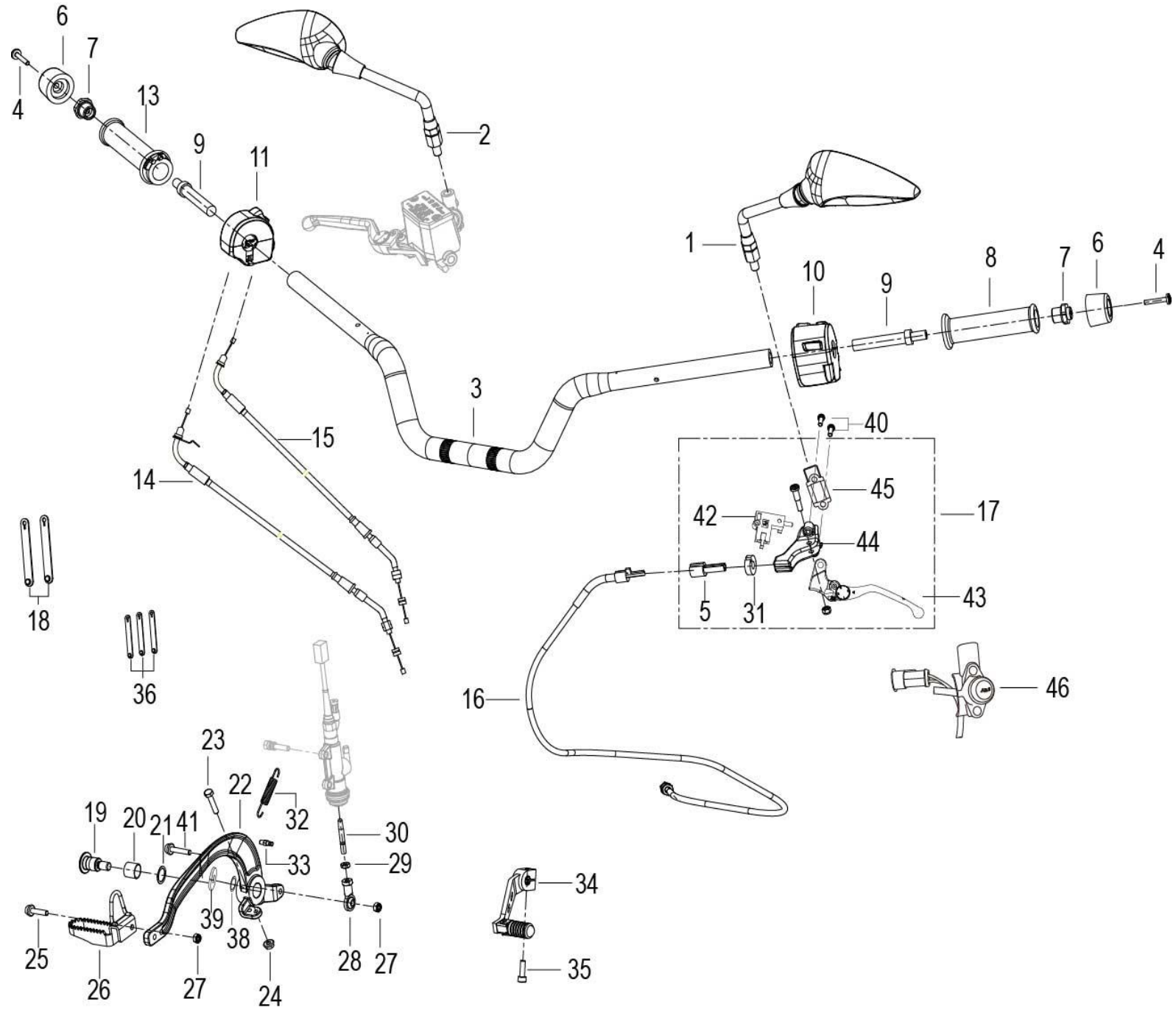


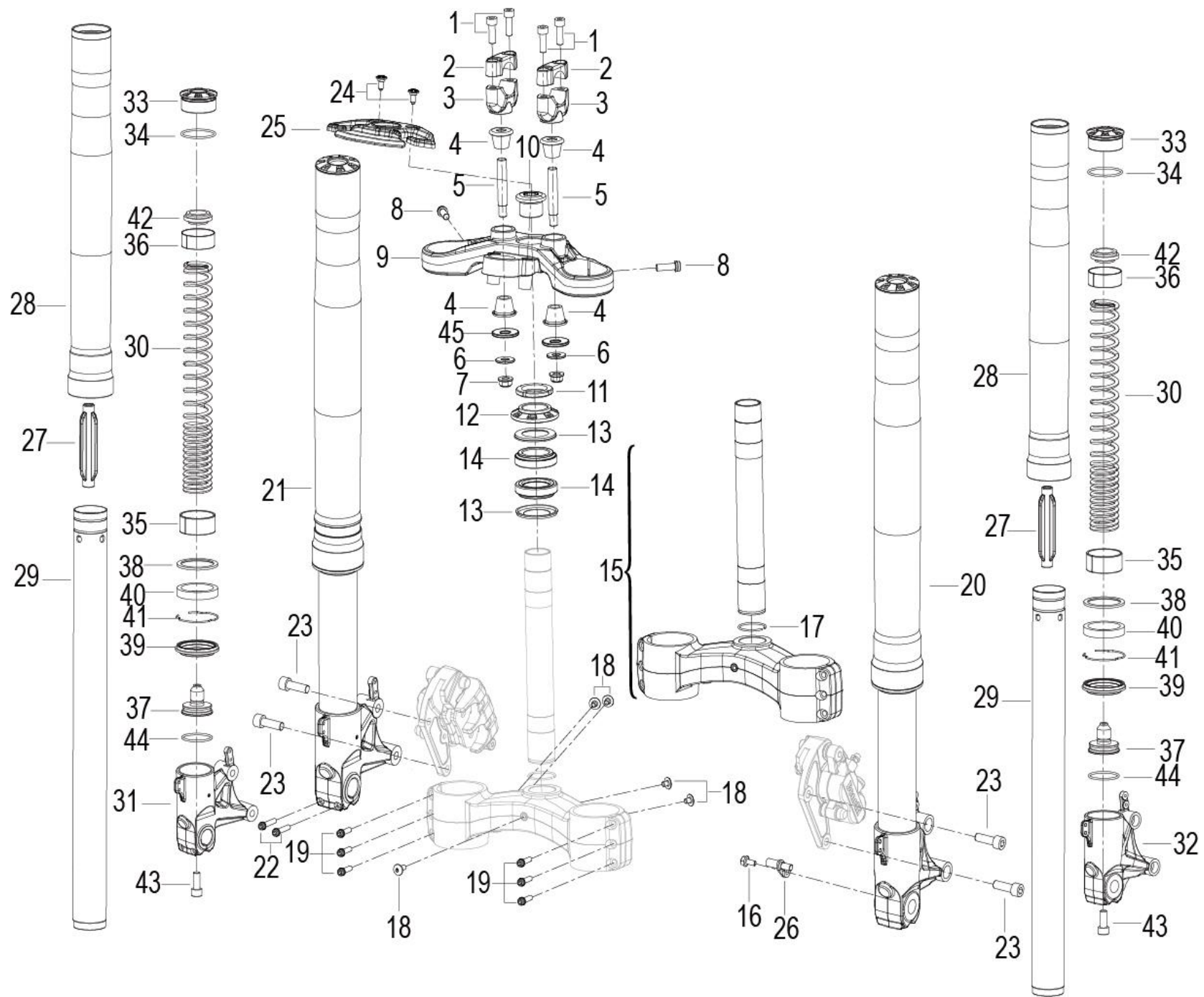
F01 操纵 CONTROL ASSY.



POSITION NO.	CODE	CN DESCRIPTION	EN DESCRIPTION	QTY/UNIT	REMARKS
F01-01	40450P160000	左后视镜组件(TRK标记)	LEFT VIEW MIRROR ASSY,MARK:TRK	1	
F01-02	40480P160000	右后视镜组件(TRK标记)	REAR VIEW MIRROR ASSY,MARK:TRK	1	
F01-03	40101P260002	方向把	HANDLEBAR ASSY	1	
F01-04	B0284060400A	不锈钢螺钉M6×40	SCREW M6×40	2	
F01-05	40086K010000	调节螺管	SPIRAL TUBE,ADJUSTING	1	
F01-06	40031P160000	平衡块	GRIP END	2	
F01-07	40032P250000	平衡块安装座	GRIP END MOUNTING SEAT	2	
F01-08	40001P160000	左方向把套	LEFT HANDLEBAR GRIP	1	
F01-09	40031S010000	平衡块	GRIP END	2	
F01-10	40500P370002	左组合开关	LEFT HANDLEBAR SWITCH	1	
F01-11	40600P370004	右组合开关	RIGHT HANDLEBAR SWITCH,	1	
F01-13	40210P160000	右握把组件	RIGHT HANDLEBAR GRIP	1	
F01-14	40300P160003	油门线组件I	THROTTLE CABLE ASSY I	1	
F01-15	40330P160003	油门线组件II	THROTTLE CABLE ASSY II	1	
F01-16	40400P160002	离合器线组件	CLUTCH CABLE ASSY	1	
F01-17	40080P160102	离合器手柄组件(无固定盖)	CLUTCH LEVER ASSY	1	
F01-18	40023P250000	方向把软线夹	RUBBER CLIP	2	
F01-19	40706P250001	后刹车踏杆安装螺钉	SCREW	1	
F01-20	58511S010000	自润滑衬套	SELF-LUBRICATING BUSHINGS	1	
F01-21	58216S010000	垫片	WASHER	1	
F01-22	40712P160001	刹车踏杆	BRAKE PEDAL ASSY	1	
F01-23	B0101060352H	螺栓M6×35	BOLT M6×35	1	
F01-24	B0407060005H	螺母M6	NUT M6	1	
F01-25	B01820602562	螺栓M6×25-8.8-ZG	BOLT M6×25-8.8-ZG	1	
F01-26	40720V300100	刹车踏板安装座	MOUNTING BRACKET	1	
F01-27	B04810600052	螺母M6×1	NUT M6×1	2	
F01-28	40283S010000	节头M6	BRAKE PEDAL JOINT M6	1	

POSITION NO.	CODE	CN DESCRIPTION	EN DESCRIPTION	QTY/UNIT	REMARKS
F01-29	B04800600052	螺母M6-8-ZG	NUT M6-8-ZG	1	
F01-30	55061P120000	脚泵柱塞螺杆	BRAKE PUSH ROD	1	
F01-31	40087K010000	开槽螺母	SLOTTED NUT	1	
F01-32	40702P160000	刹车拉簧	REAR BRAKE RETURN SPRING	1	
F01-33	40273P250000	上部弹簧销	UPPER SPRING DOWEL	1	
F01-34	08370P160001	换挡踏杆组件	SHIFT PEDAL ASSY	1	
F01-35	B02810602062	螺钉M6x1x20	SCREW M6x1x20	1	
F01-36	49371T620000	截止阀软线夹	RUBBER BAND	3	
F01-38	58216S010000	垫片	WASHER	1	
F01-39	B0702000060H	垫圈6	WASHER 6	1	
F01-40	B02810603062	螺栓M6x30	SCREW M6x30	2	
F01-41	160106030130	螺栓M6x30	BOLT M6x30	1	
F01-42	91090P250000	离合开关组件(L型)	CLUTCH SWITCH	1	
F01-43	41080P160101	离合器手柄组件(配L型离合器开关)黑色	CLUTCH LEVER,BLACK	1	
F01-44	40081P250001	离合器手柄座(配L型离合器开关)	LEVER HOLDER	1	
F01-45	40082P250000	左把手座后体	REAR VIEW MIRROR MOUNT	1	
F01-46	91190P16000A	ABS开关总成 (左)	ABS SWITCH	1	

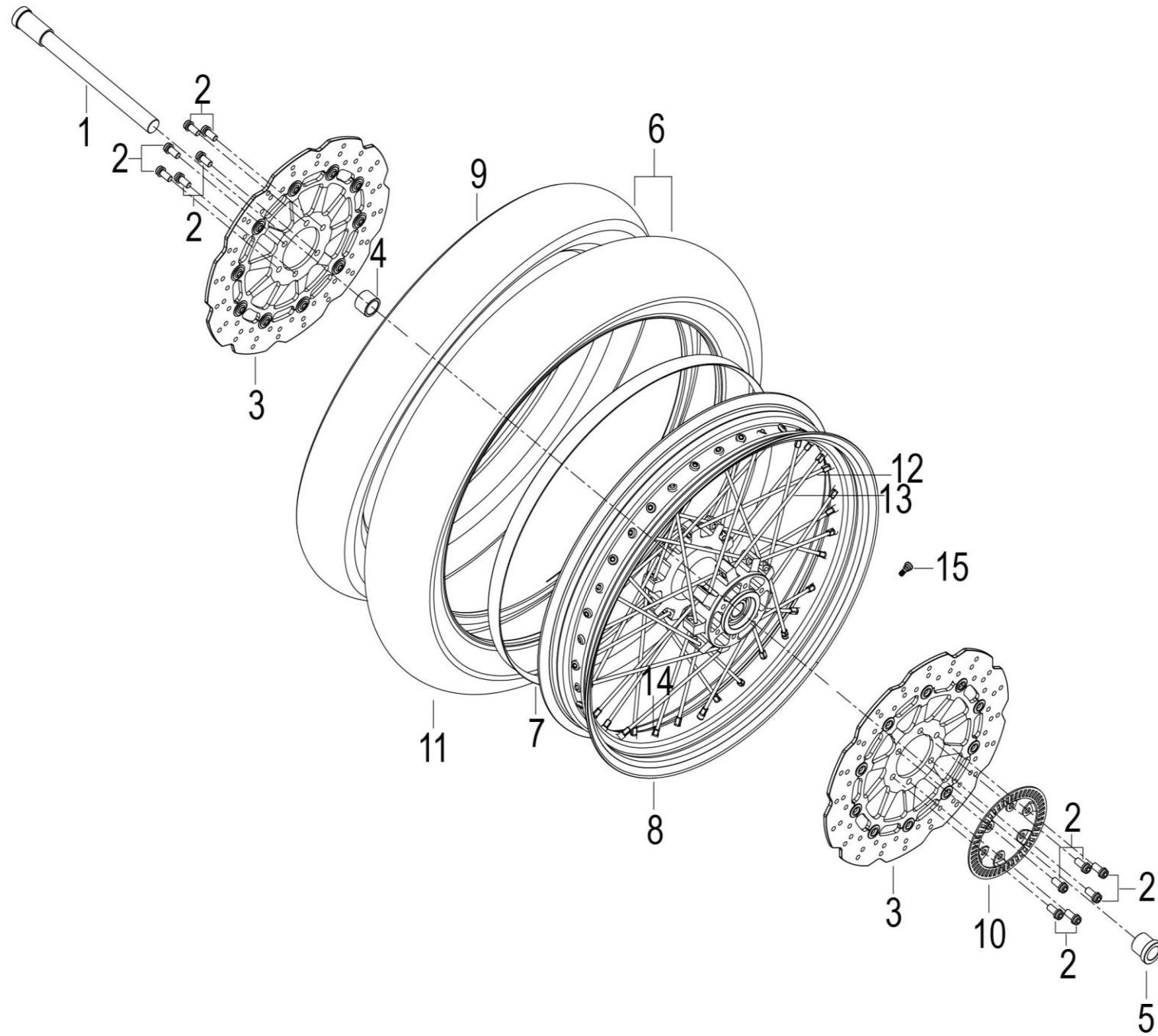
F02 前叉 FRONT FORK ASSY.



POSITION NO.	CODE	CN DESCRIPTION	EN DESCRIPTION	QTY/UNIT	REMARKS
F02-01	B0281080256H	螺栓M8×1.25×25	BOLT M8×1.25×25	4	
F02-02	43013P010101	上把手定位器	UPPER HANDLEBAR HOLDER	2	
F02-03	43014P010100	下把手定位器	LOWER HANDLEBAR HOLDER	2	
F02-04	47015P010010	消音塞	DAMPER	4	
F02-05	40086P010002	把手定位双头螺柱	HANDLEBAR STUD	2	
F02-06	40089P010100	把手定位垫片	HANDLEBAR DOWEL WASHER φ10.2×φ24.9×2.5	2	
F02-07	B04821012552	自锁螺母M10×1.25	SELF-LOCKING NUT M10×1.25	2	
F02-08	B0281080256H	螺栓M8×1.25×25	BOLT M8×1.25×25	2	
F02-09	43011P160000	上联板	UPPER BRACKET	1	
F02-10	43049P250000	上联板紧固螺钉	STEERING STEM NUT	1	
F02-11	43008S010010	上联板紧固螺母	STEERING STEM HEAD NUT	1	
F02-12	43009P260000	螺母	STEERING STEM NUT	1	
F02-13	43005S010000	防尘圈	DUST SEAL	2	
F02-14	43130S010000	转向轴承	STEER BEARING	2	
F02-15	43100P160000	下联板组件	LOWER BRACKET ASSY	1	
F02-16	B02810601262	螺钉M6×12-8.8-ZG	SCREW M6×12-8.8-ZG	1	
F02-17	43103S010000	防松环	LOCKING RING	1	
F02-18	B02830600862	螺栓M6×8	BOLT M6×8	5	
F02-19	B02810602562	螺钉M6×25-8.8-ZG	SCREW M6×25-8.8-ZG	6	
F02-20	43200P160101	前左减震器组件	FRONT LEFT SHOCK ABSORBER ASSY.	1	
F02-21	43300P160101	前右减震器组件	FRONT RIGHT SHOCK ABSORBER ASSY.	1	
F02-22	B02810603062	螺栓M6×30	BOLT M6×30	2	
F02-23	B0205100306H	内六角螺钉M10×30	SCREW M10×30	4	
F02-24	B0284060200A	螺钉M6×20	SCREW M6×20	2	
F02-25	43012P160000	上联板装饰板	UPPER BRACKET DECORATE COVER	1	
F02-26	45710P250000	ABS前轮轮速传感器	FRONT WHEEL ROTATION SENSOR	1	
F02-27	43609P180000	弹簧导向	SPRING GUIDE	2	
F02-28	43201P160100	外管	DAMPER OUTER TUBE	2	

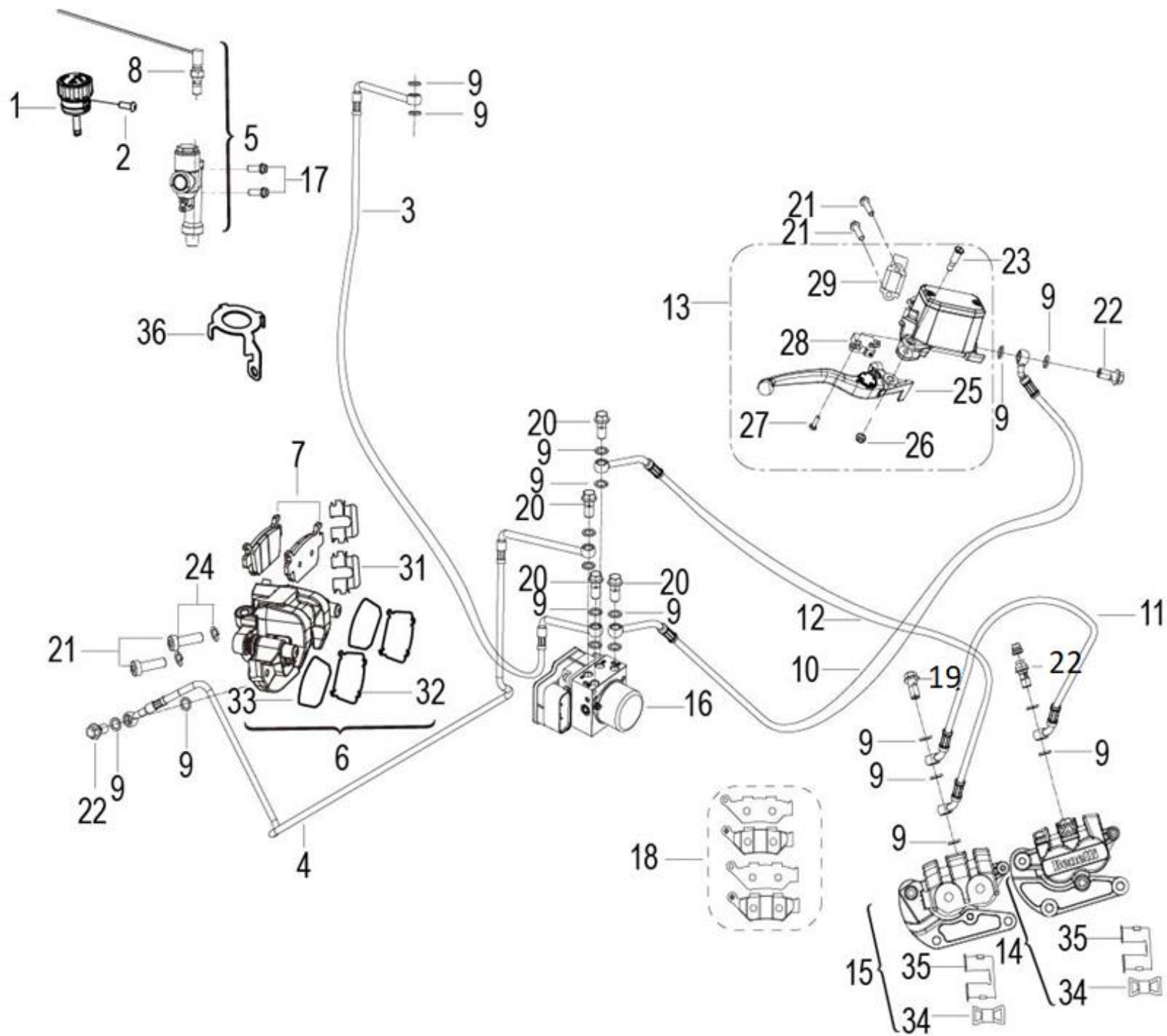
POSITION NO.	CODE	CN DESCRIPTION	EN DESCRIPTION	QTY/UNIT	REMARKS
F02-29	43231P160001	内管	DAMPER INNER TUBE	2	
F02-30	43202P180002	减震弹簧	DAMPING SPRING	2	
F02-31	43321P160001	右安装座	RIGHT MOUNTING BRACKET	1	
F02-32	43221P160001	左安装座	LEFT MOUNTING BRACKET	1	
F02-33	43204P160000	螺栓	BOLT	2	
F02-34	B190104870B0	O型圈48.7x2.65	O RING 48.7x2.65	2	
F02-35	43212P300000	外管导向套	DAMPER OUTER TUBE GUIDE BUSH	2	
F02-36	43239P010000	内管导向套	DAMPER INNER TUBE GUIDE BUSH	2	
F02-37	43681P160000	底阀	BOTTOM VALVE	2	
F02-38	43521P010000	油封垫片	OIL SEAL WASHER	2	
F02-39	43290P250000	防尘圈组件	DUST SEAL ASSY	2	
F02-40	43260P250000	油封组件	OIL SEAL	2	
F02-41	43523P010000	油封挡圈	OIL SEAL CLIP	2	
F02-42	43503P300001	弹簧座	SPRING SEAT	2	
F02-43	B02051002553	螺栓M10x25	BOLT M10x25	2	
F02-44	B190104100B0	O型圈Φ41xΦ2.65	O RING Φ41xΦ2.65	2	
F02-45	08021P250000	单撑安装垫圈	WASHER	2	

F03 前轮 FRONT WHEEL ASSY.



POSITION NO.	CODE	CN DESCRIPTION	EN DESCRIPTION	QTY/UNIT	REMARKS
F03-01	44004P160100	前轮轴	FRONT WHEEL AXLE	1	
F03-02	B02810802062	螺栓M8×1.25×20	BOLT M8×1.25×20	12	
F03-03	45030P180000	前制动盘组件	FRONT BRAKE DISC	2	
F03-04	44016P100100	前轮右衬套	FRONT WHEEL RIGHT COLLAR	1	
F03-05	44005P160100	前轮左衬套	FRONT WHEEL LEFT COLLAR	1	
F03-07	54013N020000	内胎垫带	RIM STRIP	1	
F03-08	44100P160000	前轮圈组件	FRONT RIM ASSY	1	
F03-09	B140206E1900	内胎110/80 R19	TUBE 110/80 R19	1	
F03-10	45702P250000	前轮速齿圈	ABS GEAR RING,FRONT WHEEL	1	
F03-11	B141106E1900	外胎110/80 R19	TIRE 110/80 R19	1	
F03-12	44011P160000	前轮外侧辐条	FRONT WHEEL OUTER SPOKE	18	
F03-13	44012P160000	前轮内侧辐条	FRONT WHEEL INNER SPOKE	18	
F03-14	44014P160000	条母	NIPPLE	36	

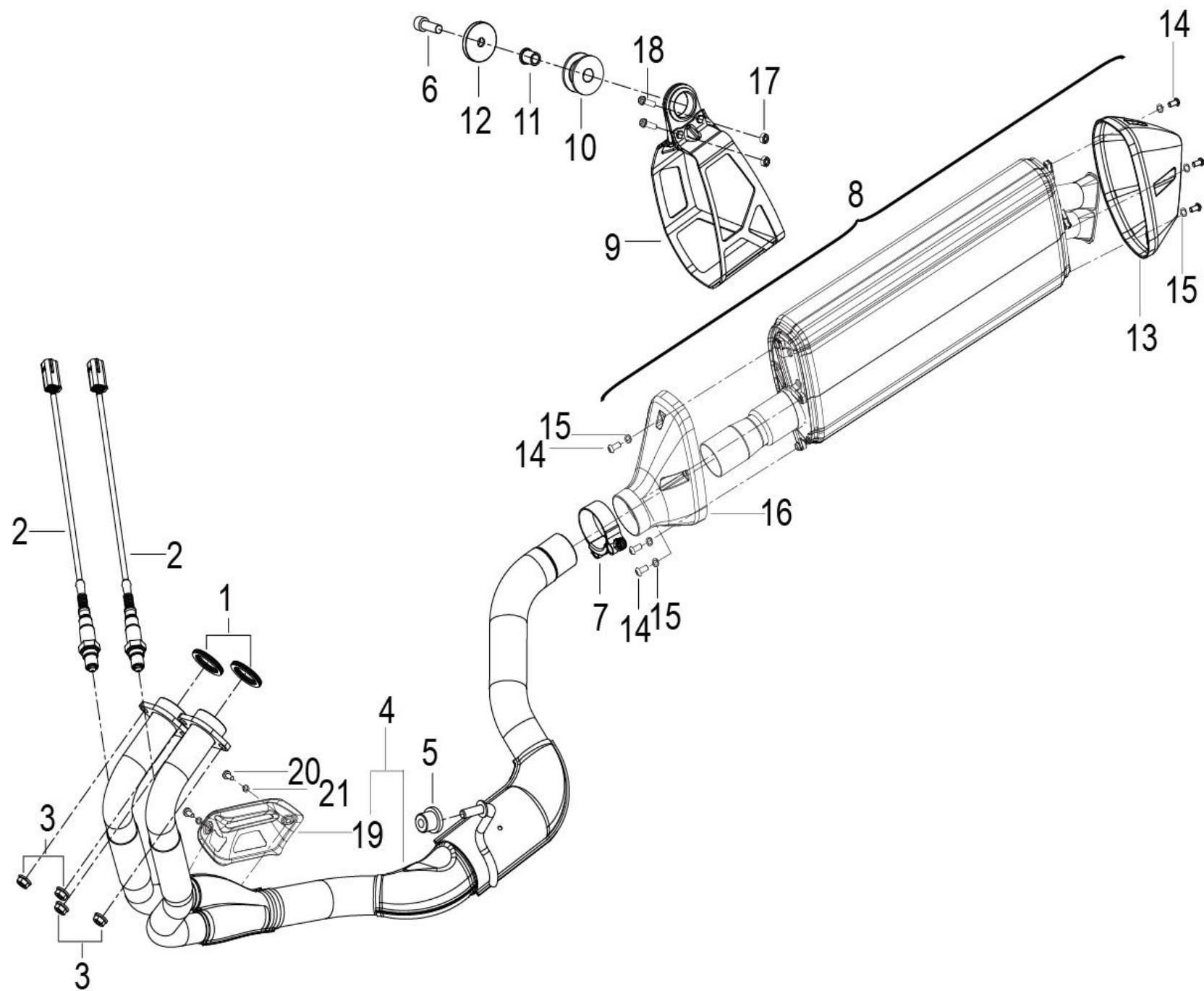
F04 前液刹 FRONT DISK BRAKE ASSY.



POSITION NO.	CODE	CN DESCRIPTION	EN DESCRIPTION	QTY/UNIT	REMARKS
F04-01	55140P260000	油杯组件	OIL CUP ASSY.	1	
F04-02	08012P160000	不锈钢螺栓M5×16	BOLT M5×16	1	
F04-03	55240P160001	后液刹油管总成 I (防错)	REAR BRAKE HOSE ASSY.I,NEW	1	
F04-04	55270P160001	后液刹油管总成II(防错)	REAR BRAKE HOSE ASSY.II,NEW	1	
F04-05	55400P16000A	后油泵体组件	BRAKE FLUID RESERVOIR	1	
F04-06	55500P100040	后制动缸组件	REAR BRAKE CALIPER	1	
F04-07	55110P100001	后摩擦片组件(霍克)	REAR BRAKE PADS (2PCS/PACK)	1	
F04-08	55300P180000	后液刹开关(防水插件)	REAR BRAKE SWITCH	1	
F04-09	45078P300000	垫圈	WASHER	19	
F04-10	45240P160002	前液刹油管总成I(防错)	FRONT BRAKE HOSE ASSY.I,NEW	1	
F04-11	45250P160001	前制动软管总成III	FRONT BRAKE HOSE ASSY,III	1	
F04-12	45270P160001	前液刹油管总成II(防错)	FRONT BRAKE HOSE ASSY.II,NEW	1	
F04-13	45400P250114	前油泵体组件	FRONT MASTER CYLINDER	1	
F04-14	45500P180001	前左制动缸组件	FRONT LEFT BRAKE CALIPER	1	
F04-15	45600P180001	前右制动缸组件	FRONT RIGHT BRAKE CALIPER	1	
F04-16	45700P160000	双通道ABS总成	ABS	1	
F04-18	45110P180000	制动蹄块组件(4片甲乙各2片)	FRONT BRAKE PADS (4PCS/PACK)	1	
F04-19	45038P150000	六角法兰面螺栓	BRAKE HOSE BANJO BOLT	1	
F04-20	55037P250100	ABS油管螺栓M10×1.0×30	ABS HOSE BANJO BOLT	4	
F04-21	B0281080256H	螺栓M8×1.25×25	BOLT M8×1.25×25	4	
F04-22	45037J000000	六角法兰螺栓	SCREW	3	
F04-23	45024P300000	手柄固定螺栓	BRAKE LEVER PIVOT SCREW	1	
F04-24	B0700000080H	弹垫8	SPRING WASHER 8	2	
F04-25	45020P360000	前液刹手柄组件	FRONT BRAKE LEVER	1	
F04-26	B0417060004H	螺母M6	NUT M6	1	
F04-27	B0204040122H	螺钉M4×12	SCREW M4×12	1	
F04-28	45300P360000	前制动开关组件	FRONT BRAKE SWITCH	1	

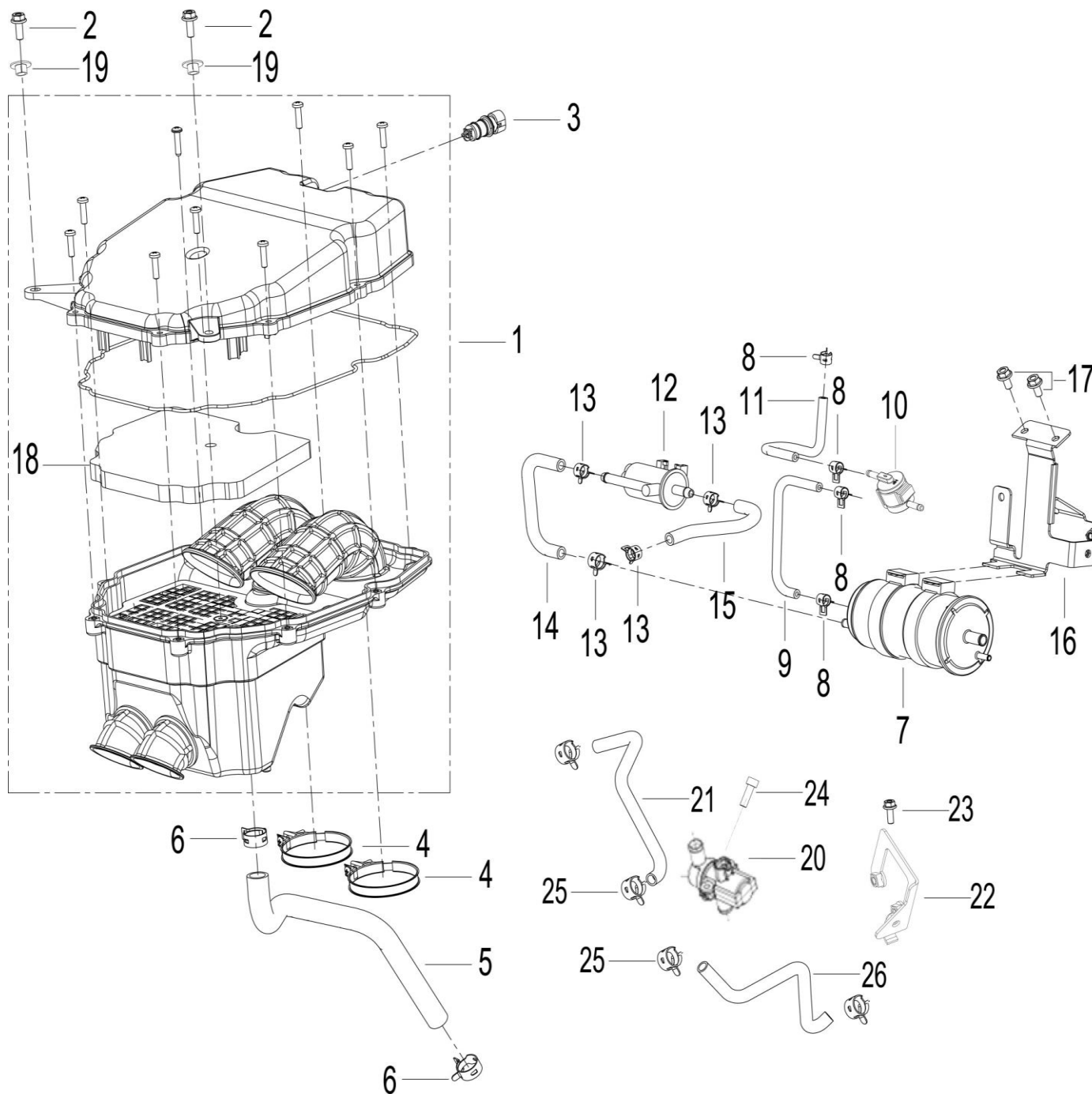
POSITION NO.	CODE	CN DESCRIPTION	EN DESCRIPTION	QTY/UNIT	REMARKS
F04-29	45023P250000	固定盖	FRONT BRAKE MASTER CYLINDER HOLDER	1	
F04-31	55018P100000	弹簧片(后液刹)	PADS HOLDER	2	
F04-32	55099P100000	填隙片(后液刹)	PADS WASHER	2	
F04-33	55098P100000	后刹隔热片(后液刹)	HEAT RESISTING PLATE	2	
F04-34	45011P180000	弹簧片	FRONT BRAKE PADS HOLDER	2	
F04-35	55078S070000	轭簧	YOKE SPRING	2	
F04-36	57041V030001	油杯防拆盖	TAMPER BRACKET	1	

F05 消声器 MUFFLER ASSY.



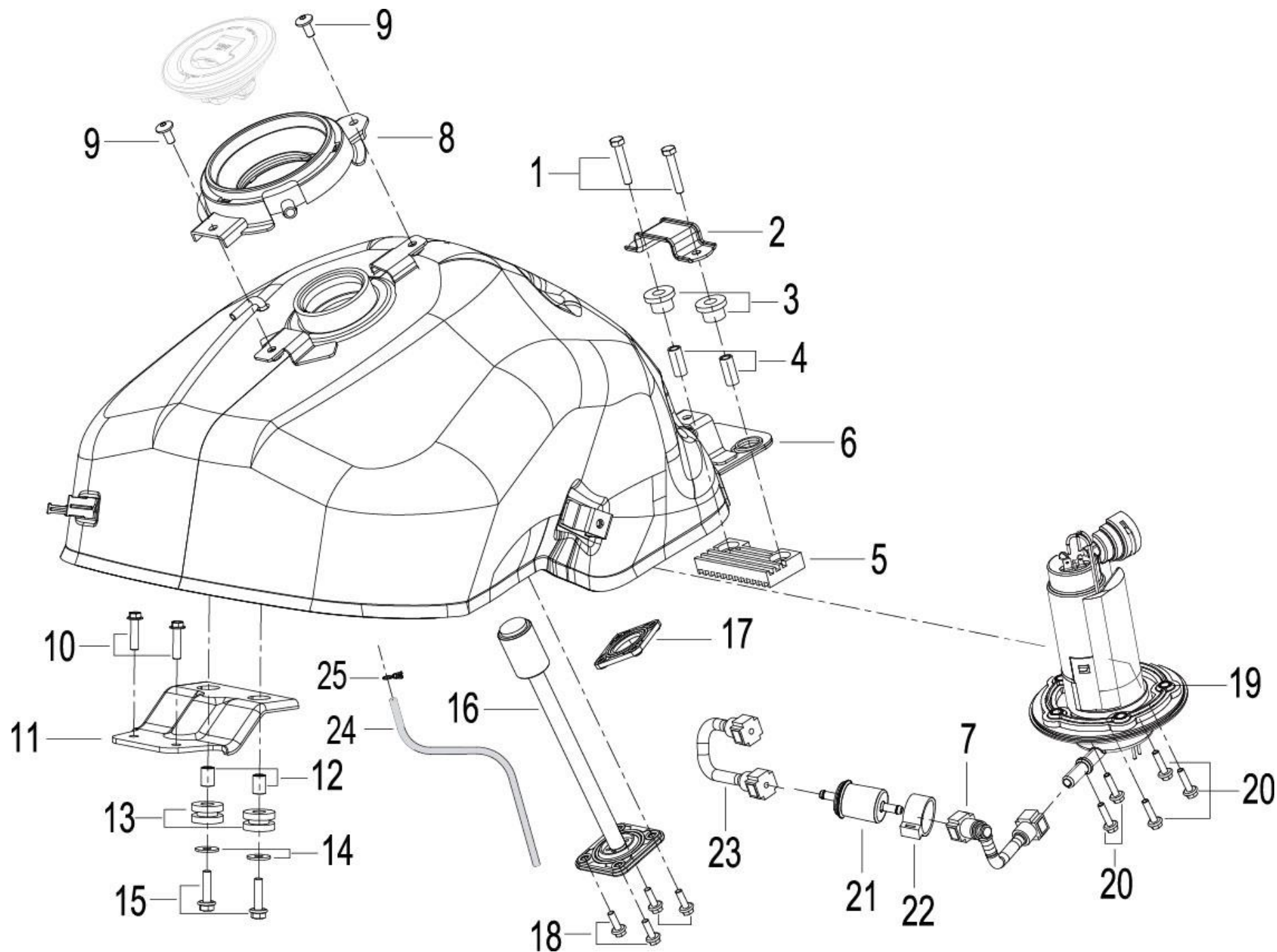
POSITION NO.	CODE	CN DESCRIPTION	EN DESCRIPTION	QTY/UNIT	REMARKS
F05-01	47800P250000	排气管衬垫组件	EXHAUST PIPE GASKET ASSY	2	
F05-02	319026280000	氧传感器	OXYGEN SENSOR	2	
F05-03	B0407080005H	螺母M8	NUT M8	4	
F05-04	47500P160012	排气管组件	EXHAUST PIPE ASSY	1	
F05-05	47026P160000	消音器缓冲橡胶	SILENCER BUFFER RUBBER	1	
F05-06	B0205100406H	内六角螺钉M10×40	SCREW M10×40	1	
F05-07	47830P160000	卡箍组件	CLAMP ASSY.	1	
F05-08	47200P160203	消声器筒体组件	MUFFLER ASSY	1	
F05-09	47830P160002	抱箍组件	CLAMP ASSY.	1	
F05-10	47027P160000	筒体缓冲橡胶	CYLINDER CUSHION RUBBER	1	
F05-11	47028P160000	筒体缓冲衬套	CARTRIDGE CUSHION BUSHING	1	
F05-12	47029P160000	装饰盖	DECORATING COVER	1	
F05-13	47781P160004	后装饰罩组件	REAR DECORATING COVER	1	
F05-14	B0218060126L	内六角平圆头螺钉M6×12	SCREW M6×12	6	
F05-15	B0700000060A	弹簧垫圈φ6	SPRING WASHER	6	
F05-16	47761P160004	前装饰罩组件	FRONT DECORATING COVER	1	
F05-17	B04810600052	螺母M6×1	NUT M6×1	2	
F05-18	B02810602062	螺钉M6×1×20	SCREW M6×1×20	2	
F05-19	47761P160001	前装饰罩	FRONT DECORATIVE COVER	1	
F05-20	B0218060106A	内六角螺钉M6X10	SCREW M6X10	2	
F05-21	B0700000060A	弹簧垫圈φ6	SPRING WASHER φ6	2	

F06 空濾器 AIR CLEANER ASSY.



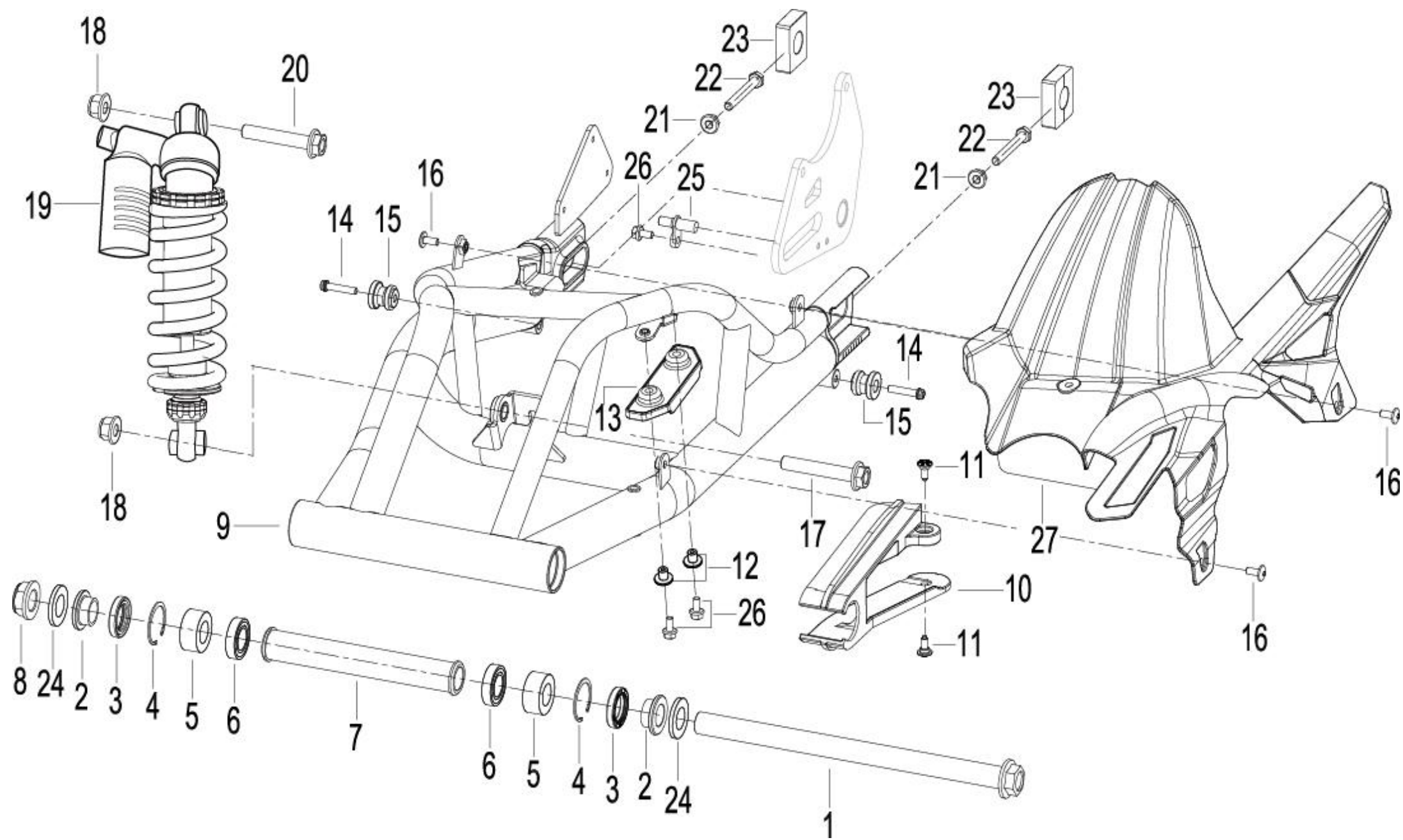
POSITION NO.	CODE	CN DESCRIPTION	EN DESCRIPTION	QTY/UNIT	REMARKS
F06-01	49100P160000	空滤器组件	AIR FILTER ASSY	1	
F06-02	B0109060166H	螺栓M6×16	BOLT M6×16	2	
F06-03	310015040000	进气温度传感器	INTAKE AIRTEMPERATURE SENSOR	2	
F06-04	49016N070001	不锈钢卡箍40-60	STAINLESS STEEL CLIP 40 - 60	2	
F06-05	49025P100000	废气回收管	EXHAUST GAS RECIRCULATION TUBEbe	1	
F06-06	49805J000000	耐热管卡箍	PLATE CLAMP Φ18.5×10×1	2	
F06-07	49912K670000	碳罐组合	CARBON CANISTER	1	
F06-08	50306T450010	板式卡箍	PLATE CLAMP φ8	4	
F06-09	B16010425951	油管4×8×595(55065T030000)	PIPE 4×8×595	1	
F06-10	50260T730003	倾倒阀组件	VEHICLE DOWN SENSOR	1	
F06-11	B16010422901	油管4×8×290(55065T030000)	PIPE 4×8×290	1	
F06-12	49710N070000	碳罐电磁阀	VALVE EGR/SOLENOID VALVE	1	
F06-13	50307J140302	板式卡箍	PLATE CLAMP φ10	4	
F06-14	49922P160000	碳罐与电磁阀连接管	CANISTER&VALVE EGR PIPE	1	
F06-15	49923P160000	电磁阀与节流阀体连接管	VALVE EGR&THROTTLE BODY	1	
F06-16	57050P160000	碳罐安装板焊接组件	CANISTER FIXING BOARD	1	
F06-17	B0109060126H	螺栓M6×12	BOLT M6×12	2	
F06-18	49202P160000	滤芯	AIR CLEANER FILTER	1	
F06-19	82015S010010	衬套H6	BUSH H6	2	

F07 燃油箱 FUEL TANK ASSY.



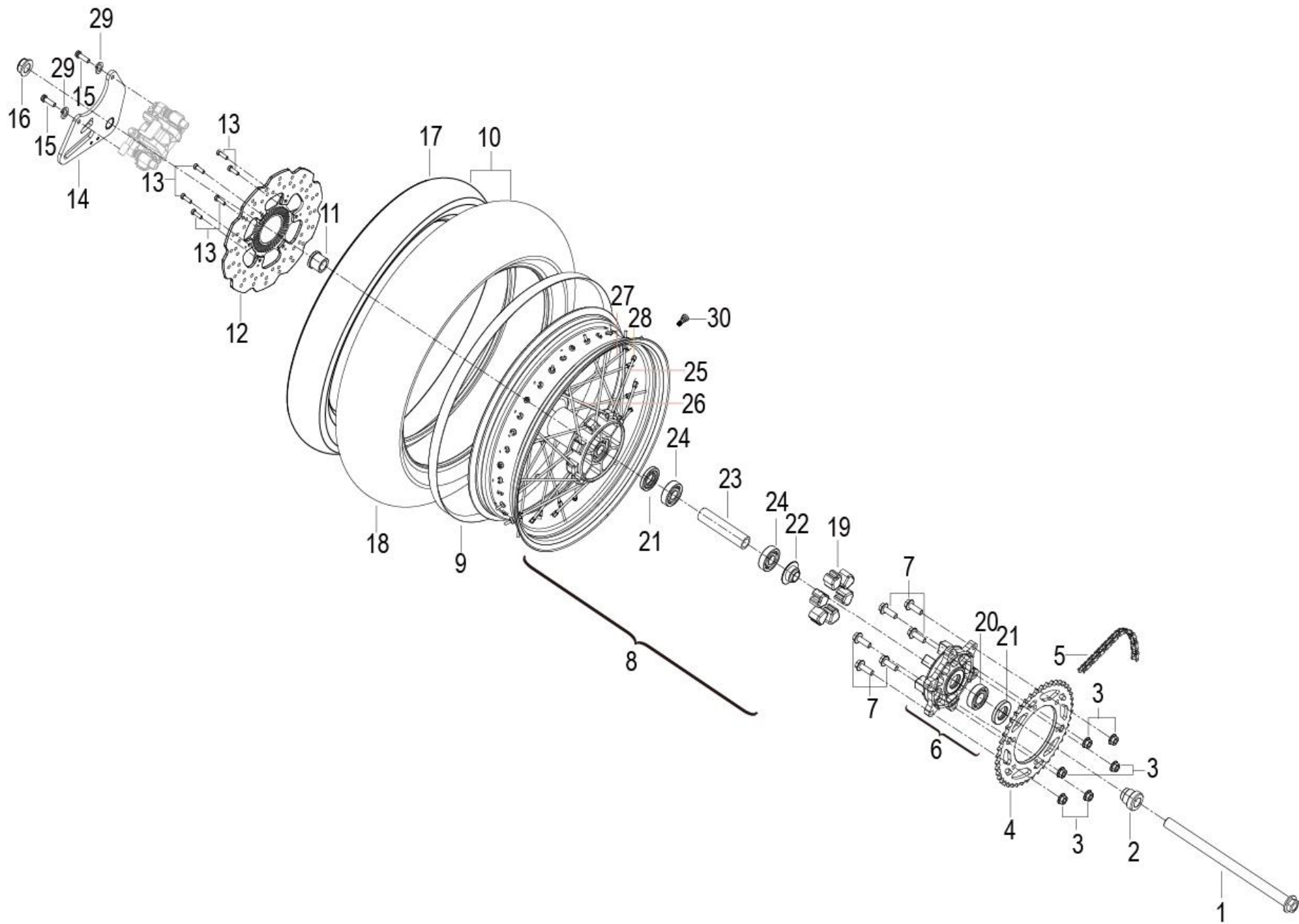
POSITION NO.	CODE	CN DESCRIPTION	EN DESCRIPTION	QTY/UNIT	REMARKS
F07-01	B0281060356H	螺钉M6×35	SCREW M6×35	2	
F07-02	50138K980000	座垫前安装座	MOUNTING SEAT ASSY., SEAT	1	
F07-03	50222J000001	橡胶套	RUBBER SLEEVE	2	
F07-04	50221J000101	油箱安装轴套	FUEL TANK MOUNTING COLLAR	2	
F07-05	50006K980000	油箱垫板	RUBBER MAT	1	
F07-06	50100P160000	油箱体组件	FUEL TANK ASSY.	1	
F07-07	50360P160000	橡胶油管组件 I	FUEL PIPE ASSY I	1	
F07-08	65679V020000	油箱锁安装板	FUEL TANK LOCK FIXING BOARD	1	
F07-09	B0283060146H	螺钉M6×14	SCREW M6×14	2	
F07-10	B0109060166H	螺栓M6×16	BOLT M6×16	2	
F07-11	50027P160000	油箱前安装板	FUEL TANK FRONT FIXING BOARD	1	
F07-12	50014P250010	橡胶垫衬管	FUEL TANK MOUNTING COLLAR	2	
F07-13	50005P250000	油箱前安装垫	RUBBER CUSHION	2	
F07-14	B0702000060H	垫圈6	WASHER 6	2	
F07-15	B01820602562	螺栓M6×25-8.8-ZG	BOLT M6×25-8.8-ZG	2	
F07-16	50800P160002	油位传感器组件	FUEL LEVEL SENSOR ASSY	1	
F07-17	50808P250010	燃油传感器橡胶垫	FUEL LEVEL SENSOR SEAL RING	1	
F07-18	B0109050166H	螺栓M5×16	BOLT M5×16	4	
F07-19	50400P160000	燃油泵总成(洛卡特)	FUEL PUMP ASSY.	1	
F07-20	B0109050206H	螺栓M5×20	BOLT M5×20	5	
F07-21	50340N070000	过滤器组件	FUEL FILTER	1	
F07-22	50391N070010	过滤器护套	FUEL FILTER JACKET	1	
F07-23	50090P160000	高压油管组件Ⅲ	FUEL PIPE ASSY III	1	
F07-24	B160107C6001	下水管11×7×1260 (55065E070000)	PIPE 11×7×1260	1	
F07-25	B17010105003	钢丝卡箍Φ10.5	CLIP Φ10.5	1	

F08 后摆臂 ARM AFTER ASSY.



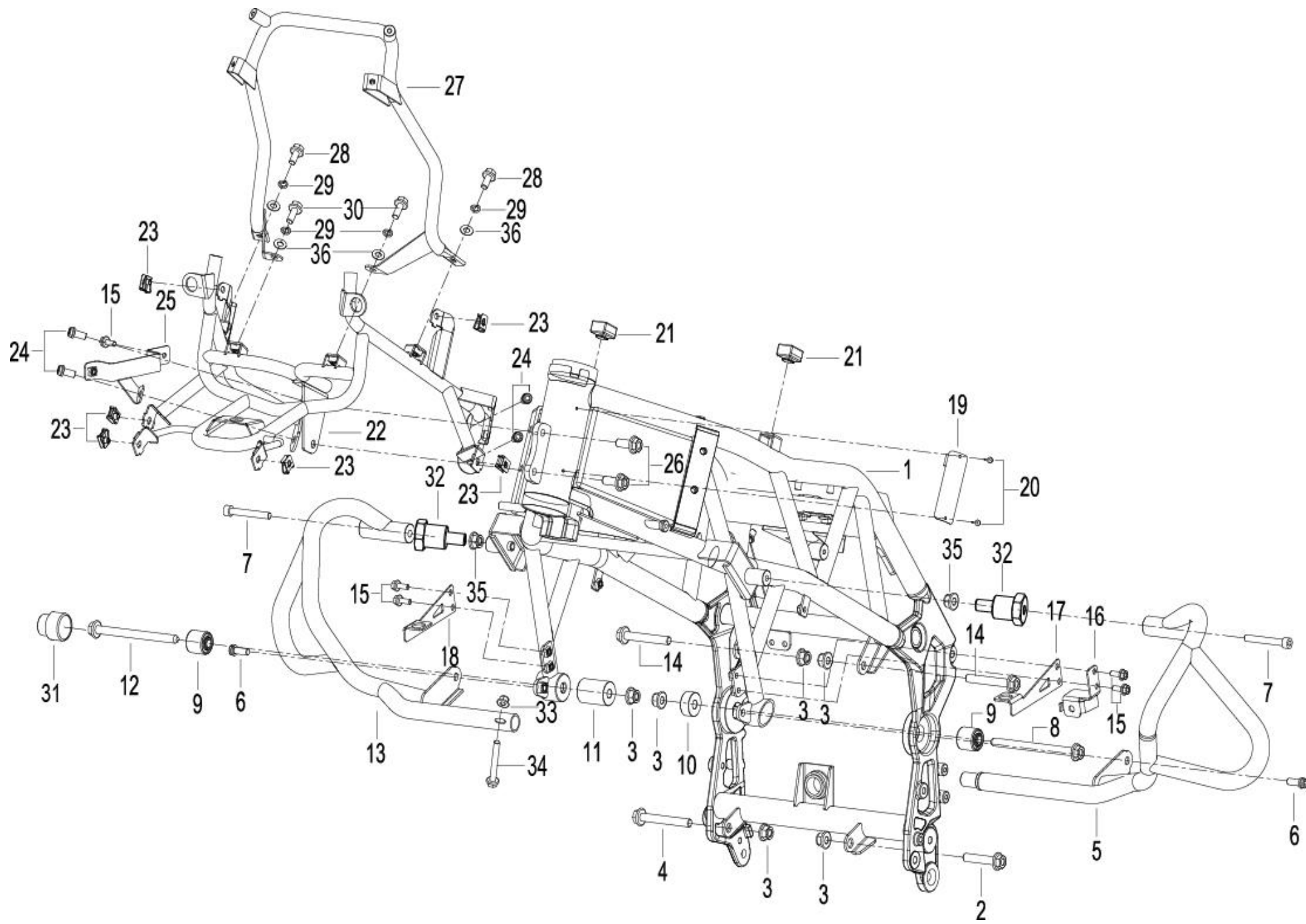
POSITION NO.	CODE	CN DESCRIPTION	EN DESCRIPTION	QTY/UNIT	REMARKS
F08-01	53001P160100	后摆臂轴	REAR SWING ARM PIVOT SHAFT M20x1.5x314	1	
F08-02	53006P100100	后摆臂外隔套	REAR SWING ARM SPACER	2	
F08-03	53220P100000	唇形密封圈组件25x37x7	SEAL RING ASSY 25x37x7	2	
F08-04	B08000003701	孔用弹性挡圈φ37	CIRCLIP φ37	2	
F08-05	B1210H490400	滚针轴承NA4904	NEEDLE BEARING NA4904	2	
F08-06	B12016190400	滚动轴承61904-2RS	BALL BEARING61904-2RS	2	
F08-07	53005P100100	后摆臂中间轴套	REAR SWING ARM MIDDLE SHAFT SLEEVE	1	
F08-08	08051P100100	自锁螺母M20x1.5	NUT M20x1.5	1	
F08-09	53100P160101	后摆臂焊接组件(磨砂黑)	REAR SWING ARM ASSY,BLACK	1	
F08-10	53004P100000	链条防护块	CHAIN SHIELD BLOCK	1	
F08-11	B0284060150A	螺钉M6x15.2	SCREW M6x15.2	4	
F08-12	58307B450000	固定隔套	SPACER	2	
F08-13	53018P100000	链条上限位块	UPPER CHAIN LIMITED BLOCK	1	
F08-14	B02810603062	螺栓M6x30	BOLT M6x30	2	
F08-15	53021P250000	支撑套	BUSH	2	
F08-16	B0283060146H	螺钉M6x14	SCREW M6x14	3	
F08-17	08011M150002	后摆臂螺栓M12x75	BOLT M12x75	1	
F08-18	B0417121254H	自锁螺母M12x1.25	NUT M12x1.25	2	
F08-19	63800P160004	后减震器组件	REAR ABSORBER ASSY	1	
F08-20	08018P160001	后减震螺栓 I	REAR ABSORBER BOLT M12x1.25x65	1	
F08-21	B0407080005H	螺母M8	NUT M8	2	
F08-22	08002P300010	链条调节螺钉M8	SCREW M8	2	
F08-23	53231P100001	链条调节块	DRIVE CHAIN PULLER	2	
F08-24	43025J010H00	垫片	WASHER	2	
F08-25	55710P250000	ABS后轮轮速传感器	REAR WHEEL ROTATION SENSOR	1	
F08-26	B0109060166H	螺栓M6x16	BOLT M6x16	3	
F08-27	60101P160001	链罩	DRIVE CHAIN COVER	1	

F09 后轮 REAR WHEEL ASSY.



POSITION NO.	CODE	CN DESCRIPTION	EN DESCRIPTION	QTY/UNIT	REMARKS
F09-01	54004P100100	后轮轴	REAR WHEEL AXLE	1	
F09-02	54016P160001	后轮左轴套	REAR WHEEL LEFT COLLAR	1	
F09-03	B04821012552	自锁螺母M10×1.25	SELF-LOCKING NUT M10×1.25	6	
F09-04	60002P310000	链轮44齿	REAR WHEEL SPROCKET 44TH	1	
F09-05	60310P160003	链条525SX-1×116	CHAIN 525SX-1×116	1	
F09-06	60001P16000Z	链轮毂组合	REAR WHEEL DRIVE HUB	1	
F09-07	B0159100306H	螺栓M10×1.25×30	BOLT M10×1.25×30,SILVER	6	
F09-08	54100P16000Z	后轮圈组合	REAR RIM ASSY	1	
F09-09	54013P160000	内胎垫带	RIM STRIP	1	
F09-11	54005P160001	后轮右轴套	REAR WHEEL RIGHT COLLAR	1	
F09-12	55030P180001	后制动盘组件	REAR BRAKE DISC	1	
F09-13	B0282060208H	螺钉M6×20	SCREW M6×20	6	
F09-14	55401P160000	后制动钳支撑板	REAR BRAKE CALIPER MOUNTING BRACKET ASSY	1	
F09-15	B0281080256H	螺栓M8×1.25×25	BOLT M8×1.25×25	2	
F09-16	08051P100100	自锁螺母M20×1.5	NUT M20×1.5	1	
F09-17	B140210D1700	内胎150/70 R17	TUBE 150/70 R17	1	
F09-18	B141110D1700	外胎150/70 R17	TIRE 150/70 R17	1	
F09-19	54024P160000	后轮缓冲块	REAR WHEEL DRIVE HUB DAMPER	6	
F09-20	B12016020500	滚动轴承6205-2RS	BEARING 6205-2RS	1	
F09-21	54300P160000	油封组件	OIL SEAL ASSY	2	
F09-22	60006P160000	链传动轴套	REAR WHEEL AXLE SLEEVE	1	
F09-23	54006P100100	后轮中间轴套	REAR WHEEL SPACER	1	
F09-24	B12016030400	滚动轴承6304-2RS	BEARING 6304-2RS	2	
F09-25	54011P160000	后轮左外侧辐条	REAR WHEEL LEFT OUTER SPOKE	9	
F09-26	54012P160000	后轮左内侧辐条	REAR WHEEL LEFT INNER SPOKE	9	
F09-27	54033P160000	后轮右侧辐条	REAR WHEEL RIGHT SPOKE	18	
F09-28	44014P160000	条母	NIPPLE	36	
F09-29	B0700000080H	弹簧垫圈φ8	SPRING WASHER 8	2	

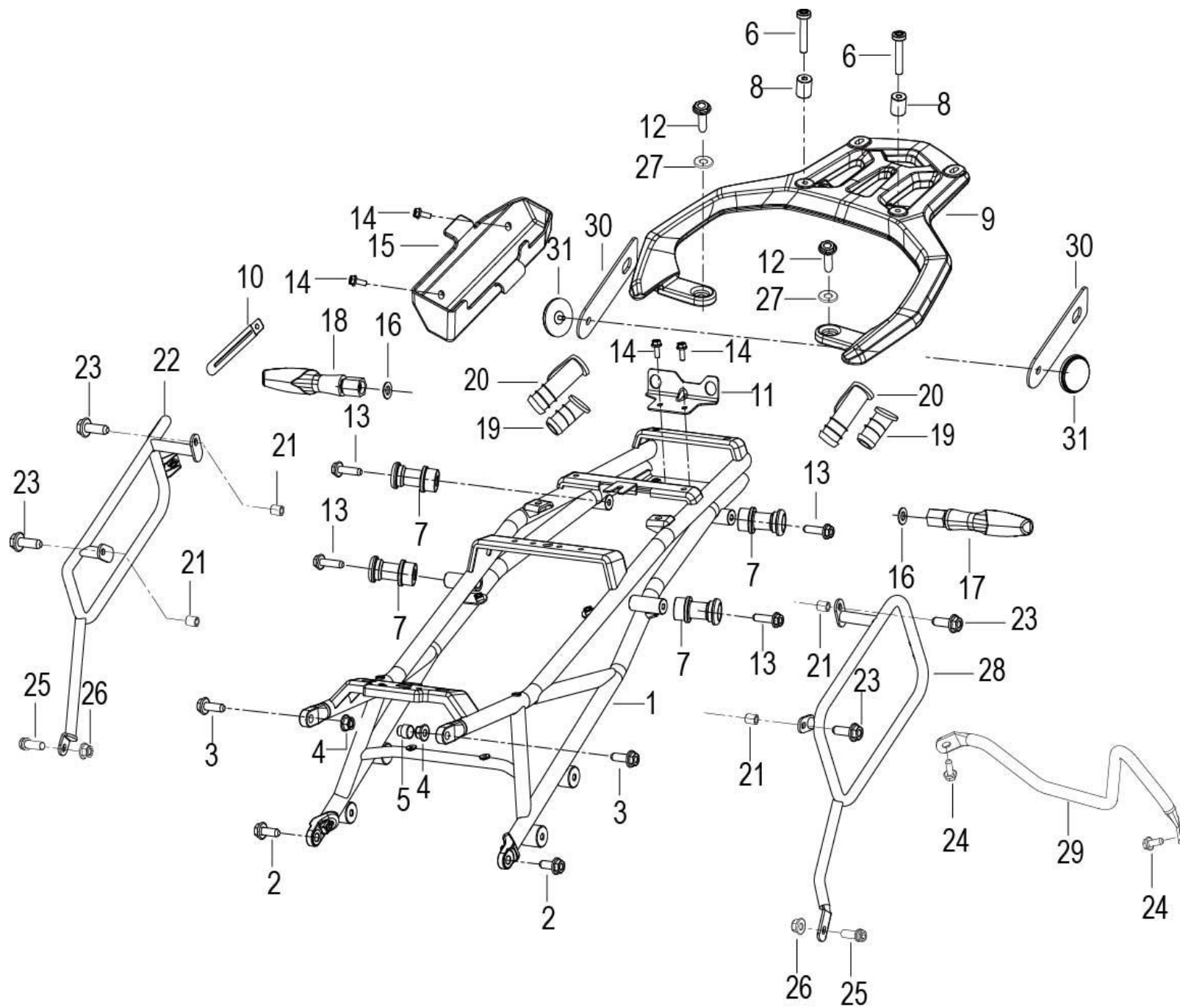
F10 前车架 FRAME ASSY.



POSITION NO.	CODE	CN DESCRIPTION	EN DESCRIPTION	QTY/UNIT	REMARKS
F10-01	57110P160102	前车架焊接组件(磨砂黑)	FRONT FRAME ASSY,BLACK	1	
F10-02	B0159100506H	螺栓M10×1.25×50	BOLT M10×1.25×50,SILVER	1	
F10-03	B0417101254H	自锁螺母M10×1.25	SELF-LOCKING NUT M10×1.25,SILVER	6	
F10-04	B01591007562	螺栓M10×1.25×75	BOLT M10×1.25×75	1	
F10-05	59110P160100	前左保险杠组件	FRONT LEFT GUARD BAR ASSY	1	
F10-06	52018J800000	后货架螺钉I M8×25	SCREW M8×25	2	
F10-07	B02050806024	内六角螺钉M8×60	SCREW M8×60	2	
F10-08	B0159101306H	螺栓M10×1.25×130	BOLT M10×1.25×130,SILVER	1	
F10-09	57060P130000	发动机前缓冲衬套组件	DAMPER	2	
F10-10	57028P160100	发动机左安装衬套	LEFT BUSH	1	
F10-11	57029P160100	发动机右安装衬套	RIGHT BUSH	1	
F10-12	B0159101256H	螺栓M10×1.25×125	BOLT M10×1.25×125	1	
F10-13	59120P160100	前右保险杠组件	FRONT RIGHT GUARD BAR ASSY	1	
F10-14	B0159100686H	螺栓M10×1.25×68	BOLT M10×1.25×68	2	
F10-15	B0109060166H	螺栓M6×16	BOLT M6×16	5	
F10-16	08100P160000	喇叭支架安装组件	HORN MOUNTING BRAKET	1	
F10-17	57041P160000	水箱左安装板	RADIATOR LEFT MOUNTING BOARD	1	
F10-18	57042P160000	水箱右安装板	RADIATOR RIGHT MOUNTING BOARD	1	
F10-20	B100432007P0	抽芯铆钉3.2×7	RIVET 3.2×7	2	
F10-21	43504E070001	缓冲块	DAMPER	2	
F10-22	59400P160100	前大罩支架焊接组件(电泳+喷塑)	BRACKET ASSY	1	
F10-23	65803S010010	卡片螺母M6	CARD NUT M6	7	
F10-24	B02810801662	螺栓M8×16	BOLT M8×16	4	
F10-25	57480P160000	膨胀水壶安装座	FIXING SEAT	1	
F10-26	B0159100206H	螺栓M10×1.25×20	BOLT M10×1.25×20	2	
F10-27	59460P16000Z	挡风玻璃支架焊接组合件	WINDLESHIELD MOUNTING BRACKET	1	
F10-28	B0109080166H	螺栓M8×16	BOLT M8×16,SILVER	2	

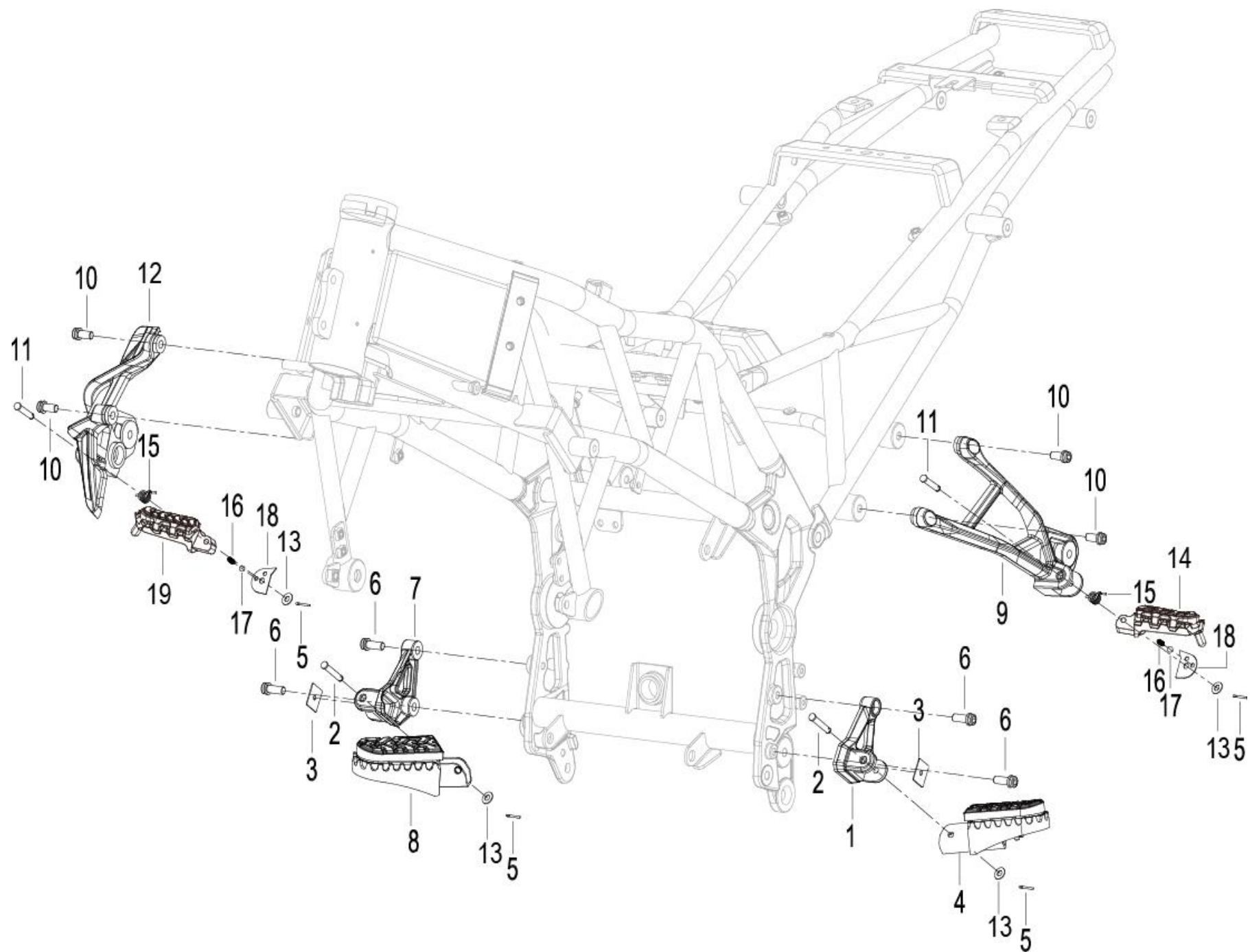
POSITION NO.	CODE	CN DESCRIPTION	EN DESCRIPTION	QTY/UNIT	REMARKS
F10-29	B0700000080H	弹簧垫圈φ8	SPRING WASHER 8	4	
F10-30	B0109080166H	螺栓M8×16	BOLT M8×16	2	
F10-31	53018P160000	支点轴护套	RUBBER	1	
F10-32	08014P160000	车架固定螺栓 I M10×17	BOLT M10×17	1	
F10-33	B0417060004H	自锁螺母M6	NUT M6	1	
F10-34	B0109060306H	螺栓M6×30	BOLT M6×30	1	
F10-35	B0417100004H	全金属六角法兰面锁紧螺母M10	NUT M10	2	
F10-36	B0703000080H	垫圈8	WASHER 8	4	

F11 后车架 FRAME ASSY.



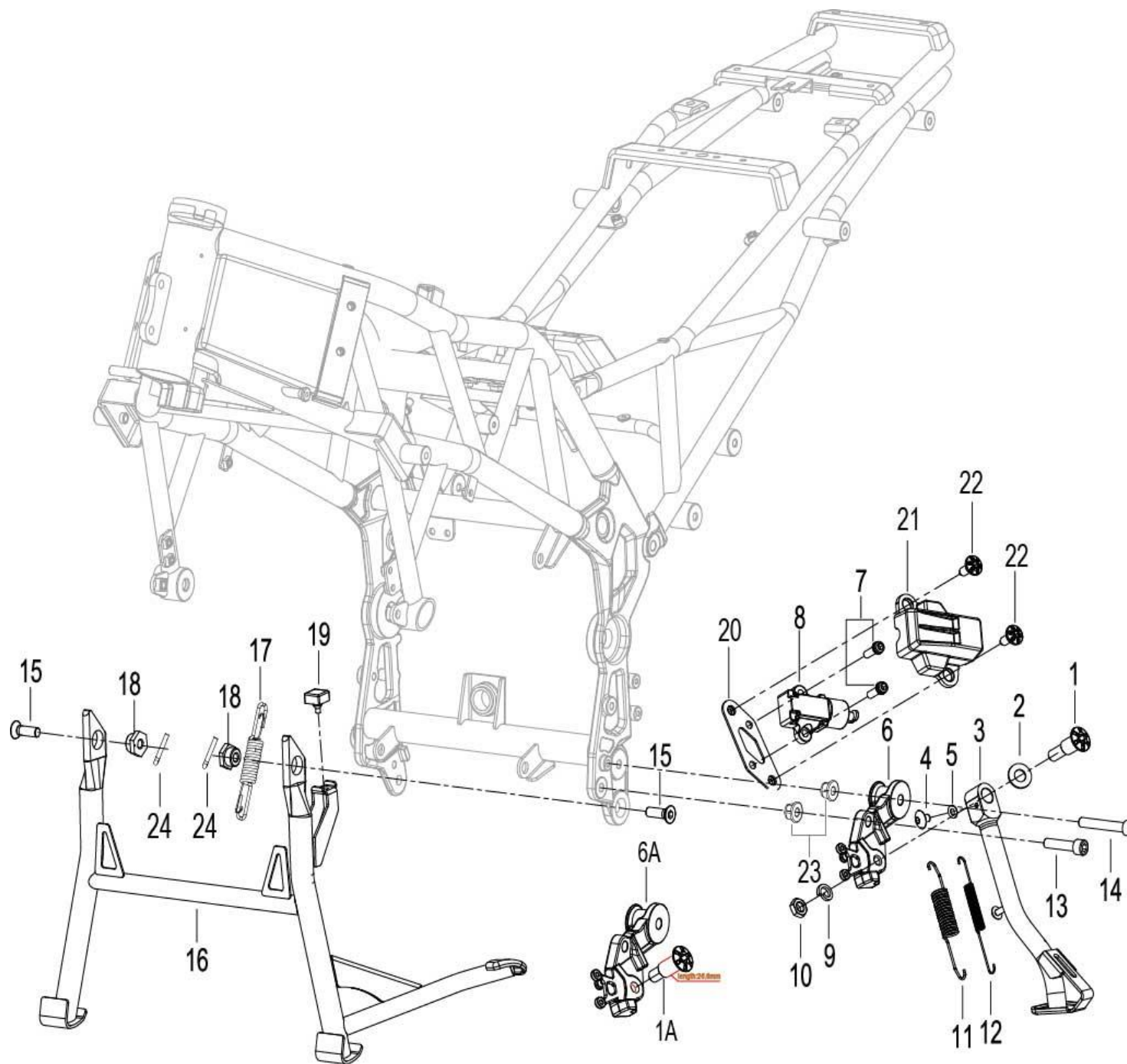
POSITION NO.	CODE	CN DESCRIPTION	EN DESCRIPTION	QTY/UNIT	REMARKS
F11-01	57120P160102	后车架焊接组件(磨砂黑)	REAR FRAME ASSY,BLACK	1	
F11-02	B0109100256H	螺栓M10×25	BOLT M10×25,SILVER	2	
F11-03	B0159100306H	螺栓M10×1.25×30	BOLT M10×1.25×30	2	
F11-04	B0417101254H	自锁螺母M10×1.25	SELF-LOCKING NUT M10×1.25	2	
F11-05	58306P160000	动力螺栓保护套	PROTECT RUBBER JACKET	2	
F11-06	B0109080606H	螺栓M8×60	BOLT M8×60	2	
F11-07	51022P160000	悬挂衬套	BUSH	4	
F11-08	52511H240100	踏脚板安装轴套	BUSH	2	
F11-09	52011P16BG00	后尾箱支架(BG哑黑)	REAR CARRIER,MATT BLACK BG	1	
F11-10	08430P250000	线夹组件	CLIP ASSY	1	
F11-11	08301P160000	尾灯支架安装板	TAIL LIGHT MOUNTING BOARD	1	
F11-12	B0109080256K	螺栓M8×25	BOLT M8×25	2	
F11-13	B0205080456H	内六角螺钉M8×45	SCREW M8×45	4	
F11-14	B0109060126H	螺栓M6×12	BOLT M6×12	4	
F11-15	02131P160000	工具箱	TOOL KIT BOX	1	
F11-16	08023P250000	液刹泵安装垫圈	WASHER Φ10.5×Φ19×0.8	2	
F11-17	81500P160001	后左转向灯	REAR LEFT TURN SIGNAL LIGHT	1	
F11-18	81700P160001	后右转向灯	REAR RIGHT TURN SIGNAL LIGHT	1	
F11-19	57015P160000	车架堵头 I	FRAME PLUG I	2	
F11-20	57016P160000	车架堵头 II	FRAME PLUG II	2	
F11-21	52718P160001	边箱安装衬套IV	BUSH	4	
F11-27	B0703000080A	垫圈8	WASHER Φ8	2	

F12 脚蹬 PEDAL ASSY.



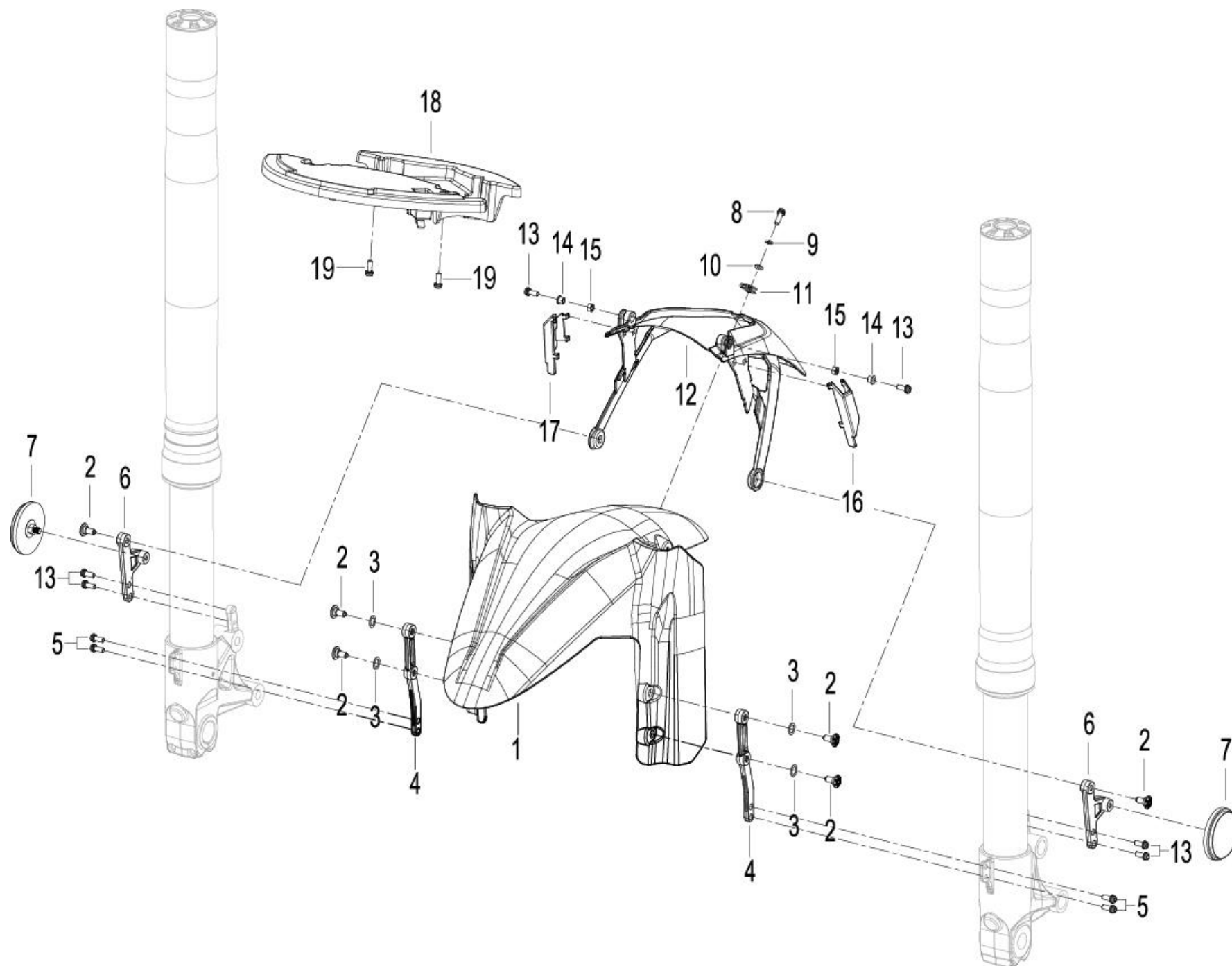
POSITION NO.	CODE	CN DESCRIPTION	EN DESCRIPTION	QTY/UNIT	REMARKS
F12-01	58226P160000	左前踏蹬支架	LEFT FRONT FOOTREST BRACKET	1	
F12-02	58217P260000	脚蹬安装销	FOOTREST MOUNTING PIN,with hole	2	
F12-03	58256P160000	脚蹬限位板	FIXING BORAD	2	
F12-04	58220P160002	左前踏蹬组件	LEFT FRONT FOOTREST ASSY	1	
F12-05	B090002018AH	开口销2x18	COTTER PIN 2x18	4	
F12-06	B02810802062	螺栓M8x1.25x20	BOLT M8x1.25x20	4	
F12-07	58246P160000	右前踏蹬支架	RIGHT FRONT FOOTREST BRACKET	1	
F12-08	58240P160002	右前踏蹬组件	RIGHT FRONT FOOTREST ASSY	1	
F12-09	58452P16C800	左后脚蹬安装座(大桥银C8)	LEFT REAR FOOTREST BRACKET,SILVER C8	1	
F12-10	B0281080256H	螺栓M8x1.25x25	BOLT M8x1.25x25	4	
F12-11	58217P100000	脚蹬安装销	FOOTREST MOUNTING PIN	2	
F12-12	58472P16C800	右后脚蹬安装座(大桥银C8)	RIGHT REAR FOOTREST BRACKET,SILVER C8	1	
F12-13	B0703000060A	垫圈φ6	WASHER φ6	4	
F12-14	58260P160000	左后踏蹬	LEFT REAR FOOTREST	1	
F12-15	58202D010100	直臂扭转弹簧	SPRING	2	
F12-16	58222B930000	前脚踏弹簧	FRONT FOOTREST SPRING	2	
F12-17	B06000002000	脚蹬滚珠	REAR FOOTREST BALL	2	
F12-18	58451S010000	踏蹬安装板	FOOTREST BRACKET PLATE	2	
F12-19	58280P160000	右后踏蹬	RIGHT REAR PEDAL	1	

F13 单撑 MAIN STAND ASSY.



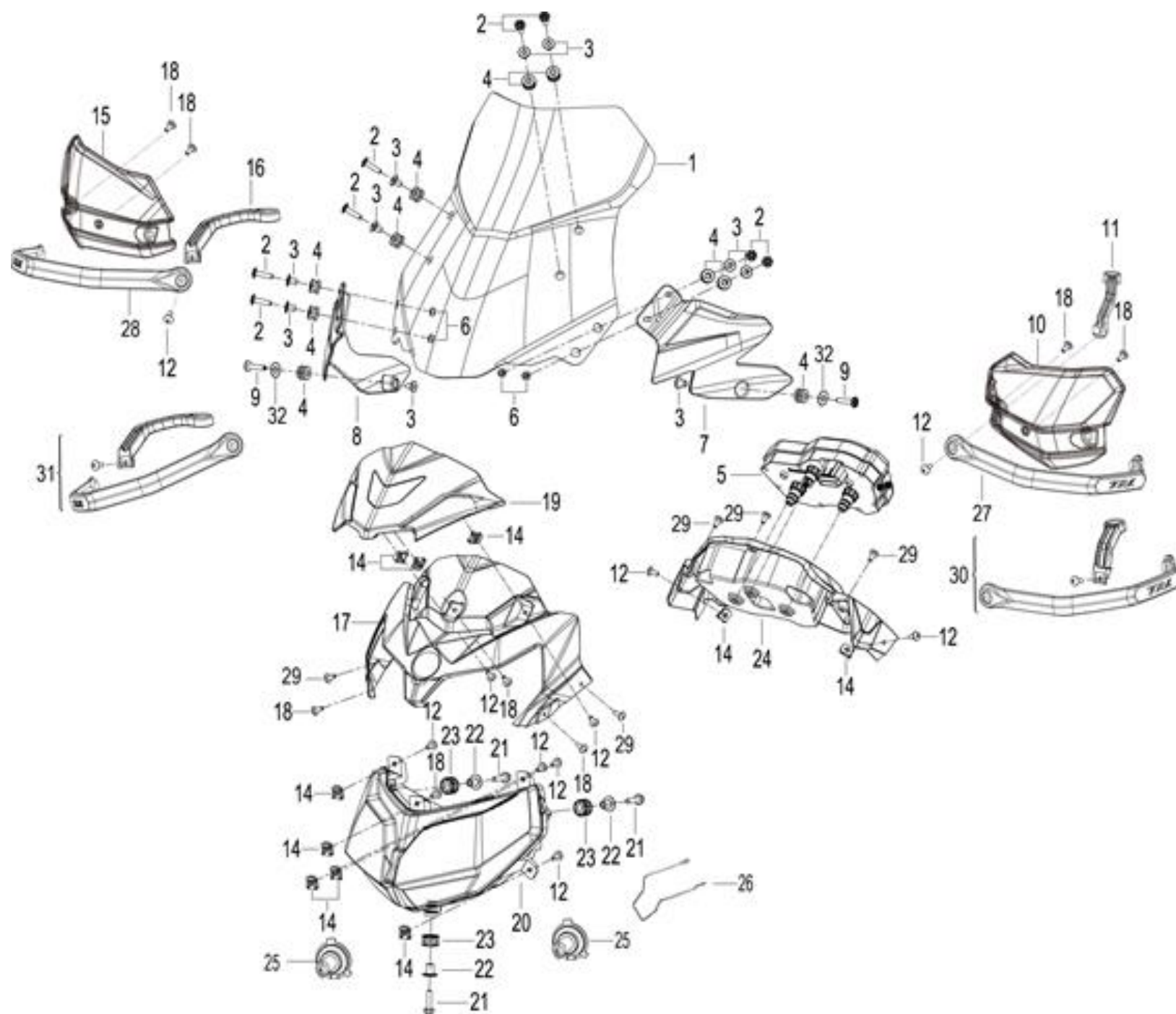
POSITION NO.	CODE	CN DESCRIPTION	EN DESCRIPTION	QTY/UNIT	REMARKS
F13-01A	57005P280001	单撑安装螺钉	SIDE STAND MOUNTING SCREW	1	start Vin ZBNP16019LBB95187.20th July 2020
F13-02	08021P250000	单撑安装垫圈	SIDE STAND MOUNTING WASHER	1	
F13-03	58700P250003	单撑焊接组件	SIDE STAND ASSY	1	
F13-04	B02830600862	螺栓M6×8	BOLT M6×8	1	
F13-05	B0703000060H	垫圈Φ6	WASHER 6	1	
F13-06A	57405P280002	单撑安装支架	SIDE STAND MOUNTING BRACKET	1	start Vin ZBNP16019LBB95187.20th July 2020
F13-07	B02810501662	螺钉M5×16	SCREW M5×16	2	
F13-08	91170P16000A	单撑熄火开关	SWITCH ,FLAMEOUT,SIDE STAND	1	
F13-09	B07000001204	弹簧垫圈φ12	SPRING WASHER 12	1	
F13-10	B04031212514	薄螺母M12×1.25	NUT M12×1.25	1	
F13-11	57003P250000	单撑外弹簧	SIDE STAND OUTER SPRING	1	
F13-12	57004S010000	内弹簧	SIDE STAND INNER SPRING	1	
F13-13	B0205100406H	内六角螺钉M10×40	HEXAGON SCREW M10×40	1	
F13-14	B0205100606H	内六角螺钉M10×60	HEXAGON SCREW M10×60	1	
F13-15	58508P160000	内六角螺钉	SCREW M10×1.25×33.5	2	
F13-16	58520P160000	中撑焊接组件	MID STAND ASSY	1	
F13-17	57010D010100	单撑弹簧组件	SPRING,SIDE STAND	1	
F13-18	58509P160000	中撑安装螺套	SCREW SLEEVE	2	
F13-19	169143540000	缓冲橡胶件	BUFFER BLOCK,MAIN STAND	2	
F13-20	58730P290000	单撑熄火开关装饰盖安装座	FIXING SEAT	1	
F13-21	91171P290000	单撑熄火开关装饰盖	DECORATIVE COVER	1	
F13-22	B0284060150A	螺钉M6×15.2	SCREW M6×15.2	2	
F13-23	B0417100004H	全金属六角法兰面锁紧螺母M10	NUT M10	2	
F13-24	B090002018AH	开口销2×18	COTTER PIN 2×18	2	

F14 前挡泥板 FRONT FENDER ASSY.



POSITION NO.	CODE	CN DESCRIPTION	EN DESCRIPTION	QTY/UNIT	REMARKS
F14-01	65101P160030	前挡泥板I(意满红FH)	FRONT FENDER I,RED FH,WITHOUT STICKER	1	
F14-01	65101P160040	前挡泥板I(意满蓝KD)	FRONT FENDER I,PETROL BLUE KD,WITHOUT STICKER	1	
F14-01	65101P160050	前挡泥板I(意满黄MT)	FRONT FENDER I,YELLOW MT,WITHOUT STICKER	1	
F14-01	65101P16023Z	前挡泥板I(意满红FH)带ABS贴花	FRONT FENDER I,RED FH,WITH ABS STICKER	1	with ABS sticker
F14-01	65101P16024Z	前挡泥板I(意满蓝KD)带ABS贴花	FRONT FENDER I,PETROL BLUE KD,WITH ABS STICKER	1	with ABS sticker
F14-01	65101P16025Z	前挡泥板I(意满黄MT)带ABS贴花	FRONT FENDER I,YELLOW MT,WITH ABS STICKER	1	with ABS sticker
F14-02	B0284060150A	螺钉M6×15.2	SCREW M6×15.2	6	
F14-03	47936S010000	灰色尼龙	NYLON WASHER	4	
F14-04	65131P160001	前泥板支架 I	FRONT FENDER BRACKET I	2	
F14-05	B02810501262	螺钉M5×0.8×12	SCREW M5×0.8×12	4	
F14-06	65141P160001	前泥板支架 II	FRONT FENDER BRACKET II	2	
F14-07	86300J000002	侧反射体组件M5	SIDE RELECTOR M5	2	
F14-07	86300J000000	侧反射体组件M6	SIDE RELECTOR M6	2	
F14-08	B02180501262	螺钉M5×12	SCREW M5×12	1	
F14-09	B0700000050A	弹簧垫圈φ5	SPRING WASHER 5	1	
F14-10	B0703000050A	垫圈φ5	WASHER Φ5	1	
F14-11	08053G120100	护板安装夹紧螺母	NUT	1	
F14-12	65150P160000	前挡泥板组件 II	FRONT FENDER II	1	
F14-13	B02810501462	螺栓M5×0.8×14	SCREW M5×0.8×14	6	
F14-14	65105S040000	T型衬套5×7×6×10×0.8	T BUSHING 5×7×6×10×0.8	2	
F14-15	B0400050005H	螺母M5	NUT M5	2	
F14-16	65108P160000	前泥板左装饰板	FRONT FENDER LEFT DECORATE BOARD	1	
F14-17	65116P160000	前泥板右装饰板	FRONT FENDER RIGHT DECORATE BOARD	1	
F14-18	65102P16000A	前内挡泥板	FRONT INNER FENDER	1	
F14-19	08011P160000	不锈钢螺栓M5×12	SCREW M5×12	2	

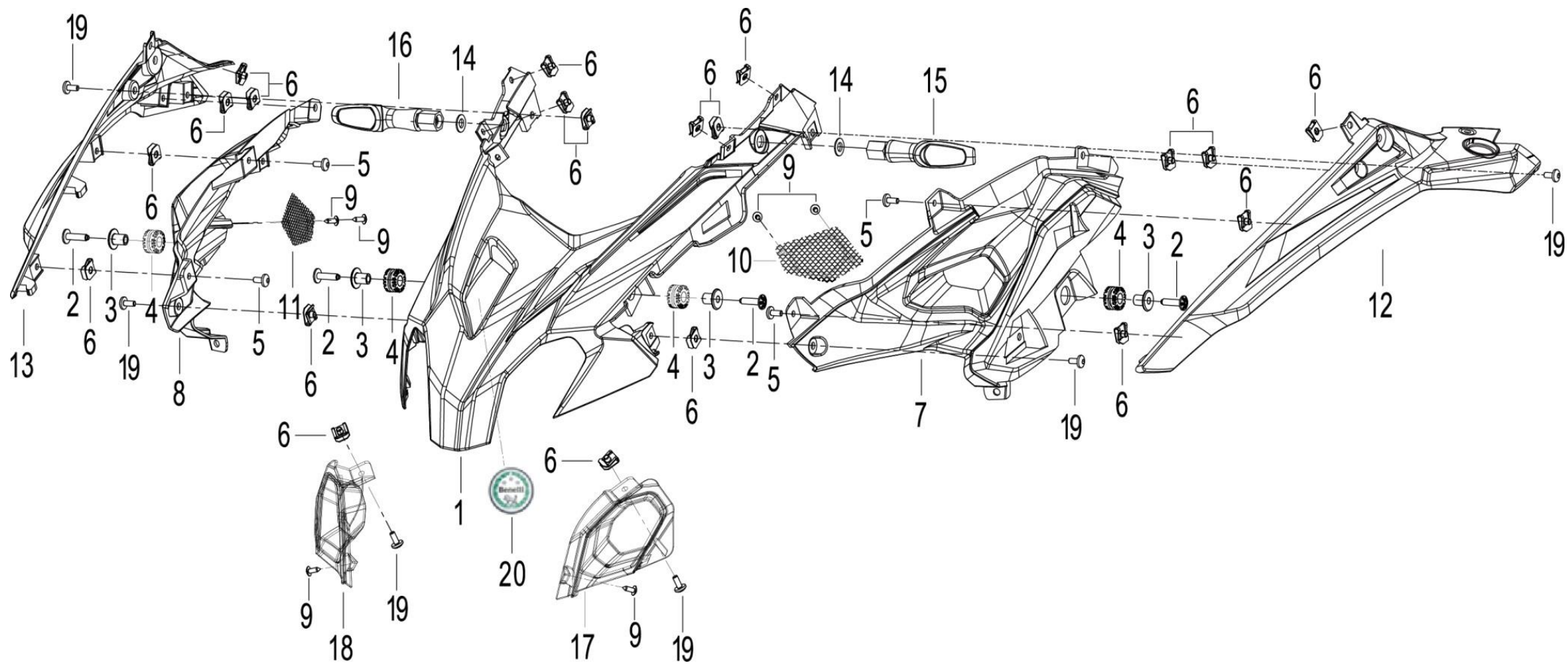
F15 前护罩 FRONT SHIELD ASSY.



POSITION NO.	CODE	CN DESCRIPTION	EN DESCRIPTION	QTY/UNIT	REMARKS
F15-01	65503P160002	挡风玻璃(PC材料)	WINDSHIELD	1	
F15-02	B0284060250A	不锈钢螺钉M6x25	BOLT M6x25	8	
F15-03	65517K320100	导流罩隔套	SPACER	10	
F15-04	81708S010000	橡胶套8x18x4x12x4x4	RUBER BUSH 8x18x4x12x4x4	10	
F15-05	70000P160004	仪表总成	METER ASSY	1	
F15-06	B04810600052	螺母M6x1	NUT M6x1	4	
F15-07	65204P160000	左侧挡风玻璃	LEFT WINDSHIELD	1	
F15-08	65205P160000	右侧挡风玻璃	RIGHT WINDSHIELD	1	
F15-09	B0284060250A	不锈钢螺钉M6x25	BOLT M6x25	2	
F15-10	65216P160001	左把手护罩	LEFT PROTECT COVER	1	
F15-11	65218P160002	左把手护罩连接板	LEFT CONNECTING BOARD	1	
F15-12	08012P160000	不锈钢螺栓M5x16	BOLT M5x16	10	
F15-14	65624P160000	卡螺母M5	CARD NUT M5	12	
F15-15	65217P160001	右把手护罩	RIGHT PROTECT COVER	1	
F15-16	65219P160003	右把手护罩连接板	RIGHT CONNECTING BOARD	1	start Vin ZBNP16010LBB88998 July 2020
F15-17	65201P16FH00	前照灯前护罩(意满红FH)	HEAD LIGHT PROTECT COVER,RED FH	1	
F15-17	65201P16KD00	前照灯前护罩(意满蓝KD)	HEAD LIGHT PROTECT COVER,PETROL BLUE KD	1	
F15-17	65201P16MT00	前照灯前护罩(意满黄MT)	HEAD LIGHT PROTECT COVER,YELLOW MT	1	
F15-18	08011P160000	不锈钢螺栓M5x12	SCREW M5x12	8	
F15-19	65203P16BA00	前遮阳板(平光银黑BA)	METER VISOR,SATIN BLACK BA	1	
F15-20	80000P160001	前照灯	HEAD LIGHT	1	
F15-21	B0109060256H	螺栓M6x25	BOLT M6x25	3	
F15-22	14003S040010	散热器上衬套	BUSH	3	
F15-23	65821S010000	橡胶块	RUBBER BLOCK	3	
F15-24	65315P160000	仪表安装板	METER MOUNTING BOARD	1	
F15-25	B240137200F0	12V55W-H7挂卡灯泡	BUBL 12V55W-H7	2	
F15-26	80110S010001	前照灯灯头卡簧(镀彩锌)	SPRING	2	
F15-27	65221P160002	左把手护罩支撑杆	SUPPORT ROD,LEFT PROTECT COVER	1	
F15-28	65222P160003	右把手护罩支撑杆	SUPPORT ROD,RIGHT PROTECT COVER	1	start Vin ZBNP16010LBB88998 July 2020

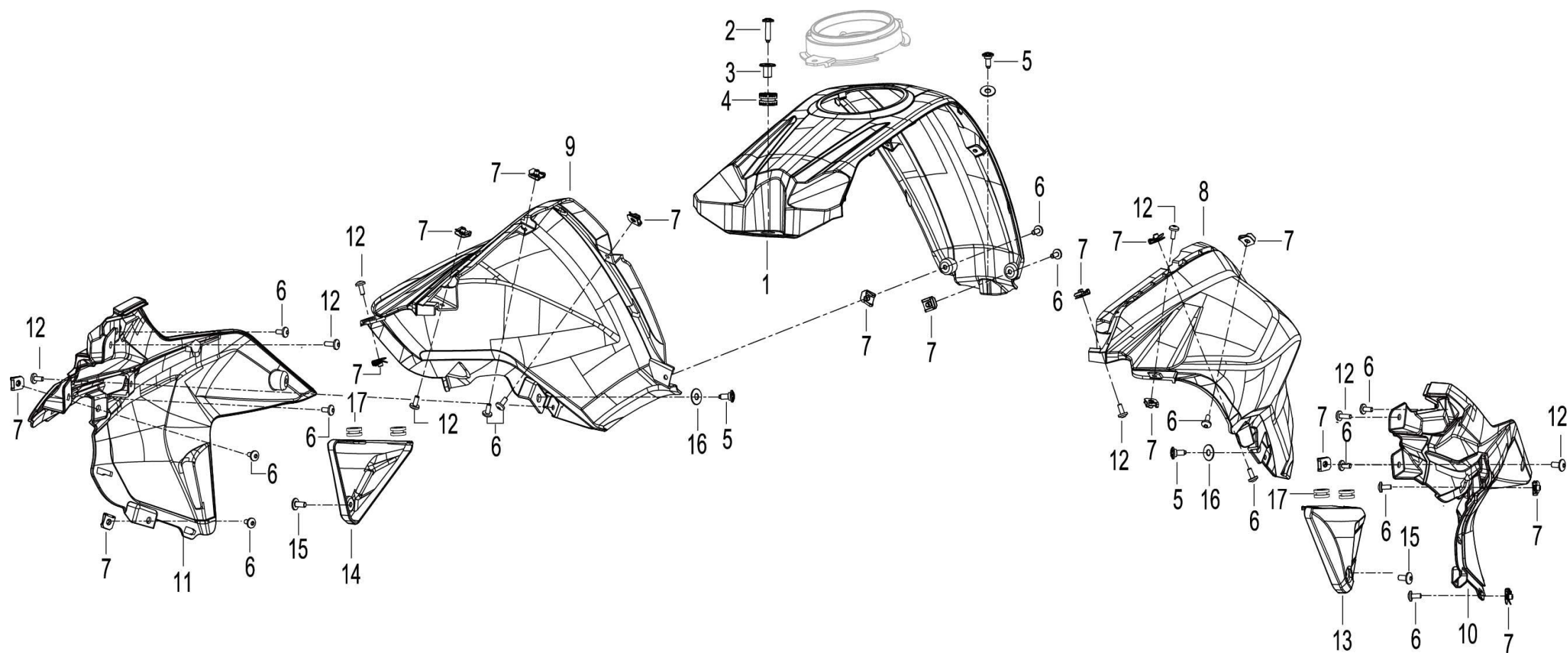
POSITION NO.	CODE	CN DESCRIPTION	EN DESCRIPTION	QTY/ UNIT	REMARKS
F15-29	08012P160000	不锈钢螺栓M5×16	BOLT M5×16	5	
F15-30	65210P16002Z	左把手护罩铝支架组合件	SUPPORT ROD ASSY,LEFT PROTECT COVER	1	
F15-31	65220P16003Z	右把手护罩铝支架组合件	SUPPORT ROD ASSY,RIGHT PROTECT COVER	1	
F15-32	B0702000060H	垫圈6	WASHER 6	2	

F16 前大罩 FRONT COVER ASSY.



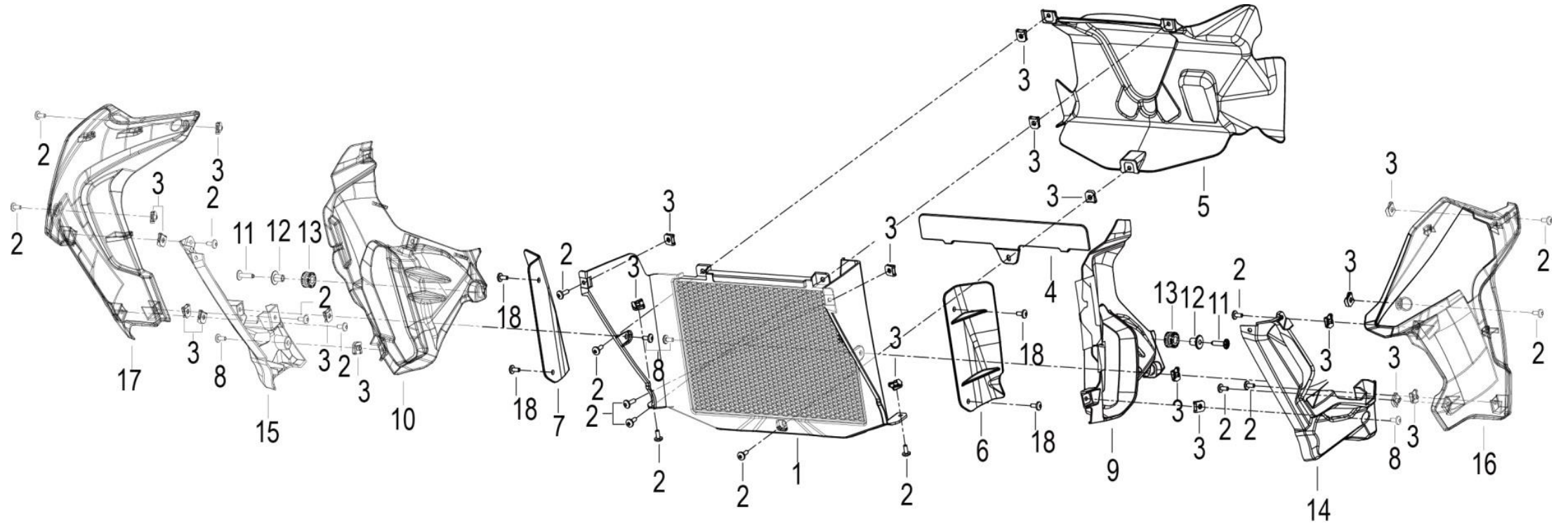
POSITION NO.	CODE	CN DESCRIPTION	EN DESCRIPTION	QTY/UNIT	REMARKS
F16-01	65301P16BA00	前大罩面板(平光银黑BA)	FRONT FACEPLATE,SATIN BLACK BA	1	
F16-02	B0284060250A	不锈钢螺钉M6×25	BOLT M6×25	4	
F16-03	14003S040010	散热器上衬套	BUSH	4	
F16-04	65821S010000	橡胶块	RUBBER BLOCK	4	
F16-05	08011P160000	不锈钢螺栓M5×12	SCREW M5×12	4	
F16-06	65624P160000	卡螺母M5	CARD NUT M5	18	
F16-07	65316P160000	前罩左连接板	LEFT CONECTING BOARD	1	
F16-08	65317P160000	前罩右连接板	RIGHT CONNECTING BOARD	1	
F16-09	B0507420130H	自攻螺钉ST4.2×13	TAPPING SCREW ST4.2×13	4	
F16-10	65318P160000	前罩左连接板铁丝网	LEFT BARBED WIRE	1	
F16-11	65319P160000	前罩右连接板铁丝网	RIGHT BARBED WIRE	1	
F16-12	65303P16FH00	前大罩面板左装饰板(意满红FH)	FRONT FACEPLATE LEFT DECORATE COVER,RED FH,WITHOUT STICKER	1	
F16-12	65303P16KD00	前大罩面板左装饰板(意满蓝KD)	FRONT FACEPLATE LEFT DECORATE COVER,PETROL BLUE KD,WITHOUT STICKER	1	
F16-12	65303P16MT00	前大罩面板左装饰板(意满黄MT)	FRONT FACEPLATE LEFT DECORATE COVER,YELLOW MT,WITHOUT STICKER	1	
F16-13	65309P16FH00	前大罩面板右装饰板(意满红FH)	FRONT FACEPLATE RIGHT DECORATE COVER,RED FH,WITHOUT STICKER	1	
F16-13	65309P16KD00	前大罩面板右装饰板(意满蓝KD)	FRONT FACEPLATE RIGHT DECORATE COVER,PETROL BLUE KD,WITHOUT STICKER	1	
F16-13	65309P16MT00	前大罩面板右装饰板(意满黄MT)	FRONT FACEPLATE RIGHT DECORATE COVER,YELLOW MT,WITHOUT STICKER	1	
F16-14	08023P250000	液刹泵安装垫圈	WASHER Φ10.5×Φ19×0.8	2	
F16-15	81100V020000	前左转向灯	FRONT LEFT TURN SIGNAL LIGHT	1	
F16-16	81300V020000	前右转向灯	FRONT RIGHT TURN SIGNAL LIGHT	1	
F16-17	65305P16BA00	前面板左通风口(平光银黑BA)	LEFT AIR VENTS,SATIN BLACK BA	1	
F16-18	65306P16BA00	前面板右通风口(平光银黑BA)	RIGHT AIR VENTS,SATIN BLACK BA	1	
F16-19	08012P160000	不锈钢螺栓M5×16	BOLT M5×16	6	
F16-20	05521B450000	标牌BENELLI	BENELLI LABEL	1	

F17 油箱护板 FUEL TANK COVER



POSITION NO.	CODE	CN DESCRIPTION	EN DESCRIPTION	QTY/UNIT	REMARKS
F17-01	65672P16BA00	油箱中间护板(平光银黑BA)	FUEL TANK MIDDLE COVER,SATIN BLACK BA	1	
F17-02	B0284060250A	不锈钢螺钉M6×25	BOLT M6×25	1	
F17-03	14003S040010	散热器上衬套	BUSH	1	
F17-04	65821S010000	橡胶块	RUBBER BLOCK	1	
F17-05	B0284060150A	螺钉M6×15.2	SCREW M6×15.2	1	
F17-06	08011P160000	不锈钢螺栓M5×12	SCREW M5×12	14	
F17-07	65624P160000	卡螺母M5	CARD NUT M5	14	
F17-08	65673P16FH00	油箱左护板(意满红FH)	FUEL TANK LEFT SIDE COVER,RED FH,WITHOUT STICKER	1	
F17-08	65673P16KD00	油箱左护板(意满蓝KD)	FUEL TANK LEFT SIDE COVER,PETROL BLUE KD,WITHOUT STICKER	1	
F17-08	65673P16MT00	油箱左护板(意满黄MT)	FUEL TANK LEFT SIDE COVER,YELLOW MT,WITHOUT STICKER	1	
F17-09	65674P16FH00	油箱右护板(意满红FH)	FUEL TANK RIGHT SIDE COVER,RED FH,WITHOUT STICKER	1	
F17-09	65674P16KD00	油箱右护板(意满蓝KD)	FUEL TANK RIGHT SIDE COVER,PETROL BLUE KD,WITHOUT STICKER	1	
F17-09	65674P16MT00	油箱右护板(意满黄MT)	FUEL TANK RIGHT SIDE COVER,YELLOW MT,WITHOUT STICKER	1	
F17-10	65675P160010	油箱左下护板	FUEL TANK LEFT UNDER COVER	1	
F17-11	65676P160010	油箱右下护板	FUEL TANK RIGHT UNDER COVER	1	
F17-12	08012P160000	不锈钢螺栓M5×16	BOLT M5×16	8	
F17-13	65691P160000	车架左装饰板	FRAME LEFT DECORATE BOARD	1	
F17-14	65692P160000	车架右装饰板	FRAME RIGHT DECORATE BOARD	1	
F17-15	B0283060146H	螺钉M6×14	SCREW M6×14	2	
F17-16	47936S010000	灰色尼龙	NYLON WASHER	3	
F17-17	43038P250000	前转向灯支架橡胶套	RUBBER BUSH	4	

F18 散热器导流板 RADIATOR GUIDE PLATE ASSY.



POSITION NO.	CODE	CN DESCRIPTION	EN DESCRIPTION	QTY/UNIT	REMARKS
F18-01	65681P160000	散热器前导流板	RADIATOR FRONT COVER	1	
F18-02	08012P160000	不锈钢螺栓M5×16	BOLT M5×16	17	
F18-03	65624P160000	卡螺母M5	CARD NUT M5	21	
F18-04	65685P160000	前散热器挡风板	RADIATOR PLATE	1	
F18-05	65682P160000	散热器后导流板	RADIATOR REAR PLATE	1	
F18-06	65683P160000	散热器左导流板	RADIATOR LEFT PROTECT PLATE	1	
F18-07	65684P160000	散热器右导流板	RADIATOR RIGHT PROTECT PLATE	1	
F18-08	08011P160000	不锈钢螺栓M5×12	SCREW M5×12	4	
F18-09	65307P160010	左后通风口(皮纹)	LEFT REAR AIR VENTS,DERMATOGLYPH	1	
F18-10	65308P160010	右后通风口(皮纹)	RIGHT REAR AIR VENTS,DERMATOGLYPH	1	
F18-11	B0284060250A	不锈钢螺钉M6×25	BOLT M6×25	4	
F18-12	14003S040010	散热器上衬套	BUSH	4	
F18-13	65821S010000	橡胶块	RUBBER BLOCK	4	
F18-14	65621P160000	左前护板装饰板	LEFT FRONT PROTECT BOARD	1	
F18-15	65622P160000	右前护板装饰板	RIGHT FRONT PROTECT BOARD	1	
F18-16	65632P16FH00	左前护板(意满红FH)	LEFT FRONT SIDE COVER,RED FH,WITHOUT STICKER	1	
F18-16	65632P16KD00	左前护板(意满蓝KD)	LEFT FRONT SIDE COVER,PETROL BLUE KD,WITHOUT STICKER	1	
F18-16	65632P16MT00	左前护板(意满黄MT)	LEFT FRONT SIDE COVER,YELLOW MT,WITHOUT STICKER	1	
F18-17	65633P16FH00	右前护板(意满红FH)	RIGHT FRONT SIDE COVER,RED FH,WITHOUT STICKER	1	
F18-17	65633P16KD00	右前护板(意满蓝KD)	RIGHT FRONT SIDE COVER,PETROL BLUE KD,WITHOUT STICKER	1	
F18-17	65633P16MT00	右前护板(意满黄MT)	RIGHT FRONT SIDE COVER,ELLOW MT,WITHOUT STICKER	1	

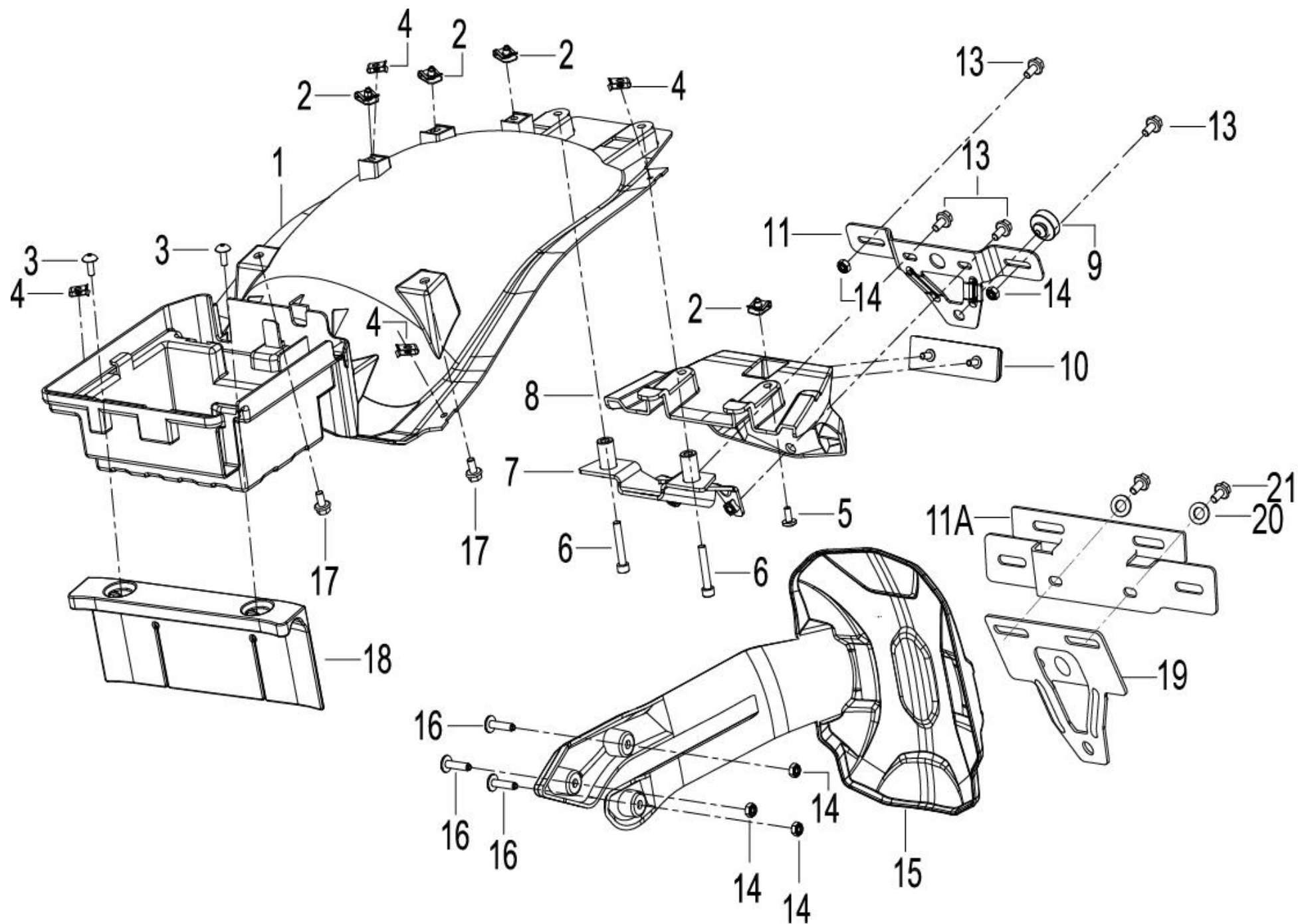
F19 护板 FEAME COVER ASSY.



POSITION NO.	CODE	CN DESCRIPTION	EN DESCRIPTION	QTY/UNIT	REMARKS
F19-01	65601P160000	左护板	LEFT SIDE COVER	1	
F19-02	65602P160001	右护板	RIGHT SIDE COVER	1	
F19-03	08011P160000	不锈钢螺栓M5×12	SCREW M5×12	22	
F19-04	65624P160000	卡螺母M5	CARD NUT M5	18	
F19-05	43038P250000	前转向灯支架橡胶套	RUBBER BUSH	8	
F19-06	65901P16FH00	左尾罩(意满红FH)	LEFT TAIL COVER,RED FH,WITHOUT STICKER	1	
F19-06	65901P16KD00	左尾罩(意满蓝KD)	LEFT TAIL COVER,PETROL BLUE KD,WITHOUT STICKER	1	
F19-06	65901P16MT00	左尾罩(意满黄MT)	LEFT TAIL COVER,YELLOW MT,WITHOUT STICKER	1	
F19-07	65902P16FH00	右尾罩(意满红FH)	RIGHT TAIL COVER,RED FH,WITHOUT STICKER	1	
F19-07	65902P16KD00	右尾罩(意满蓝KD)	RIGHT TAIL COVER,PETROL BLUE KD,WITHOUT STICKER	1	
F19-07	65902P16MT00	右尾罩(意满黄MT)	RIGHT TAIL COVER,YELLOW MT,WITHOUT STICKER	1	
F19-08	B0284060250A	不锈钢螺钉M6×25	BOLT M6×25	4	
F19-09	14003S040010	散热器上衬套	BUSH	4	
F19-10	65821S010000	橡胶块	RUBBER BLOCK	6	
F19-11	65911P160002	左下尾罩	LEFT LOWER REAR COVER	1	
F19-12	65912P160002	右下尾罩	RIGHT LOWER REAR COVER	1	
F19-13	51100P160102	前座垫组件	FRONT SEAT ASSY	1	
F19-14	51200P160101	后座垫组件	REAR SEAT ASSY	1	
F19-15	B01820601462	螺栓M6×14	BOLT M6×14	2	
F19-16	65605P160010	左右尾罩上联接板(皮纹)	UPPER CONNECT BOARD,WITHOUT PAINTING	1	
F19-17	65606P160010	左右尾罩下联接板(皮纹)	UNDER CONNECT BOARD,WITHOUT PAINTING	1	
F19-18	82000P160000	尾灯	TAIL LIGHT	1	
F19-19	08013P160000	后制动泵安装螺栓	BOLT M6×22	1	
F19-20	B0407060005H	螺母M6	NUT M6	2	
F19-21	65697P160000	车架左装饰板II	LEFT DECORATIVE BOARD II	1	
F19-22	65698P160000	车架右装饰板II	RIGHT DECORATIVE BOARD II	1	
F19-23	B02810602062	螺栓M6×1×20	BOLT M6×1×20	3	
F19-24	65693P160000	车架左内装饰板	FRAME LEFT BOARD	1	
F19-25	65690P160000	车架右内装饰板组件	FRAME RIGHT BOARD	1	

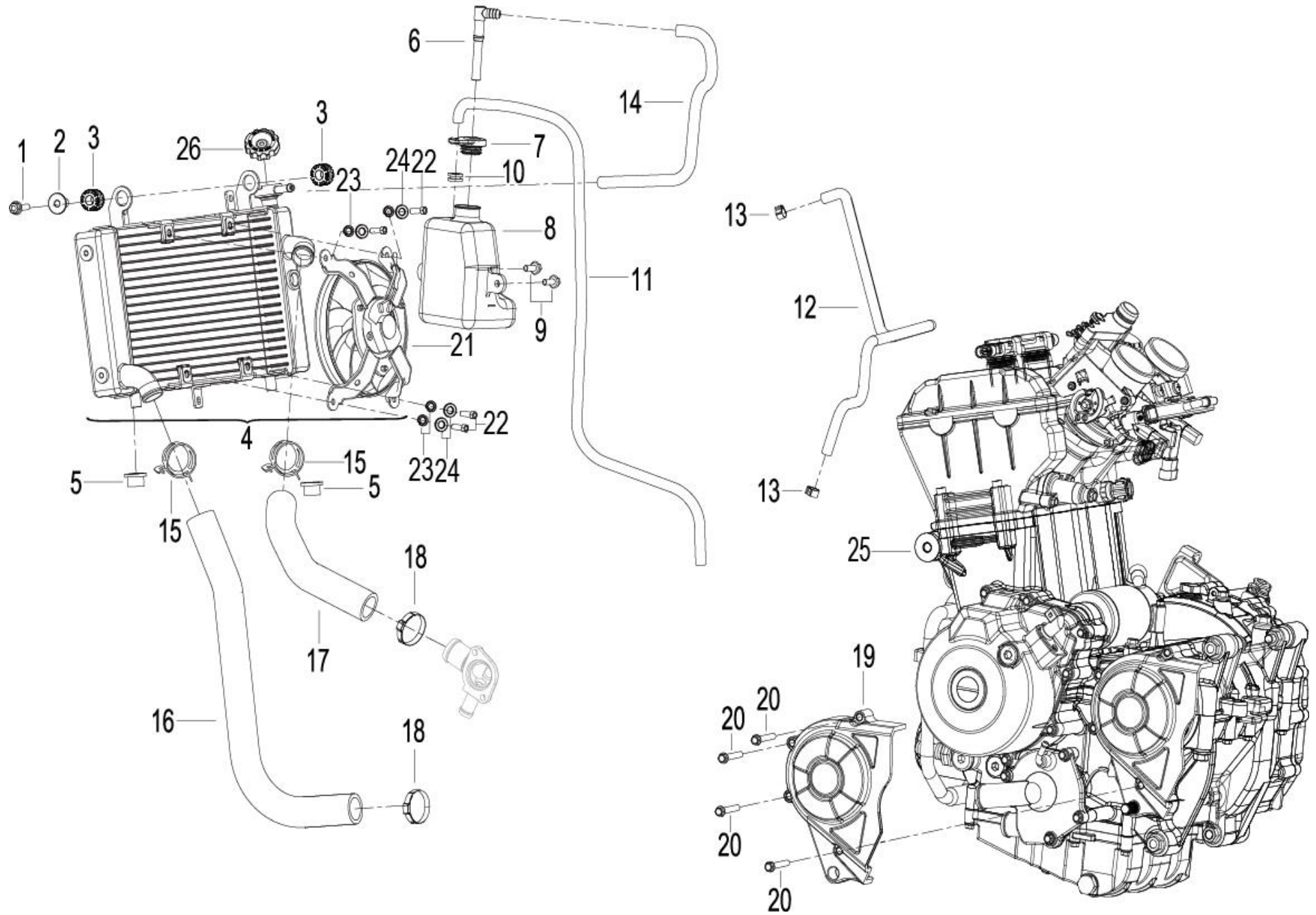
POSITION NO.	CODE	CN DESCRIPTION	EN DESCRIPTION	QTY/UNIT	REMARKS
F19-26	65695P160002	内联接板	CONNECT BOARD	1	
F19-27	58211P160000	左装饰板	LEFT COVER	1	
F19-28	58311P160000	右装饰板	RIGHT COVER	1	
F19-29	B0284060200A	螺钉M6×20	SCREW M6×20	4	
F19-30	58307B450000	固定隔套	SPACER	4	
F19-31	65406P160000	发动机底罩	ENGINE COVER	1	
F19-32	57043P160000	发动机底罩后安装板	MOUNTING BRACKET	1	
F19-33	65625J560100	卡螺母M6	CARD NUT M6	4	
F19-34	B02830601262	螺钉M6×12	SCREW M6×12	4	
F19-35	05592T430000	后货架限载贴花	WEIGHT LIMIT STICKER	1	
F19-36	B0507420101H	自攻螺钉ST4.2×10	TAPPING SCREW ST4.2×10	4	

F20 后泥板 REAR FENDER ASSY.



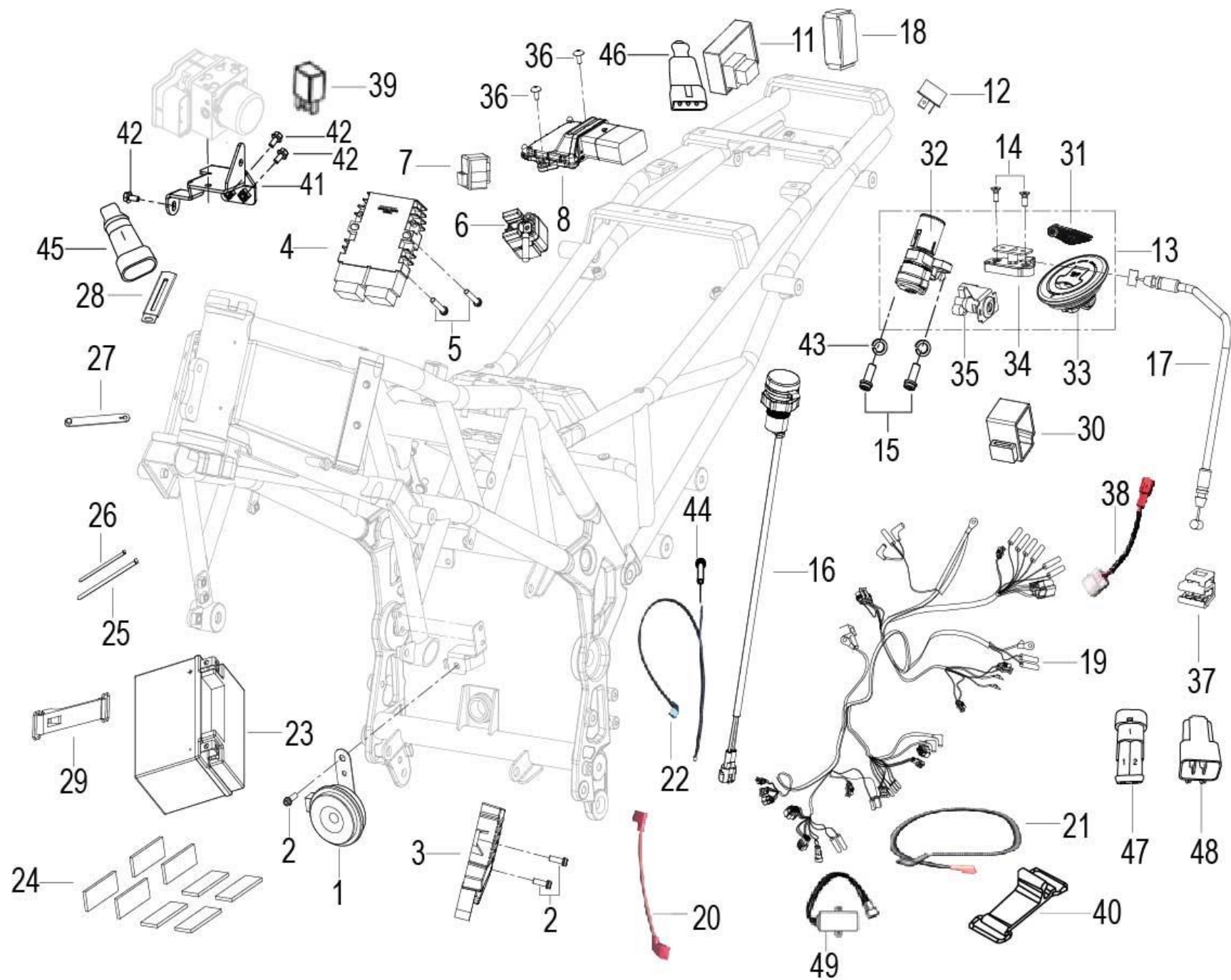
POSITION NO.	CODE	CN DESCRIPTION	EN DESCRIPTION	QTY/UNIT	REMARKS
F20-01	65731P160002	后挡泥板前部	REAR FENDER FORESIDE	1	
F20-02	65624P160000	卡螺母M5	CARD NUT M5	4	
F20-03	B02830600862	螺栓M6x8	BOLT M6x8	2	
F20-04	65801T850100	卡片ST4.2	INSERT ST4.2	4	
F20-05	08011P160000	不锈钢螺栓M5x12	SCREW M5x12	1	
F20-06	B0205060406A	内六角螺钉M6x40	SCREW M6x40	2	
F20-07	65770P160000	后泥板支架组件	REAR FENDER BRACKET	1	
F20-08	65701P160001	后泥板	REAR FENDER	1	
F20-09	51103V030000	座垫缓冲橡胶圈	RUBBER PLUG	1	
F20-10	86500B720001	后反射体	REAR REFLECTOR	1	
F20-11	08202P160001	后牌照支架	REAR LICENCE BRACKET	1	
F20-13	B0109060126H	螺栓M6x12	BOLT M6x12	4	
F20-14	B04810600052	螺母M6x1	NUT M6x1	5	
F20-15	65761P16BG00	后下挡泥板(哑黑)	REAR FENDER UNDERPART,MATT BLACK	1	
F20-16	B0284060250A	不锈钢螺钉M6x25	BOLT M6x25	3	
F20-17	B0283060146H	螺钉M6x14	SCREW M6x14	2	
F20-18	65703P160000	后挡泥橡皮	REAR FENDER RUBBER	1	

F21 COOLING SYSTEM ASSY.



POSITION NO.	CODE	CN DESCRIPTION	EN DESCRIPTION	QTY/UNIT	REMARKS
F21-01	B0109060256H	螺栓M6×25	BOLT M6×25	1	
F21-02	59452P250000	散热器安装隔套	SPACER	1	
F21-03	65821S010000	橡胶块	RUBBER BLOCK	2	
F21-04	279126280020	水箱组件	RADIATOR	1	
F21-05	270011170000	减震套	DAMPER	2	
F21-06	14039S040000	水管	PIPE	1	
F21-07	14030S040000	副水箱盖	RESERVE TANK CAP	1	
F21-08	06111P250000	膨胀水壶	RESERVE TANK	1	
F21-09	B0109060126H	螺栓M6×12	BOLT M6×12	2	
F21-10	43038P250000	前转向灯支架橡胶套	RUBBER BUSH	1	
F21-11	06224P250000	水壶溢流管	RESERVE TANK OVER FLOW PIPE	1	
F21-12	06226P250000	溢流管	OVER FLOW PIPE	1	
F21-13	50376S010000	卡箍Φ10	CLIP 10	2	
F21-14	06223P160000	散热器溢流管	RADIATOR OVER FLOW PIPE	1	
F21-15	06103P160000	水管板式卡箍φ32	CLAMP 32	2	
F21-16	06211P100000	发动机进水管	INLET HOSE	1	
F21-17	06251P160000	发动机出水管	OUTLET HOSE	1	
F21-18	49650S010000	卡箍033.1-706R	CLAMP 033.1-706R	2	
F21-19	16904628NB01	左后盖组件(炭黑)	LEFT BACK COVER,CARBON BLACK	1	
F21-20	B0107060306H	螺栓M6×30	BOLT M6×30	4	
F21-21	270786280000	水箱风扇	RADIATOR FAN ASSY	1	
F21-22	B0101060102H	螺栓 (风扇组件内的)	BOLT M6×10	4	
F21-23	B0700000060H	弹垫6	SPRING WASHER 6	4	
F21-24	B0703000060H	平垫6	WASHER 6	4	
F21-25	C2628049NB00	发动机BJ269MR-A	COMPLETE ENGINE	1	
F21-26	279185050000	加水口盖分组件(银色)	RADIATOR CAP,SILVER	1	

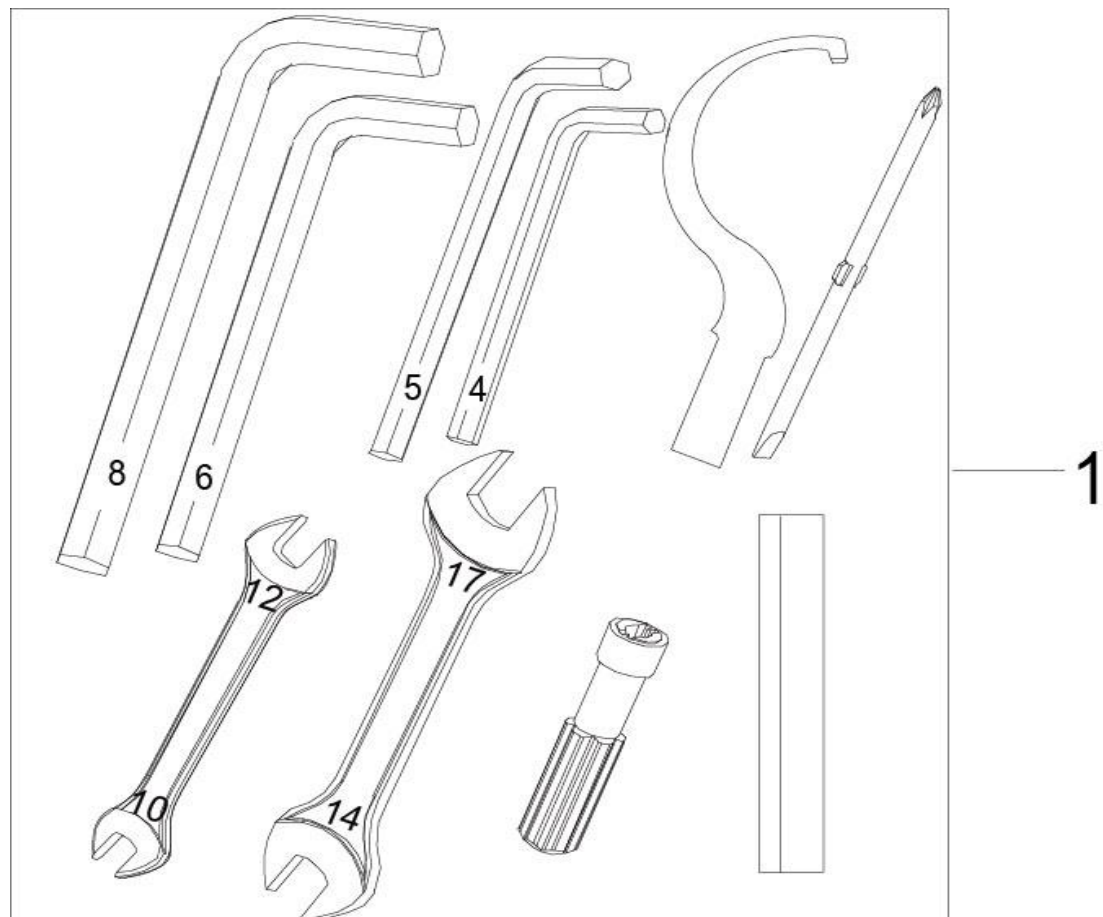
F22 电器 ELECTRICAL EQUIPMENT ASSY.



POSITION NO.	CODE	CN DESCRIPTION	EN DESCRIPTION	QTY/UNIT	REMARKS
F22-01	95100P160001	喇叭	HORN	1	
F22-02	B02810801662	螺栓M8×16	BOLT M8×16	1	
F22-03	96350P160001	仪表转换器	METER CONVERTER	1	
F22-04	299066060000	整流器	RECTIFIER	1	
F22-05	B0109060306H	螺栓M6×30	BOLT M6×30	2	
F22-06	94000S010000	启动继电器	STARTER RELAY	1	
F22-07	91210N300000	侧翻开关	ROLL OVER SENSOR	1	
F22-08	96C00P160001	ECU	ECU	1	
F22-11	96400H390001	闪光器	FLASHER	1	
F22-12	96700K060000	启动二极管	STARTER DIODE	1	
F22-13	88000P160001	套锁	LOCK ASSY	1	
F22-14	B0201060252H	螺钉M6×25	SCREW M6×25	2	
F22-15	B0226080206H	内六角花形圆柱头螺钉	SCREW M8×20	2	
F22-16	92950H380001	USB总成	USB ASSY	1	
F22-17	58900P160000	座垫钢索组件	SEAT LOCK CABLE ASSY	1	
F22-18	96007B720001	点火器套	JACKET,FLASHER	1	
F22-19	92000P16000H	电缆总成(带智控器接口)	WIRE HARNESS ASSY,WITH INTELLECTUAL CONTROLLER SOCKET	1	
F22-20	92200P160000	电源线	POWER CABLE	1	
F22-21	92300P160000	马达线	MOTOR LINE	1	
F22-22	92500P160000	搭铁线	EARTH WIRE	1	
F22-23	AC-YTX9-BS(HW)	蓄电池	BATTERY	1	
F22-24	58752P250000	蓄电池海绵垫	BATTERY SPONGE CUSHION	8	
F22-26	40098B450000	绑扎带	BNAD	10	
F22-27	96003P250000	软线夹	RUBBER CLIP	2	
F22-28	58430J000000	线夹组件	CLIP ASSY	5	
F22-29	02200J0000A0	电瓶带组件	BATTERY BAND	1	
F22-30	98901S010000	传感器橡胶	RUBBER	1	
F22-31	88900P160001	钥匙毛坯向右TRK字样	KEY NUT,MARK:TRK	1	
F22-32	88100P160001	电源锁(钥匙TRK字样)	POWER LOCK,MARK:TRK	1	

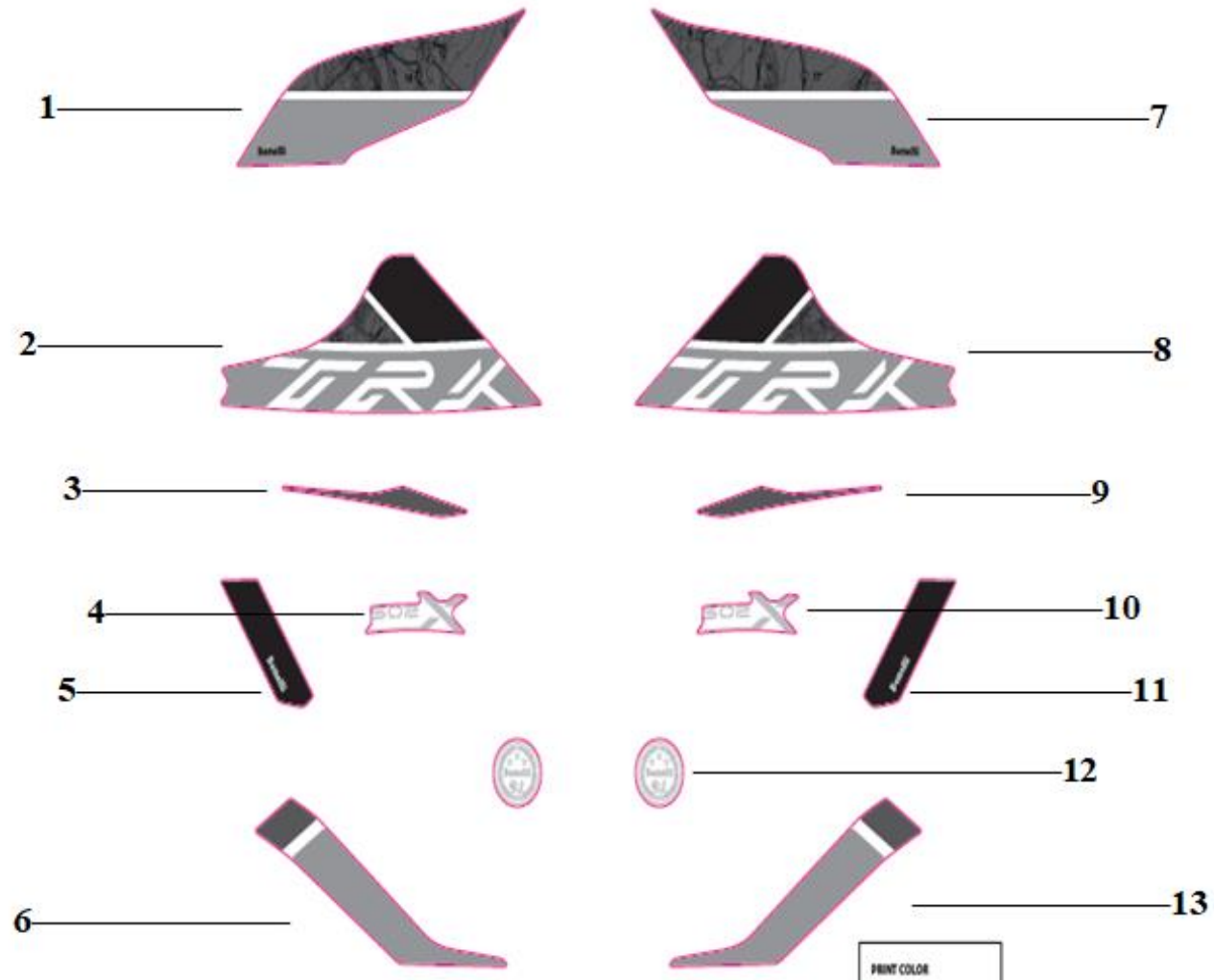
POSITION NO.	CODE	CN DESCRIPTION	EN DESCRIPTION	QTY/UNIT	REMARKS
F22-33	88400P160001	油箱锁(钥匙TRK字样)	FUEL TANK LOCK ,MARK:TRK	1	
F22-34	58800S010000	座垫锁座	SEAT LOCK SEAT	1	
F22-35	88800P160001	座垫锁组件(钥匙TRK字样)	SEAT LOCK,MARK:TRK	1	
F22-36	B02810501462	螺钉M5×0.8×14	SCREW M5×0.8×14	2	
F22-37	96010P160000	绑带固定卡扣组件	BAND CARD	1	
F22-39	92039S010000	安全灯继电器	RELAY,HEADLIGHT	5	
F22-40	02120J690000	随车工具绑带	BAND ASSY,TOOL KIT	1	
F22-41	58670P160000	ABS安装板焊接组件	ABS BRACKET	1	
F22-42	B0109060166H	螺栓M6×16	BOLT M6×16	3	
F22-43	B0700000080H	垫圈	SPRING WASHER 8	2	
F22-44	08013P100000	搭铁螺栓M6×16	BOLT M6×16	1	
F22-45	96600P180000	电阻组件	RESISTOR	1	
F22-46	96700P100000	二极管组件	DIODE	1	
F22-48	92059P060000	智控器对插件	INTELLECTUAL CONTORLLER CONNECTER	1	

F23 随车工具 TOOL KIT ASSY.



POSITION NO.	CODE	CN DESCRIPTION	EN DESCRIPTION	QTY/ UNIT	REMARKS
F23-01	02100P250004	随车工具	TOOL KIT ASSY	1	

F25 STICKER (FOR RED TL&PETROL BLUE)

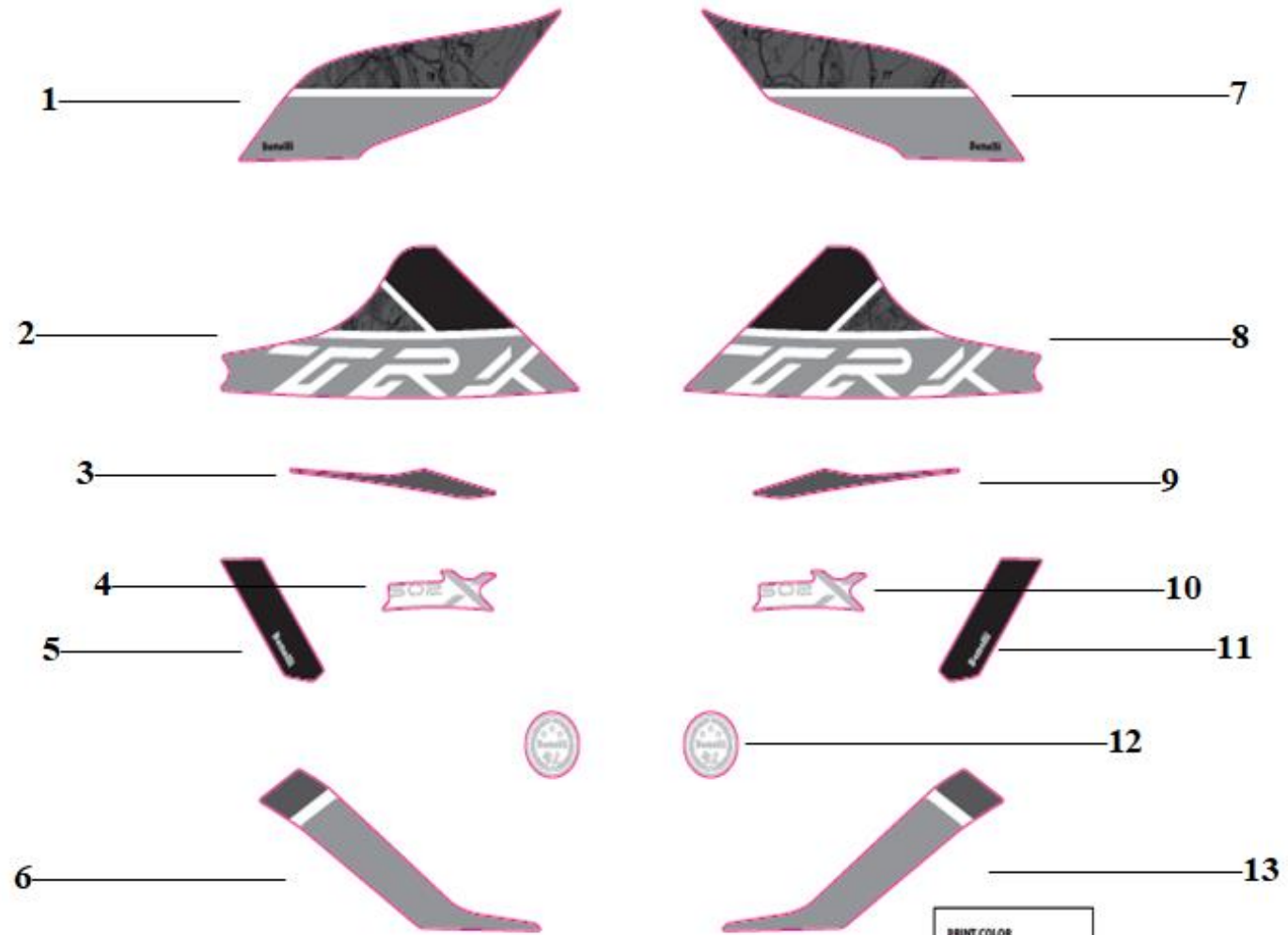


* CHECK STICKERS SHAPE DIMENSIONS ON REAL MOTORBIKE
* THE TRK LOGO IS NEW, DON'T USE OLD VECTOR FILES

PRINT COLOR	
[Pink square]	STICKER CUT
[Black square]	OPSH
[Light grey square]	PANTONE 15071 C
[Dark grey square]	PANTONE 15081 C
[White square]	PANTONE 15091 C

POSITION NO.	CODE	CN DESCRIPTION	EN DESCRIPTION	QTY/UNIT	REMARKS
F25-01	05532P16FH05	油箱右护板贴花	STICKER,FUEL TANK RIGHT SIDE COVER	1	
F25-02	05512P16FH05	右前护板贴花	TRK STICKER,RIGHT FRONT SIDE COVER	1	
F25-03	05522P16FH05	前大罩面板右装饰板贴花	STICKER,FRONT FACEPLATE RIGHT DECORATIVE COVER	1	
F25-04	05514P16JS05	右前护板型号贴花	502X STICKER,RIGHT	1	
F25-05	05502P16WS05	前泥板右侧贴花	STICKER,FRONT FENDER,RIGHT	1	
F25-06	05572P16FH05	右尾罩贴花	STICKER,RIGHT TAIL COVER	1	
F25-07	05531P16FH05	油箱左护板贴花	STICKER,FUEL TANK LEFT SIDE COVER	1	
F25-08	05511P16FH05	左前护板贴花	TRK STICKER,LEFT FRONT SIDE COVER	1	
F25-09	05521P16FH05	前大罩面板左装饰板贴花	STICKER,FRONT FACEPLATE LEFT DECORATIVE COVER	1	
F25-10	05513P16JS05	左前护板型号贴花	502X STICKER,LEFT	1	
F25-11	05501P16WS05	前泥板左侧贴花	STICKER,FRONT FENDER,LEFT	1	
F25-12	05533P16JS05	油箱护板圆形贴花	BENELLI STICKER	1	
F25-13	05571P16FH05	左尾罩贴花	STICKER,LEFT TAIL COVER	1	

F26 STICKER(FOR YELLOW MT)

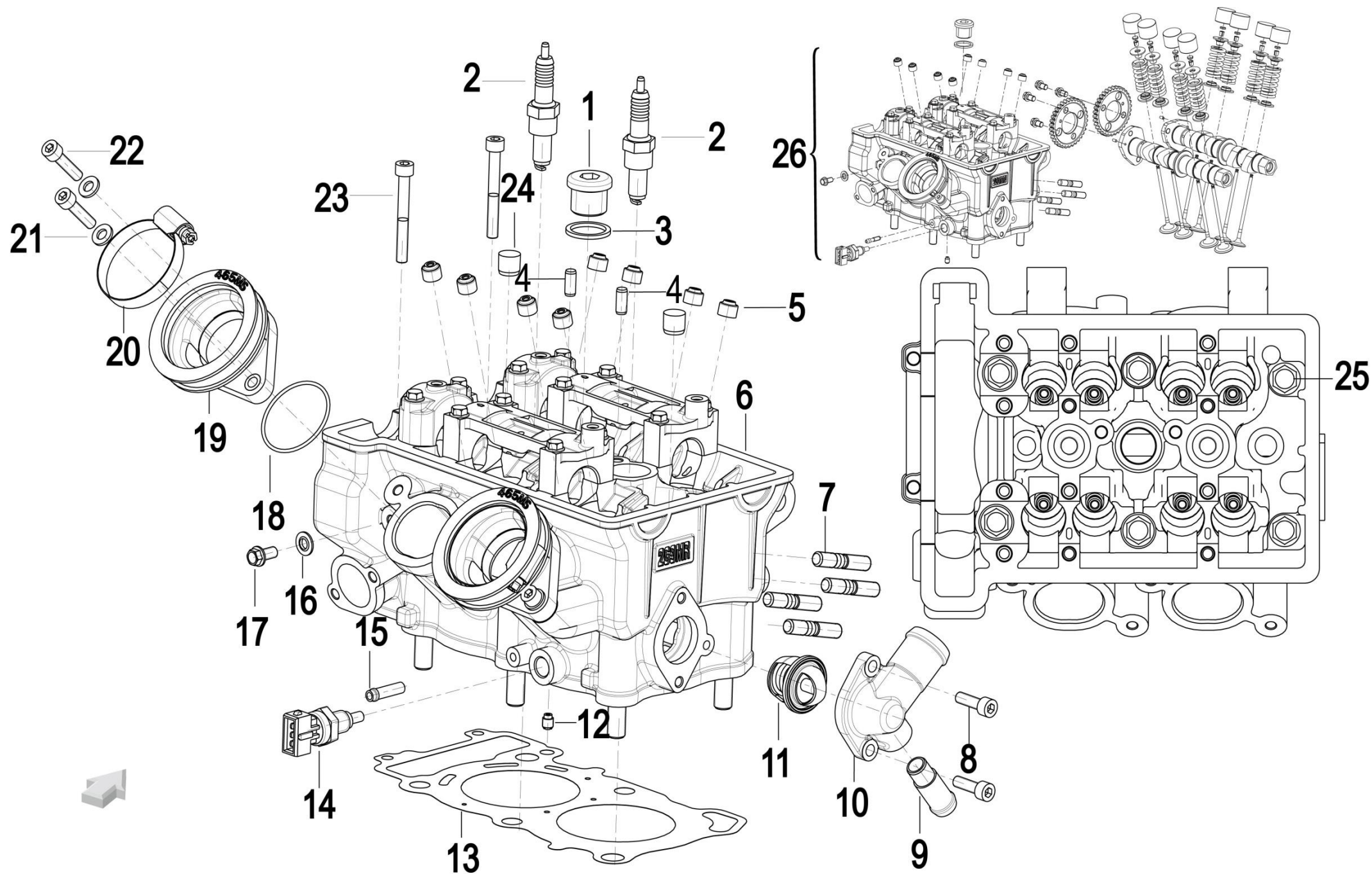


* CHECK STICKERS SHAPE DIMENSIONS ON REAL MOTORBIKE
* THE TRK LOGO IS NEW, DON'T USE OLD VECTOR FILES

PRINT COLOR	
□	STICKER CUT
■	OPERA
■	PANTONE 18077 C
■	PANTONE 1E384 C
■	PANTONE 1E394 C

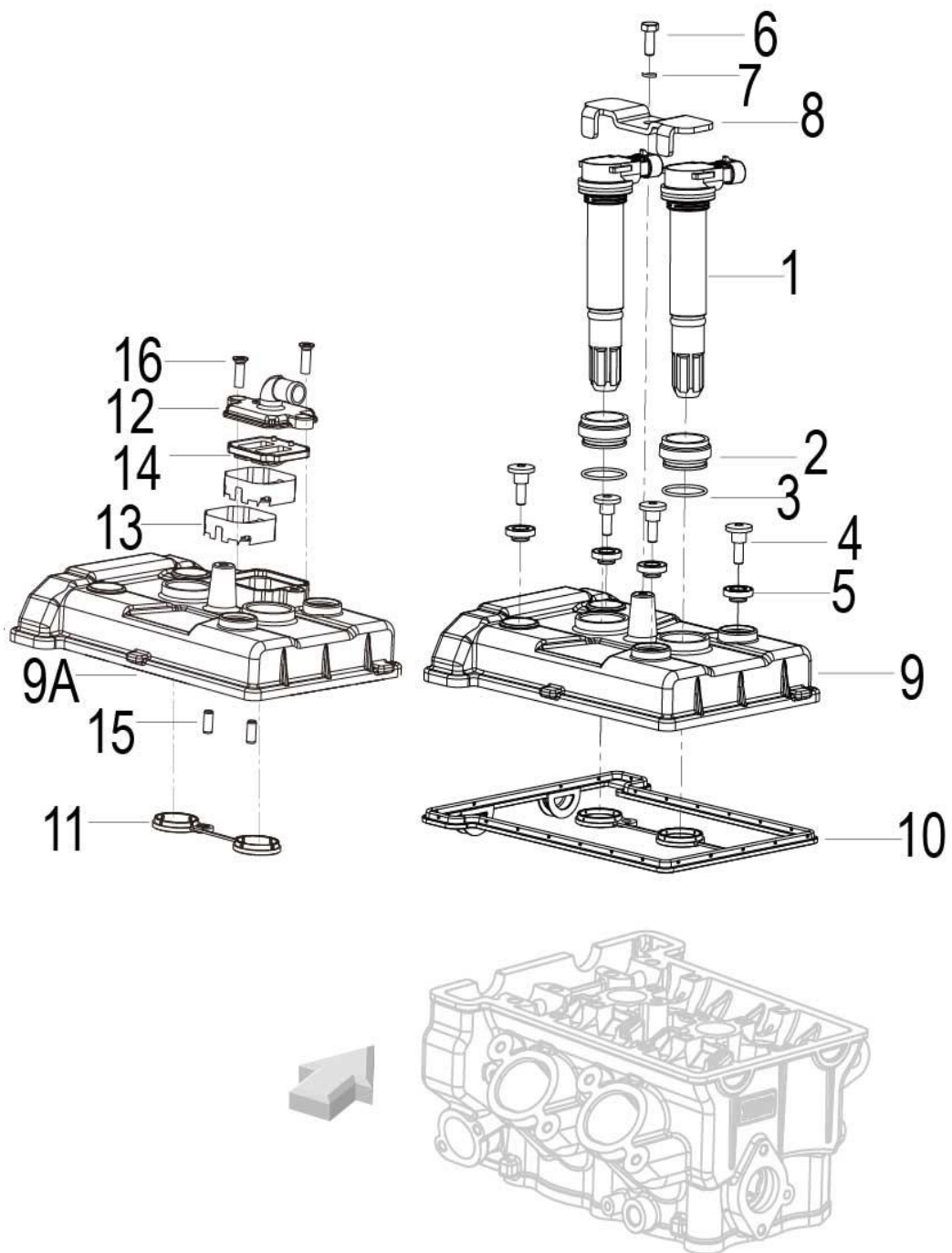
POSITION NO.	CODE	CN DESCRIPTION	EN DESCRIPTION	QTY/UNIT	REMARKS
F26-01	05532P16FH05	油箱右护板贴花	STICKER,FUEL TANK RIGHT SIDE COVER	1	
F26-02	05512P16FH05	右前护板贴花	TRK STICKER,RIGHT FRONT SIDE COVER	1	
F26-03	05522P16FH05	前大罩面板右装饰板贴花	STICKER,FRONT FACEPLATE RIGHT DECORATIVE COVER	1	
F26-04	05514P16WS05	右前护板型号贴花	502X STICKER,RIGHT	1	
F26-05	05502P16WS05	前泥板右侧贴花	STICKER,FRONT FENDER,RIGHT	1	
F26-06	05572P16FH05	右尾罩贴花	STICKER,RIGHT TAIL COVER	1	
F26-07	05531P16FH05	油箱左护板贴花	STICKER,FUEL TANK LEFT SIDE COVER	1	
F26-08	05511P16FH05	左前护板贴花	TRK STICKER,LEFT FRONT SIDE COVER	1	
F26-09	05521P16FH05	前大罩面板左装饰板贴花	STICKER,FRONT FACEPLATE LEFT DECORATIVE COVER	1	
F26-10	05513P16WS05	左前护板型号贴花	502X STICKER,LEFT	1	
F26-11	05501P16WS05	前泥板左侧贴花	STICKER,FRONT FENDER,LEFT	1	
F26-12	05533P16WS05	油箱护板圆形贴花	BENELLI STICKER	1	
F26-13	05571P16FH05	左尾罩贴花	STICKER,LEFT TAIL COVER	1	

E01 CYLINDER HEAD(气缸盖分总成)



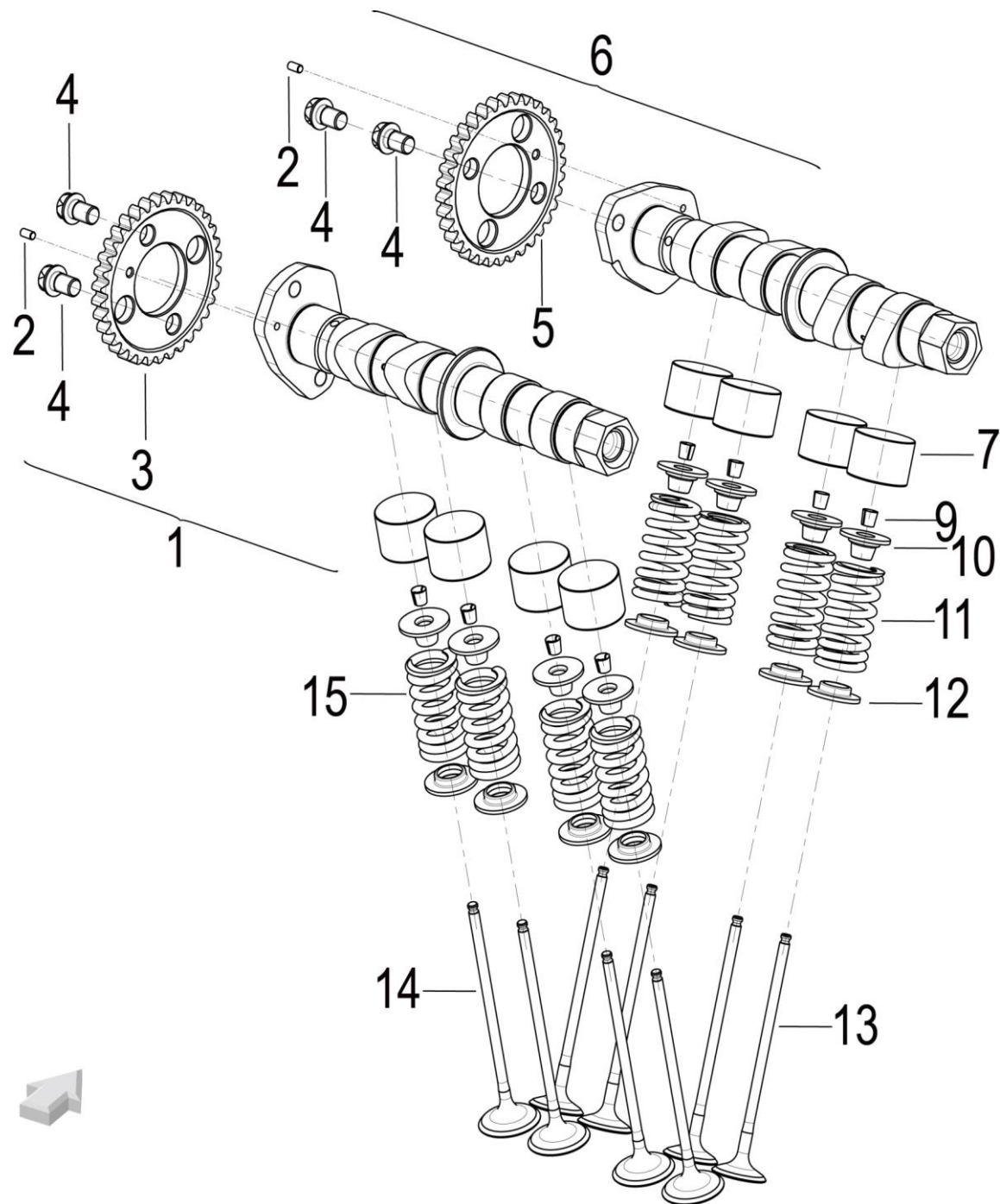
POSITION NO.	CODE	CN DESCRIPTION	EN DESCRIPTION	QTY/UNIT	REMARKS
E01-01	150136030100	螺堵M20	SCREW STOPPER	1	
E01-02	AC-005-1201-0009	火花塞	SPARK PLUG	2	
E01-03	100126030000	水套定位螺钉垫片	WATER JACKET LOCATING SCREW GASKET	1	
E01-04	B091406014A0	定位销	DOWEL PIN	2	
E01-05	120126030000	气门油封	OIL SEAL ASSY	8	
E01-06	10905634NB01	气缸盖机加工组件(炭黑)	CYLINDER HEAD ASSY,CARBON BLACK	1	
E01-07	10004609001X	短双头螺柱M8	SHORT STUD M8	4	
E01-08	270156030010	螺钉M6x20	BOLT M6X20	2	
E01-09	120026280000	管接头	PLUG	1	
E01-10	27077628NB01	恒温器盖(炭黑)	THERMOSTAT COVER,CARBON BLACK	1	
E01-11	279165050000	节温器	WATER THERMOSTAT	1	
E01-12	120166220000	控油螺钉	BOLT	1	
E01-13	109076280000	气缸盖垫片组件	CYLINDER HEAD GASKET	1	
E01-14	270013160002	水温传感器	COOLANT TEMPERATURE SENSOR	1	
E01-15	100106030000	水管	WATER PIPE	1	
E01-16	120133090002	垫片	WASHER	1	
E01-17	160106030100	螺栓M6x12	BOLT M6X12	1	
E01-18	160056090000	O形圈2162 41x1.78	O-RING 41X1.78	2	
E01-19	280146030000	进气管	AIR DUCT	2	
E01-20	280426030000	卡箍组件	CLAMP ASSY	2	
E01-22	B0205060206H	内六角圆柱头螺钉M6x20	SCREW M6X20	4	
E01-23	B0205060508H	内六角螺钉M6X50	SCREW M6X50	2	
E01-24	150166090010	锥形塞M10x1	CONE PLUG M10x1	2	M10x1,start vin ZBNP16011JB946969
E01-25	100236030000	缸头螺栓组件	COMBINATION BOLT	6	
E01-26	10905628NB1Z	气缸盖机加工组件(炭黑)非二次进气	CYLINDER HEAD ASSY,CARBON BLACK,WITHOUT SECODARY AIR INTAKE VALVE	1	

E02 CYLINDER HEAD COVER ASSY(气缸盖罩分总成)



POSITION NO.	CODE	CN DESCRIPTION	EN DESCRIPTION	QTY/ UNIT	REMARKS
E02-01	96200P250000	高压包	IGNITION COIL	2	
E02-02	100286030000	高压包套	HIGH-PRESSURE BUNDLE SLEEVE	2	
E02-03	B190102650B0	O型圈	O-RING	2	
E02-04	110026030010	定位螺钉	DOWEL SCREW	4	
E02-05	100066030000	密封圈分组件	SEAL WASHER ASSY.	4	
E02-06	B0107060166H	螺栓	BOLT	1	
E02-07	B0700000060H	弹簧垫圈φ6	SPRING WASHER 6	1	
E02-08	100276220000	高压包定位夹	COIL POSITIONING CLIP	1	
E02-09	10901622NB01	气缸盖罩(炭黑)	CYLINDER HEAD COVER,CARBON BLACK	1	
E02-10	100146220000	缸盖罩密封垫组件	CYLINDER HEAD COVER GASKET	1	

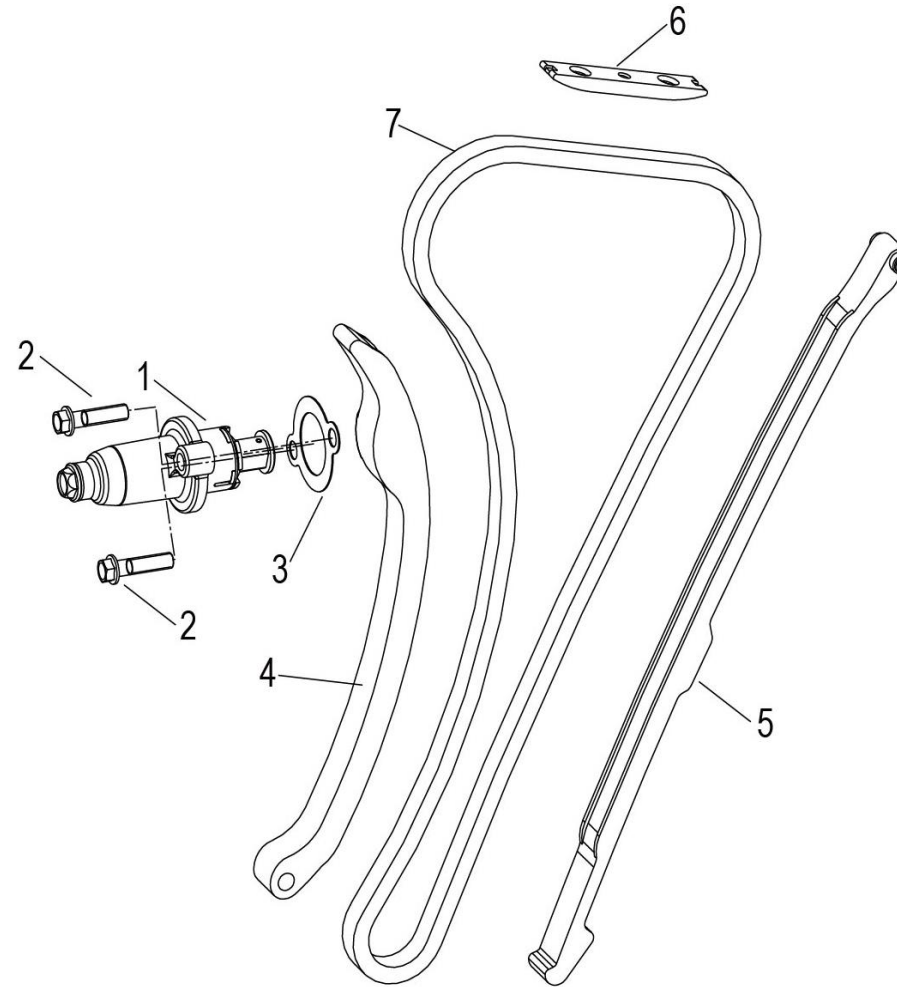
E03 VALVE MECHANISM SUB-ASSEMBLY(配气机构分总成)



POSITION NO.	CODE	CN DESCRIPTION	EN DESCRIPTION	QTY/UNIT	REMARKS
E03-01	129106280030	进气凸轮轴组件	CAMSHAFT ESSY.,IN	1	
E03-02	B090103006A4	销轴3X6	DOWEL,PIN 3X6	2	
E03-03	129036220001	进气凸轮轴链轮	SPROCKET,INTAKE	1	
E03-04	120156030000	螺栓	BOLT	4	
E03-05	129036220000	排气凸轮轴链轮	SPROCKET,EXHAUST	1	
E03-06	129096280030	排气凸轮轴组件	EXHAUST CAMSHAFT ASSY	1	
E03-07	120506030410	气门挺柱标识410	TAPPET,MARK:410	8	
E03-07	120506030412	气门挺柱标识412	TAPPET,MARK:412	8	
E03-07	120506030414	气门挺柱标识414	TAPPET,MARK:414	8	
E03-07	120506030416	气门挺柱标识416	TAPPET,MARK:416	8	
E03-07	120506030418	气门挺柱标识418	TAPPET,MARK:418	8	
E03-07	120506030420	气门挺柱标识420	TAPPET,MARK:420	8	
E03-07	120506030422	气门挺柱标识422	TAPPET,MARK:422	8	
E03-07	120506030424	气门挺柱标识424	TAPPET,MARK:424	8	
E03-07	120506030426	气门挺柱标识426	TAPPET,MARK:426	8	
E03-07	120506030428	气门挺柱标识428	TAPPET,MARK:428	8	
E03-07	120506030430	气门挺柱标识430	TAPPET,MARK:430	8	
E03-07	120506030432	气门挺柱标识432	TAPPET,MARK:432	8	
E03-07	120506030434	气门挺柱标识434	TAPPET,MARK:434	8	
E03-07	120506030436	气门挺柱标识436	TAPPET,MARK:436	8	
E03-07	120506030438	气门挺柱标识438	TAPPET,MARK:438	8	
E03-07	120506030440	气门挺柱标识440	TAPPET,MARK:440	8	
E03-07	120506030442	气门挺柱标识442	TAPPET,MARK:442	8	
E03-07	120506030444	气门挺柱标识444	TAPPET,MARK:444	8	
E03-07	120506030446	气门挺柱标识446	TAPPET,MARK:446	8	
E03-07	120506030448	气门挺柱标识448	TAPPET,MARK:448	8	
E03-07	120506030450	气门挺柱标识450	TAPPET,MARK:450	8	
E03-07	120506030452	气门挺柱标识452	TAPPET,MARK:452	8	
E03-07	120506030454	气门挺柱标识454	TAPPET,MARK:454	8	

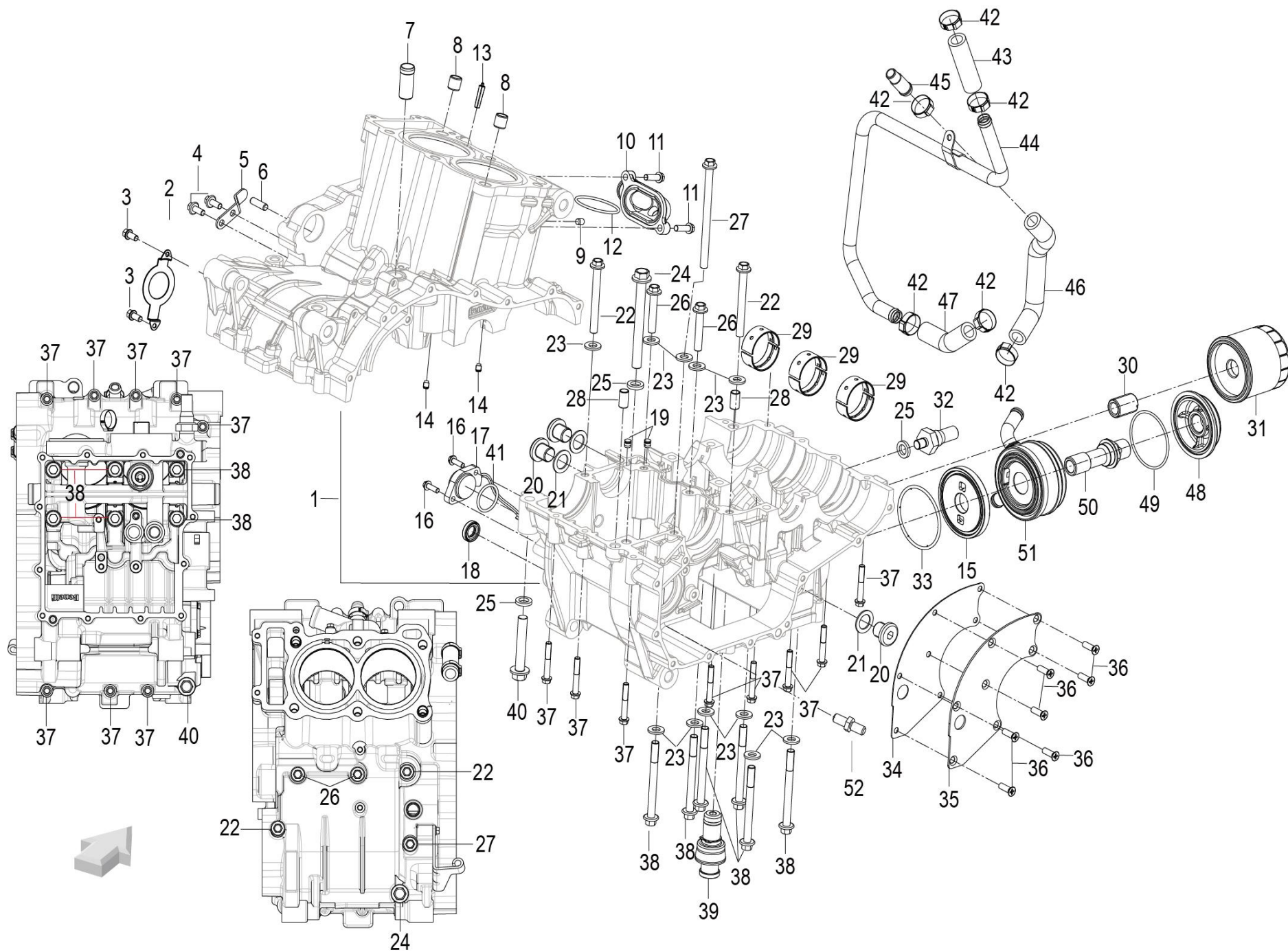
POSITION NO.	CODE	CN DESCRIPTION	EN DESCRIPTION	QTY/UNIT	REMARKS
E03-07	120506030456	气门挺柱标识456	TAPPET,MARK:456	8	
E03-07	120506030458	气门挺柱标识458	TAPPET,MARK:458	8	
E03-07	120506030460	气门挺柱标识460	TAPPET,MARK:460	8	
E03-07	120506030462	气门挺柱标识462	TAPPET,MARK:462	8	
E03-07	120506030464	气门挺柱标识464	TAPPET,MARK:464	8	
E03-07	120506030466	气门挺柱标识466	TAPPET,MARK:466	8	
E03-07	120506030468	气门挺柱标识468	TAPPET,MARK:468	8	
E03-07	120506030470	气门挺柱标识470	TAPPET,MARK:470	8	
E03-07	120506030472	气门挺柱标识472	TAPPET,MARK:472	8	
E03-07	120506030474	气门挺柱标识474	TAPPET,MARK:474	8	
E03-07	120506030476	气门挺柱标识476	TAPPET,MARK:476	8	
E03-07	120506030478	气门挺柱标识478	TAPPET,MARK:478	8	
E03-09	120086030000	气门锁块	COTTER,VALVE	16	
E03-10	129336220000	气门弹簧上座	UPPER SPRING SEAT	8	
E03-12	129216220000	气门弹簧下座	LOWER SPRING SEAT	8	
E03-13	129196030000	排气门	VALVE,EXHAUST	4	
E03-11	120186220000	排气弹簧	SPRING,UPPER VALVE	4	
E03-14	129186030000	进气门	VALVE,INTAKE	4	
E03-15	120176220000	进气弹簧	SPRING,VALVE INLET	4	

E04 STRAINER UNIT ASSEMBLY(正时传动机构分总成)



POSITION NO.	CODE	CN DESCRIPTION	EN DESCRIPTION	QTY/UNIT	REMARKS
E04-01	140036030000	分气链条调整器	CAMSHAFT CHAIN TENSIONER	1	
E04-02	160106030120	螺栓M6X25	BOLT M6X25	2	
E04-03	140176030000	垫片	WASHER	1	
E04-04	140026280010	主导链板	REAR CHAIN GUIDE ASSY.	1	
E04-05	149026280000	副导链板组件	FRONT CHAIN GUIDE	1	
E04-06	140186030000	上挡链板分组件	CHAIN PLATE COMPONENTS	1	
E04-07	129026280000	正时链条	CAMSHAFT CHAIN	1	

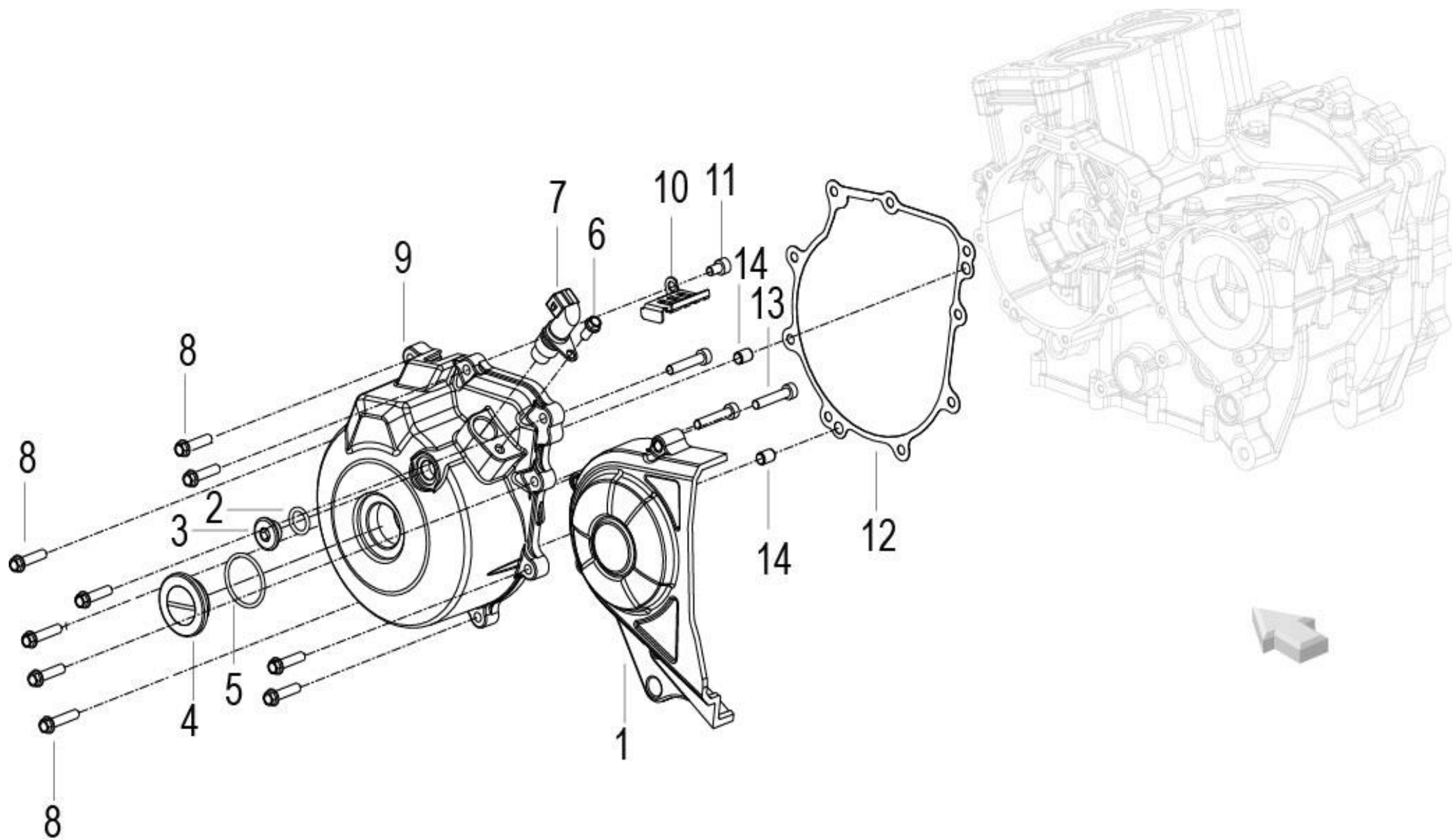
E05 CRANKCASE SUB-ASSY(曲轴箱分总成)



POSITION NO.	CODE	CN DESCRIPTION	EN DESCRIPTION	QTY/UNIT	REMARKS
E05-01	15005628NB01	曲轴箱机加工组件(炭黑)	CRANKCASE ASSY,CARBON BLACK	1	
E05-02	150346030030	油封压板	SEAL PLATE	1	
E05-03	B01070601263	螺栓M6x12	BOLT M6X12	2	
E05-04	B0107060146H	螺栓M6x14	BOLT M6X14	2	
E05-05	150136220000	压板	PRESS PLATE	1	
E05-06	150156220000	导链板销	CHAIN PLATE GUIDE PIN	1	
E05-07	150146220000	管接头	PIPE	1	
E05-08	170236090000	定位销10.5x13x13	DOWEL PIN 10.5x13x13	2	
E05-09	150103070000	堵头	PLUG	1	
E05-10	15016628NB01	水管接头(炭黑)	INLET PIPE,CARBON BLACK	1	
E05-11	270156030010	螺栓M6X20	BOLT M6X20	2	
E05-12	150066030000	密封圈46X2.4	RING 46X2.4	1	
E05-13	150116220000	橡胶塞	RUBBER PLUG	1	
E05-14	120166030100	控油螺钉	BOLT	2	
E05-15	150126280000	油冷器接头	OIL COOLER TIE-IN	1	
E05-16	150316030180	螺栓M5X16	BOLT M5X16	2	
E05-17	150196030020	档位传感器	GEAR SENSOR	1	
E05-18	150025040000	油封 I	OIL SEAL	1	
E05-19	150076280000	节流堵头	PLUG	2	
E05-20	150086030100	螺堵M16	SCREW STOPPER M16	3	
E05-21	150086220000	铜垫圈M16	WASHER M16	3	
E05-22	150316030110	螺栓M8X75	BOLT M8X75	2	
E05-23	150156030000	垫圈M8	WASHER M8	11	
E05-24	150316030120	螺栓M10X100	BOLT M10X100	1	
E05-25	240056090000	垫片 11x18x3	GASKET 11x18x3	3	
E05-26	150316030140	螺栓M8X45	BOLT M8X45	2	
E05-27	150316030130	螺栓M8X115	BOLT M8X115	1	
E05-28	150056030000	定位销	DOWEL PIN	2	
E05-29	150026280030	主轴瓦(红)	BEARING,RED	6	

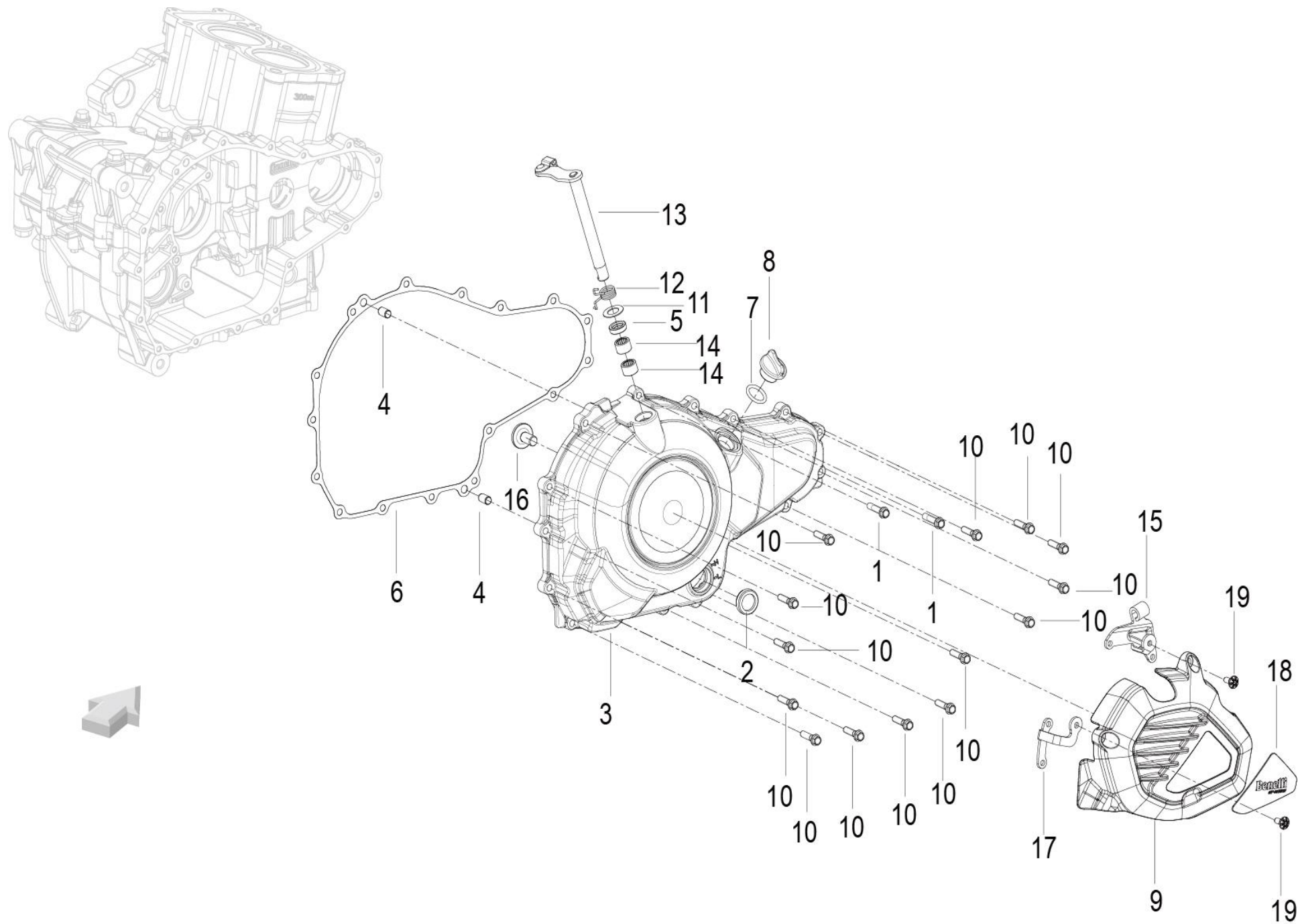
POSITION NO.	CODE	CN DESCRIPTION	EN DESCRIPTION	QTY/UNIT	REMARKS
E05-30	160106110000	连接螺栓	CONNECT BOLT	1	
E05-31	260146090010	机油滤清器	OIL FILTER	1	
E05-32	240026090000	最小机油压力开关	MINIMUM OIL PRESSURE SWITCH	1	
E05-33	270056030010	O型圈(氟橡胶)	O RING	1	
E05-34	150036220000	呼吸阀纸垫	BREATHING VALVE GASKET	1	
E05-35	150046220000	呼吸阀隔板	BREATHING VALVE SPACER	1	
E05-36	B0201060162H	十字槽沉头螺钉M6x16	SCREW M6X16	7	
E05-37	150316030150	螺栓M6X40	BOLT M6X40	8	
E05-38	B01070808591	螺栓M8x85	BOLT M8X85	6	
E05-39	260126030010	溢流阀组件	REDUCING VALVE	1	
E05-40	150316030160	螺栓M10X60	BOLT M10X60	1	
E05-41	B190102580B0	O形密封圈	O RING	1	
E05-42	150226280000	卡箍	CLIP	6	
E05-43	150186280000	软管 I	FLEXIBLE PIPE I	1	
E05-44	150216280000	成型管组件	PIPE ASSEMBLY	1	
E05-45	150176280000	管接头	PIPE	1	
E05-46	150206280000	软管Ⅲ	FLEXIBLE PIPE Ⅲ	1	
E05-47	150196280000	软管Ⅱ	FLEXIBLE PIPE Ⅱ	1	
E05-48	150156280010	油冷器盖(钱江灰)	OIL COOLER COVER,GREY	1	
E05-49	120055050000	O型圈	O RING	1	
E05-50	150146280000	油冷器固定螺栓	OIL COOLER BOLT	1	
E05-51	150136280000	油冷器组件	OIL COOLER ASSY	1	
E05-52	150116030100	变档臂定位轴	VARIABLE GEAR ARM POSITIONING SHAFT	1	

E06 LEFT COVER ASSY (左盖分总成)



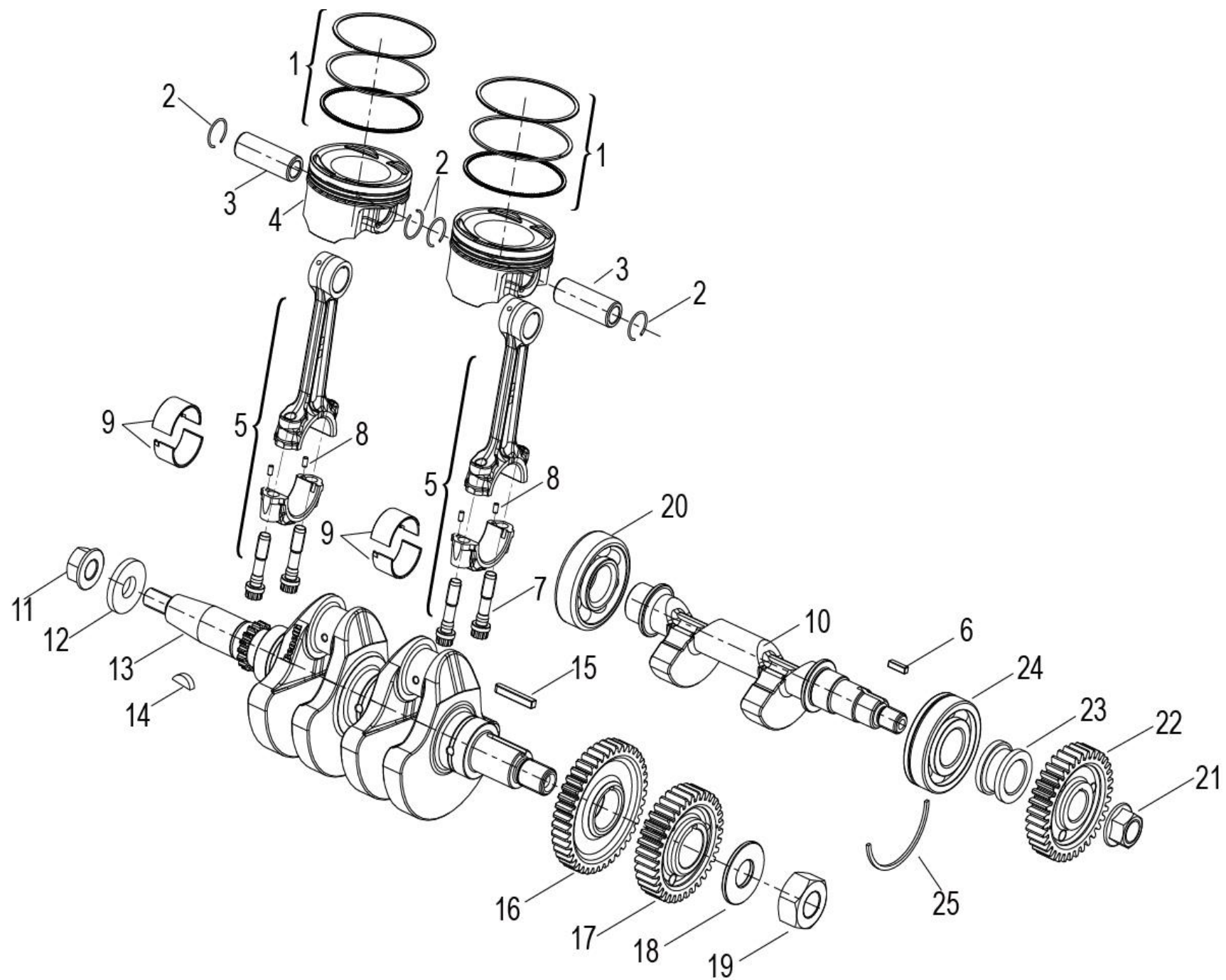
POSITION NO.	CODE	CN DESCRIPTION	EN DESCRIPTION	QTY/UNIT	REMARKS
E06-01	16904628NB01	左后盖组件(炭黑)	LEFT BACK COVER,CARBON BLACK	1	
E06-02	B190101330B0	O型圈13.3x2.65	O RING 13.3X2.65	1	
E06-03	16005307NB01	螺塞(炭黑)	PLUG SEE,CARBON BLACK	1	
E06-04	16916603NB01	观察孔盖(炭黑)	TIMING MARK ACCESSING SCREW,CARBON BLACK	1	
E06-05	160076030000	O型圈32x2.5	O RING 32X2.5	1	
E06-06	160106030100	螺栓M6x12	BOLT M6X12	1	
E06-07	290016220000	曲轴位置传感器	PHASE SENSOR	1	
E06-08	160106030120	螺栓M6x25	SCREW M6x25	9	
E06-09	16902622NB01	左盖(炭黑)	LEFT COVER,CARBON BLACK	1	
E06-10	160046030000	压线夹	CLAMP PRESSURE	1	
E06-11	B0205060128H	内六角螺钉M6x12	SCREW M6X12	1	
E06-12	169076220000	左盖垫片	LEFT COVER GASKET	1	
E06-13	B0205060326H	螺钉M6x32	SCREW M6X32	3	
E06-14	160056030000	定位销	DOWEL PIN	2	

E07 RIGHT COVER ASSY (右盖分总成)



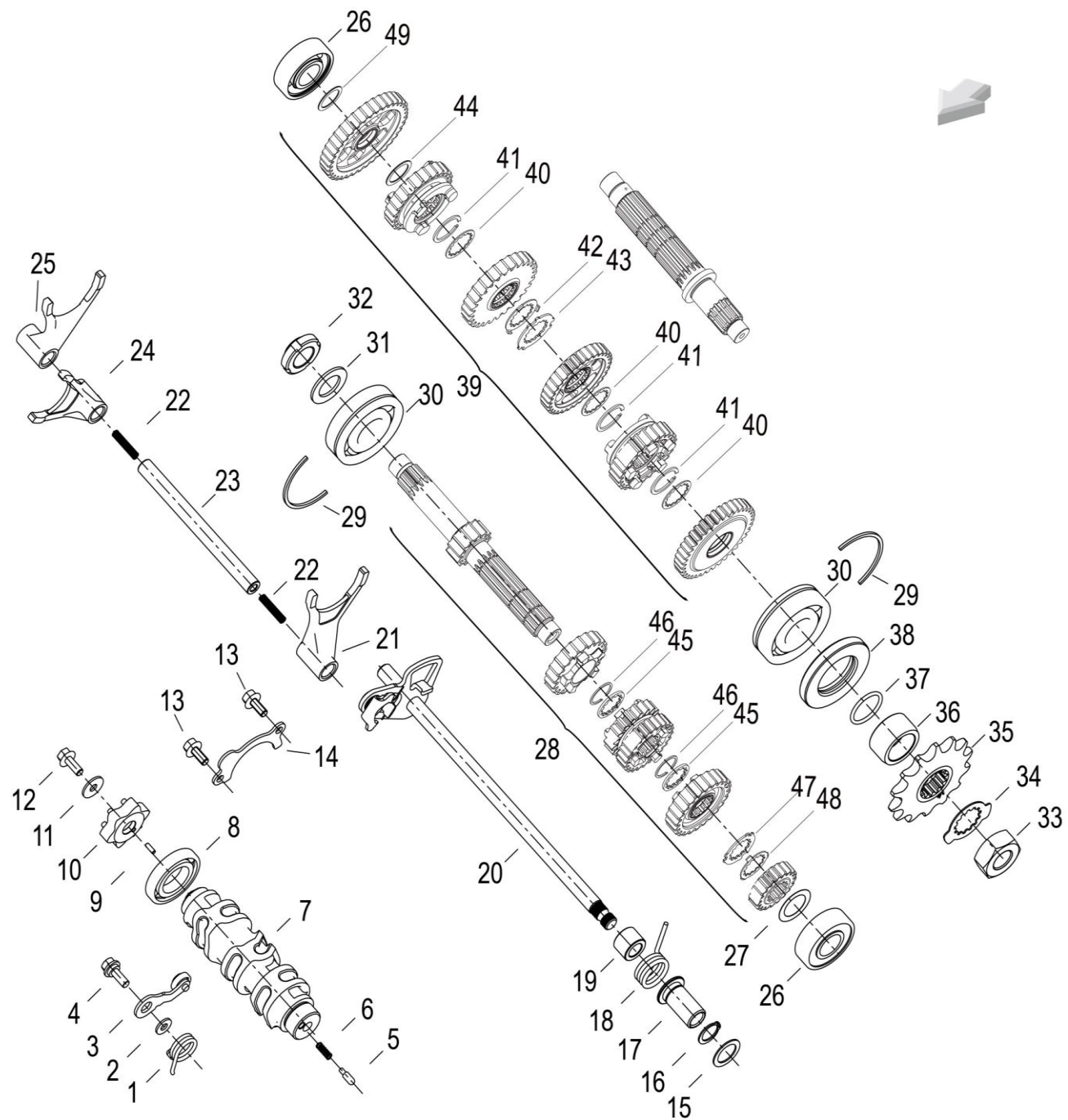
POSITION NO.	CODE	CN DESCRIPTION	EN DESCRIPTION	QTY/ UNIT	REMARKS
E07-01	270016220020	螺栓M6X28	BOLT M6X28	2	
E07-02	160083090000	油面指示器组合	OIL LEVEL INDICATOR	1	
E07-03	16910628NB01	右盖(炭黑)	RIGHT COVER,CARBON BLACK	1	
E07-04	160073070000	定位销6.7 X 8 X 14	DOWEL PIN	2	
E07-05	200001050000	分离杆油封	OIL SEAL	1	
E07-06	169116220010	右盖垫片	RIGHT COVER GASKET	1	
E07-07	160063070000	O型圈18X3.5	O-RING	1	
E07-08	16006309NB01	加油口螺塞(炭黑)	OIL FILLER PLUG,CARBON BLACK	1	
E07-09	16009628BG01	右护罩(哑黑)	RIGHT PROTECTOR COVER,MATT BLACK	1	
E07-10	160106030120	螺栓M6X25	BOLT M6X25	14	
E07-11	200056030000	垫圈12X22X0.8	WASHER 12X22X0.8	1	
E07-12	200046030000	离合器分离杆弹簧	CLUTCH RELEASE SPRING	1	
E07-13	200096280010	操纵杆铆接组件	OPERATING LEVER ASSY	1	
E07-14	B1212K121002	滚针轴承12x16x10	NEEDLE ROLLER BEARING 12X16X10	2	
E07-15	160096340000	右护罩支架I组件	BRACKET I,RIGHT PROTECTOR COVER	1	
E07-16	200066280000	推杆头	HANDSPIKE	1	
E07-17	160106340000	右护罩支架II组件	BRACKET II,RIGHT PROTECTOR COVER	1	
E07-18	160086280000	右护罩标牌	BENELLI LABEL	1	
E07-19	B0284060150A	螺钉M6x15.2	SCREW M6x15.2	2	

E08 PISTON,CONNECTING ROD & CRANKSHAFT ASSY(活塞连杆曲轴平衡轴分总成)



POSITION NO.	CODE	CN DESCRIPTION	EN DESCRIPTION	QTY/UNIT	REMARKS
E08-01	170046280000	活塞环组件	PISTON RING ASSY	2	
E08-02	179155050000	活塞销挡圈	PISTON PIN CLIP	4	
E08-03	179146280010	活塞销	PISTON PIN	2	
E08-04	179136280010	活塞	PISTON	2	
E08-05	179036280010	连杆组件	CONNECTING ROD ASSY.	2	
E08-06	B11130044014	平键	FLAT KEY	1	
E08-07	170036280000	连杆螺栓	SCREW	4	
E08-08	B091403006A1	销	PIN	4	
E08-09	179076280000	连杆轴瓦(蓝)	BEARING,BLUE	4	
E08-09	179076280010	连杆轴瓦(绿)	BEARING,GREEN	4	
E08-09	179076280020	连杆轴瓦(黄)	BEARING,YELLOW	4	
E08-10	179256280010	平衡轴	BALANCE SHAFT	1	
E08-11	170044320000	六角法兰面螺母M14X1	NUT M14X1	1	
E08-12	170106030010	飞轮垫圈	WASHER	1	
E08-13	179016280010	曲轴组件	CRANKSHAFT ASSY	1	
E08-14	170065050000	键	KEY,WOODRUFF	1	
E08-15	170096220000	键	FLAT KEY	1	
E08-16	170016280010	主动齿轮	DRIVING GEAR	1	
E08-17	179236220000	平衡轴主动齿轮	BALANCER DRIVE GEAR	1	
E08-18	170016110000	垫片	WASHER	1	
E08-19	170126220000	I型六角螺母	NUT M18X1.5	1	
E08-20	B12016030503	滚动轴承	BALL BEARING	1	
E08-21	170186220100	平衡轴螺母M14X1.5	NUT M14X1.5	1	
E08-22	179366220000	平衡轴从动齿轮	BALANCER DRIVEN GEAR ASSY	1	
E08-23	170026280000	轴套	COLLAR	1	
E08-24	210136030010	深沟球轴承	ROLLER BEARING	1	
E08-25	210186030000	轴承挡圈	STEEL WIRE DUMPING RING	1	

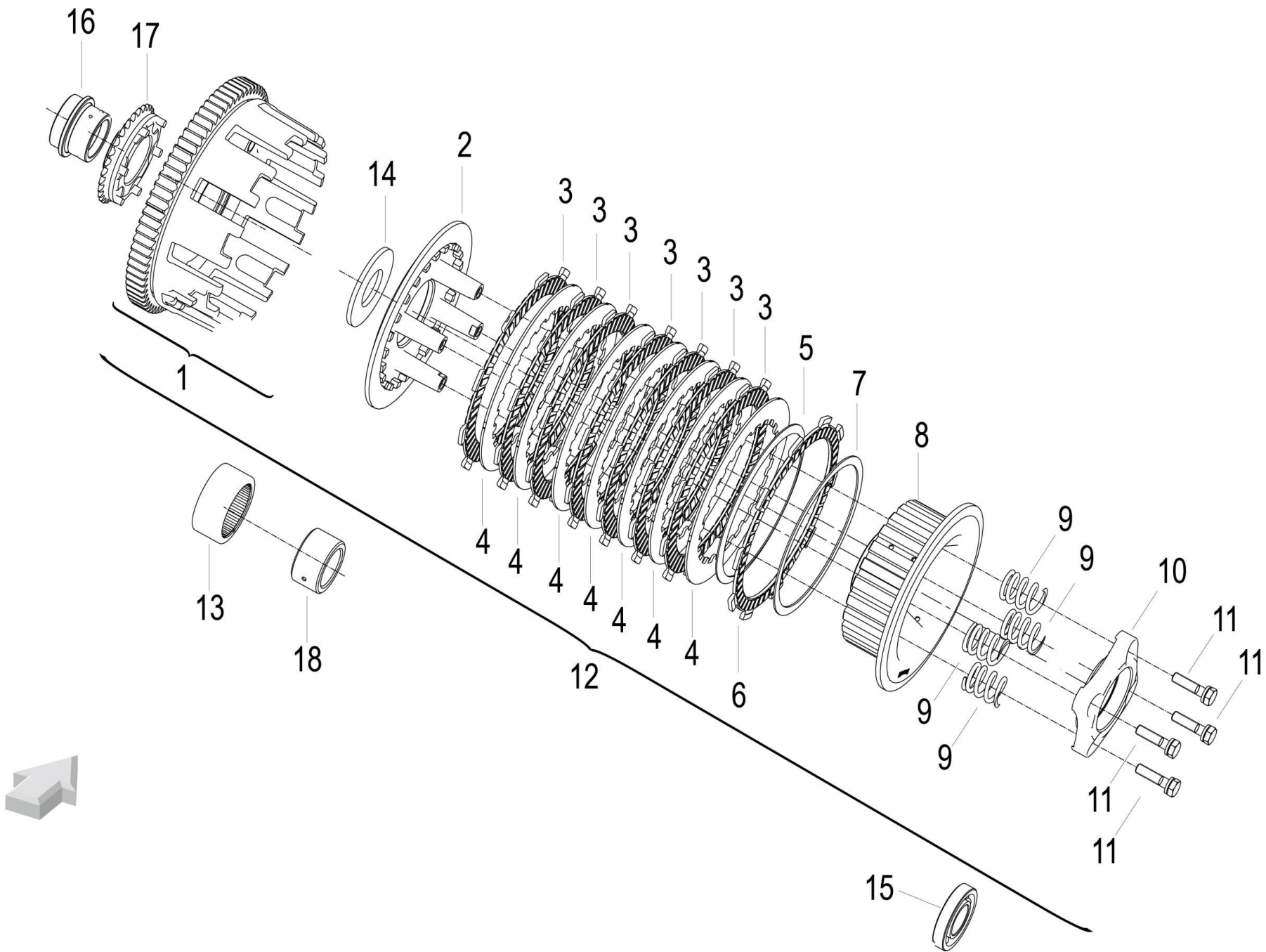
E09 GEAR SHIFT MECHANISM ASSEMBLY (变速换档机构分总成)



POSITION NO.	CODE	CN DESCRIPTION	EN DESCRIPTION	QTY/UNIT	REMARKS
E09-01	219016220000	摇臂弹簧	STOPPER LEVER SPRING	1	
E09-02	210343090000	垫片 6.2×14×1.5	WASHER 6.2×14×1.5	1	
E09-03	219046220000	摇臂组件	STOPPER LEVER ASSY	1	
E09-04	210303420000	变档定位滚轮臂轴	SHIFT POSITIOMING ROLLER ARM AXLE	1	
E09-05	210323090000	变档转换触头	SHIFT PROD	1	
E09-06	210313090000	触头弹簧	PROD SPRING	1	
E09-07	219056030000	变档鼓	SHIFT DRUM	1	
E09-08	B12016600501	滚动轴承 16005	BEARING 16005	1	
E09-09	210356030000	定位销	DOWEL PIN	1	
E09-10	210366030000	荆轮	SEGMENT	1	
E09-11	210376030000	垫片	WASHER	1	
E09-12	B0107060156H	六角法兰面螺栓 M6×15	BOLT,FLANGE,M6×15	1	
E09-13	B0109060146H	六角法兰面螺栓 M6×14	BOLT,FLANGE,M6×14	2	
E09-14	210036030000	压板	PLATE,BEARING SETTING	1	
E09-15	210406030000	垫圈	WASHER	1	
E09-16	B08010001701	轴用弹性挡圈17	CIRCLIP 17	1	
E09-17	210396030000	止动臂轴套	SLEEVE,STOP ARM	1	
E09-18	210056030000	变档臂弹簧	SHIFT SHAFT SPRING	1	
E09-19	210046030000	变档臂轴套	SHIFT SHAFT SLEEVE	1	
E09-20	219066280010	变档臂组件	SHIFT SHAFT ASSY	1	
E09-21	219106030000	左拨叉	LEFT SHIFT FORKS	1	
E09-22	210016030000	拨叉轴弹簧	SPRING,SHAFT,SHIFT FORK	2	
E09-23	219086030000	拨叉轴	SHIFT FORK SHAFT	1	
E09-24	219116030000	中拨叉	MIDDLE SHIFT FORK	1	
E09-25	219126030000	右拨叉	RIGHT SHIFT FORK	1	
E09-26	B12016020406	滚动轴承 6204-Z	BEARING 6204-Z	2	
E09-27	210566030010	垫片	WASHER	1	
E09-28	219136280000	主轴组件	PRIMARY SHAFT ASSY	1	
E09-29	210186030000	轴承档圈	BEARING CIRCLIP	2	

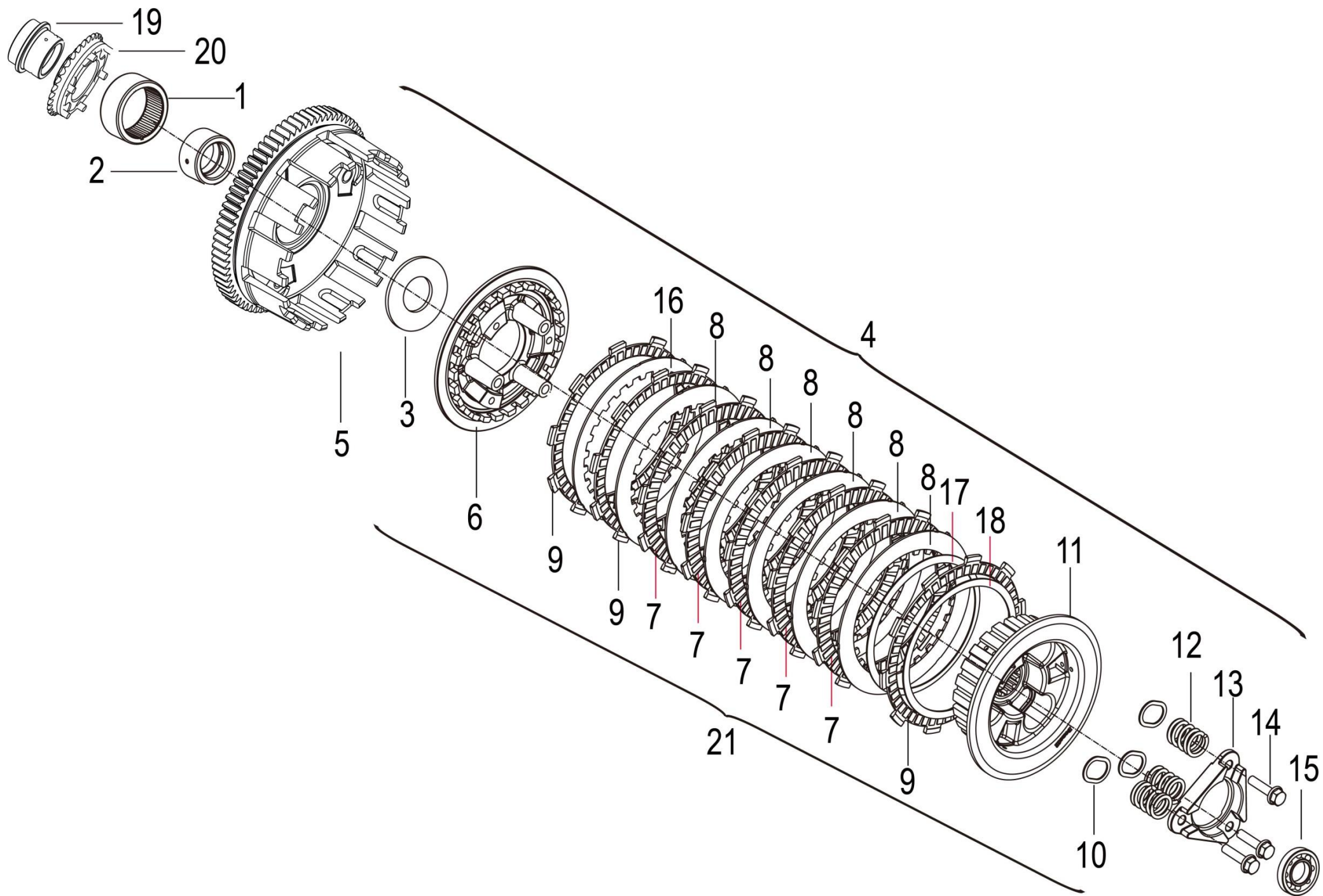
POSITION NO.	CODE	CN DESCRIPTION	EN DESCRIPTION	QTY/UNIT	REMARKS
E09-30	210136030010	深沟球轴承	BEARING	2	
E09-31	210156030001	垫圈	WASHER	1	
E09-32	210166030101	螺母	CLUTCH NUT	1	
E09-33	210196030000	螺母 M18x1	NUT M18x1	1	
E09-34	210306030000	内花键锁止垫圈	WASHER	1	
E09-35	219296030000	输出链轮	DRIVE SPROCKET	1	
E09-36	210206030000	轴套 25	SHAFT SLEEVE 25	1	
E09-37	210316030000	O型圈 25x2.5	O RING 25x2.5	1	
E09-38	210216030010	油封	OIL SEAL	1	
E09-39	219216030000	副轴组件	SECONDARY SHAFT ASSY	1	
E09-40	210236030000	内花键垫圈	WASHER	3	
E09-41	210246030000	档圈 28	CIRCLIP 28	3	
E09-42	210276030000	内花键锁止垫圈	WASHER	1	
E09-43	210266030000	内花键垫圈	WASHER	1	
E09-44	210326030000	垫圈 22x30x1	WASHER 22x30x1	1	
E09-45	210096030000	内花键垫圈	WASHER	2	
E09-46	210106060000	弹性环 24	CIRCLIP 24	2	
E09-47	210076030000	内花键垫圈	WASHER	1	
E09-48	210066030000	内花键锁止垫圈	WASHER	1	
E09-49	210296030000	垫圈20	WASHER	1	

E10 CLUTCH SYSTEM(离合器分总成)



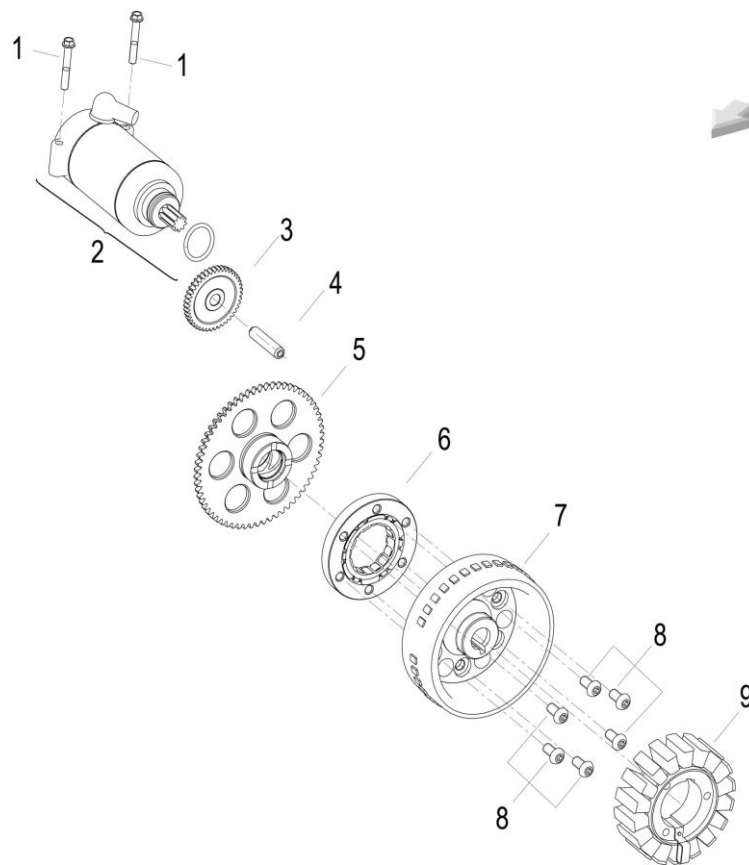
POSITION NO.	CODE	CN DESCRIPTION	EN DESCRIPTION	QTY/UNIT	REMARKS
E10-01	209016280020	离合器主动毂组件	CLUTCH HOUSING	1	
E10-02	200206030001	离合器从动毂	CLUTCH HUB	1	
E10-03	200376030000	摩擦片(II)	PLATE, FRICTION(II)	7	
E10-04	200216030000	离合器片	CLUTCH PLATE	7	
E10-05	200226030001	蝶形弹簧	DISC SPRING	1	
E10-06	200366030000	摩擦片(I)	PLATE, FRICTION(I)	1	
E10-07	200236030001	垫圈	WASHER	1	
E10-08	200306030001	从动毂座组件	DRIVEN DISK ASSY, CLUTCH	1	
E10-09	200246030001	离合器弹簧	CLUTCH SPRING	4	
E10-10	200256030001	压板	PRESS PLATE	1	
E10-11	B1331060250N	组合螺栓	BOLTS ASSEMBLY	4	
E10-12	209106280010	离合器组件	CLUTCH ASSY	1	
E10-13	200476030000	滚针轴承	ROLLER BEARING	1	
E10-14	200446030000	垫圈	WASHER	1	
E10-15	B12016600401	深沟球轴承	BEARING	1	
E10-16	210146280000	链轮轴套	SPROCKET SHAFT SLEEVE	1	
E10-17	269116030000	机油泵驱动链轮	OIL PUMP DRIVE SPROCKET	1	
E10-18	200176030001	轴套	COLLAR	1	

E10_1 CLUTCH SYSTEM(离合器分总成) (start vin ZBNP1602XMBD44958.2021/8/9)



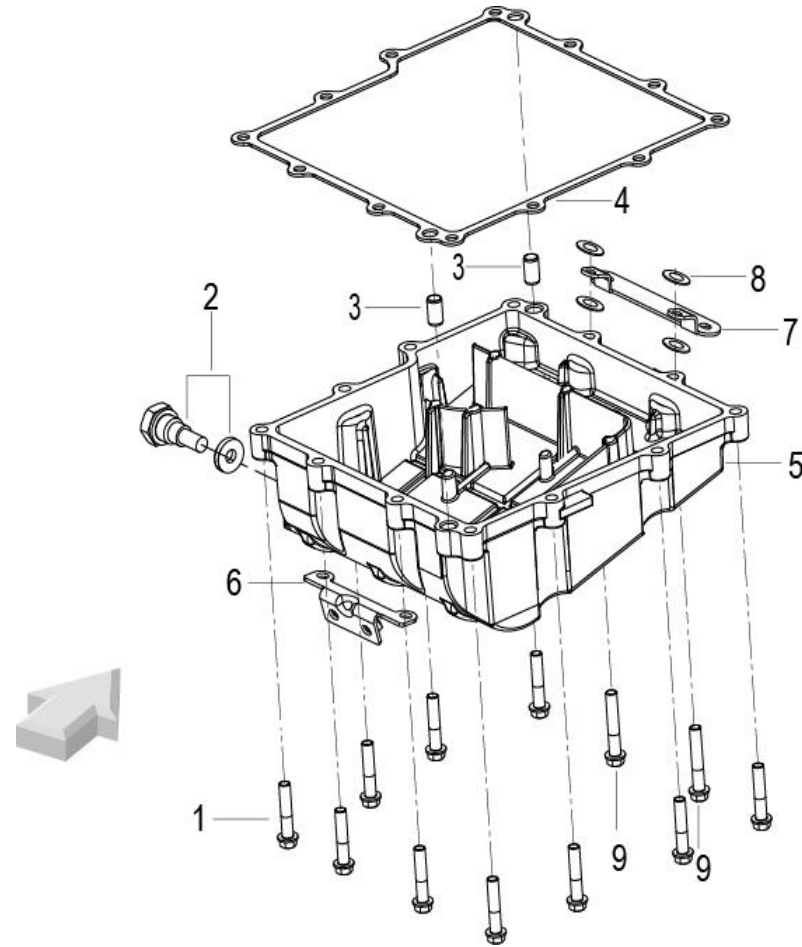
POSITION NO.	CODE	CN DESCRIPTION	EN DESCRIPTION	QTY/UNIT	REMARKS
E10_1-01	200476030000	滚针轴承	NEEDLE BEARING	1	start vin ZBNP1602XMBD44958.2021/8/9
E10_1-02	200176030001	轴套	BUSHING	1	
E10_1-03	200446030000	垫圈	WASHER	1	
E10_1-04	209016280030	离合器组件	CLUTCH ASSEMBLY	1	
E10_1-05	209016280020	离合器主动毂组件	CLUTCH INITIAIVE HUB ASSEMBLY	1	
E10_1-06	209156280030	离合器中轴压盘	CLUTCH DRIVEN HUB	1	
E10_1-07	200376030000	摩擦片(II)	FRICTIONAL GASKET(II)	5	
E10_1-08	200216030010	离合器片	CLUTCH GASKET	6	
E10_1-09	200366030000	摩擦片(I)	FRICTIONAL GASKET(I)	3	
E10_1-10	200326280000	垫片2	GASKET 2	3	
E10_1-11	209146280030	离合器中轴组件	CLUTCH DRIVEN HUB ASSEMBLY	1	
E10_1-12	209186280030	离合器弹簧	CLUTCH SPRING	3	
E10_1-13	209166280030	弹簧压板	BINDER PLATE	1	
E10_1-14	B0109060306H	螺栓M6×30	BOLT M6×30	3	
E10_1-15	B12016600401	滚动轴承	ROLL BEARING	1	
E10_1-16	209176280040	离合器片 I	CLUTCH GASKET I	1	
E10_1-17	200226030001	碟形弹簧	SPRING	1	
E10_1-18	200236030001	垫圈	WASHER	1	
E10_1-19	210146280000	链轮轴套	SPROCKET SHAFT SLEEVE	1	
E10_1-20	269116030000	机油泵驱动链轮	OIL PUMP DRIVE SPROCKET	1	
E10_1-21	209036280030	离合器从动盘组件	CLUTCH DRIVEN ASSY	1	

E11 ELECTRIC STARTER ASSY(电起动分总成)



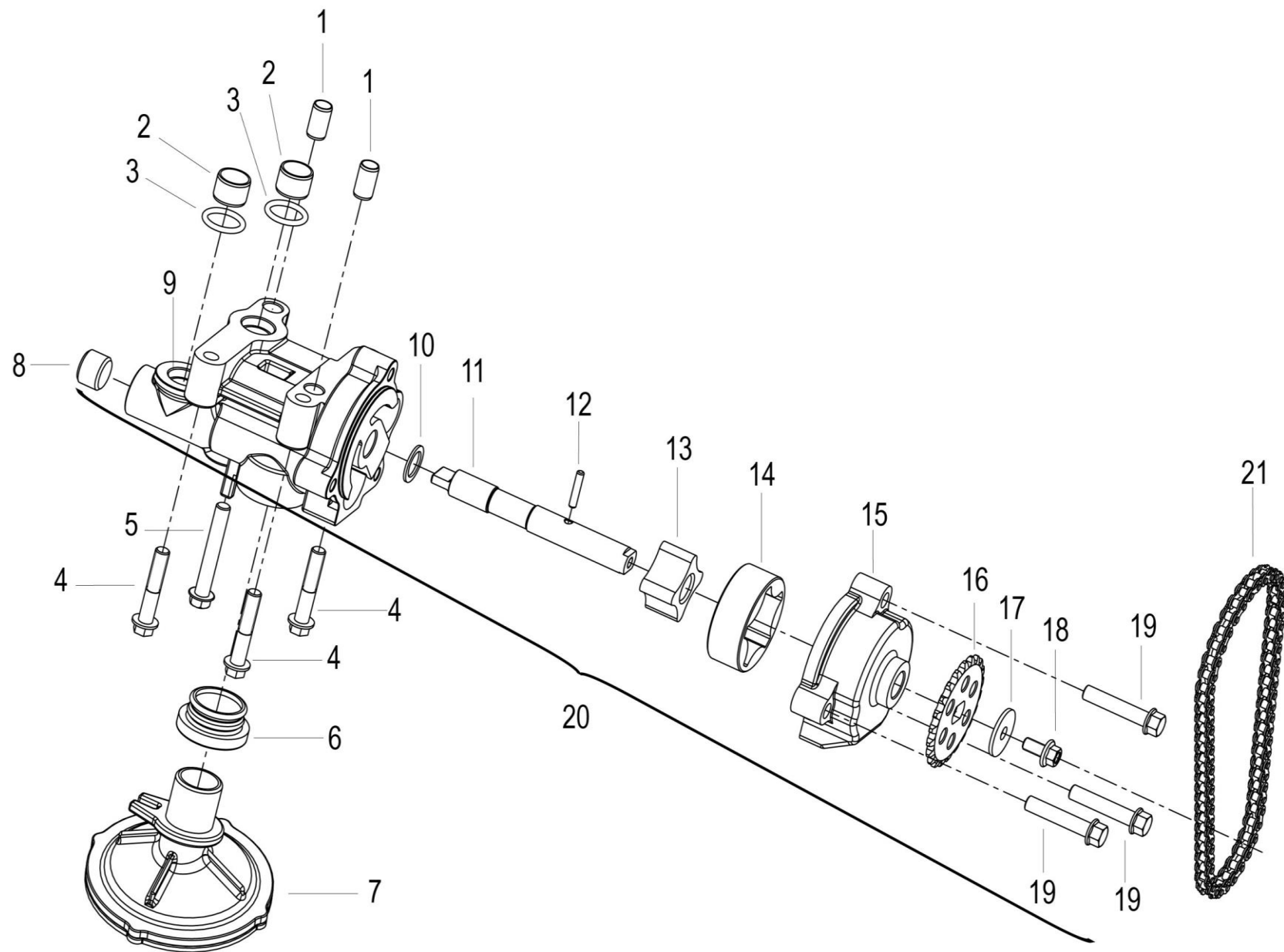
POSITION NO.	CODE	CN DESCRIPTION	EN DESCRIPTION	QTY/ UNIT	REMARKS
E11-01	150316030150	螺栓 M6×40	BOLT M6×40	2	
E11-02	249066280010	起动电机(亚黑)	STARTER MOTOR,MATT BLACK	1	
E11-03	249046280000	电起动惰轮	STARTER IDLE GEAR	1	
E11-04	16020307001X	电起动齿轮轴	SHAFT,STARTER IDLER GEAR,size:φ10×45	1	
E11-05	249016280000	起动大齿轮组件	STARTER CLUTCH DRIVE GEAR	1	
E11-06	249106280000	超越离合器组件	STARTER CLUTCH ASSY	1	
E11-07	299026280020	飞轮组合	FLY WHEEL ASSY	1	
E11-08	B0207080168H	内六角盘头螺钉M8×16	SCREW M8×16	6	
E11-09	299036280030	定子组合	COIL ASSY	1	
E11-10	240013060000	O形密封圈24×3.1	O RING φ24×φ3.1	1	

E12 OIL PAN ASSY (油底壳分总成)



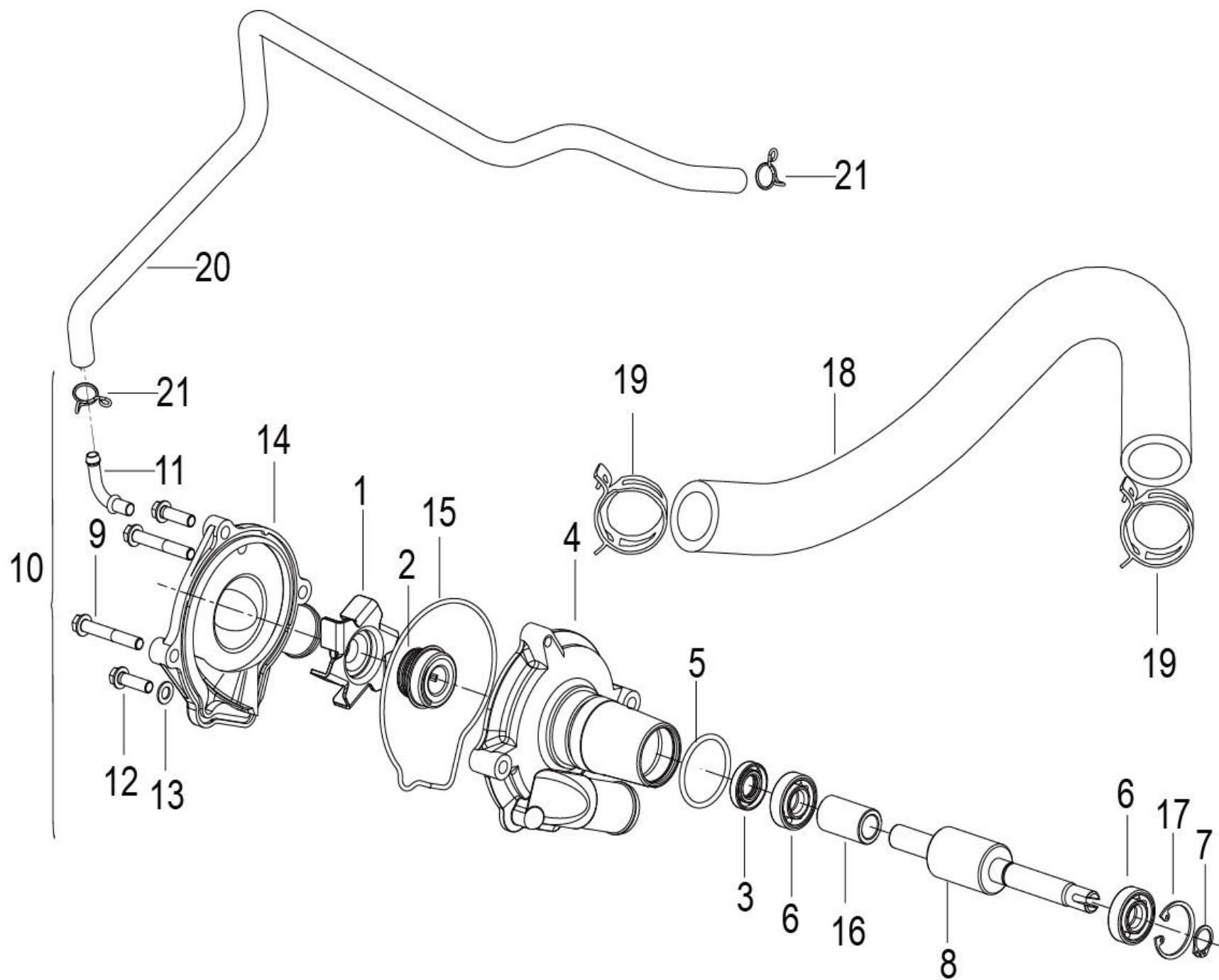
POSITION NO.	CODE	CN DESCRIPTION	EN DESCRIPTION	QTY/UNIT	REMARKS
E12-01	270016220110	螺栓M6X35	BOLT M6X35	10	
E12-02	260346030010	磁性螺栓	MAGNETISM BOLT	1	
E12-03	160073070000	定位销6.7 X 8 X 14	DOWEL PIN 6.7 X 8 X 14	2	
E12-04	260036220000	油底壳垫片	GASKET,OIL PAN	1	
E12-05	26001622NB01	油底壳盖(炭黑)	OIL PAN,CARBON BLACK	1	
E12-06	260036280000	支架组件2	BRACKET II	1	
E12-07	260016280000	支架组件1	BRACKET I	1	
E12-08	219494320000	垫片	WASHER	4	
E12-09	270016220110	螺栓M6X35	BOLT M6X35	2	

E13 LUBRICATE SYSTEM (润滑系统分总成)



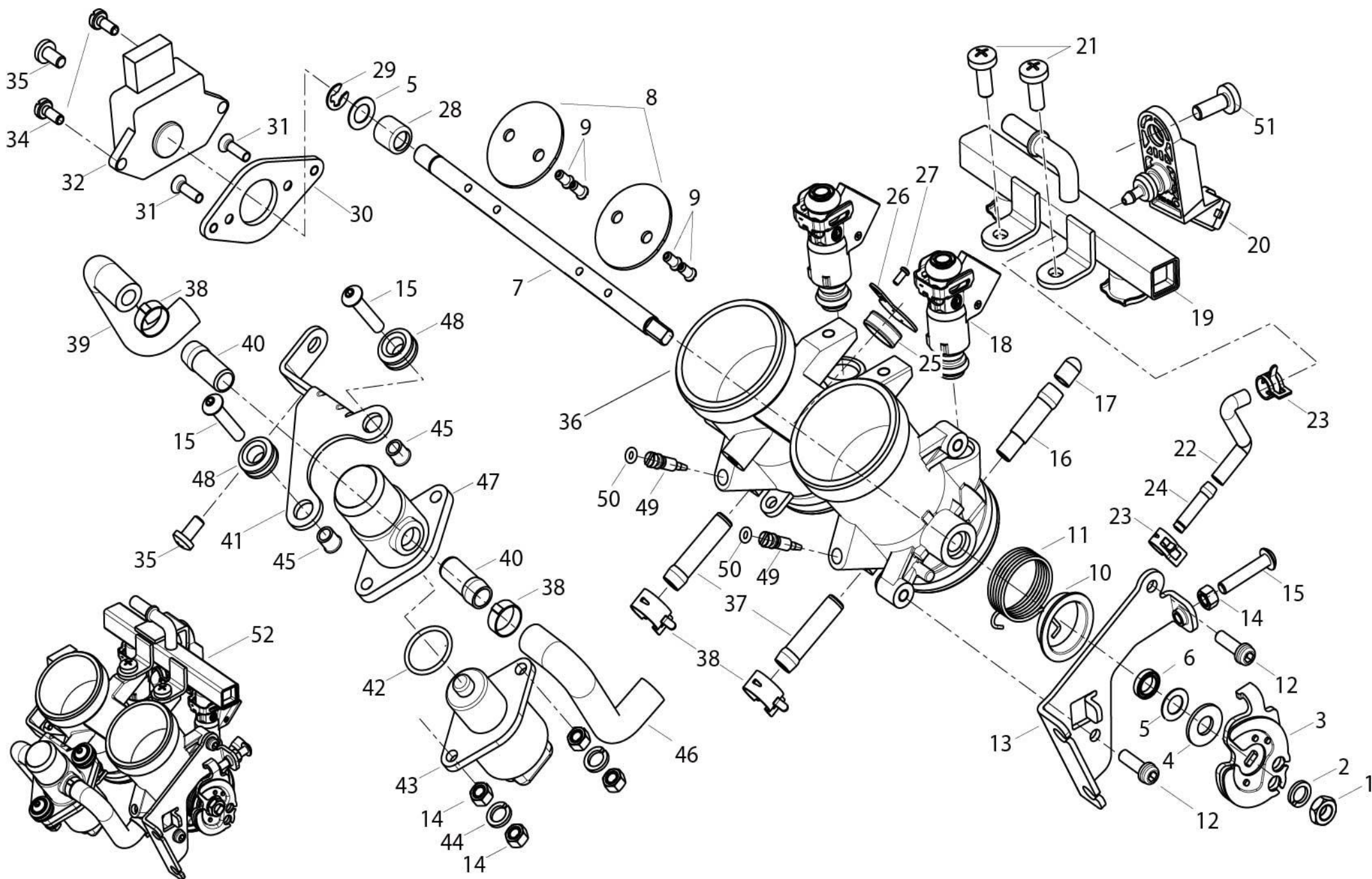
POSITION NO.	CODE	CN DESCRIPTION	EN DESCRIPTION	QTY/UNIT	REMARKS
E13-01	160073070000	定位销	DOWEL PIN	2	
E13-02	269136280000	定位销	DOWEL PIN	2	
E13-03	160085040000	o型密封圈	O-RING	2	
E13-04	B0107060326H	螺栓M6*32	BOLT M6x32	3	
E13-05	B0107060406H	螺栓M6x40	BOLT M6x40	1	
E13-06	260036030000	机油集滤器套	OIL COLLECTER SHELL	1	
E13-07	269086220000	机油集滤器组件	OIL COLLECTER	1	
E13-08	100066090000	锥形塞M14x1.5x10	CONE PLUG M14x1.5x10	1	
E13-09	269026280000	机油泵体	OIL PUMP BODY	1	
E13-10	260086030000	垫圈11x15x1	WASHER	1	
E13-11	269036280000	机油泵轴	OIL PUMP SHAFT	1	
E13-12	B090103016B0	销	PIN	1	
E13-13	269046220000	内转子	INNER ROTOR	1	
E13-14	269056220000	外转子	OUTER ROTOR	1	
E13-15	269016220000	机油泵盖	OIL PUMP COVER	1	
E13-16	269066220000	机油泵链轮	OIL PUMP DIRVING GEAR	1	
E13-17	260106030000	垫圈5x20x1.5	WASHER 5x20x1.5	1	
E13-18	B01070501063	六角法兰面螺栓	BOLT M5x10	1	
E13-19	B0107060306H	螺栓M6x30	BOLT M6x30	3	
E13-20	269016280000	机油泵组件	OIL PUMP ASSY	1	
E13-21	269056030000	机油泵链条	OIL PUMP CHAIN	1	

E14 COOLING SYSTEM (冷却系统分总成)



POSITION NO.	CODE	CN DESCRIPTION	EN DESCRIPTION	QTY/UNIT	REMARKS
E14-01	279216030000	叶轮	IMPELLER	1	
E14-02	270216030000	EKK水封组件	EKK SEAL COMPONENTS	1	
E14-03	270153160000	油封	OIL SEAL	1	
E14-04	279316030030	水泵体(炭黑)	WATER PUMP BODY,CARBON BLACK	1	
E14-05	B190100335B0	O型圈33.5x2.65	O-RING 33.5x2.65	1	
E14-06	B12016000100	轴承	BEARING	2	
E14-07	B08010001201	挡圈	CIRCLIP	1	
E14-08	27922603001X	水泵轴	IMPELLER SHAFT	1	
E14-09	150316030150	螺栓M6x40	SCREW M6x40	2	
E14-10	27920603NB01	水泵分总成(炭黑)	WATER PUMP,CARBON BLACK	1	
E14-11	270076030000	管子	PIPE	1	
E14-12	270156030010	螺栓M6X20	BOLT M6X20	2	
E14-13	270345050000	垫圈	WASHER	1	
E14-14	279336030030	水泵盖(炭黑)	WATER PUMP COVER,CARBON BLACK	1	
E14-15	270066030000	密封圈	SMALL SEAL RING	1	
E14-16	270166030000	水泵衬套	BUSH	1	
E14-17	B080100028A1	挡圈28	CIRCLIP 28	1	
E14-18	279106280000	出水管	INTAKE PIPE	1	
E14-19	06103P160000	水管板式卡箍φ32	CLAMP 32	2	
E14-20	279116280000	排气管	EXHAUST PIPE	1	
E14-21	B17010100003	钢丝卡箍Φ10	CLIP Φ10	2	

E15 THROTTLE BODY SYSTEM (节流阀体分总成)



POSITION NO.	CODE	CN DESCRIPTION	EN DESCRIPTION	QTY/UNIT	REMARKS
E15-01	280476090001	节气门轴锁紧螺母 M7	NUT M7,THROTTLE SHAFT	1	
E15-02	B07000000801	弹簧垫圈	SPRING WASHER	1	
E15-03	280676030000	操作转轮组件	MANIPULATION OF THE WHEEL COMPONENT	1	
E15-04	280346090000	鞍形弹性垫圈	WASHER	1	
E15-05	280336090000	节气门轴垫片II	WASHER	2	
E15-06	280386030000	油封8×12×2.5	OIL SEAL 8X12X2.5	1	
E15-07	280016220020	节气门轴	THROTTLE SHAFT	1	
E15-08	280076030000	节气门片D37	THROTTLE SLICE	2	
E15-09	280116080000	节气门片固定螺钉	SCREW	4	
E15-10	280196030000	节气门轴扭簧导套	BUSH	1	
E15-11	280306030000	左气门轴扭簧	TORSIONAL SPRING,LEFT THROTTLE SHAFT	1	
E15-12	B02000501029	螺钉M5X10	SCREW(M5X10)	2	
E15-13	280066220010	拉线支架	BRACKET	1	
E15-14	B04000500059	螺母	NUT	5	
E15-15	B02000502529	螺钉M5X25	SCREW M5X25	3	
E15-16	280506030010	脱附铜管	PIPE	1	
E15-17	3314302	进油口帽	OIL INLET CAP	1	
E15-18	289026280000	喷油器	FUEL INJECTOR	2	
E15-19	289086280020	油轨	FUEL	1	
E15-20	289066280000	进气压力传感器	SENSOR,INLET PRESSURE	1	
E15-21	B02040501629	十字槽小盘头螺钉	SCREW	2	
E15-22	289076280000	成型胶管	RUBBER HOSE	1	
E15-23	49016T030000	卡箍Φ8	CLAMP Φ8	2	
E15-24	3313701K0000	进油铜管	BRASS TUBE	1	
E15-25	280686030000	密封圈	SEALING RING	1	
E15-26	280576030000	密封盖板	SEALING COVER PLATE	1	
E15-27	B02000300829	螺钉 M3X8	SCREW M3X8	1	
E15-28	280116090000	滚针轴承	NEEDLE ROLLER BEARING	1	
E15-29	280249010000	节气门轴弹性挡圈II	SHAFT CIRCLIP,THROTTLE SHAFT	1	

POSITION NO.	CODE	CN DESCRIPTION	EN DESCRIPTION	QTY/UNIT	REMARKS
E15-30	280116130000	TPS安装支架	TPS PLATE	1	
E15-31	B02010401225	沉头螺钉M4*12	SCREW M4X12	2	
E15-32	280756030010	节气门位置传感器	SENSOR,THE LOCTION OF THROTTLE	1	
E15-34	B1308040102H	螺钉M4X10	SCREW M4X10	2	
E15-35	B02000501429	螺钉M5x14	SCREW M5X14	2	
E15-36	289066220000	节流阀体D37	THROTTLE BODY	1	
E15-37	280716030000	负压铜管	NEGATIVE PRESSURE COPPER PIPE	2	
E15-38	06103N140000	卡箍φ13	CLAMP Φ13	4	
E15-39	280946030000	胶管II	HOSE II	1	
E15-40	280956030000	进气铜管	INTAKE OF BRASS	2	
E15-41	280396030000	安装支架 I	PLATE I	1	
E15-42	140106090000	O形圈	O-RING	1	
E15-43	280476030020	步进电机	REPEATING MOTOR	1	
E15-44	B07000000509	弹簧垫圈	ELASTIC WASHER	2	
E15-45	280976030000	衬套	BUSH	2	
E15-46	280936030000	胶管I	RUBBER HOSE I	1	
E15-47	280966030000	定时系统	TIMING SYSTEM	1	
E15-48	57039S010000	橡胶垫	RUBBER CUSHION	2	
E15-49	280406090000	混合比调节螺钉	ADJUSTING SCREW	2	
E15-50	280416090000	混合比调节螺钉密封圈	SEALING RING,ADJUSTING SCREW	2	
E15-51	270156030010	螺栓M6X20	BOLT M6X20	1	
E15-52	289006280010	节流阀体分总成	THROTTLE ASSY	1	