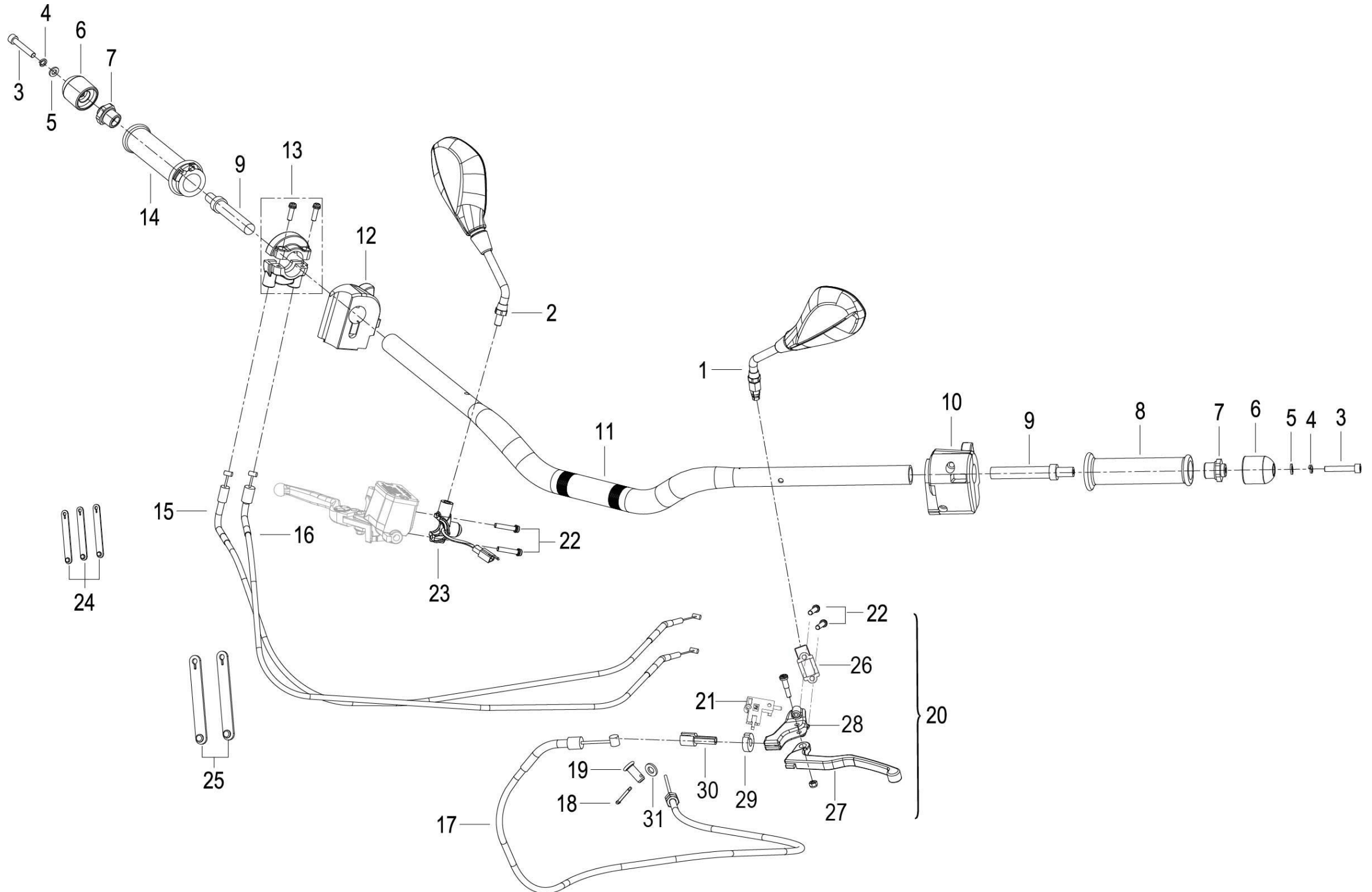
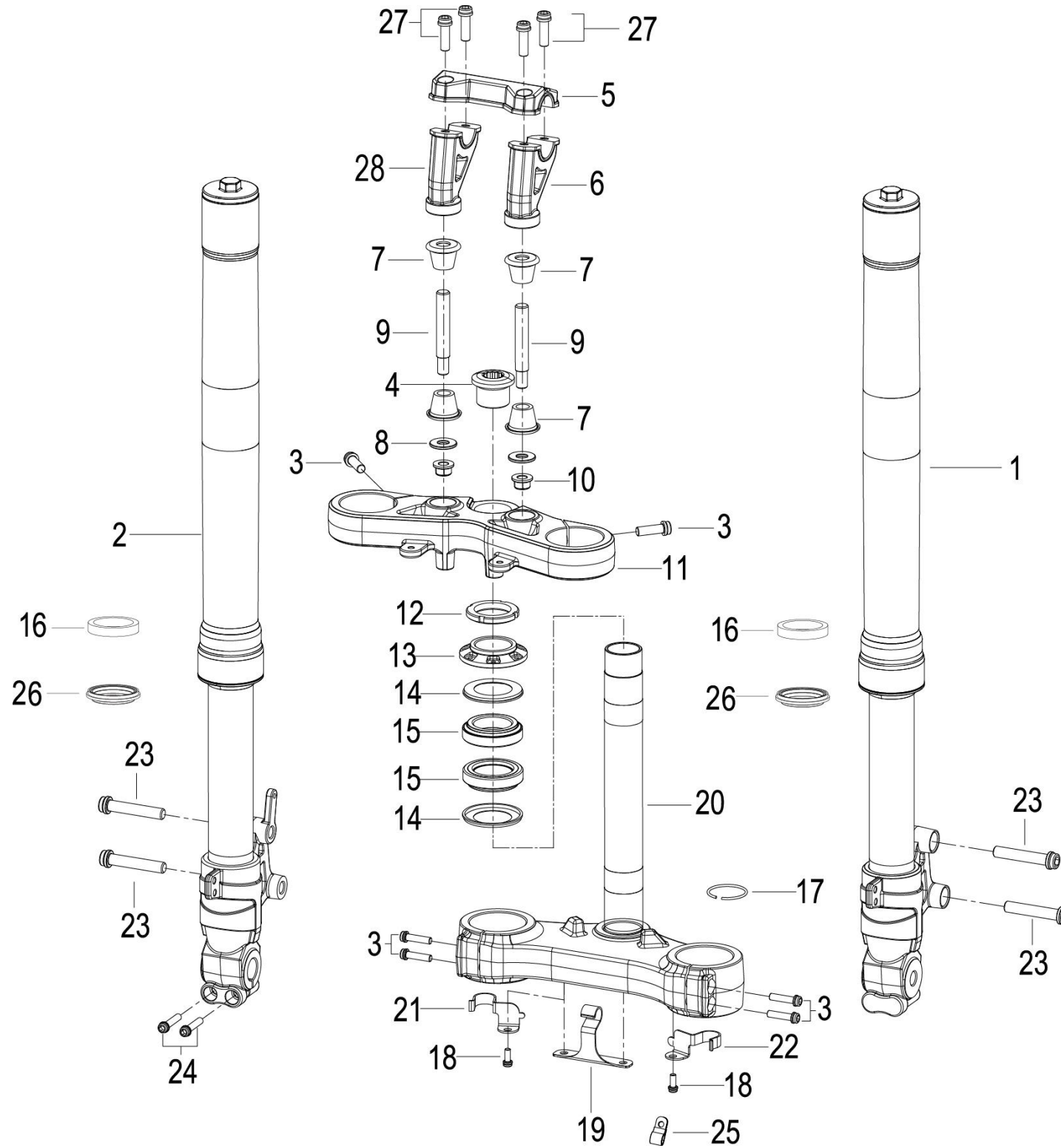


F01 操纵 CONTROL ASSY.



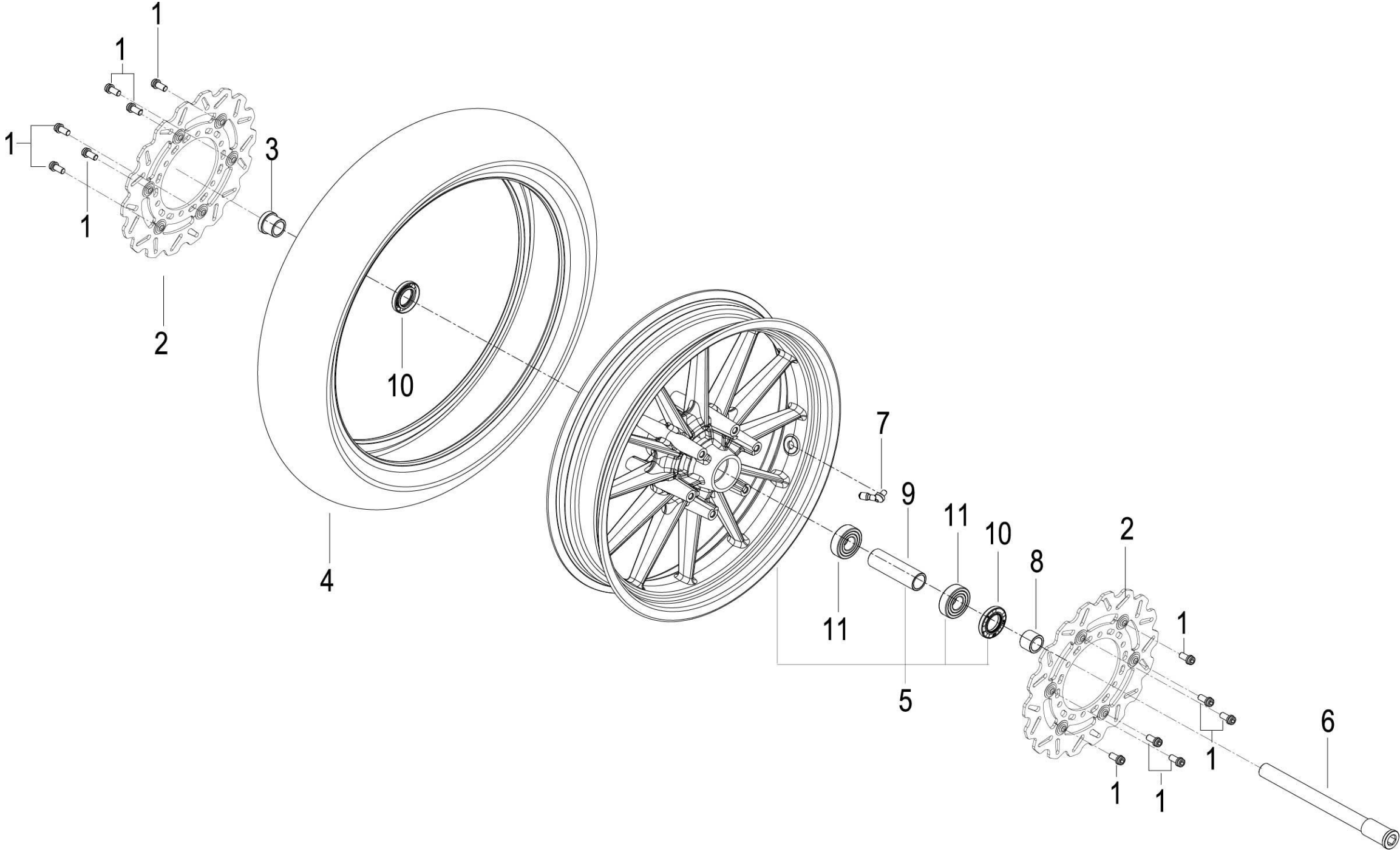
NO.	CODE	CN DESCRIPTION	EN DESCRIPTION	QTY	REMARKS
F01-01	40460P250100	左后视镜组件	LR VIEW MIRROR ASSY	1	
F01-02	40470P250100	右后视镜组件	RR VIEW MIRROR ASSY	1	
F01-03	B0281060356H	螺钉M6×35	SCREW M6×35	2	
F01-04	B0700000060H	弹簧垫圈6	SPRING WASHER 6	2	
F01-05	B0703000060H	垫圈6	WASHER Φ6	2	
F01-06	40031P250000	平衡块	GRIP END	2	
F01-07	40032P250000	平衡块安装座	GRIP END MOUNTING SEAT	2	
F01-08	40001P250001	左方向把套	LEFT HANDLEBAR GRIP	1	
F01-09	40031S010000	平衡块	GRIP END	2	
F01-10	40500P160005	左组合开关(大灯常亮)	LEFT HANDLEBAR SWITCH,AHO	1	
F01-11	40101P100000	方向把	HANDLEBAR	1	
F01-12	40600P160003	右组合开关	RIGHT HANDLEBAR SWITCH	1	
F01-13	40320P250000	油门线安装座	THROTTLE CABLE HOUSING ASSY	1	
F01-14	40210P250002	右握把组件	RIGHT HANDLEBAR GRIP	1	
F01-15	40300P100200	油门线组件I	CABLE ASSY.,THROTTLE	1	
F01-16	40330P250101	油门线组件II	CABLE ASSY.,THROTTLE II	1	
F01-17	40400P100001	离合器线组件	CLUTCH CABLE ASSY	1	
F01-18	B090002018A5	开口销2×18	COTTER PIN 2×18	1	
F01-19	B090406014A5	销轴6×14	PIN 6×14	1	
F01-20	40080P250000	离合器手柄组件	CLUTCH LEVER	1	
F01-21	91090P250000	离合开关组件(L型)	CLUTCH SWITCH	1	
F01-22	B02810602562	螺钉M6×25-8.8-ZG	SCREW M6×25-8.8-ZG	4	
F01-23	70190P290000	仪表调整开关	METER ADJUSTING SWITCH	1	
F01-24	49371T620000	截止阀软线夹	RUBBER CLIP	3	
F01-25	96003P250000	软线夹	RUBBER CLIP	5	
F01-26	45023P250000	固定盖	FRONT BRAKE MASTER CYLINDER HOLDER	1	
F01-27	40084P250001	离合器手柄	CLUTCH LEVER	1	
F01-28	40081P250001	离合器手柄座	LEVER HOLDER	1	
F01-29	40087K010000	开槽螺母	SLOTTED NUT	1	
F01-30	40086K010000	调节螺管	SPIRAL TUBE,ADJUSTING	1	
F01-31	08021J000000	油箱开关安装垫圈	WASHER	1	

F02 前叉 FRONT FORK ASSY.



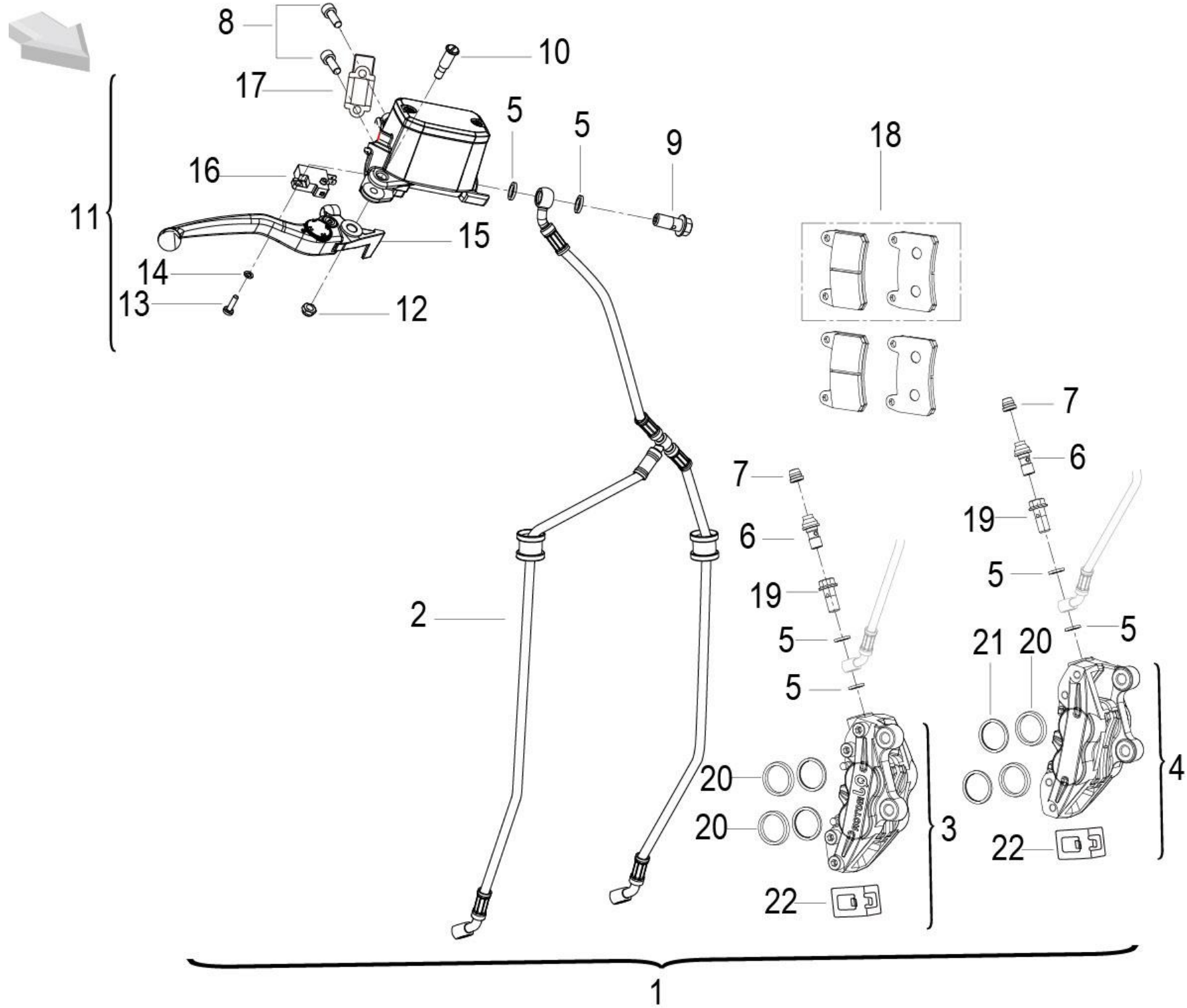
NO.	CODE	CN DESCRIPTION	EN DESCRIPTION	QTY	REMARKS
F02-01	43200P100001	前左减震器组件	FRONT LEFT SHOCK ABSORBER ASSY	1	for vin before ZBNP10015PBE55880
F02-02	43300P100020	前右减震器组件	FRONT RIGHT SHOCK ABSORBER ASSY	1	for vin before ZBNP10015PBE55880
F02-03	B0281080256H	螺栓M8×25	BOLT M8×25	6	
F02-04	43049P250000	上联板紧固螺钉	SCREW	1	
F02-05	43014P260000	上压块	UPPER HANDLEBAR HOLDER	1	
F02-06	43013P260013	左方向把下座	LEFT HANDLEBAR HOLDER	1	
F02-07	47015P010010	消音塞	SILENCING PLUG	4	
F02-08	40089P010100	把手定位垫片	HANDLEBAR DOWEL GASKET	2	
F02-09	40086P260001	把手定位双头螺柱	HANDLE POSITIONING STUD,M10	2	
F02-10	B04821012552	自锁螺母M10×1.25	NUT M10×1.25	2	
F02-11	43011P100000	上联板	UPPER BRACKET	1	
F02-12	43008S010010	上联板紧固螺母	NUT	1	
F02-13	43009P260000	压紧螺母	NUT	1	
F02-14	43005S010000	防尘圈	RING ANTI-DUST	2	
F02-15	43130S010000	转向轴承	BEARING	2	
F02-16	43260N220010	前减震器油封(NOK)	OIL SEAL,MARK:NOK	2	
F02-17	43103S010000	防松环	RING	1	
F02-18	B0283060146H	螺钉M6×14	SCREW M6×14	2	
F02-19	43057P100000	液刹管线夹	BRAKE HOSE HOLDER	1	
F02-20	43100P100000	下联板组件	CROWN ASSY	1	
F02-21	43035P100000	左液刹管线夹	LEFT BRAKE HOSE HOLDER	1	
F02-22	43036P100000	右液刹管线夹	RIGHT BRAKE HOSE HOLDER	1	
F02-23	B02551004062	内六角螺钉M10×1.25×40	SCREW M10×1.25×40	4	
F02-24	B02810603062	螺栓M6×30	SCREW M6×30	2	
F02-25	43070J670010	离合器线夹组件	CLIP,CLUTCH CABLE	1	
F02-26	43524N220000	前减震器防尘圈	DUST SEAL	2	
F02-27	B0205080256K	内六角圆柱头螺钉M8×25	SCREW M8×25	4	
F02-28	43013P260023	右方向把下座	RIGHT HANDLEBAR HOLDER	1	

F03 前轮 FRONT WHEEL ASSY.



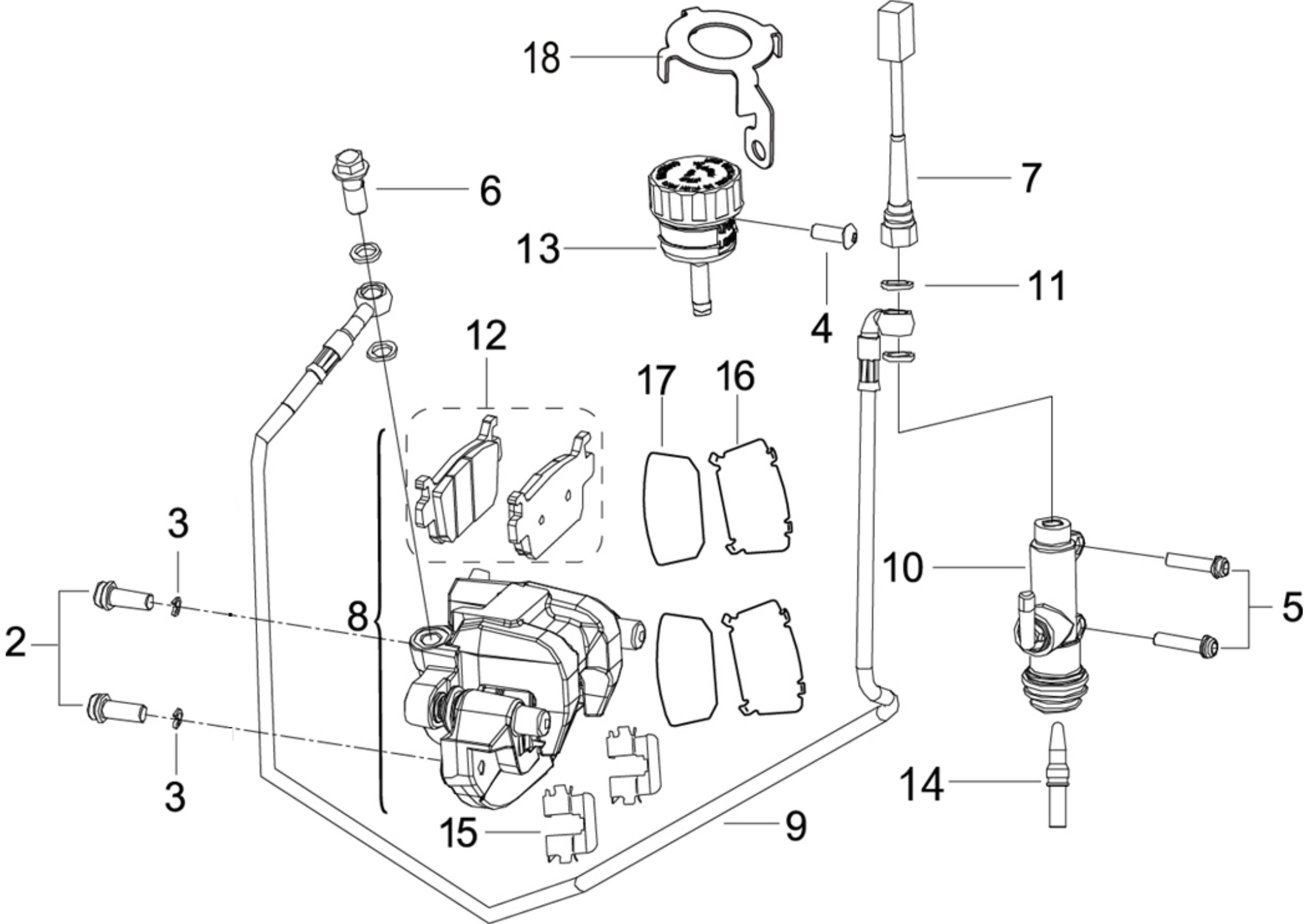
NO.	CODE	CN DESCRIPTION	EN DESCRIPTION	QTY	REMARKS
F03-01	B02810802062	螺栓M8×1.25×20	BOLT M8×1.25×20	12	
F03-02	45030P100105	前制动盘组件	FRONT BRAKE DISK	2	
F03-03	44005P100100	前轮左衬套	FRONT WHEEL LEFT COLLAR Φ20×Φ27×25	1	
F03-04	B140507D1700	真空胎120/70 ZR17/Pirelli	TIRE 120/70 ZR17/Pirelli	1	
F03-05	44100P10100Z	前轮圈组件(黑色)	FRONT RIM ASSY,BLACK	1	
F03-05	44100P10U60Z	前轮圈组件(晶彩绿U6)	FRONT RIM ASSY, GREEN	1	
F03-06	44004P100100	前轮轴	FRONT WHEEL AXLE M16×1.5×272	1	
F03-06	44004P060001	前轮轴M20×1.5×205	FRONT WHEEL AXLE M20×1.5×205	1	
F03-07	B1403Z201100	气门嘴	AIR VALVE/RIM VALVE	1	
F03-08	44016P100100	前轮右衬套	FRONT WHEEL RIGHT COLLAR	1	
F03-09	44006P100100	前轮中间轴套	FRONT WHEEL MIDDLE SHAFT SLEEVE	1	
F03-10	60200J000001	防尘圈组件	DUST SEAL ASSY	2	
F03-11	B12016020400	滚动轴承6204-2RS	BALL BEARING 6204-2RS	2	

F04 前液刹 FRONT DISK BRAKE ASSY.



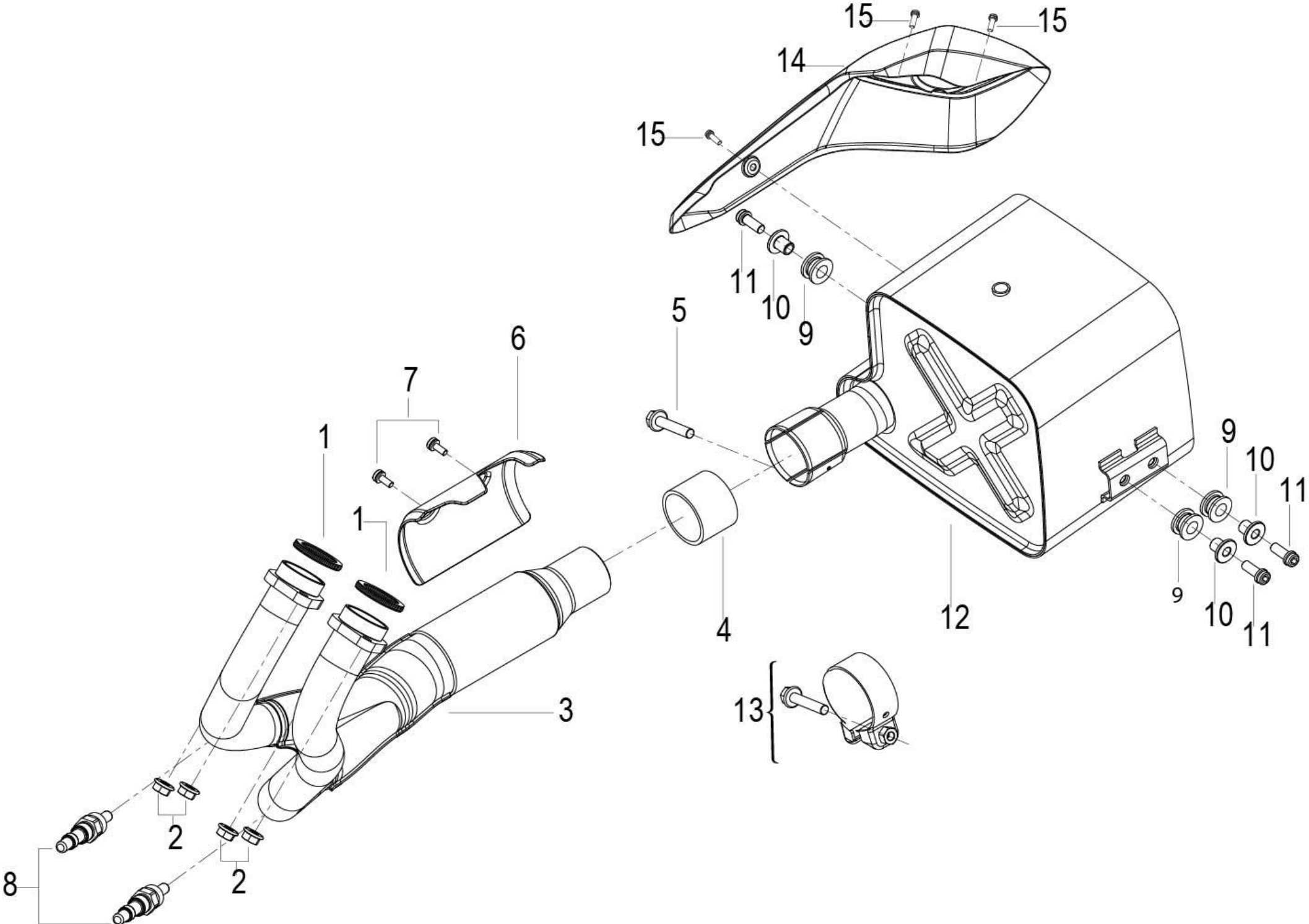
NO.	CODE	CN DESCRIPTION	EN DESCRIPTION	QTY	REMARKS
F04-01	45900P100014	前液刹组件	FRONT BRAKE ASSY.silver white,mark:Benelli	1	
F04-02	45200P100100	前制动软管总成	FRONT BRAKE HOSE	1	
F04-03	45600P100101	前右制动缸组件	FRONT RIGHT BRAKE CALIPER,silver white,mark:Benelli	1	
F04-04	45500J800102	前左制动缸组件	FRONT LEFT BRAKE CALIPER,silver white,mark:Benelli	1	
F04-05	45078P300000	垫圈	WASHER	6	
F04-06	45019N3CT000	放气嘴	DEFLATED MOUTH	2	
F04-07	45021B510000	放气嘴防尘罩	DEFLATED MOUTH DUST COVER	2	
F04-08	B02810602062	螺栓M6×20	BOLT M6×20	2	
F04-09	45037J000000	六角法兰螺栓	BOLT	1	
F04-10	45024P300000	手柄螺丝	BRAKE LEVER PIVOT SCREW	1	
F04-11	45400P250012	前油泵体组件	FRONT MASTER CYLINDER	1	
F04-12	B0417060004H	自锁螺母M6	NUT M6	1	
F04-13	B0204040122H	半圆头螺钉M4×12	SCREW M4×12	1	
F04-14	B07060000400	垫圈4	WASHER 4	1	
F04-15	45020P300000	前液刹手柄组件	RIGHT HANDLE GRIP	1	
F04-16	45300J000010	制动开关组件	BRAKE SWITCH ASSY	1	
F04-17	45023P250000	固定盖	FRONT BRAKE MASTER CYLINDER HOLDER	1	
F04-18	45120J800000	摩擦片组件	FRONT BRAKE PADS	2set	
F04-19	45037P300000	油管安装螺栓	BRAKE HOSE BANJO BOLT	2	
F04-20	45008J800000	方形密封圈甲	SEAL	4	
F04-21	45042P300000	方形密封圈乙	SEAL	4	
F04-22	45018J800000	弹簧片	FRONT BRAKE PADS HOLDER	2	

F04_1 后液刹 REAR DISK BRAKE ASSY.



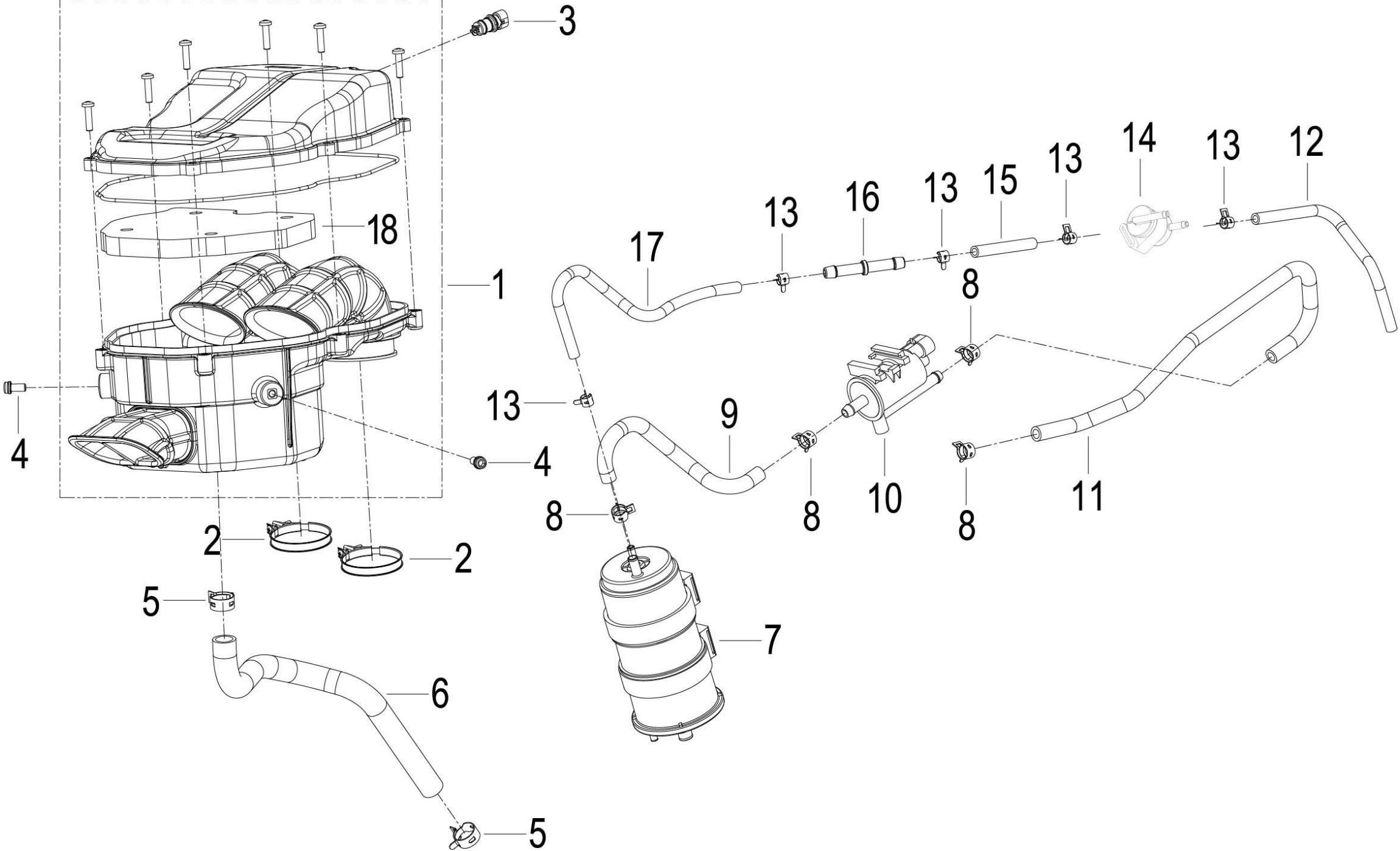
NO.	CODE	CN DESCRIPTION	EN DESCRIPTION	QTY	REMARKS
F04_1-02	B0281080256H	螺栓M8×1.25×25	BOLT M8×1.25×25	2	
F04_1-03	B0700000080H	弹簧垫圈φ8	SPRING WASHER 8	2	
F04_1-04	B01090602065	螺钉M6×20	SCREW M6×20	1	
F04_1-05	B02810603062	螺栓M6×30	BOLT M6×30	2	
F04_1-06	45037J000000	六角法兰螺栓	BOLT	1	
F04_1-07	55300P100000	后液刹开关	REAR BRAKE SWITCH	1	
F04_1-08	55500P160000	后制动缸组件(银白)	REAR BRAKE CALIPER,SILVER WHITE	1	
F04_1-09	55200P100100	后制动软管组件	REAR BRAKE HOSE	1	
F04_1-10	55400P100010	后油泵	REAR MASTER CYLINDER	1	
F04_1-11	45078P300000	垫圈	WASHER	4	
F04_1-12	55110P100001	后摩擦片组件(霍克)	BRAKE PAD ASSY,REAR (2PCS/SET)	1set	
F04_1-13	55140P100000	油杯组件	REAR BRAKE CUP	1	
F04_1-14	55061P100000	脚泵柱塞螺杆	BOLT	1	
F04_1-15	55018P100000	弹簧片	PADS HOLDER	2	
F04_1-16	55099P100000	填隙片	PADS WASHER	2	
F04_1-17	55098P100000	后刹隔热片	HEAT RESISTING PLATE	2	
F04_1-18	57041V030001	油杯防拆盖	TAMPER BRACKET	1	

F05_1 消声器 MUFFLER ASSY.



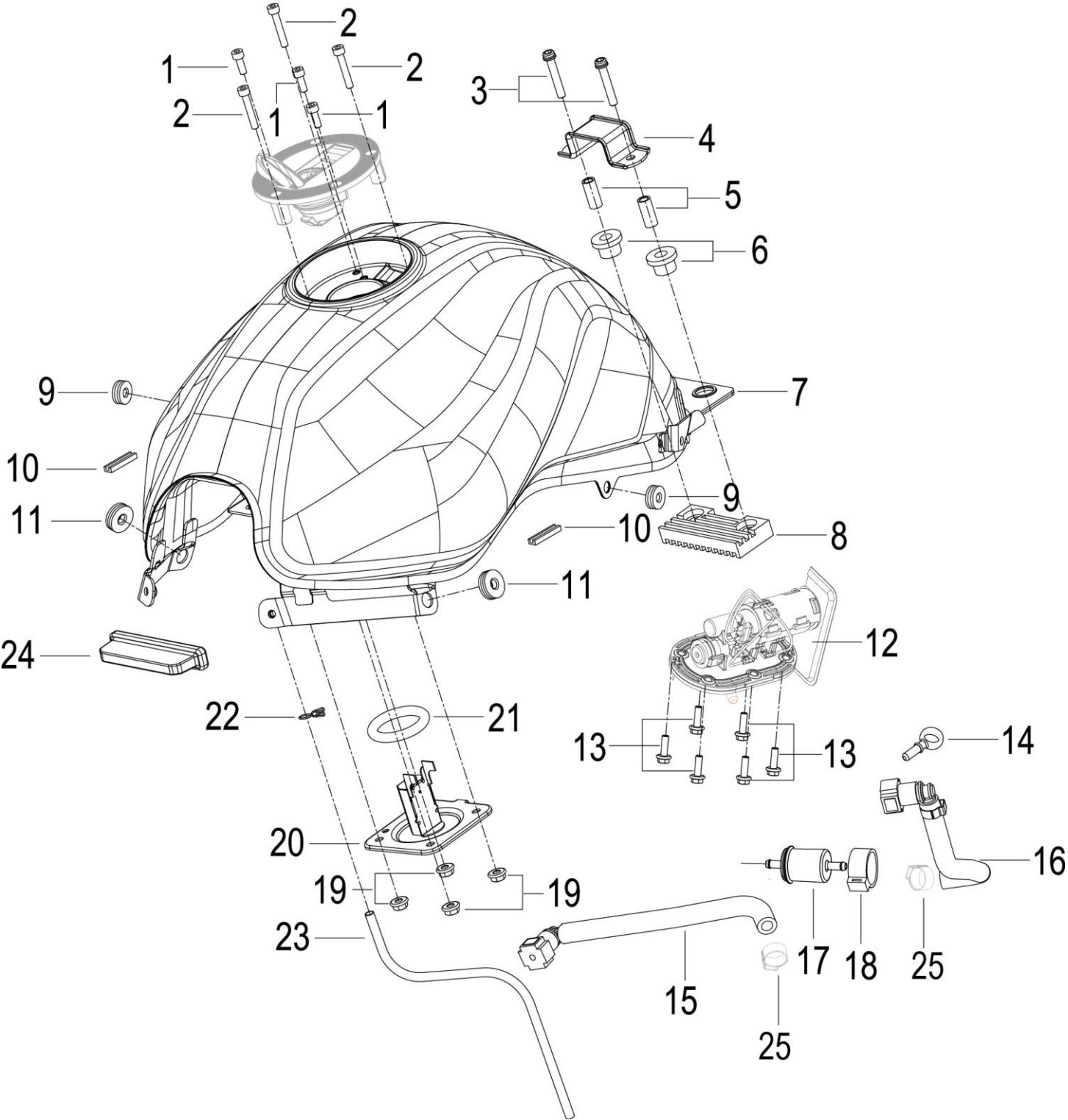
NO.	CODE	CN DESCRIPTION	EN DESCRIPTION	QTY	REMARKS
F05_1-01	47800P250000	排气管密封垫组件	EXHAUST PIPE GASKET	2	
F05_1-02	B0407080005H	螺母M8	NUT M8	4	
F05_1-03	47500P100A00	排气管组件	MUFFER	1	mark:e13 BENELLI P10-S2-1
F05_1-04	47035P250000	石墨衬圈	GRAPHITE LINING	1	
F05_1-05	52019J800000	后货架螺钉II	AFTER THE SHELF SCREW II	1	
F05_1-06	47023S040100	触媒热防护板	CATALYTIC THERMAL PROTECTION BOARD	1	
F05_1-07	B1304060120A	组合螺钉M6×12	SCREW M6×12	2	
F05_1-08	280586030000	氧传感器	OXYGEN SENSOR	2	
F05_1-09	65617H010010	橡胶套II	THE RUBBER SLEEVE II	3	
F05_1-10	65613P260000	护板衬套	GUARD BUSHING	3	
F05_1-11	B0281080256H	螺栓M8×1.25×25	BOLT M8×1.25×25	3	
F05_1-12	47200P100E03	筒体组件	MUFFLER JOINTING COMP	1	mark:e13 BENELLI EX-P10-1
F05_1-13	48830P290000	卡箍组件	CLAMP	1	
F05_1-14	47761P100003	装饰罩	MUFFLER DECORATIVE COVER	1	
F05_1-15	B0218050106A	内六角平圆头螺钉M5×10	SCREW M5×10	3	

F06 空滤器 AIR CLEANER ASSY.



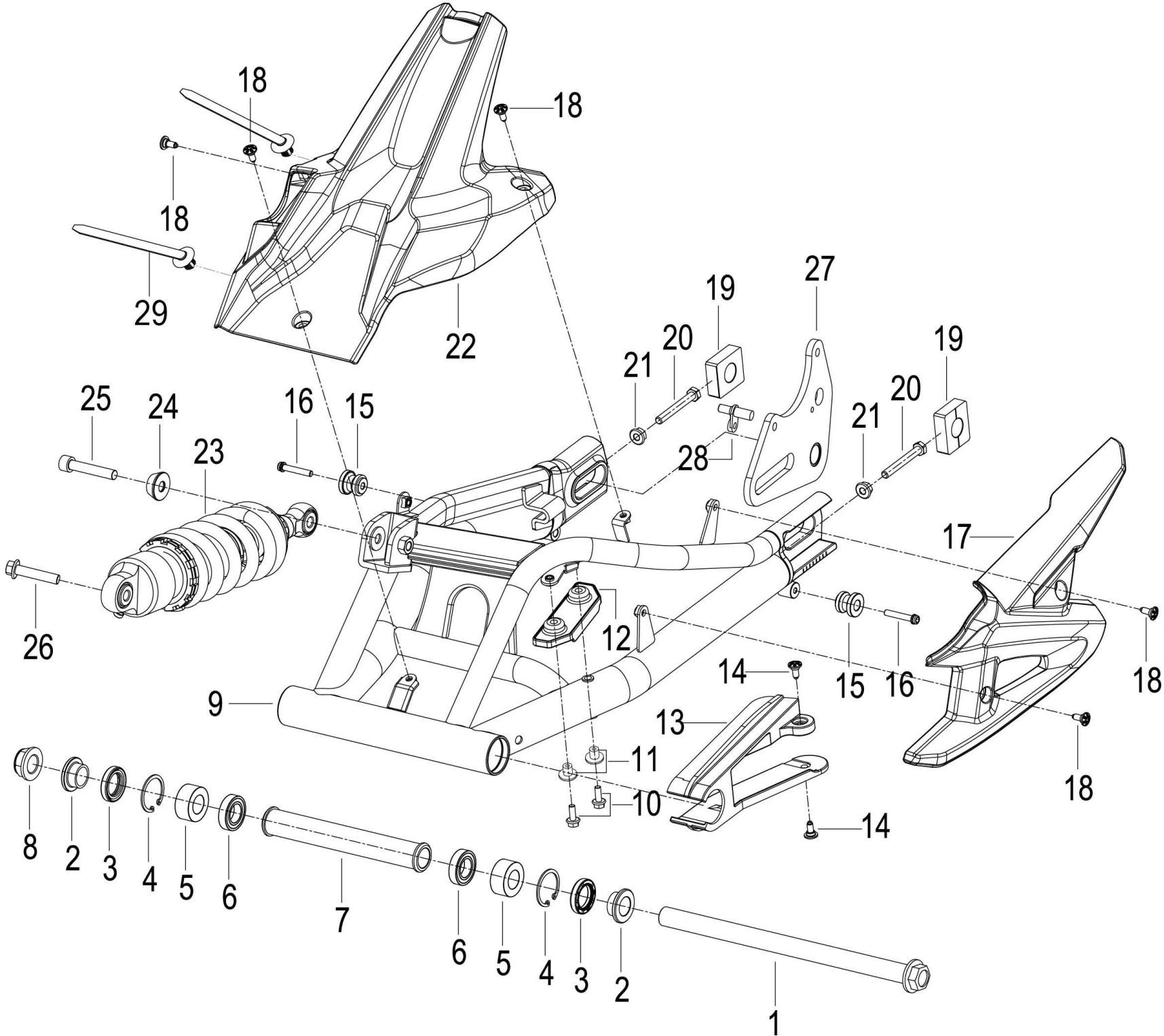
NO.	CODE	CN DESCRIPTION	EN DESCRIPTION	QTY	REMARKS
F06-01	49100P100002	空滤器组件	AIR CLEANER	1	
F06-02	49016N070001	不锈钢卡箍40-60	CLIP 40-60	2	
F06-03	310015040000	进气温度传感器	TEMPERATURE SENSOR	1	
F06-04	B02810601262	螺钉M6×12	SCREW M6×12	4	
F06-05	49805J000200	耐热管卡箍Φ18.5×10×1	PLATE CLAMP Φ18.5×10×1	2	
F06-06	49025P100000	废气回收管	WASTE GAS RECOVERY TUBE	1	
F06-07	49912K670000	碳罐组合	CANISTER	1	
F06-08	50307J140002	板式卡箍φ10	PLATE CARD HOOP φ10	4	
F06-09	49921P250000	碳罐与电磁阀连接管	PIPE	1	
F06-10	49710N070000	碳罐电磁阀	VALVE EGR	1	
F06-11	49924P100000	电磁阀与节流阀体连接管	PIPE	1	
F06-12	49924P250000	油箱与单向阀连接管	FUEL TANK AND CHECK VALVE CONNECTING PIPE	1	
F06-13	49016B350010	板式卡箍	PLATE CLAMP φ8.5×8×0.6	5	
F06-14	49930G410000	倾倒阀组件	ROLL OVER SENSOR	1	
F06-15	49905K980000	单向阀与油箱连接管	PIPE Φ5×2×450	1	
F06-16	50008K670000	两通管	TWO WAY PIPE	1	
F06-17	49922P250001	碳罐与电磁阀连接管φ7×φ11	PIPE φ7×φ11	1	
F06-18	49202P100001	海绵滤芯	SPONGE FILTER	1	
F06-19	57054P100000	碳罐安装板	CHARCOAL CANISTER BOARD	1	
F06-20	B02810601262	螺钉M6×12-8.8-ZG	SCREW M6×12-8.8-ZG	2	

F07 燃油箱 FUEL TANK ASSY.



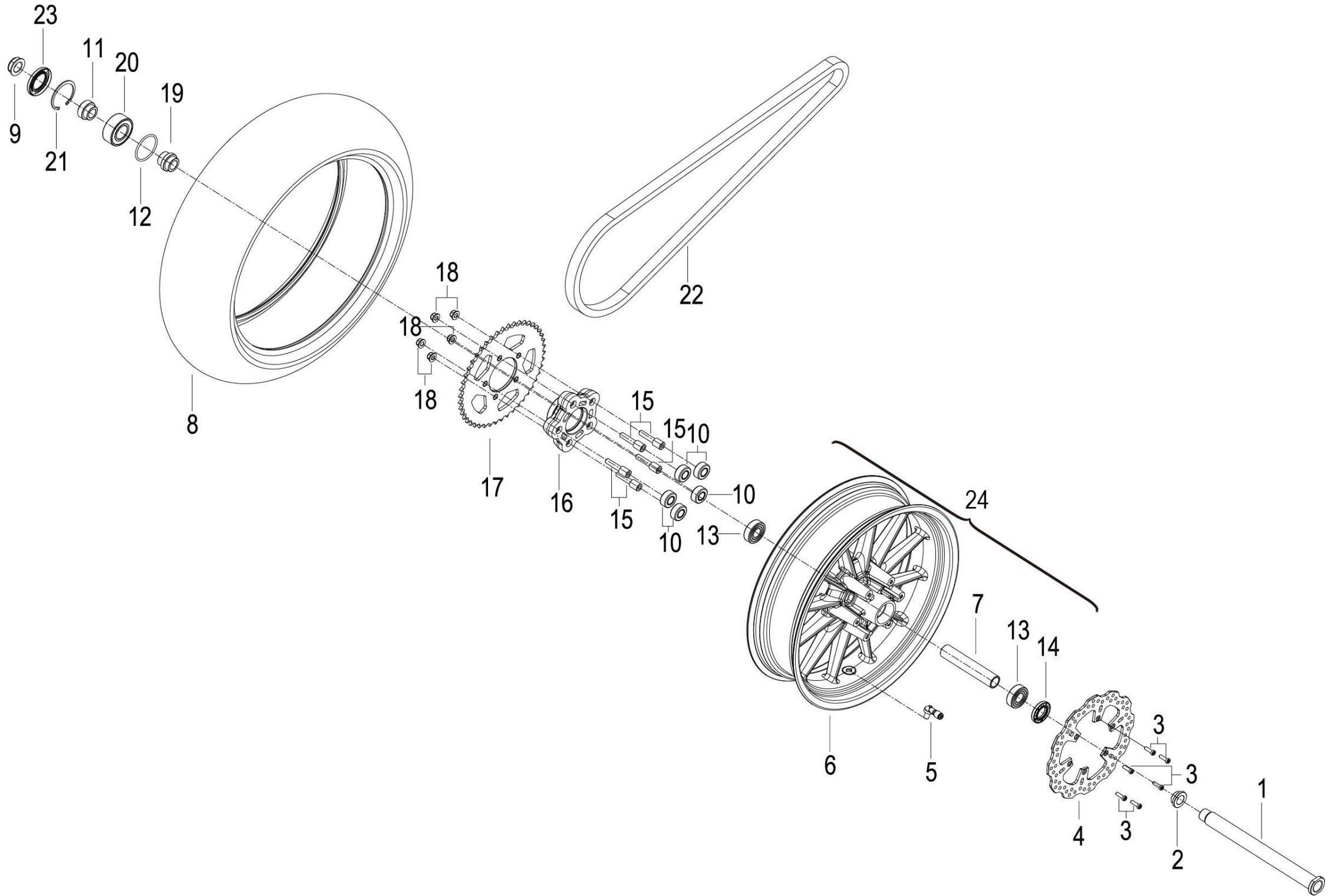
NO.	CODE	CN DESCRIPTION	EN DESCRIPTION	QTY	REMARKS
F07-01	B0280050140A	内六角螺钉M5×14	SCREW M5×14	3	
F07-02	B0280050300A	内六角螺钉M5×30	SCREW M5×30	3	
F07-03	B0281060356H	螺钉M6×35	SCREW M6×35	2	
F07-04	50138K980000	座垫前安装座	FRONT SEAT MOUNTING SEAT	1	
F07-05	50222J000101	油箱安装轴套	FUEL TANK MOUNTING COLLAR	2	
F07-06	50222J000001	橡胶套	RUBBER BOOT	2	
F07-07	50100K98185Z	油箱体组件(X金黄ML)带贴花	FUEL TANK,GOLDEN ML,WITH STICKER	1	
F07-07	50100K98186Z	油箱体组件(珍珠黑B2)带贴花	FUEL TANK,BLACK B2,WITH STICKER	1	
F07-07	50100K98187Z	油箱体组件(晶彩绿U6)带贴花	FUEL TANK,GREEN U6,WITH STICKER	1	
F07-07	50100K98195Z	油箱体组件(TNT1#红TY)带贴花	FUEL TANK,RED TY,WITH STICKER	1	
F07-08	50006K980000	油箱垫板	FUEL TANK MOUNTING RUBBER PLATE	1	
F07-09	65704J000000	护板橡胶垫乙	RUBBER CUSHION,GUARD BOARD	2	
F07-10	65616H030001	后护板衬条	STRIP	4	
F07-11	65618J000000	护板橡胶垫丙	CUSHION	2	
F07-12	50400P100060	燃油泵组件	FUEL PUMP ASSY	1	
F07-13	B0109050166H	螺栓M5×16	BOLT M5×16	6	
F07-14	52008P100000	油泵堵头	FUEL PUMP PLUG	1	
F07-15	50080P100001	油管组件I	PIPE I	1	
F07-16	50090P100000	油管组件II	PIPE II	1	
F07-17	50340N100001	滤清器组件	FUEL STRAINER	1	
F07-18	50391N070010	过滤器护套	FILTER JACKET	1	
F07-19	B0407060005H	螺母M6	NUT M6	4	
F07-20	50800P100000	燃油传感器组件	FUEL SENSOR ASSY	1	
F07-21	50002K020000	传感器橡胶垫	RUBBER CUSHION	1	
F07-22	B17010105003	钢丝卡箍Φ10.5	SPRING CLIP Φ10.5	1	
F07-23	50012K980000	下水管/成型管Φ7×2×880	PIPE Φ7×2×880	1	
F07-24	50005K980000	橡胶套	RUBBER BOOT	1	
F07-25	50307J690000	卡箍14.5-706R	CLIP Φ14.5	2	

F08后摆臂 REAR SWING ARM



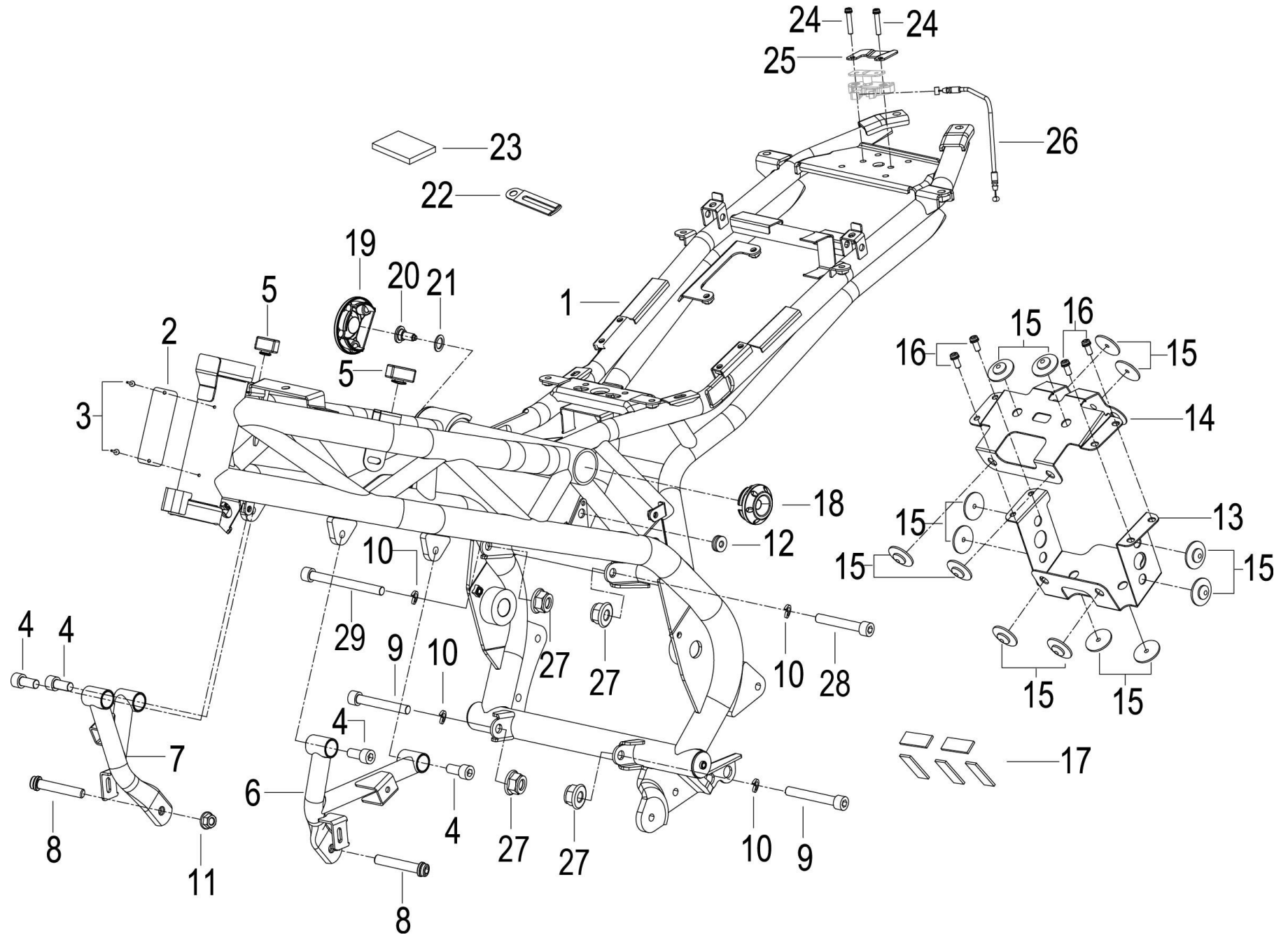
NO.	CODE	CN DESCRIPTION	EN DESCRIPTION	QTY	REMARKS
F08-01	53001P060001	后摆臂安装轴M20×1.5×338	SWING ARM SHAFT M20×1.5×338	1	
F08-02	53006P100100	后摆臂外隔套	SWING ARM DUST COVER	2	
F08-03	53220P100000	唇形密封圈组件25×37×7	SEAL RING ASSY 25×37×7	2	
F08-04	B08000003701	孔用弹性挡圈φ37	CIRCLIP φ37	2	
F08-05	B1210H490400	滚针轴承NA4904	NEEDLE ROLLER BEARING NA4904	2	
F08-06	B12016190400	滚动轴承61904-2RS	ROLLING BEARING 61905-2RS	2	
F08-07	53005P100100	后摆臂中间轴套	SPACER	1	
F08-08	08051P100100	自锁螺母M20×1.5	NUT M20×1.5	1	
F08-09	53100P100001	后摆臂焊接组件	SWING ARM	1	
F08-10	B01090601665	螺栓M6×16	BOLT M6×16	1	
F08-11	58307B450000	固定隔套	SPACER	2	
F08-12	53018P100000	链条上限位块	UPPER CHAIN LIMITED BLOCK	1	
F08-13	53004P100000	链条防护块	CHAIN PROTECT BLOCK	1	
F08-14	B0284060190A	螺钉M6×19.2	SCREW M6×19.2	2	
F08-15	53021P250000	支撑套	BUSH	2	
F08-16	B02810603062	螺栓M6×30	SCREW M6×30	2	
F08-17	60101P100002	链罩	DRIVE CHAIN COVER	1	
F08-18	B0284060150A	螺钉M6×15.2	SCREW M6×15.2	5	
F08-19	53231P100000	链条调节块	DRIVE CHAIN PULLER	2	
F08-20	08002P300010	链条调节螺钉M8	SCREW M8	2	
F08-21	B0407080005H	螺母M8	NUT M8	2	
F08-22	65761P100001	后下挡泥板	REAR LOWER FENDER	1	
F08-23	63800P100104	后减震器组件(弹簧黑色)	ABSORBER ASSY.spring in black	1	
F08-23	63800P100004	后减震器组件(弹簧红色)	ABSORBER ASSY.spring in red	1	
F08-24	08026P100000	后减震下装饰垫	AFTER THE DECORATION CUSHION DAMPING	1	
F08-25	08012P100000	后减震器下固定螺栓	REAR SHOCK ABSORBER ASSY LOWER BOLT	1	
F08-26	08011P100000	减震器固定螺栓	REAR SHOCK ABSORBER ASSY BOLT M10×1.25×45	1	
F08-27	55610P100000	后液刹安装板组件	REAR BRAKE CALIPER MOUNTING PLATE	1	
F08-28	94010P100001	速度感应器	REAR WHEEL ROTATION SENSOR	1	
F08-29	96001P360000	螺纹绑带5×210	BAND 5×210	2	

F09 后轮 REAR WHEEL ASSY.



NO.	CODE	CN DESCRIPTION	EN DESCRIPTION	QTY	REMARKS
F09-01	54004P060001	后轮轴	REAR WHEEL AXLE	1	
F09-02	54005P100100	后轮右衬套	REAR WHEEL RIGHT COLLAR	1	
F09-03	B0282060208H	螺钉M6×20-10.9-ZG	SCREW M6×20	6	
F09-04	55033P100101	后制动盘组件	REAR BRAKE DISC	1	
F09-05	B1403Z201100	气门嘴	AIR VALVE/RIM VALVE	1	
F09-06	54101P100000	后轮圈(黑色)	REAR WHEEL,BLACK	1	black
F09-07	54006P100100	后轮中间轴套	REAR WHEEL SPACER	1	
F09-08	B140111C1780	真空胎160/60-ZR17	TIRE 160/60-ZR17	1	
F09-09	08051P100100	自锁螺母M20×1.5	NUT M20×1.5	1	
F09-10	54622S010000	后轮缓冲套	REAR WHEEL DRIVE HUB DAMPER	5	
F09-11	54016P100100	后轮左轴套	REAR WHEEL LEFT COLLAR	1	
F09-12	B190105300C0	o型密封圈φ53×φ3.55	SEAL RING 36.5×1.8	1	
F09-13	B12016020400	滚动轴承6204-2RS	BALL BEARING 6204-2RS	2	
F09-14	60200J000001	防尘圈组件	DUST SEAL ASSY	1	
F09-15	60015P250010	链轮固定螺栓M10×1.25×41	SPROCKET MOUNTING BOLT M10×1.25×41	5	
F09-16	60001P100000	链轮毂	DRUM SPROCKET MOUNTING	1	
F09-17	60002P110000	链轮(45齿)白锌	SPROCKET 45TEETH	1	
F09-18	B04821012552	自锁螺母M10×1.25	NUT M10×1.25	5	
F09-19	60006P100000	链传动轴套	DRIVE SHAFT SLEEVE	1	
F09-20	54553S010000	轴承30×62×23.8	BEARING 30×62×23.8	1	
F09-21	B08810006200	挡圈φ62	CIRCLIP φ62	1	
F09-22	60310P100000	链条525HO-1×108	CHAIN 525HO-1×108	1	
F09-23	60200P100000	唇形密封圈组件	LIP SEAL ASSY 38×62×7	1	
F09-24	54100P10U60Z	后轮圈(晶彩绿U6)	REAR WHEEL ASSY,GREEN	1	green

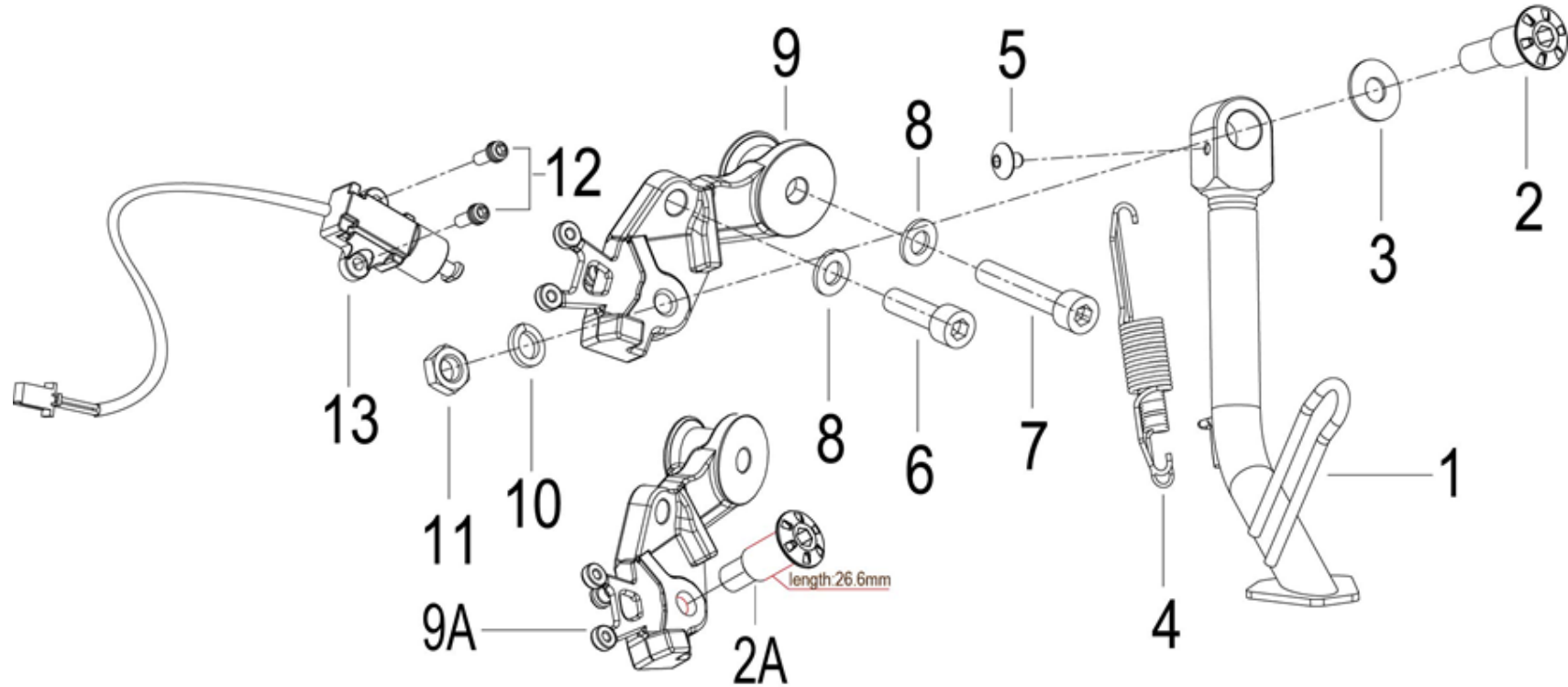
F10 车架 FRAME ASSY.



NO.	CODE	CN DESCRIPTION	EN DESCRIPTION	QTY	REMARKS
F10-01	57100P10TY00	车架焊接组件(红色)	FRAME ASSY,RED	1	
F10-01	57100P10BH00	车架焊接组件(黑色)	FRAME ASSY,BLACK	1	
F10-01	57100P10U600	车架焊接组件(晶彩绿)	FRAME ASSY,GREEN	1	

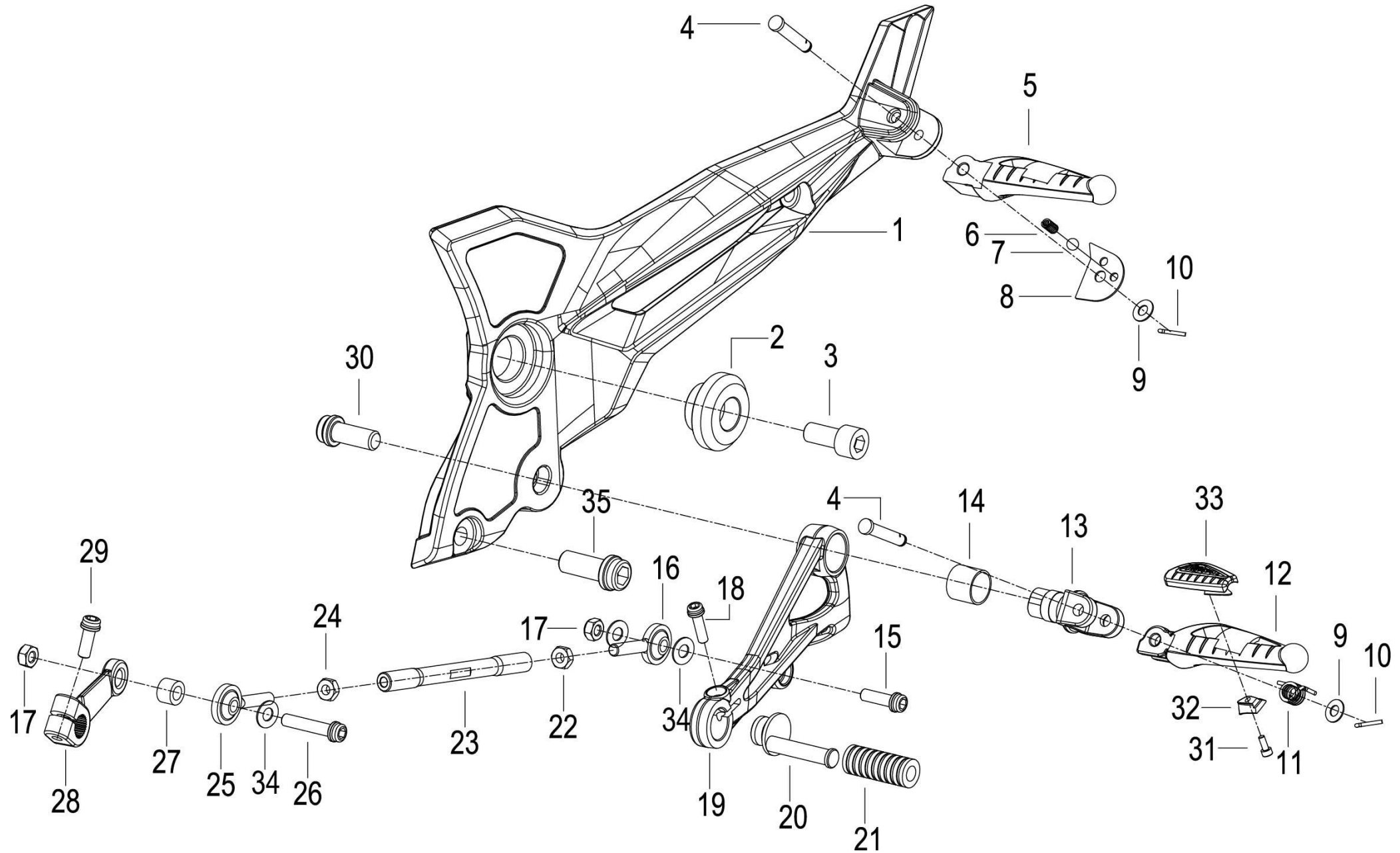
NO.	CODE	CN DESCRIPTION	EN DESCRIPTION	QTY	REMARKS
F10-03	B100432007P0	抽芯铆钉3.2×7	RIVETS 3.2×7	2	
F10-04	B02051002262	内六角螺钉M10×22	BOLT M10×22	4	
F10-05	43504E070001	缓冲块	DAMPER	2	
F10-06	58630P100000	左动力连接支架焊接组件	LEFT ENGINE MOUNTING BRACKET ASSY	1	for vin before ZBNP10116LBC13298
F10-06	58630P060001	左动力连接支架焊接组件	LEFT ENGINE MOUNTING BRACKET ASSY	1	start vin ZBNP10116LBC13298
F10-07	58640P100000	右动力连接支架焊接组件	RIGHT ENGINE MOUNTING BRACKET ASSY	1	for vin before ZBNP10116LBC13298
F10-07	58640P060001	右动力连接支架焊接组件	RIGHT ENGINE MOUNTING BRACKET ASSY	1	start vin ZBNP10116LBC13298
F10-08	B02551004562	内六角螺钉M10×1.25×45	SCREW M10×1.25×45	2	
F10-09	B02051007062	内六角螺钉M10×70	SCREW M10×70	2	
F10-10	B0700000100H	弹性垫圈10	SPRING WASHER 10	4	
F10-11	B04821012552	自锁螺母M10×1.25	NUT M10×1.25	1	
F10-12	65704J000000	护板橡胶垫乙	RUBBER CUSHION, GUARD BOARD	1	
F10-13	58752K980010	电瓶支架II	BRACKET II BATTERY	1	
F10-14	58750P100000	电瓶支架组件 I	BRACKET I BATTERY	1	
F10-15	58821J040001	橡胶护圈	RUBBER RING	12	
F10-16	B02810601262	螺钉M6×12-8.8-ZG	SCREW M6×12	4	
F10-17	58752P250000	蓄电池海绵垫	BATTERY SPONGE CUSHION	5	
F10-18	65532K98C900	左装饰盖(电镀银C9)	LEFT DECORATIVE COVER	1	
F10-19	65533K98C901	右装饰盖(电镀银C9)	RIGHT DECORATIVE COVER	1	
F10-20	B0284060150A	螺钉M6×15.2	SCREW M6×15.2	1	
F10-21	47936S010000	灰色尼龙	GREY NYLON	1	
F10-22	58430J670000	线夹组件II	CLIP ASSY	1	
F10-23	58752J00000A	蓄电池海绵垫	BATTERY SPONGE CUSHION	1	
F10-24	B02810603062	螺栓M6×30	SCREW M6×30	2	
F10-25	57007P100000	座垫锁钩导向板	SEAT CUSHION LOCK HOOK GUIDE PLATE	1	
F10-26	58900L430000	座垫钢索组件	SEAT LOCK CABLE	1	
F10-27	B0417100004H	螺母M10	NUT M10	4	
F10-28	B0205100556H	内六角螺钉M10×55	SCREW M10×55	1	
F10-29	B02051008062	内六角螺钉M10×80	SCREW M10×80	1	

F11 单撑 SIDE STAND ASSY.



NO.	CODE	CN DESCRIPTION	EN DESCRIPTION	QTY	REMARKS
F11-01	58700P100000	单撑焊接组件	SIDE STAND ASSY	1	
F11-02	57005P280100	单撑安装螺钉	SIDE STAND MOUNTING BOLT	1	for vin before ZBNP10016MBC21274
F11-02A	57005P280001	单撑安装螺钉	SIDE STAND MOUNTING BOLT	1	start vin ZBNP10016MBC21274
F11-03	08021P250000	单撑安装垫圈	SIDE STAND PLATE WASHER	1	
F11-04	57010P280000	单撑弹簧组件	SIDES TAND TENSION SPRING	1	
F11-05	B02830600862	螺栓M6×8	SCREW M6×8	1	
F11-06	B0205100306H	内六角螺钉M10×30	BOLT M10×30	1	
F11-07	B02051005062	内六角螺钉M10×50	SCREW M10×50	1	
F11-08	B0703000100H	垫圈φ10	WASHER 10	1	
F11-09	57405P280000	单撑安装支架	SIDE STAND MOUNTING BRACKET	1	for vin before ZBNP10016MBC21274
F11-09A	57405P280002	单撑安装支架	SIDE STAND MOUNTING BRACKET	1	start vin ZBNP10016MBC21274
F11-10	B07000001204	弹簧垫圈φ12	SPRING WASHER 12	1	
F11-11	B04031212514	薄螺母M12×1.25	NUT M12×1.25	1	
F11-12	B02810501462	螺栓M5×0.8×14	SCREW M5×0.8×14	2	
F11-13	91170N070100	单撑熄火开关	SIDE STAND SWITCH	1	

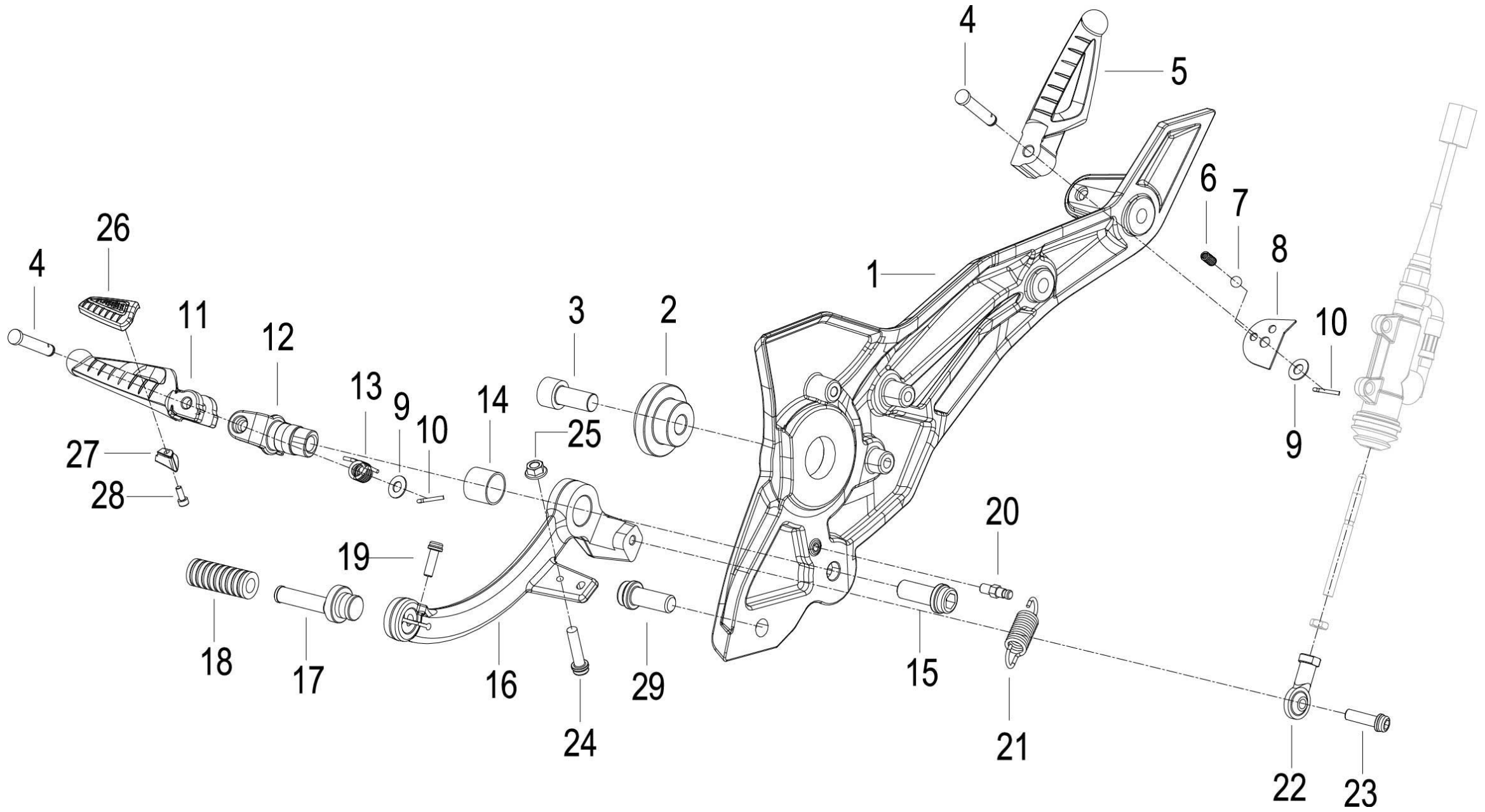
F12 左脚蹬 LEFT PEDAL ASSY.



NO.	CODE	CN DESCRIPTION	EN DESCRIPTION	QTY	REMARKS
F12-01	58226P100001	左前脚蹬支架	LEFT FRONT FOOTREST BRACKET	1	
F12-02	57026P100000	脚蹬支架安装衬套	PEDAL STENT INSTALLING BUSHING	1	
F12-03	B02051002262	内六角螺钉M10×22	SCREW M10×22	1	
F12-04	58217P100000	脚蹬安装销	FOOTREST MOUNTING PIN	2	

NO.	CODE	CN DESCRIPTION	EN DESCRIPTION	QTY	REMARKS
F12-05	58266P910010	左后脚蹬	LEFT REAR FOOTREST	1	
F12-06	58222B930000	前脚踏弹簧	FRONT FOOTREST SPRING	1	
F12-07	B06000002000	脚蹬滚珠	REAR RIGHT FOOTREST BALL	1	
F12-08	58451S010000	踏蹬安装板	FOOTREST BRACKET PLATE	1	
F12-09	B0703000060H	垫圈6	WASHER Φ6	2	
F12-10	B090002018A5	开口销2×18	COTTER PIN 2×18	1	
F12-11	58222S010010	脚踏蹬弹簧	FOOTREST SPRING	1	
F12-12	52532P910010	左脚蹬	LEFT FOOTREST	1	
F12-13	08386S04N100	拨叉杆	ROD	1	
F12-14	58511S010000	自润滑衬套	SELF-LUBRICATING BUSHING	1	
F12-15	B02810603062	螺栓M6×30	SCREW M6×30	1	
F12-16	08375S010000	节头	SECTION HEAD	1	
F12-17	B04810600052	螺母M6	NUT M6	2	
F12-18	B02810501862	螺栓M5×0.8×18	BOLT M5×0.8×18	1	
F12-19	08381P100001	变档踏杆	SHIFT PEDAL	1	
F12-20	40712P100001	后液刹脚踏	PEDAL	1	
F12-21	08372D010000	换档踏杆橡胶	SHIFT PEDAL RUBBER COVER	1	
F12-22	B04800600052	螺母M6-8-ZG	NUT M6-8-ZG	1	
F12-23	08371P100000	变档杆连接杆	SHIFT ROD	1	
F12-24	08051S040010	左螺母M6	LEFT NUT M6	1	
F12-25	40706S040000	M6左节头	M6 LEFT SECTION HEAD	1	
F12-26	B02810602562	螺钉M6×25-8.8-ZG	SCREW M6×25-8.8-ZG	1	
F12-27	08355S040000	隔套	SPACER	1	
F12-28	08386P100001	变档杆安装座	MOUNTING SEAT SHIFT ROD	1	
F12-29	B02810602062	螺栓M6×1×20	BOLT M6×1×20	1	
F12-30	08012S010010	螺栓M10×25	BOLT M10×25	2	
F12-31	B0280040100A	螺栓M4×10	BOLT M4×10	2	
F12-32	58205S020000	左脚蹬橡胶垫块	LEFT FRONT FOOTREST RUBBER PAD	2	
F12-33	08352S020000	左脚蹬橡胶	LEFT FRONT FOOTREST RUBBER	2	
F12-34	B0702000060H	垫圈φ6	WASHER Φ6	3	
F12-35	B0205100306H	内六角螺钉M10×30	BOLT M10×30	1	

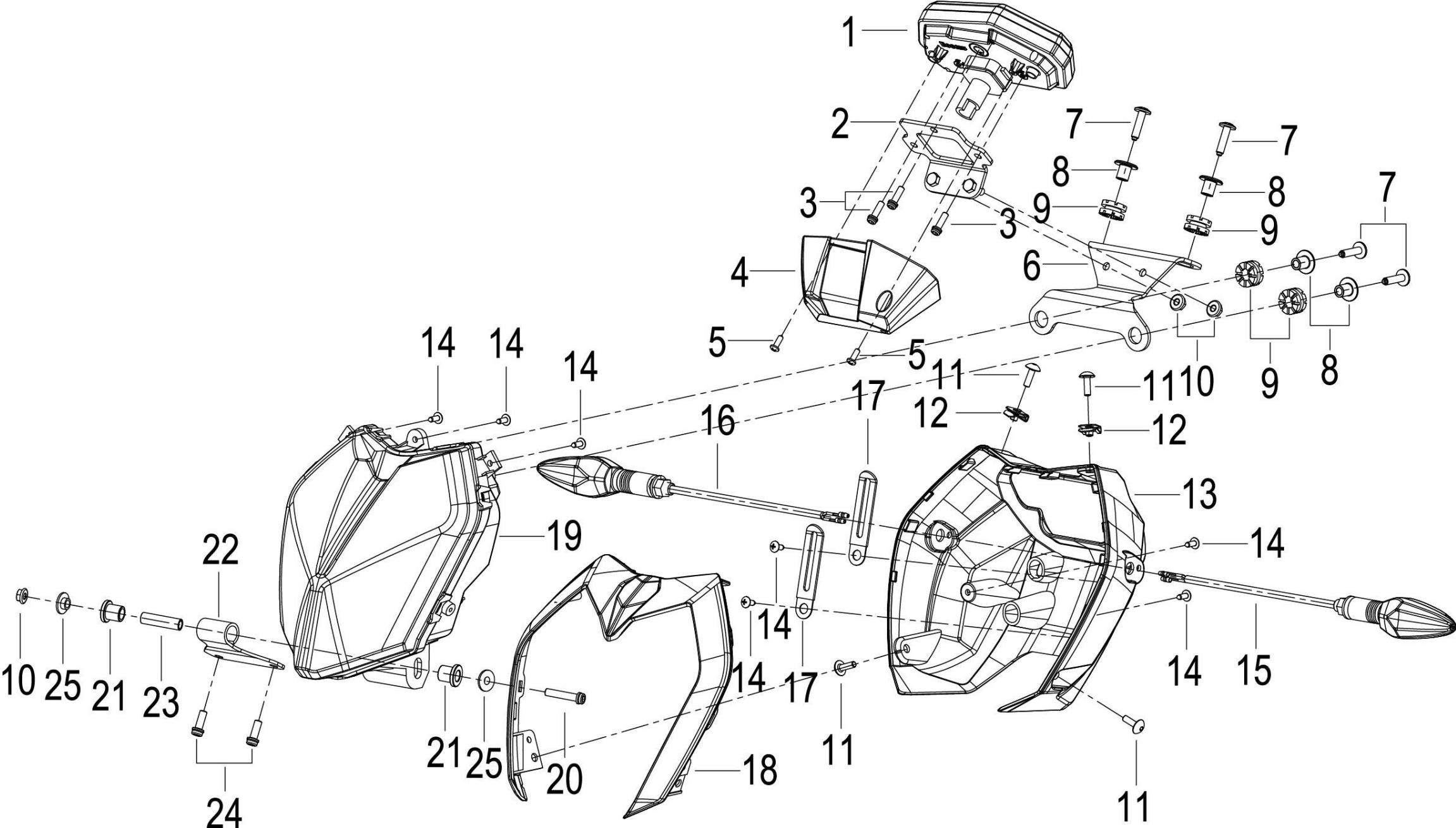
F13 右脚蹬 RIGHT PEDAL ASSY.



NO.	CODE	CN DESCRIPTION	EN DESCRIPTION	QTY	REMARKS
F13-01	58246P100001	右前脚蹬支架	RIGHT FRONT FOOTREST BRACKET	1	
F13-02	57026P100000	脚蹬支架安装衬套	PEDAL STENT INSTALLING BUSHING	1	
F13-03	B02051002262	内六角螺钉M10×22	SCREW M10×22	1	
F13-04	58217P100000	脚蹬安装销	PIN SHAFT, MOUNTING	2	
F13-05	58286P910010	右后脚蹬	REAR RIGHT FOOTREST	1	
F13-06	58222B930000	前脚踏弹簧	FRONT FOOTREST SPRING	1	
F13-07	B06000002000	脚蹬滚珠	REAR RIGHT FOOTREST BALL	1	
F13-08	58451S010000	踏蹬安装板	FOOTREST BRACKET PLATE	1	
F13-09	B0703000060H	垫圈6	WASHER Φ6	2	
F13-10	B090002018A5	开口销2×18	COTTER PIN 2×18	1	
F13-11	52552P910010	右脚蹬	KICK-PEDAL ., R.H., FRONT	1	
F13-12	08386S04N100	拨叉杆	ROD	1	
F13-13	58222S010010	脚踏蹬弹簧	FOOTREST SPRING	1	
F13-14	58511S010000	自润滑衬套	SELF-LUBRICATING BUSHING	1	
F13-15	08012S010010	螺栓M10×25	BOLT M10×25	2	
F13-16	40711P100001	刹车踏杆	KICK	1	
F13-17	40712P100001	后液刹脚踏	PEDAL	1	
F13-18	08372D010000	换档踏杆橡胶	SHIFT PEDAL RUBBER COVER	1	
F13-19	B02810501862	螺栓M5×0.8×18	BOLT M5×0.8×18	1	
F13-20	40273P250000	上部弹簧销	UPPER SPRING DOWEL	1	
F13-21	40702P100002	刹车踏板复位弹簧	REAR BRAKE RETURN SPRING	1	
F13-22	40283S010000	节头M6	SECTION HEADER M6	1	
F13-23	B02810601662	螺钉M6×1×16	SCREW M6×1×16	1	
F13-24	B0101060252H	螺栓M6×25	BOLT M6×25	1	
F13-25	B0407060005H	螺母M6	NUT M6	1	
F13-26	08372S020000	右脚蹬橡胶	RIGHT FRONT FOOTREST RUBBER	2	
F13-27	58405S020000	右脚蹬橡胶垫块	RIGHT FRONT FOOTREST RUBBER PAD	2	
F13-28	B0280040100A	螺栓M4×10	BOLT M4×10	2	
F13-29	B0205100306H	内六角螺钉M10×30	BOLT M10×30	1	

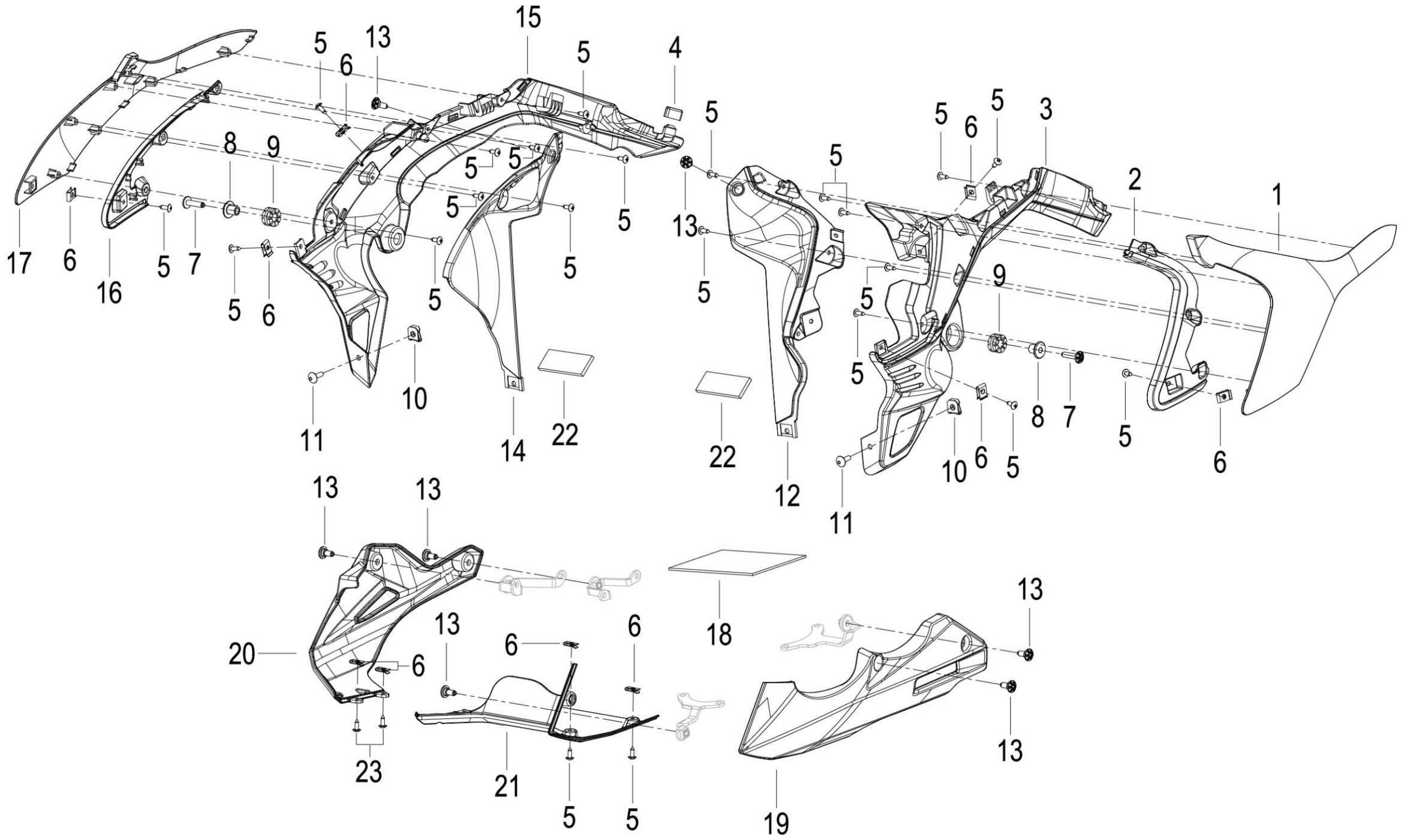
NO.	CODE	CN DESCRIPTION	EN DESCRIPTION	QTY	REMARKS
F14-01	65101P10TY00	前挡泥板(TNT1#红)	FRONT FENDER,RED TY,WITHOUT STICKER	1	
F14-01	65101P10B200	前挡泥板(珍珠黑B2)	FRONT FENDER,BLACK B2,WITHOUT STICKER	1	
F14-01	65101P10073Z	前挡泥板(珍珠黑B2)带贴花	FRONT FENDER,BLACK B2,WITH STICKER	1	
F14-01	65101P10079Z	前挡泥板(晶彩绿U6)带贴花	FRONT FENDER,GREEN U6,WITH STICKER	1	
F14-01	65101P10080Z	前挡泥板(X金黄ML)带贴花	FRONT FENDER,GOLDEN ML,WITH STICKER	1	
F14-02	B0284060150A	螺钉M6×15.2	SCREW M6×15.2	6	
F14-03	B02810501262	螺钉M5×0.8×12	SCREW M5×0.8×12	4	
F14-04	65141S010000	前泥板安装板	FRONT FENDER MOUNTING BRACKET	2	
F14-05	47936S010000	灰色尼龙	GREY NYLON	6	
F14-06	65105S040000	T型衬套5×7×6×10×0.8	T BUSHING 5×7×6×10×0.8	2	
F14-07	B0400050005H	螺母M5	NUT M5	2	
F14-08	65102N220010	前小挡泥板	FRONT FENDER FRONT	1	
F14-09	B02810501462	螺栓M5×0.8×14	SCREW M5×0.8×14	2	
F14-10	B02180501262	螺钉5×12	SCREW M5×12	1	
F14-11	B0700000050A	弹簧垫圈φ5	SPRING WASHER 5	1	
F14-12	B0703000050A	垫圈φ5	WASHER Φ5	1	
F14-13	08053G120100	护板安装夹紧螺母	NUT	1	

F15 仪表, 转向灯 METER&TURN SIGNAL LIGHT



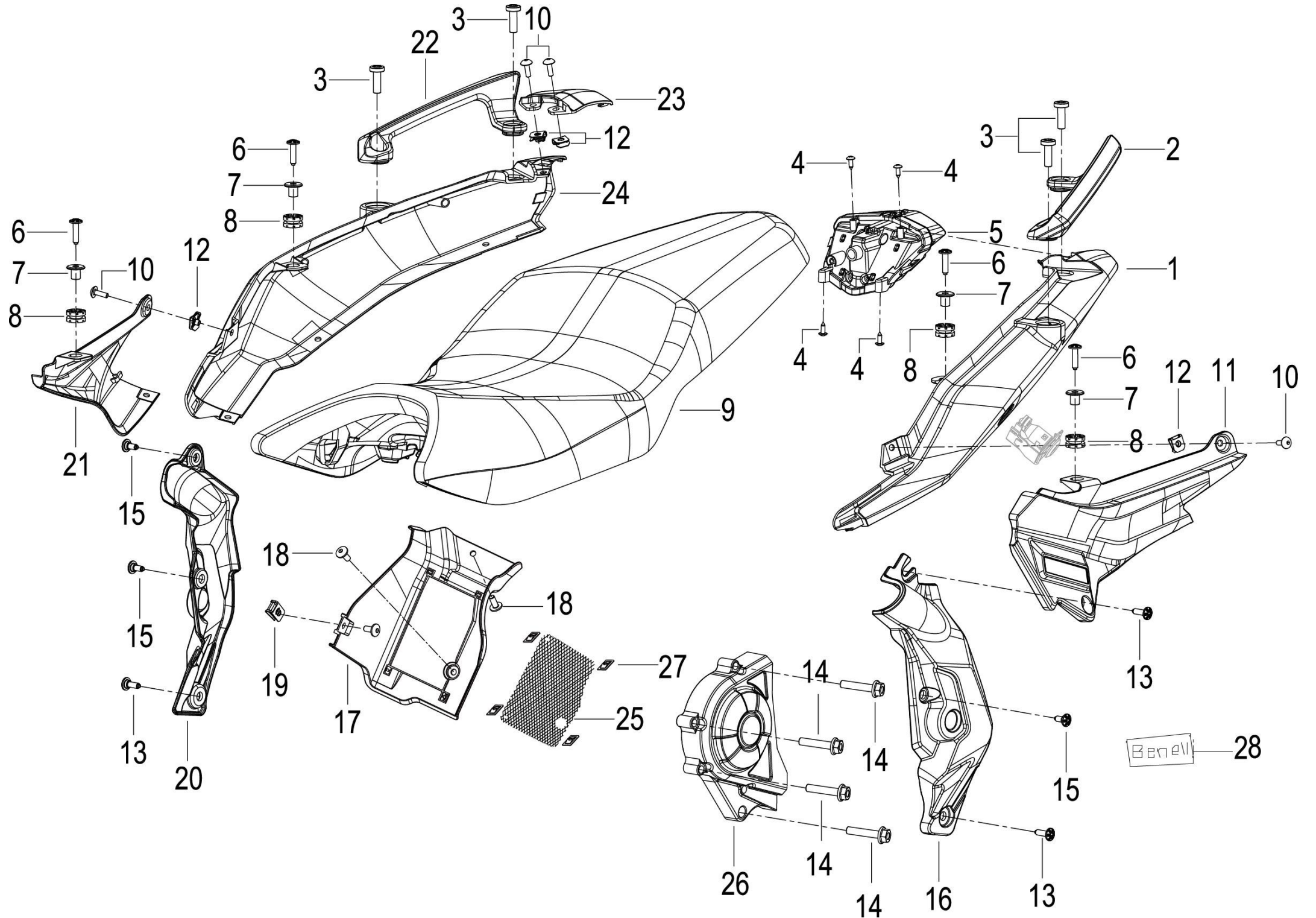
NO.	CODE	CN DESCRIPTION	EN DESCRIPTION	QTY	REMARKS
F15-01	7000P060002	仪表总成	METER ASSY	1	
F15-02	65490P060000	仪表支架焊接组件	METER BRACKET	1	
F15-03	B02810501462	螺栓M5×0.8×14	SCREW M5×0.8×14	3	
F15-04	70123P060000	仪表下盖	METER UNDER CASE	1	
F15-05	B0500420131H	十字槽盘头自攻螺钉ST4.2×13	SCREW ST4.2×13	2	
F15-06	08345P060000	大灯上支架	HEADLIGHT UPPER BRACKET	1	
F15-07	B0284060250A	不锈钢螺钉M6×25	BOLT M6×25	4	
F15-08	14003S040010	散热器上衬套	UPPER RADIATOR COLLAR	4	
F15-09	65618J820000	护板橡胶垫	RUBBER CUSHION	4	
F15-10	B0407060005H	螺母M6	NUT M6	3	
F15-11	08011P160000	不锈钢螺栓M5×12	BOLT M5×12	2	
F15-12	65624P160000	卡螺母M5	CARD NUT M5	2	
F15-13	65521P060000	导流罩后装饰板	COWLING COVER	1	
F15-14	B0507420130H	自攻螺钉ST4.2×13	TAPPING SCREW ST4.2×13	7	
F15-15	81100K980000	前左转向灯	FRONT LEFT TURN SIGNAL LIGHT	1	
F15-16	81300K980000	前右转向灯	FRONT RIGHT TURN SIGNAL LIGHT	1	
F15-17	58430J000000	线夹组件	CLIP ASSY	2	
F15-18	65501P06B200	导流罩	COWLING	1	
F15-19	80000P060000	前照灯	HEADLIGHT	1	
F15-20	08002B980000	内六角平圆头螺钉M6×60	SCREW M6×60	1	
F15-21	08524P250000	大灯缓冲套	BUFFER JACKET	2	
F15-22	08332P100000	大灯下安装板	HEADLIGHT LOWER BRACKET	1	
F15-23	08523P250010	大灯下安装隔套	HEADLIGHT LOWER SLEEVE	1	
F15-24	B02810601662	螺栓M6×1×16	BOLT M6×1×16	2	
F15-25	08305B400100	衬套	BUSH	2	

F16 油箱装饰板 FUEL TANK COVER



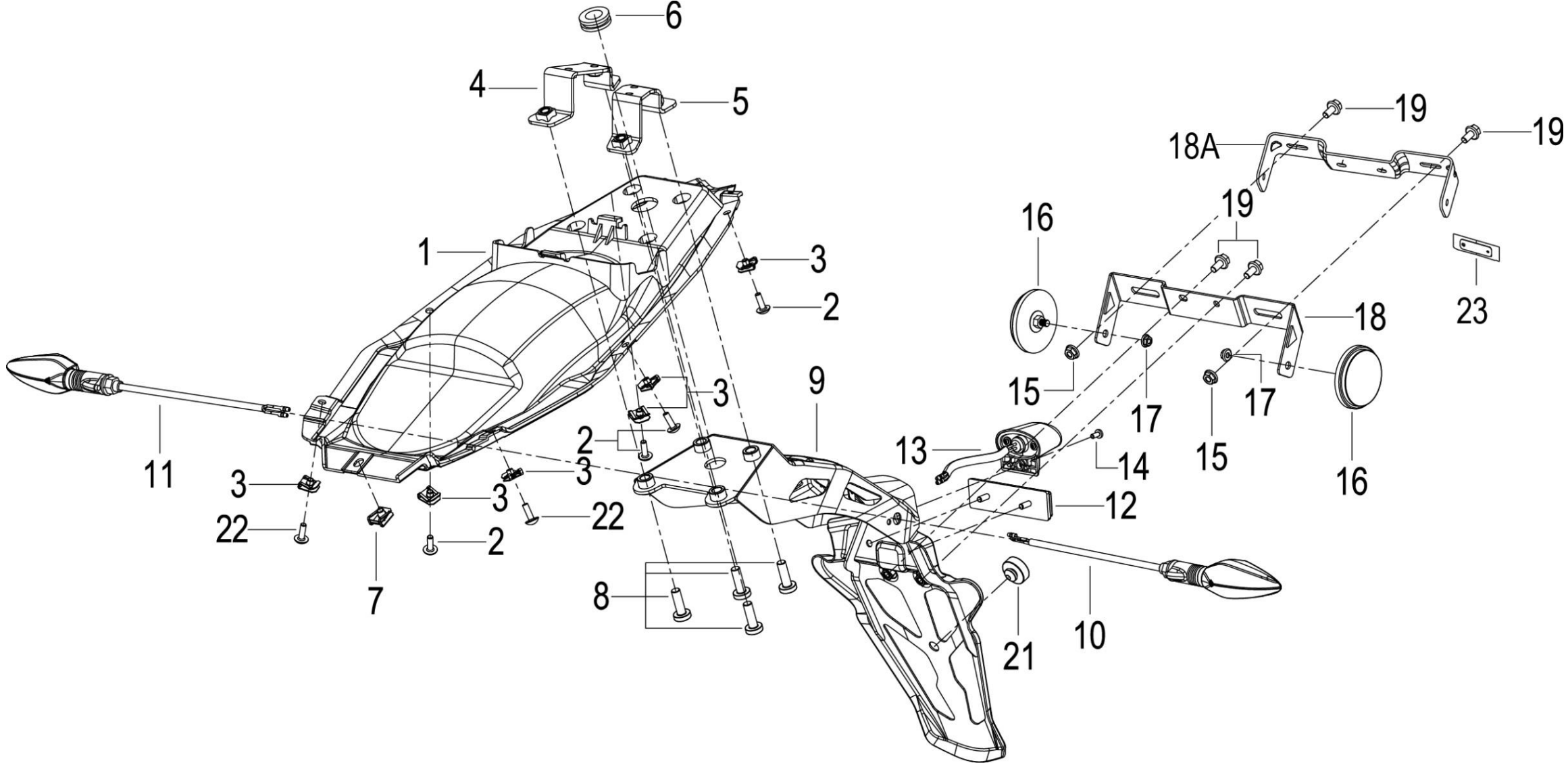
NO.	CODE	CN DESCRIPTION	EN DESCRIPTION	QTY	REMARKS
F16-01	50015P06BA00	左油箱护板(平光银黑BA)	LEFT FUEL TANK COVER, SATIN BLACK BA, WITHOUT STICKER	1	
F16-02	65677P06B200	左油箱护板装饰条II	LEFT DECORATIVE BOARD II	1	
F16-03	65671P060000	左油箱护板装饰板	LEFT DECORATIVE BOARD	1	
F16-04	50018P060000	护板橡胶套	RUBBER CUSHION	1	
F16-05	B0507420130H	自攻螺钉ST4.2×13	TAPPING SCREW ST4.2×13	22	
F16-06	65801T850100	卡片ST4.2	CARD ST4.2	10	
F16-07	B0284060250A	不锈钢螺钉M6×25	BOLT M6×25	2	
F16-08	14003S040010	散热器上衬套	UPPER RADIATOR COLLAR	2	
F16-09	65618J820000	护板橡胶垫	RUBBER CUSHION	2	
F16-10	65624P160000	卡螺母M5	CARD NUT M5	2	
F16-11	08011P160000	不锈钢螺栓M5×12	BOLT M5×12	2	
F16-12	65673P060000	左油箱护板内挡板	LEFT FUEL TANK COVER INNER PANNEL	1	
F16-13	B0284060150A	螺钉M6×15.2	SCREW M6×15.2	7	
F16-14	65674P060000	右油箱护板内挡板	RIGHT FUEL TANK COVER INNER PANNEL	1	
F16-15	65672P060000	右油箱护板装饰板	RIGHT DECORATIVE BOARD	1	
F16-16	65678P06B200	右油箱护板装饰条II	RIGHT DECORATIVE BOARD II	1	
F16-17	50016P06BA00	右油箱护板(平光银黑BA)	RIGHT FUEL TANK COVER,WITHOUT STICKER	1	
F16-18	65616P100000	动力底罩锡箔纸	ENGINE BOTTOM COWLING HEAT INSULATION FOI	1	
F16-19	65406P100000	左动力底罩	LEFT BOTTOM ENGINE COWLING	1	
F16-20	65407P100000	右动力底罩	RIGHT BOTTOM ENGINE COWLING	1	
F16-21	65436P100000	动力底罩联接板	BOTTOM ENGINE COWLING CONNECTER	1	
F16-22	58752P250000	蓄电池海绵垫	BATTERY SPONGE CUSHION	2	
F16-23	B0507420131H	十字槽扁圆头自攻螺钉ST4.2×13	TAPPING SCREW ST4.2×13	2	

F17 护板 SIDE COVER ASSY.



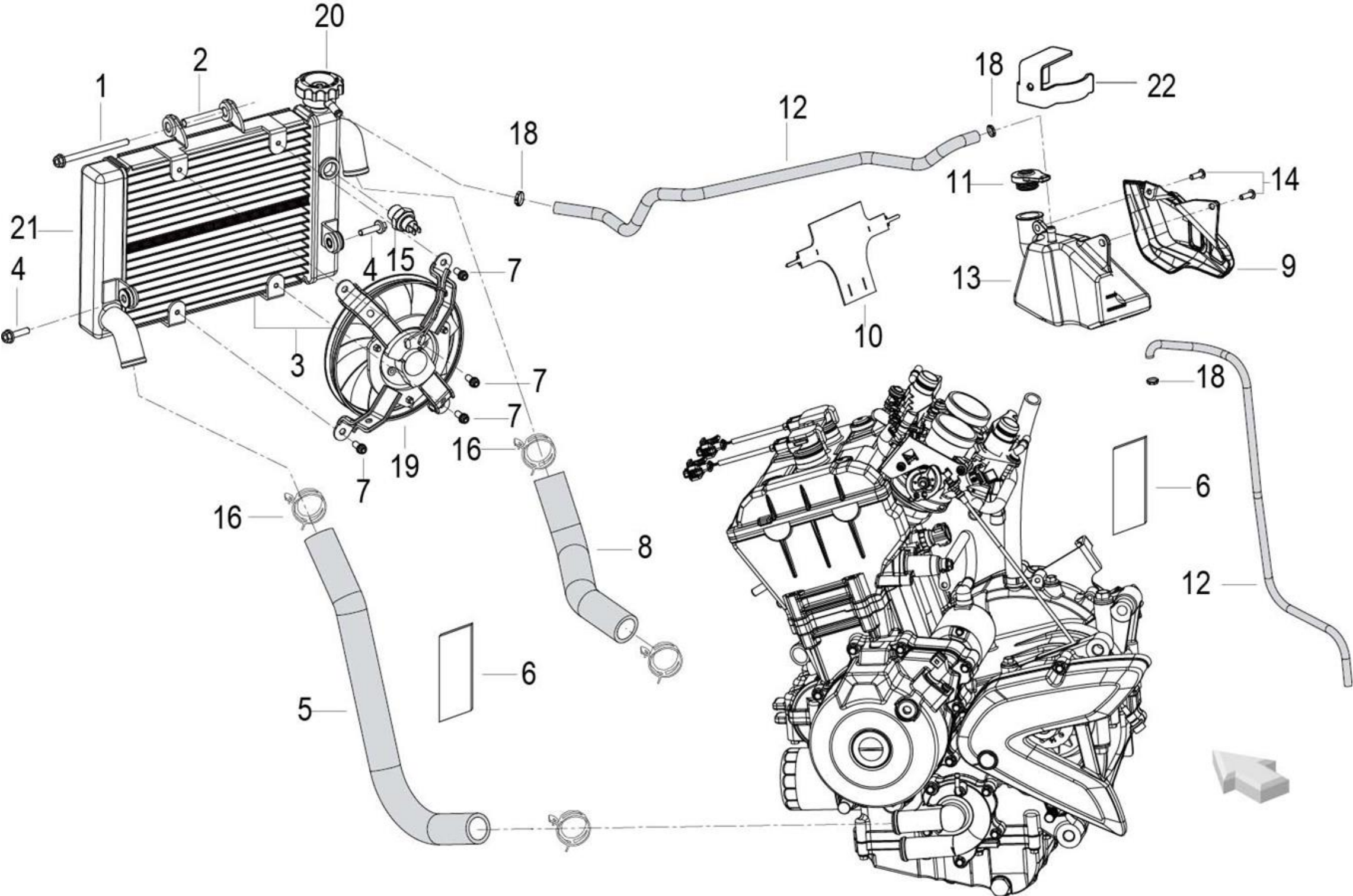
NO.	CODE	CN DESCRIPTION	EN DESCRIPTION	QTY	REMARKS
F17-01	65901P06BA00	左尾罩(平光银黑BA)	LEFT TAIL COVER,SATIN BLACK BA,WITHOUT STICKER	1	
F17-01	65901P06013Z	左尾罩(平光银黑BA)带贴花	LEFT TAIL COVER,SATIN BLACK BA,WITH STICKER	1	FOR BLACK AND RED BIKE
F17-02	52002P06BA00	左后扶手(平光银黑BA)	LEFT GRAB RAIL,SATIN BLACK BA	1	
F17-03	52018J800000	后货架螺钉	SCREW M8×25	4	
F17-04	B0507420130H	自攻螺钉ST4.2×13	TAPPING SCREW ST4.2×13	4	
F17-05	82000P060000	尾灯	TAIL LIGHT	1	
F17-06	B0284060250A	不锈钢螺钉M6×25	BOLT M6×25	4	
F17-07	14003S040010	散热器上衬套	UPPER RADIATOR COLLAR	4	
F17-08	65618J820000	护板橡胶垫	RUBBER CUSHION	4	
F17-09	51100P060020	座垫组件	SEAT ASSY	1	
F17-10	08011P160000	不锈钢螺栓M5×12	BOLT M5×12	4	
F17-11	65911P060000	左下后尾罩	LEFT LOWER TAIL COVER	1	
F17-12	65624P160000	卡螺母M5	CARD NUT M5	4	
F17-13	B01090602065	螺钉M6×20	SCREW M6×20	3	
F17-14	B01070603065	螺栓M6×30	BOLT M6×30	4	
F17-15	B0284060150A	螺钉M6×15.2	SCREW M6×15.2	3	
F17-16	58211P100000	左装饰板	LEFT COVER	1	
F17-17	65602P100001	右护板	RIGHT SIDE COVER	1	
F17-18	B0283060146H	螺钉M6×14	SCREW M6×14	3	
F17-19	65625J560100	卡螺母M6	CARD NUT M6	1	
F17-20	58311P100000	右装饰板	RIGHT COVER	1	
F17-21	65912P060000	右下后尾罩	RIGHT LOWER TAIL COVER	1	
F17-22	52011P06BA00	右后扶手(平光银黑BA)	RIGHT GRAB RAIL,SATIN BLACK BA	1	
F17-23	65606P06BA00	左右尾罩后连接板	LEFT&RIGHT TAIL COVER CONNCET BOARD	1	
F17-24	65902P06BA00	右尾罩(平光银黑BA)	RIGHT TAIL COVER,SATIN BLACK BA,WITHOUT STICKER	1	
F17-25	65622P100001	右护板铁丝网	RIGHT BARBED WIRE	1	
F17-26	169046220000	左后盖组件	LEFT REAR COVER ASSY	1	
F17-27	65311B910000	卡片	CARD	4	
F17-28	05525P100010	水晶标贴	Benelli LABEL	1	

F18 后泥板 REAR FENDER ASSY.



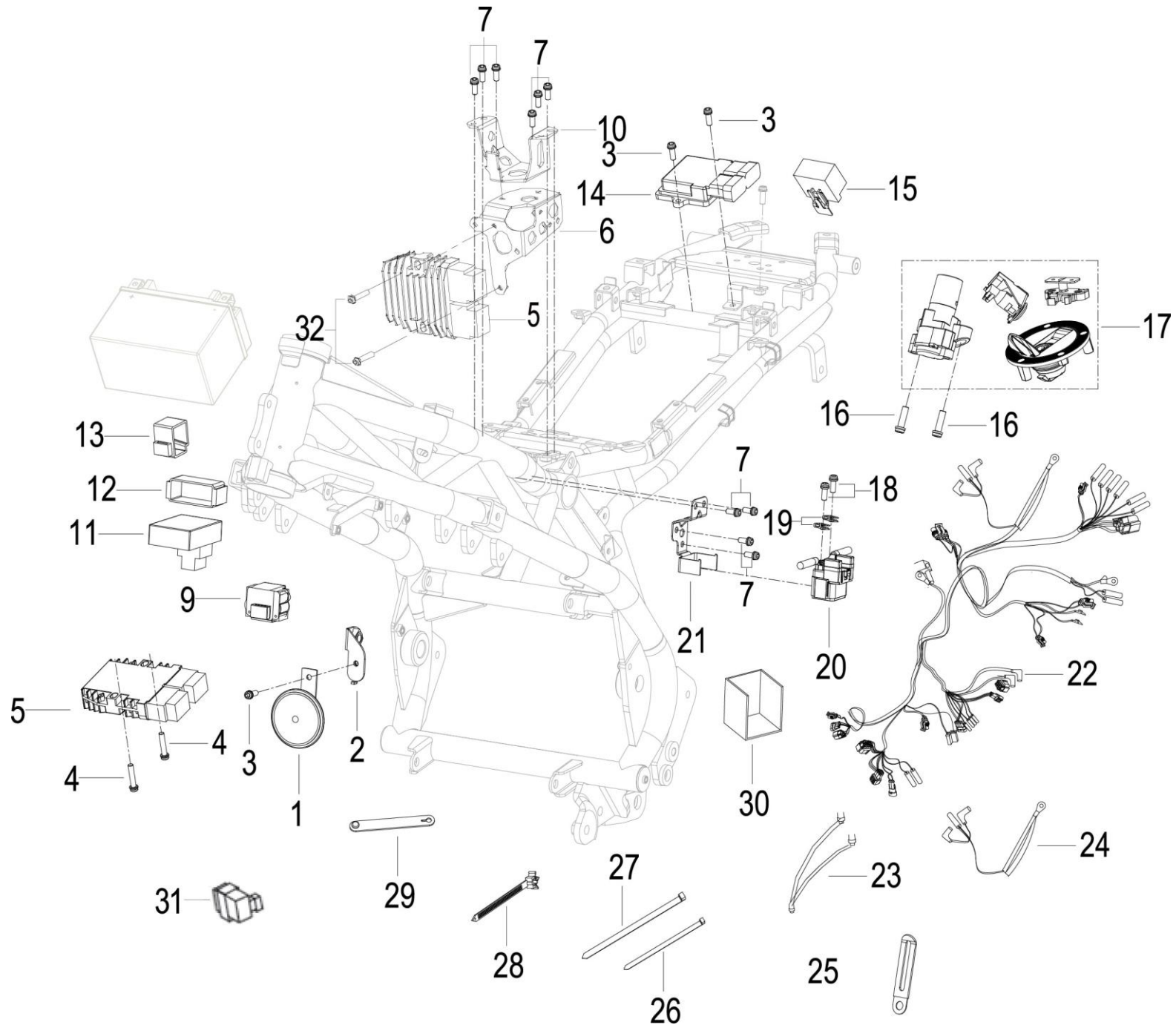
NO.	CODE	CN DESCRIPTION	EN DESCRIPTION	QTY	REMARKS
F18-01	65731P060000	后挡泥板前部	REAR FENDER FRONT PART	1	
F18-02	08011P160000	不锈钢螺栓M5×12	BOLT M5×12	4	
F18-03	65624P160000	卡螺母M5	CARD NUT M5	6	
F18-04	65790P060000	后泥板右安装板焊接组件	REAR FENDER RIGHT MOUNTING BRACKET	1	
F18-05	65780P060000	后泥板左安装板焊接组件	REAR FENDER LEFT MOUNTING BRACKET	1	
F18-06	65713H160000	后挡泥板橡胶垫	CUSHION,REAR FENDER	1	
F18-07	65625J560100	卡螺母M6	CARD NUT M6	1	
F18-08	B0281080256H	螺栓M×25	BOLT M8×25	4	
F18-09	65770V030000	后挡泥板支架组件	REAR FENDER BRACKET	1	
F18-10	81500V030000	后左转向灯	REAR LEFT TURN SIGNAL LIGHT	1	
F18-11	81700V030000	后右转向灯	REAR RIGHT TURN SIGNAL LIGHT	1	
F18-12	86500B720001	后反射体	REAR REFLECTOR	1	
F18-13	82900B470000	牌照灯	LICENSE LAMP	1	
F18-14	B0200040122H	螺钉M4×12	SCREW M4×12	1	
F18-15	B0407060005H	螺母M6	NUT M6	2	
F18-16	86300J000002	侧反射体组件M5	SIDE REFLECTOR M5	2	
F18-16	86300J000000	侧反射体组件M6	SIDE REFLECTOR M6	2	start from 2021
F18-17	B0407050005H	螺母M5	NUT M5	2	
F18-18	08252H360000	后牌照支架	REAR LICENSE MOUNTING PLATE	1	
F18-19	B0109060126H	螺栓M6×12	BOLT M6×12	4	
F18-21	51103V030000	座垫缓冲橡胶圈	RUBBER RING	1	
F18-22	08012P160000	不锈钢螺栓M5×16	BOLT M5×16	2	

F19 COOLING SYSTEM ASSY.



NO.	CODE	CN DESCRIPTION	EN DESCRIPTION	QTY	REMARKS
F19-01	B01090609562	螺栓M6×95	BOLT M6×95	1	
F19-02	57025P100100	散热器安装衬套	EVERY SET INSTALLATION RADIATOR	1	
F19-03	279126220000	水箱组件	RADIATOR ASSY	1	
F19-04	B02810602562	螺钉M6×25-8.8-ZG	SCREW M6×25-8.8-ZG	2	
F19-05	06211P100000	发动机进水管	ENGINE FEED LINE I	1	
F19-06	06228P250000	水管隔热锡箔纸	ALUMINUM FOIL	2	
F19-07	B02810601262	螺栓M6×12-8.8-ZG	BOLT M6×12-8.8-ZG	4	
F19-08	06251P100000	发动机出水管	ENGINE FEED LINE I	1	
F19-09	65424P100000	水壶装饰板	THE KETTLE DECORATIVE	1	
F19-10	65703P100000	导风橡皮	VENTILATION RUBBER	1	
F19-11	06112J690000	膨胀水壶盖	VICE WATER TANK COVER	1	
F19-12	06102T430007	膨胀水壶出水管	WATERPROOF	2	
F19-13	06111P100000	膨胀水壶	INFLATION KETTLE	1	
F19-14	B01090602065	螺钉M6×20	SCREW M6×20	1	
F19-15	279115050000	出水温开关组件	SENSOR,WATER TEMPERATURE	1	
F19-16	06103P160100	水管板式卡箍φ32	CLAMP 32	4	
F19-18	50306J690000	卡箍13.3-706R	CLAMP 13.3-706R	3	
F19-19	279026030020	风扇组件	FAN ASSY.,WATER TANK	1	
F19-20	270265050000	加水口盖组件 (300GS黑色)	COVER,RADIATOR ASSY.BLACK	1	
F19-21	279136220000	水箱组件	WATER TANK	1	
F19-22	57042N290000	水壶盖防拆支架	TAMPER BRACKET	1	

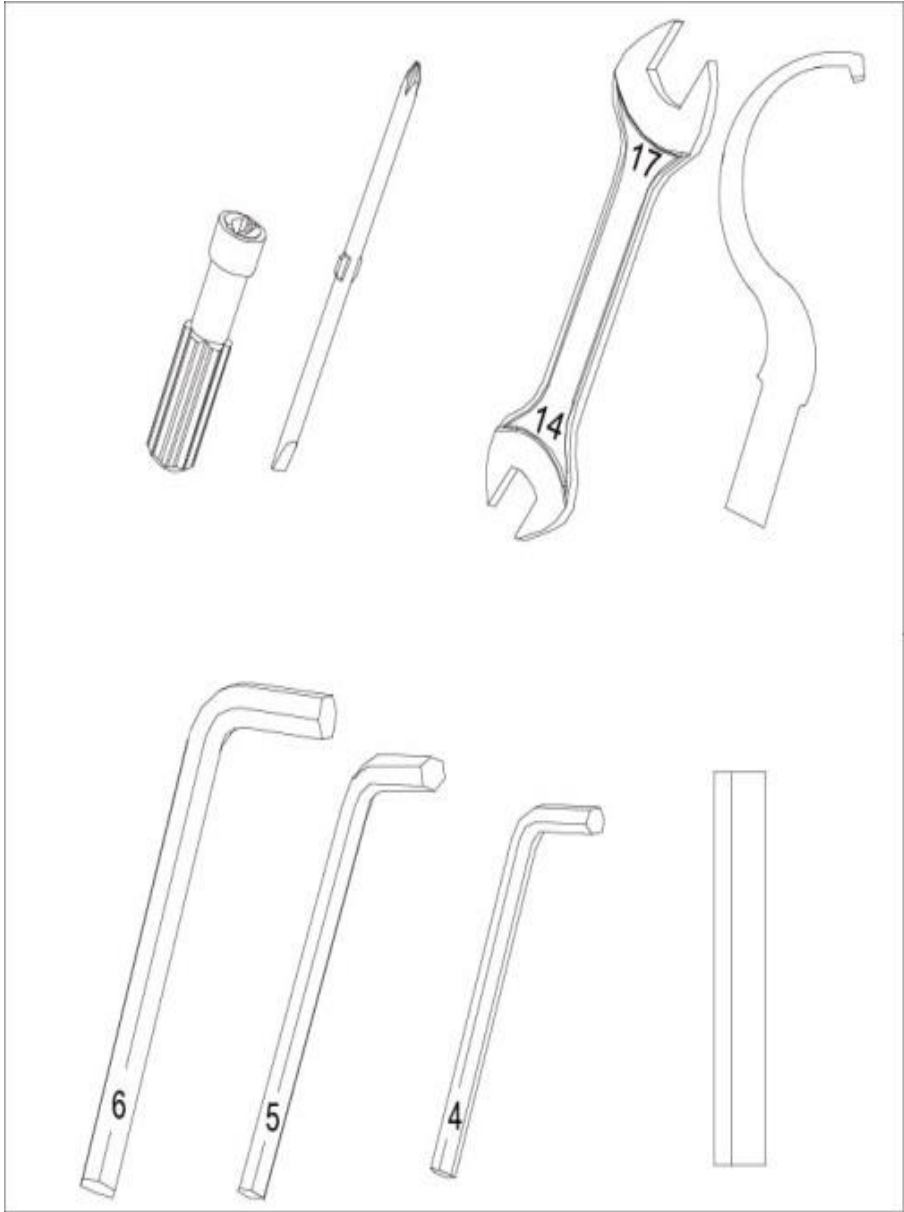
F20 电器 ELECTRICAL EQUIPMENT ASSY.



NO.	CODE	CN DESCRIPTION	EN DESCRIPTION	QTY	REMARKS
F20-01	95100S010002	喇叭	HORN	1	
F20-02	59440P100001	喇叭安装座	HORN PLATE	1	

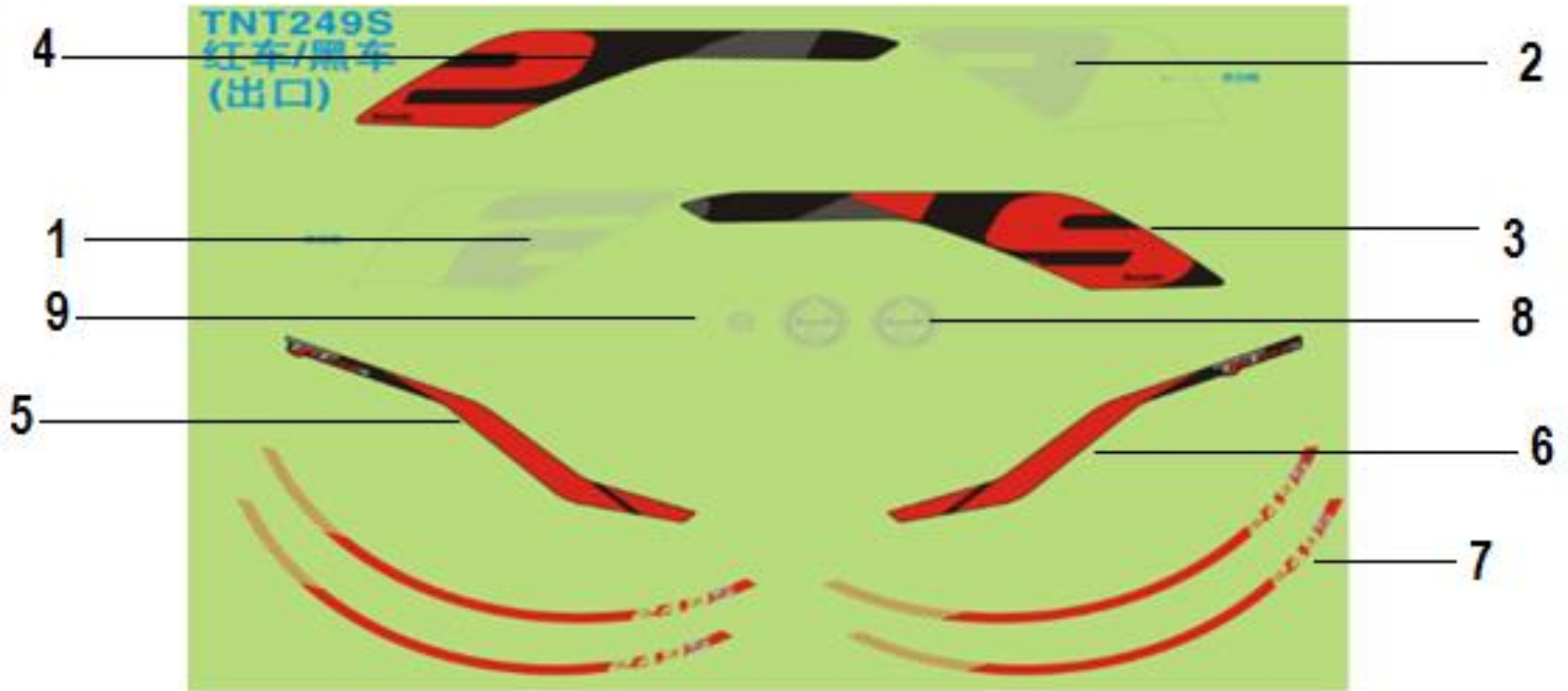
NO.	CODE	CN DESCRIPTION	EN DESCRIPTION	QTY	REMARKS
F20-03	B02810601462	螺钉M6×14	SCREW M6×14	3	
F20-04	B02810603062	螺栓M6×30	SCREW M6×30	2	
F20-05	299066060000	整流器	RECTIFIER	1	
F20-06	58790P100000	整流器安装座	HOLDER ECU	1	
F20-07	B02810601262	螺栓M6×12-8.8-ZG	SCREW M6×12	10	
F20-08	AC-YTX9-BS(HW)	蓄电YTX9-BS	BATTERY YTX9-BS (HW)	1	
F20-09	91210N300000	侧翻开关	ROLL OVER SENSOR	1	
F20-10	57471P100000	防翻转继电器安装板组件	FLASHER MOUNTING BRACKET	1	
F20-11	96400H390001	闪光器	FLASHER	1	
F20-12	96007B720001	点火器套	JACKET,FLASHER	1	
F20-13	98901S010000	传感器橡胶	SENSOR RUBBER PAD	1	
F20-14	96C00P100S01	ECU	ECU	1	
F20-15	96700K060000	启动二极管	START DIODE	1	
F20-16	B0207060202H	内六角花形盘头螺钉M6×20	SCREW M6×20	2	
F20-17	88000P100004	套锁	LOCK ASSY	1	
F20-18	B02810501262	螺钉M5×0,8×12	SCREW M5×0,8×12	2	
F20-19	08053G120100	护板安装夹紧螺母	NUT	2	
F20-20	94000S010000	启动继电器	STARTER RELAY	1	
F20-21	57403P100000	继电器安装板	RELAY MOUNTING PLATE	1	
F20-22	92000P10000V	电缆总成(大灯常亮)	MAIN WIRE HARNESS,AHO	1	
F20-23	92200P100000	电源线	POWER CABLE	1	
F20-24	92300P100000	马达线	STARTER MOTOR LEAD	1	
F20-25	58430J000000	线夹组件	CLIP ASSY	3	
F20-26	96001J000000	绑带150MM	CLAMP 150MM	1	
F20-27	96002J000000	绑带200mm	CLAMP 200MM	4	
F20-28	40098B450000	绑扎带	BAND 3×150	3	
F20-29	40023P250000	方向把软线夹	HANDLEBAR RUBBER CLIP	2	
F20-30	57041P100000	继电器挡水橡皮	RUBBER	1	
F20-31	94400N140000	大灯继电器控制器	CONTROLLER,mark:250T-4	1	
F20-32	B0109060306H	螺栓M6×30	BOLT M6×30	2	

F21 随车工具 TOOL KIT ASSY.



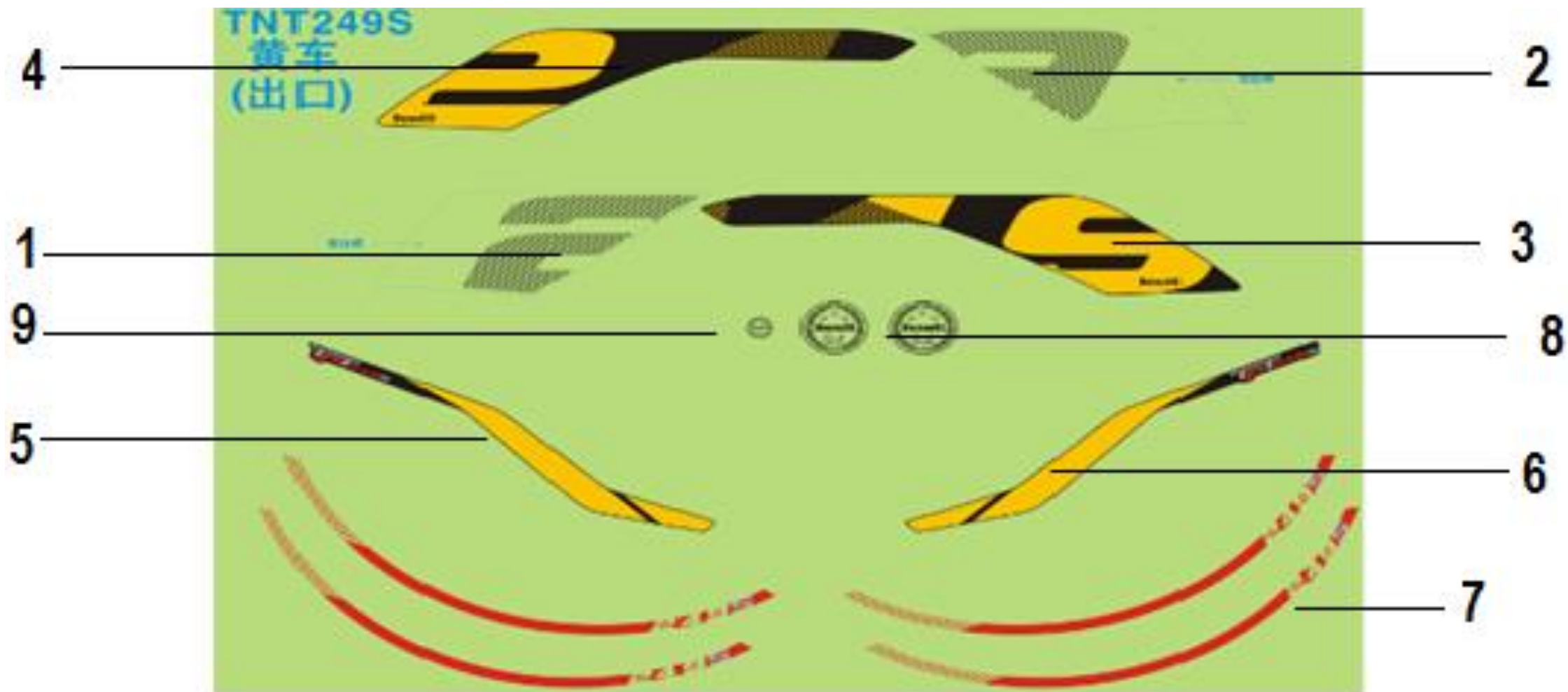
NO.	CODE	CN DESCRIPTION	EN DESCRIPTION	QTY	REMARKS
F21-01	02100P250001	随车工具	TOOK KIT	1	

F26 贴花总成 STICKER ASSY.BLACK B2/ RED TY



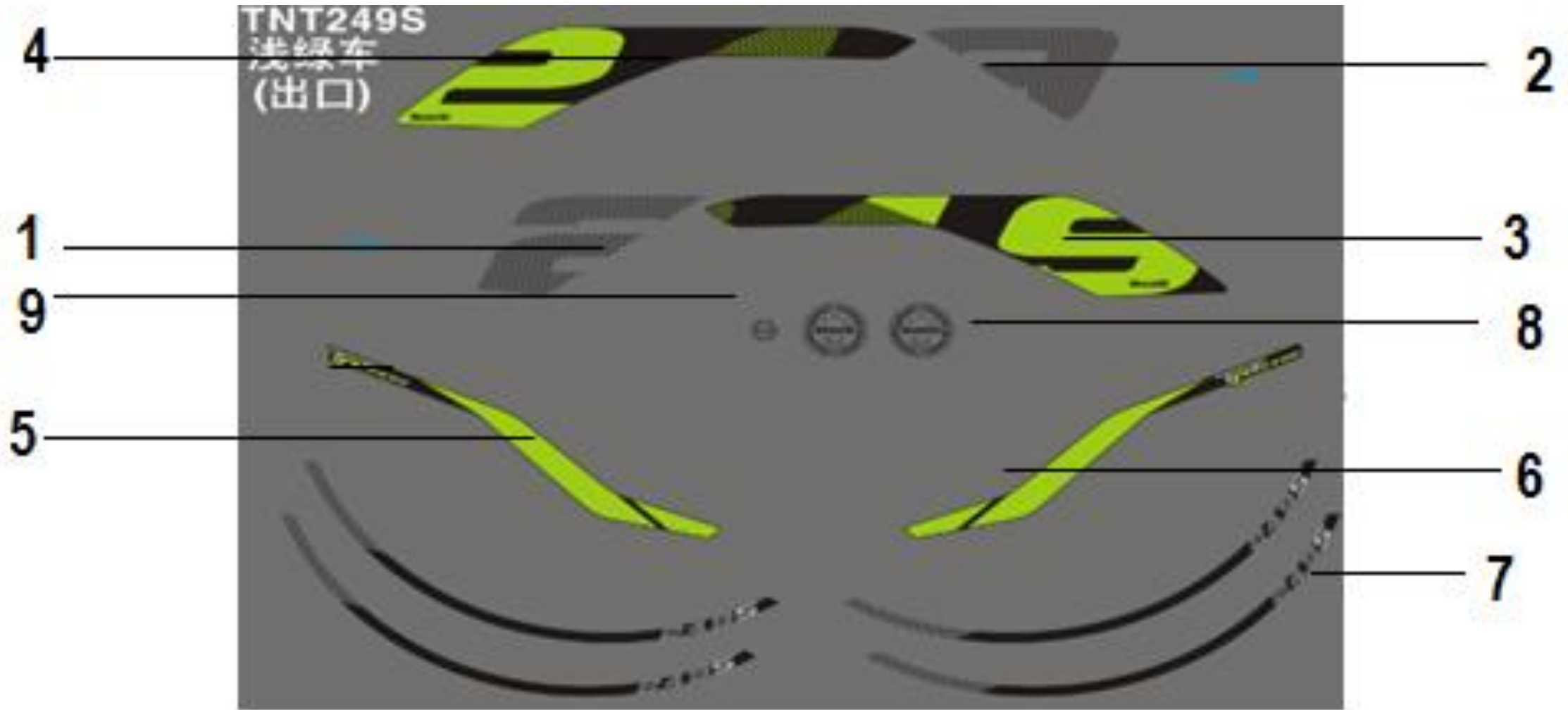
NO.	CODE	CN DESCRIPTION	EN DESCRIPTION	QTY	REMARKS
F26-01	05534P06B201	油箱右贴花	FUEL TANK RIGHT STICKER - BLACK & RED	1	
F26-02	05533P06B201	油箱左贴花	FUEL TANK LEFT STICKER - BLACK & RED	1	
F26-03	05532P06B201	油箱右护板贴花	FUEL TANK RIGHT SIDE COVER STICKER - BLACK & RED	1	
F26-04	05531P06B201	油箱左护板贴花	FUEL TANK LEFT SIDE COVER STICKER - BLACK & RED	1	
F26-05	05572P06W901	右尾罩贴花	RIGHT REAR TAIL COVER STICKER	1	
F26-06	05571P06W901	左尾罩贴花	LEFT REAR TAIL COVER STICKER	1	
F26-07	05582P06B202	轮圈贴花	TIRE STICKER	4	
F26-08	05535P06TY00	油箱标志贴花	FUEL TANK STICKER - BLACK & RED	1	
F26-09	05501P06TY00	前泥板标志贴花	FRONT FENDER STICKER	1	

F27 贴花总成 STICKER ASSY.FOR YELLOW ML



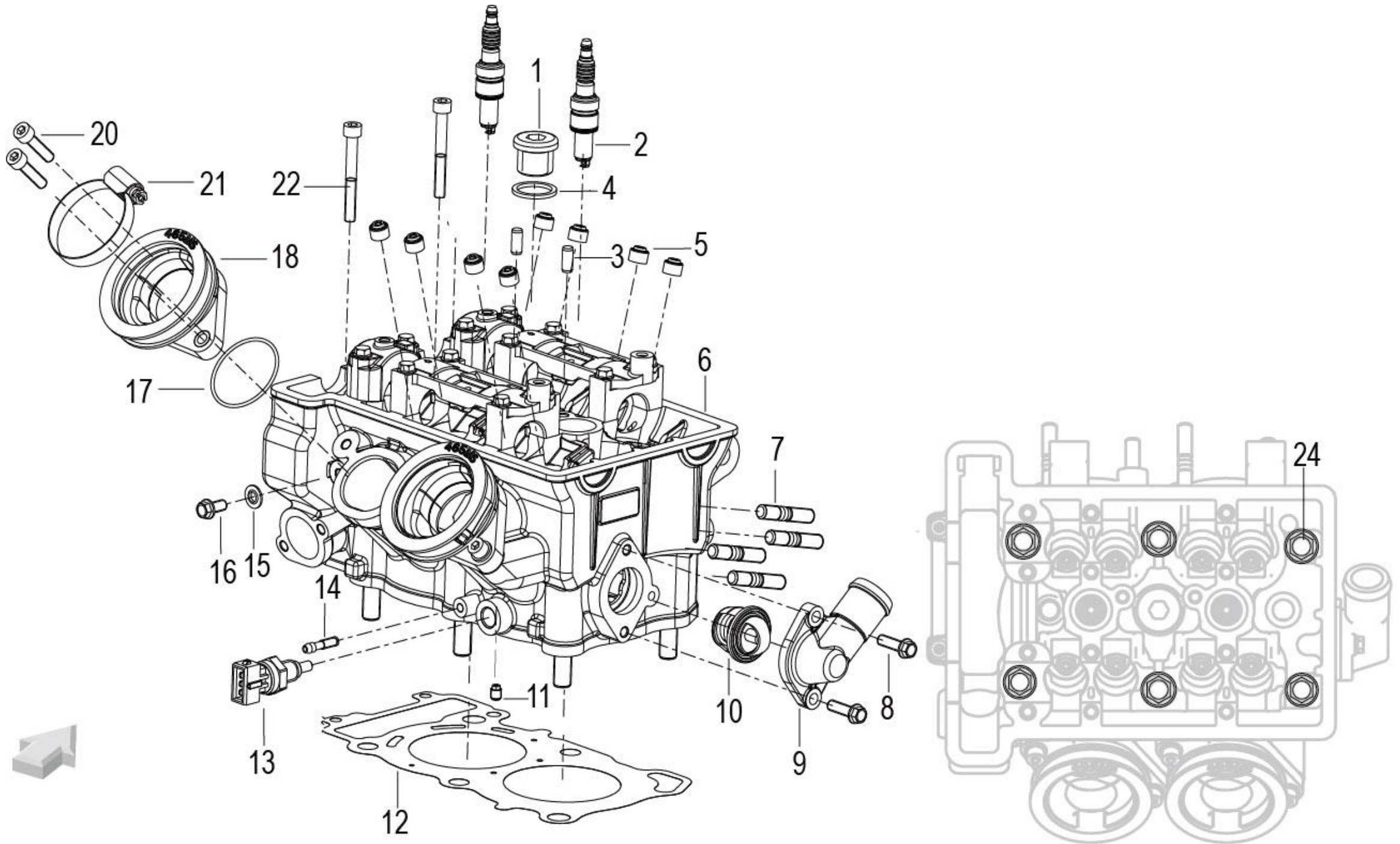
NO.	CODE	CN DESCRIPTION	EN DESCRIPTION	QTY	REMARKS
F27-01	05534P06U601	油箱右贴花	FUEL TANK RIGHT STICKER	1	
F27-02	05533P06U601	油箱左贴花	FUEL TANK LEFT STICKER	1	
F27-03	05532P06ML01	油箱右护板贴花	FUEL TANK RIGHT SIDE COVER STICKER - YELLOW	1	
F27-04	05531P06ML01	油箱左护板贴花	FUEL TANK LEFT SIDE COVER STICKER - YELLOW	1	
F27-05	05572P06ML01	右尾罩贴花	RIGHT REAR TAIL COVER STICKER - YELLOW	1	
F27-06	05571P06ML01	左尾罩贴花	LEFT REAR TAIL COVER STICKER - GOLD	1	
F27-07	05582P06B202	轮圈贴花	TIRE STICKER	4	
F27-08	05535P06U600	油箱标志贴花	FUEL TANK STICKER	1	
F27-09	05501P06U600	前泥板标志贴花	FRONT FENDER STICKER	1	

F28 贴花总成 STICKER ASSY.FOR GREEN U6



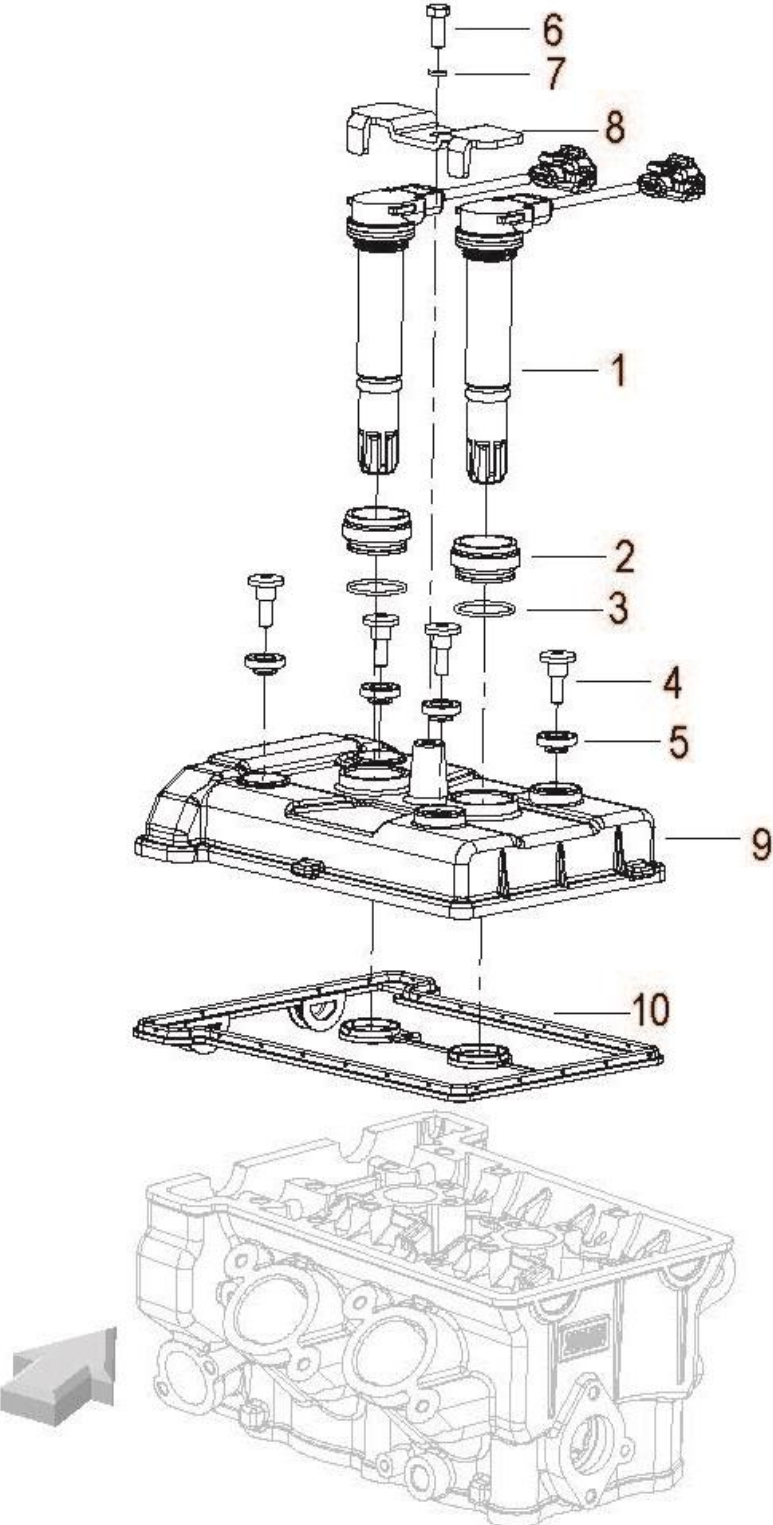
NO.	CODE	CN DESCRIPTION	EN DESCRIPTION	QTY	REMARKS
F28-01	05534P06U601	油箱右贴花	FUEL TANK RIGHT STICKER	1	
F28-02	05533P06U601	油箱左贴花	FUEL TANK LEFT STICKER	1	
F28-03	05532P06U601	油箱右护板贴花	FUEL TANK RIGHT SIDE COVER STICKER - GREEN	1	
F28-04	05531P06U601	油箱左护板贴花	FUEL TANK LEFT SIDE COVER STICKER - GREEN	1	
F28-05	05572P06U601	右尾罩贴花	RIGHT REAR TAIL COVER STICKER - GREEN	1	
F28-06	05571P06U601	左尾罩贴花	LEFT REAR TAIL COVER STICKER - GREEN	1	
F28-07	05582P06U602	轮圈贴花	TIRE STICKER	4	
F28-08	05535P06U600	油箱标志贴花	FUEL TANK STICKER	1	
F28-09	05501P06U600	前泥板标志贴花	FRONT FENDER STICKER	1	

E01 气缸盖分总成 CYLINDER HEAD

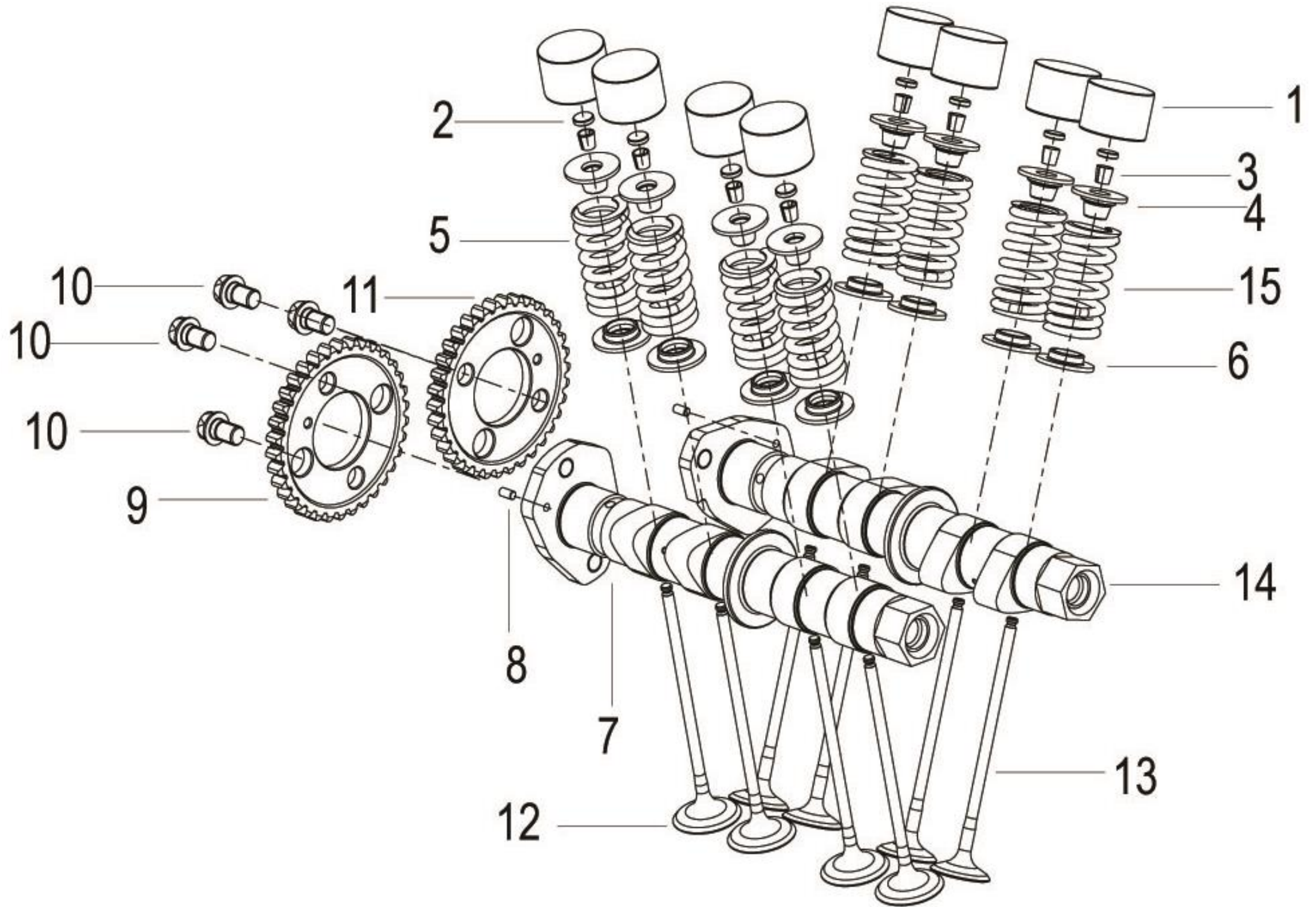


NO.	CODE	CN DESCRIPTION	EN DESCRIPTION	QTY	REMARKS
E01-01	150136030100	螺堵M20×1.5×15	SCREW STOPPER M20×1.5×15	1	
E01-02	AC-005-1201-0009	火花塞	SPARK PLUG	2	
E01-03	B091406014A0	定位销 Φ6×14	PIN,DOWEL Φ6×14	2	
E01-04	100126030000	水套定位螺钉垫片	WASHER	1	
E01-05	120126030000	气门油封	OIL SEAL ASSY	8	
E01-06	109055210010	气缸盖机加工组件(261MM)	CYLINDER HEAD ASSY,MARK:261MM	1	mark:261MM
E01-07	10004609001X	短双头螺柱M8	SHORT STUDS	4	
E01-08	270156030010	螺栓M6X20	BOLT M6X20	2	
E01-09	270776220010	恒温器盖	A THERMOSTAT COVER	1	
E01-10	279165050000	节温器	WATER THERMOSTAT	1	
E01-11	120166220000	控油螺钉	BOLT	1	
E01-12	109075210000	气缸盖垫片组件	GASKET,CYLINDER HEAD	1	
E01-13	270013160002	水温传感器	WATER TEMPERATURE REGULATOR	1	
E01-14	110033060000	管接头	PLUG	1	
E01-15	120133090002	垫片	WASHER	1	
E01-16	160106030100	螺栓M6×12	BOLT M6×12	1	
E01-17	160056090000	O形圈2162 41x1.78	O-RING2162 41X1.78	2	
E01-18	280146030000	进气管组件	AIR DUCT	2	
E01-20	B0205060206H	内六角圆柱头螺钉M6×20	SCREW M6×20	4	
E01-21	280426030000	卡箍组件	CLIP ASSY.	2	
E01-22	B0205060508H	内六角螺钉M6X50	SCREW M6X50	2	
E01-24	100236030000	缸头螺栓组件	COMBINATION BOLT	6	

E02 气缸盖罩分总成 CYLINDER HEAD COVER ASSY



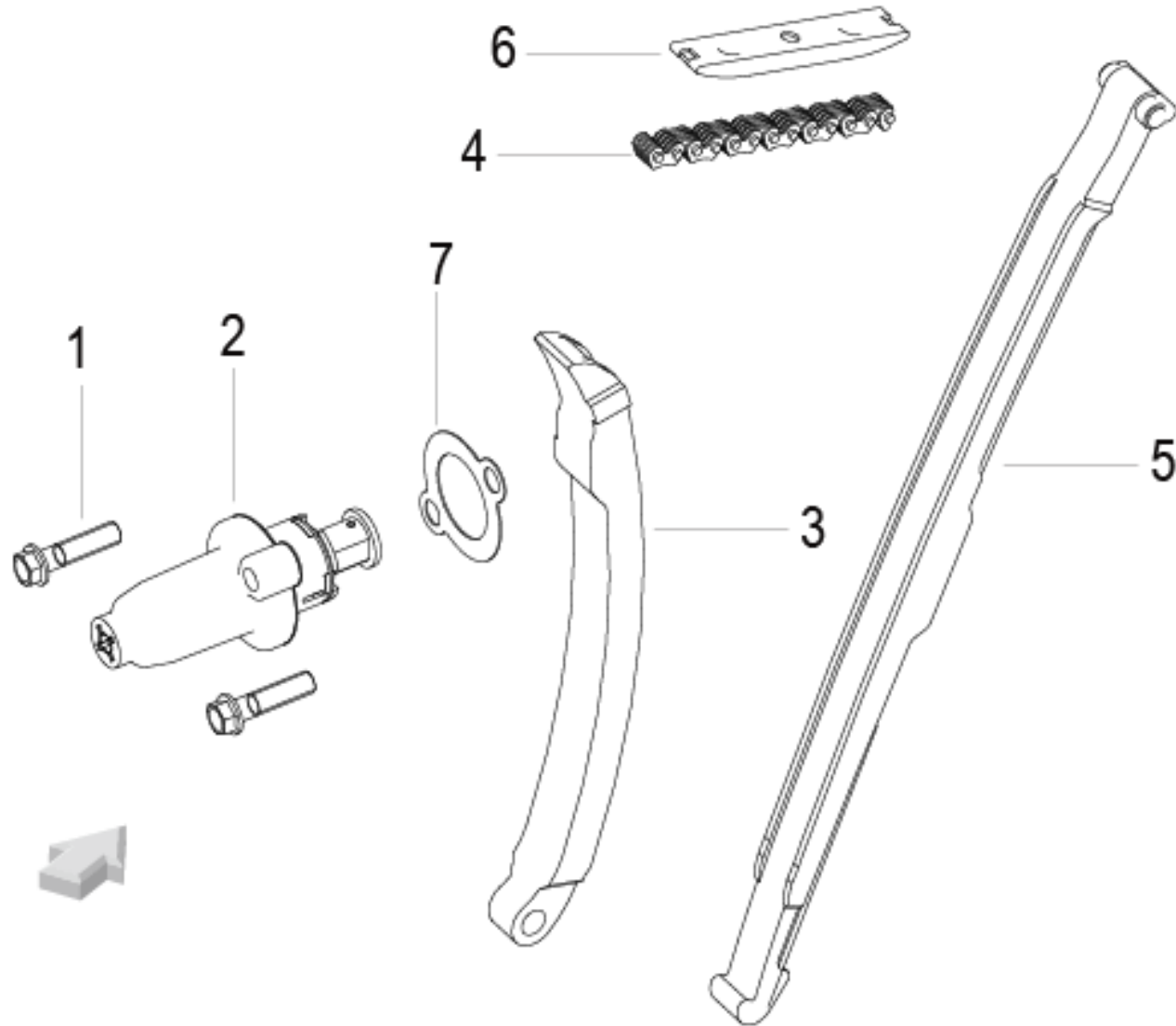
NO.	CODE	CN DESCRIPTION	EN DESCRIPTION	QTY	REMARKS
E02-01	96200P300000	点火线圈	IGNITION COIL WITH WIRE	2	
E02-02	100286030000	高压包套	HIGH-PRESSURE BUNDLE SLEEVE	2	
E02-03	B190102650B0	O型圈26.5×1.8	O-RING 26.5×1.8	2	
E02-04	110026030010	定位螺钉M6×21.5	SCREW PIN M6×21.5	4	
E02-05	100066030000	密封圈分组件	RING ASSY	4	
E02-06	B0107060166H	螺栓M6×16	BOLT M6×16	1	
E02-07	B0700000060H	弹簧垫圈6	SPRING WASHER 6	1	
E02-08	100276220000	高压包定位夹	COIL POSITIONING CLIP	1	
E02-09	109016220010	气缸盖罩	CYLINDER HEAD COVER	1	
E02-10	100146220000	缸盖罩密封垫组件	GASKET,HEAD COVER,MODULE	1	



NO.	CODE	CN DESCRIPTION	EN DESCRIPTION	QTY	REMARKS
E03-01	120506030410	气门挺柱标识410	TAPPET,MARK:410	8	
E03-01	120506030412	气门挺柱标识412	TAPPET,MARK:412	8	
E03-01	120506030414	气门挺柱标识414	TAPPET,MARK:414	8	
E03-01	120506030416	气门挺柱标识416	TAPPET,MARK:416	8	
E03-01	120506030418	气门挺柱标识418	TAPPET,MARK:418	8	
E03-01	120506030420	气门挺柱标识420	TAPPET,MARK:420	8	
E03-01	120506030422	气门挺柱标识422	TAPPET,MARK:422	8	
E03-01	120506030424	气门挺柱标识424	TAPPET,MARK:424	8	
E03-01	120506030426	气门挺柱标识426	TAPPET,MARK:426	8	
E03-01	120506030428	气门挺柱标识428	TAPPET,MARK:428	8	
E03-01	120506030430	气门挺柱标识430	TAPPET,MARK:430	8	
E03-01	120506030432	气门挺柱标识432	TAPPET,MARK:432	8	
E03-01	120506030434	气门挺柱标识434	TAPPET,MARK:434	8	
E03-01	120506030436	气门挺柱标识436	TAPPET,MARK:436	8	
E03-01	120506030438	气门挺柱标识438	TAPPET,MARK:438	8	
E03-01	120506030440	气门挺柱标识440	TAPPET,MARK:440	8	
E03-01	120506030442	气门挺柱标识442	TAPPET,MARK:442	8	
E03-01	120506030444	气门挺柱标识444	TAPPET,MARK:444	8	
E03-01	120506030446	气门挺柱标识446	TAPPET,MARK:446	8	
E03-01	120506030448	气门挺柱标识448	TAPPET,MARK:448	8	
E03-01	120506030450	气门挺柱标识450	TAPPET,MARK:450	8	
E03-01	120506030452	气门挺柱标识452	TAPPET,MARK:452	8	
E03-01	120506030454	气门挺柱标识454	TAPPET,MARK:454	8	
E03-01	120506030456	气门挺柱标识456	TAPPET,MARK:456	8	
E03-01	120506030458	气门挺柱标识458	TAPPET,MARK:458	8	
E03-01	120506030460	气门挺柱标识460	TAPPET,MARK:460	8	
E03-01	120506030462	气门挺柱标识462	TAPPET,MARK:462	8	
E03-01	120506030464	气门挺柱标识464	TAPPET,MARK:464	8	
E03-01	120506030466	气门挺柱标识466	TAPPET,MARK:466	8	
E03-01	120506030468	气门挺柱标识468	TAPPET,MARK:468	8	
E03-01	120506030470	气门挺柱标识470	TAPPET,MARK:470	8	

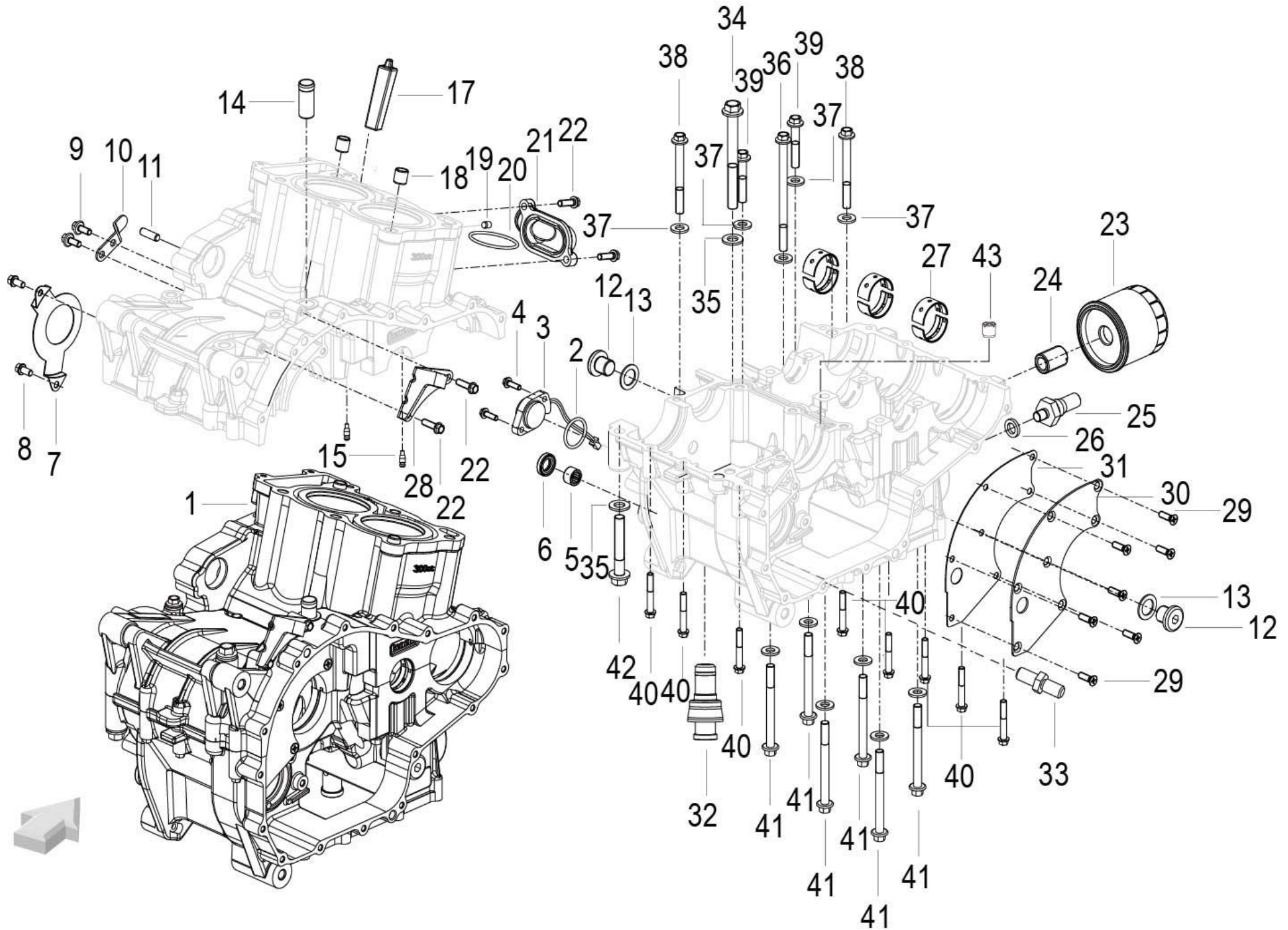
NO.	CODE	CN DESCRIPTION	EN DESCRIPTION	QTY	REMARKS
E03-01	120506030472	气门挺柱标识472	TAPPET,MARK:472	8	
E03-01	120506030474	气门挺柱标识474	TAPPET,MARK:474	8	
E03-01	120506030476	气门挺柱标识476	TAPPET,MARK:476	8	
E03-01	120506030478	气门挺柱标识478	TAPPET,MARK:478	8	
E03-03	120086030000	气门锁块	PUNCH HEEL VALVE	16	
E03-04	129336220000	气门弹簧上座	TNTAKE ROCKER SHAFT	8	
E03-05	120176220000	进气弹簧	SPRING,INLET VALVE	4	
E03-06	129216220000	气门弹簧下座	UPPER ROCHER SHAFT	8	
E03-07	129105210000	进气凸轮轴组件	INTAKE CAMSHAFT ESSY	1	
E03-08	B090103006A4	销轴3X6	PIN 3X6	2	
E03-09	129036220001	进气凸轮轴链轮	INTAKE SPROCKET	1	
E03-10	120156030000	螺栓	BOLT	4	
E03-11	129035210000	排气凸轮轴链轮	EXHAUST SPROCKET	1	
E03-12	129185210000	进气门	INTAKE VALVE	4	
E03-13	129195210000	排气门	EXHAUST VALVE	4	
E03-14	129095210000	排气凸轮轴组件	CAMSHAFT ESSY,EXHAUST	1	
E03-15	120186220000	排气弹簧	SPRING,UPPER VALVE	4	

E04 正时传动机构分总成 STRAINER UNIT ASSEMBLY



NO.	CODE	CN DESCRIPTION	EN DESCRIPTION	QTY	REMARKS
E04-01	160106030120	螺栓M6X25	HEXAGON SCREW M6X25	2	
E04-02	140036030000	分气链条调整器	TENSIONER	1	
E04-03	140256030000	挡链板橡胶	GUIDE-PLATE	1	
E04-04	140016030000	链条	CHAIN	1	
E04-05	140216030000	挡链板分组件 (一)	GUIDE 1, STARTING CHAIN	1	
E04-06	140186030000	上挡链板分组件	CHAIN PLATE COMPONENTS	1	
E04-07	140176030000	垫片	BACKUP PLATE	1	

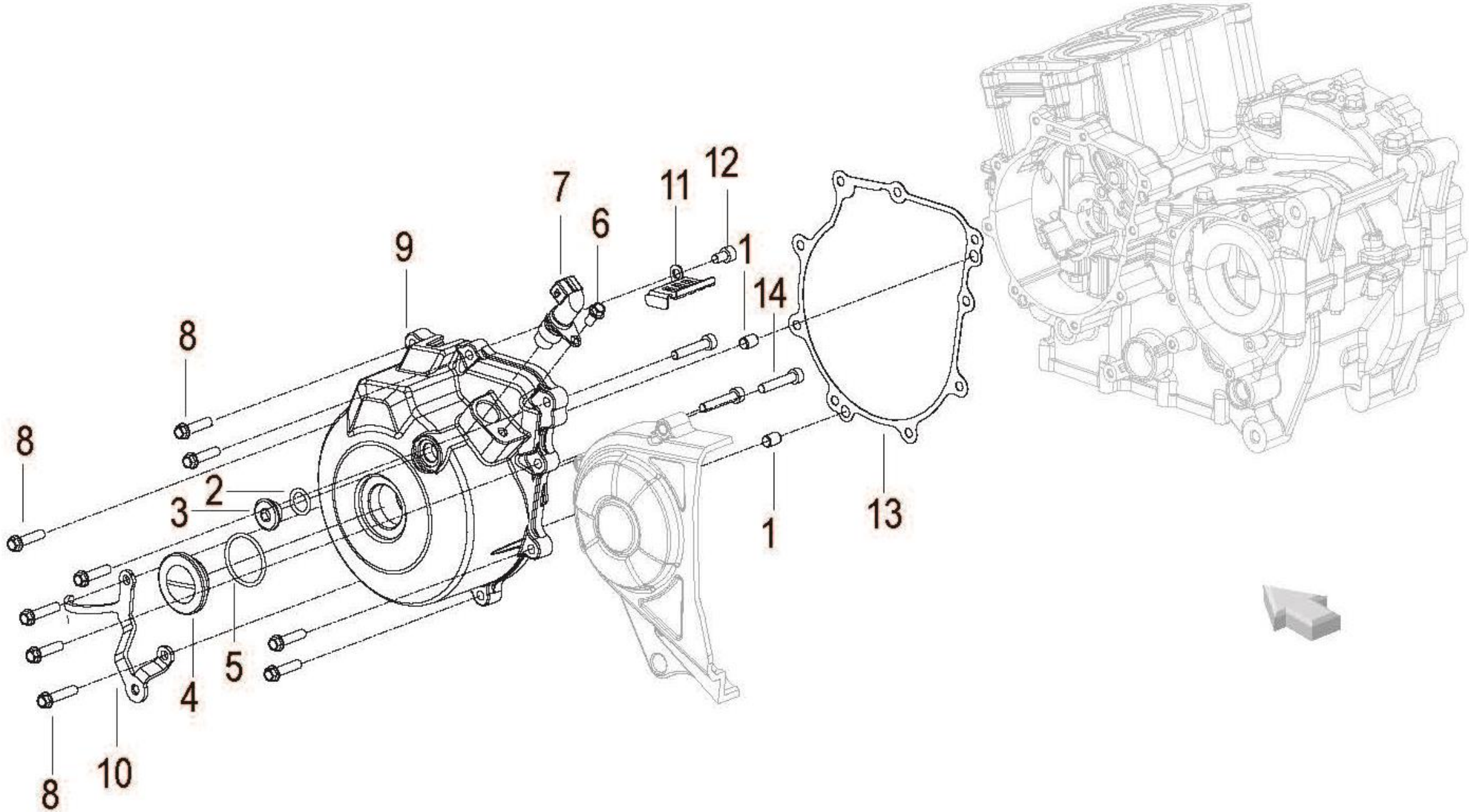
E05 曲轴箱分总成 CRANKCASE SUB-ASSY



NO.	CODE	CN DESCRIPTION	EN DESCRIPTION	QTY	REMARKS
E05-01	150055210020	曲轴箱机加工组件	CRANKCASE ASSY.mark:261MM&249cm3	1	mark: 261MM&249cm3
E05-02	B190102580B0	O形密封圈25.8×2.65	O RING 25.8×2.65	1	
E05-03	150196030020	档位传感器	GEAR SENSOR	1	
E05-04	150316030180	螺栓M5X16	BOLT M5X16	2	
E05-05	B1212K121002	滚针轴承12x16x10	NEEDLE BEARING 12×16×10	1	
E05-06	150025040000	油封 I	OIL SEAL	1	
E05-07	150346030000	油封压板	SEAL PLATE	1	
E05-08	B01070601263	螺栓M6X12	BOLT M6X12	2	
E05-09	B0107060146H	螺栓M6X14	BOLT M6X14	2	
E05-10	150136220000	压板	HOLDDOWN	1	
E05-11	150156220000	导链板销	CHAIN PLATE GUIDE PIN	1	
E05-12	150086030100	螺堵M16×1×15	SCREW STOPPER M16×1×15	2	
E05-13	150086220000	铜垫圈M16	WASHER 16	2	
E05-14	150146220000	管接头	PIPE	1	
E05-15	120166030100	控油螺钉M6×8	BOLT M6×8	2	
E05-17	150116220000	橡胶塞	RUBBER PLUG	1	
E05-18	170236090000	定位销10.5×13×13	DOWEL PIN 10.5×13×13	2	
E05-19	150103070000	堵头	PLUG	1	
E05-20	150066030000	密封圈46X2.4	RING 46×2.4	1	
E05-21	15010622HT01	水管接头(钱江灰HT)	INLET PIPE,GREY HT	1	
E05-22	270156030010	螺栓M6X20	BOLT M6X20	4	
E05-23	260146090010	机油滤清器	OIL FILTER	1	
E05-24	160106110000	连接螺栓	CONNECT BOLT	1	
E05-25	240026090000	最小机油压力开关	MINIMUM OIL PRESSURE SWITCH	1	
E05-26	240056090000	垫片 11x18x3	GASKET 11×18×3	1	
E05-27	150026030000	主轴瓦(黄)	MAIN BEARING ,YELLOW	6	
E05-27	150026030010	主轴瓦(红)	MAIN BEARING ,RED	6	
E05-27	150026030011	主轴瓦(绿)	MAIN BEARING ,GREEN	6	
E05-27	150026030012	主轴瓦(蓝)	MAIN BEARING ,BLUE	6	
E05-28	169246220010	钢索支架	CLUTCH STEEL CABLE SUPPORT	1	
E05-29	B02010601623	十字槽沉头螺钉M6x16	SCREW M6x16	7	

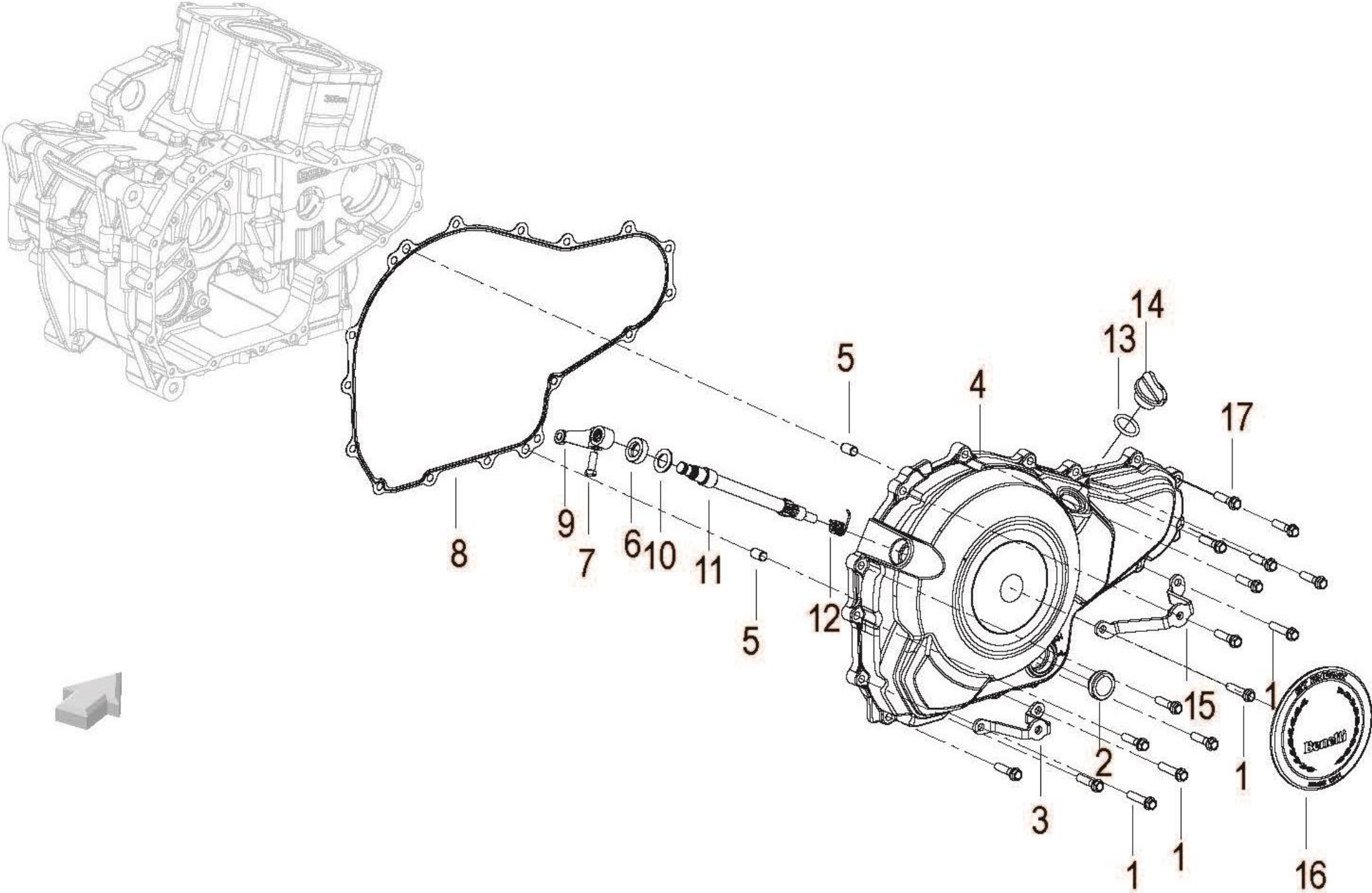
NO.	CODE	CN DESCRIPTION	EN DESCRIPTION	QTY	REMARKS
E05-30	150046220000	呼吸阀隔板	BREATHING VALVE SPACER	1	
E05-31	150036220000	呼吸阀纸垫	GASKET,BREATHING VALVE	1	
E05-32	260126030010	溢流阀组件	REDUCING VALVE	1	
E05-33	150116030100	变档臂定位轴M8×32	VARIABLE GEAR ARM POSITIONING SHAFT M8×32	1	
E05-34	150316030120	螺栓M10X100	BOLT M10X100	1	
E05-35	240056090000	垫片 11x18x3	WASHER 11×18×3	2	
E05-36	150316030130	螺栓M8X115	BOLT M8X115	1	
E05-37	150156030000	垫圈8	WASHER 8	11	
E05-38	150316030110	螺栓M8X75	BOLT M8X75	2	
E05-39	150316030140	螺栓M8X45	BOLT M8X45	2	
E05-40	150316030150	螺栓M6X40	BOLT M6X40	8	
E05-41	B01070808584	螺栓M8X85	BOLT M8X85	6	
E05-42	150316030160	螺栓M10X60	BOLT M10X60	1	
E05-43	150076030000	油道堵头	PLUG	1	

E06 左盖分总成 LEFT COVER ASSY



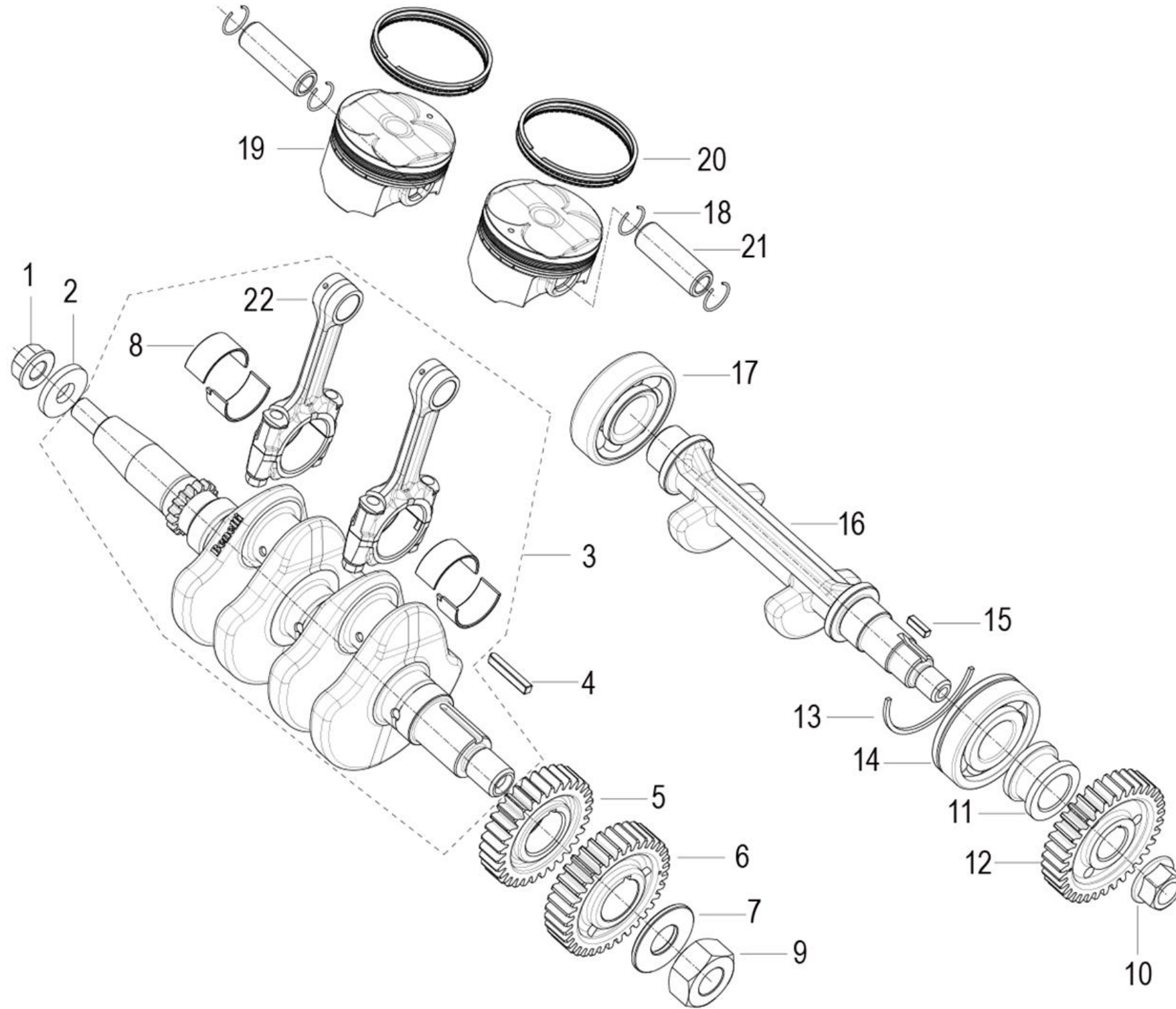
NO.	CODE	CN DESCRIPTION	EN DESCRIPTION	QTY	REMARKS
E06-01	160056030000	定位销	DOWEL PIN	2	
E06-02	B190101330B0	O型圈13.3×2.65	O RING 13.3×2.65	1	
E06-03	160053070030	螺塞	PLUG SEE	1	
E06-04	169166030030	观察孔盖	PLUG,COVER MAGNETO	1	
E06-05	160076030000	O型圈32×2.5	O RING 32×2.5	1	
E06-06	160106030100	螺栓M6×12	BOLT M6×12	1	
E06-07	290016220000	曲轴位置传感器	PHASE SENSOR	1	
E06-08	160106030120	螺栓M6x25	BOLT M6X25	9	
E06-09	169026220040	左盖(BENELLI字样)	LEFT COVER,MARK:BENELLI	1	
E06-10	260096220000	左底罩支架组件II	BRACKET ASSY LEFT BOTTOM COWL	1	
E06-11	160046030000	压线夹	CLAMP PRESSURE	1	
E06-12	B0205060128H	内六角螺钉M6x12	SCREW M6X12	1	
E06-13	169076220000	左盖垫片	GASKET LEFT COVER	1	
E06-14	B0205060326H	螺钉M6x12	SCREW M6X12	3	

E07 右盖分总成 RIGHT COVER ASSY



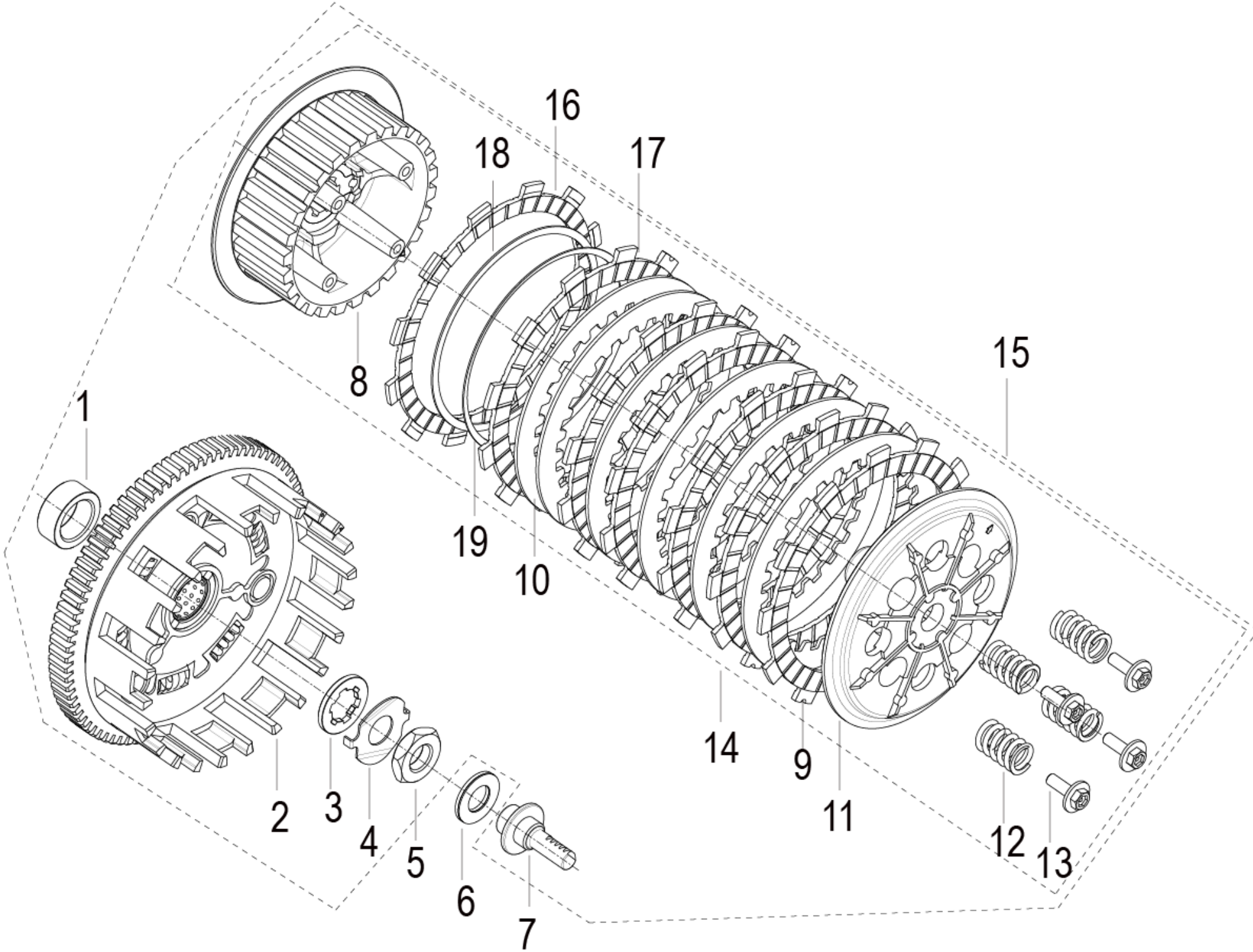
NO.	CODE	CN DESCRIPTION	EN DESCRIPTION	QTY	REMARKS
E07-01	270016220020	螺栓M6X28	HEXAGON SCREW M6X28	4	
E07-02	160083090000	油面指示器组合	OIL ON THE INDICATOR COMBINED	1	
E07-03	160016220000	右底罩支架组件	BRACKET ASSY RIGHT BOTTOM COWL	1	
E07-04	169106220020	右盖	RIGHT COVER	1	
E07-05	160073070000	定位销6.7 X 8 X 14	DOWEL PIN 6.7 X 8 X 14	2	
E07-06	160023090000	曲轴油封	OIL SEAL	1	
E07-07	B0281060166H	螺栓M6X1X16	BOLT M6X1X16	1	
E07-08	169116220010	右盖垫片	RIGHT COVER GASKET	1	
E07-09	209073090010	分离杠杆(军绿)	SEPARATION LEVER,in green	1	
E07-10	160106220000	垫片	GASKET,L CRANKCASE	1	
E07-11	169226220020	离合器分离杆	ROD RELEASE	1	
E07-12	200034050000	分离杆弹簧	SPRING CLUTCH RELEASE	1	
E07-13	160063070000	O型圈18X3.5	O-RING 18X3.5	1	
E07-14	160063090050	加油口螺塞	CAP OIL FILLER	1	
E07-15	160056220000	右底罩支架组件II	BRACKET ASSY RIGHT BOTTOM II	1	
E07-16	05597K740000	发动机边盖标牌 (Benelli)	THE ENGINE SIDE COVER PLATE,MARK:Benelli	1	
E07-17	160106030120	螺栓M6X25	HEXAGON BOLT M6X25	12	

E08 活塞连杆曲轴平衡轴分总成 PISTON,CONNECTING ROD & CRANKSHAFT ASSY



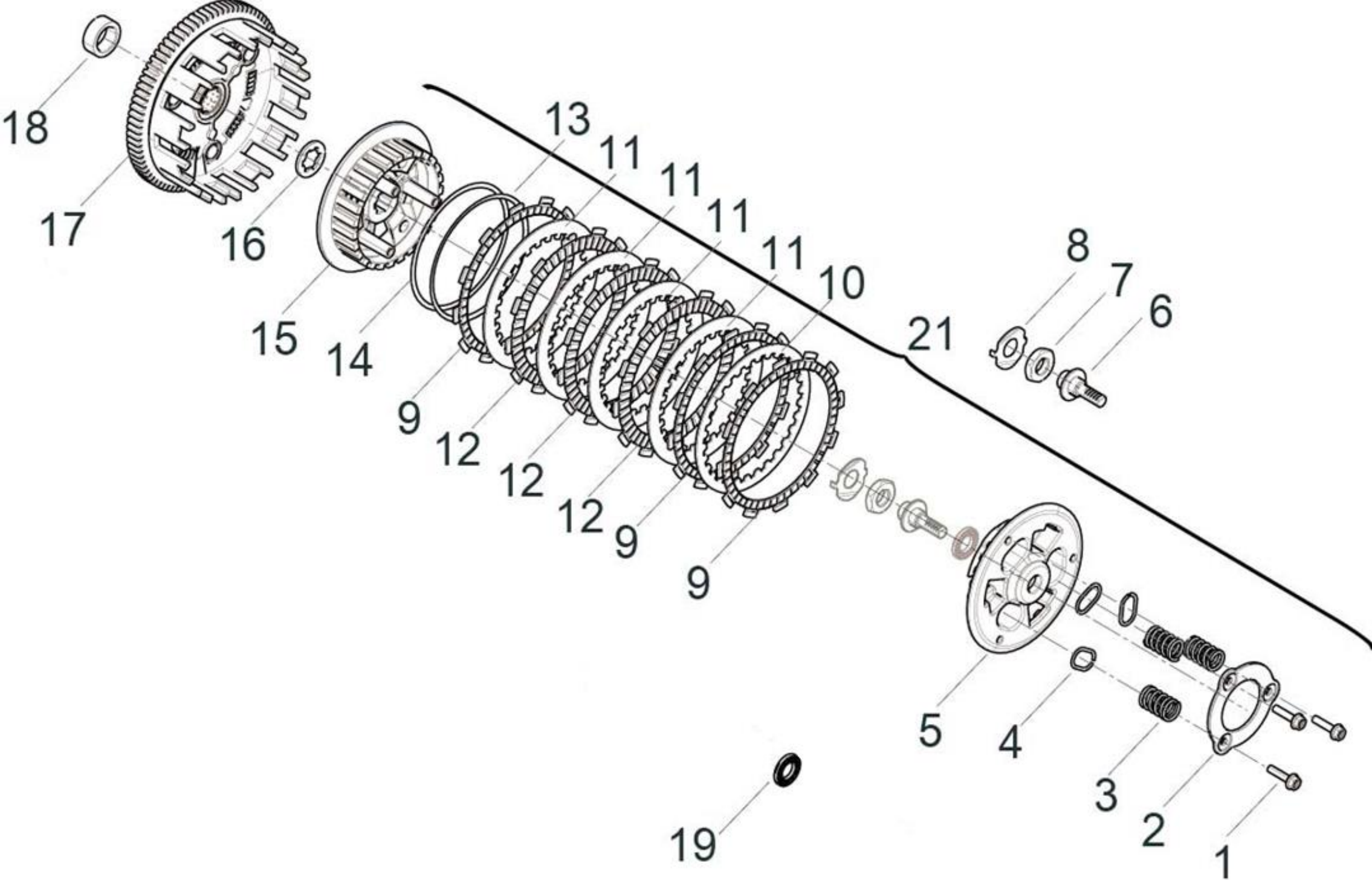
NO.	CODE	CN DESCRIPTION	EN DESCRIPTION	QTY	REMARKS
E08-01	27002305011X	六角法兰面螺母M12X1.25	NUT M12X1.25	1	
E08-02	170106030000	飞轮垫圈	FLY WHEEL GASKET	1	
E08-03	179025210000	曲轴连杆组件	CRANKSHAFT ASSY	1	
E08-04	170096220000	键	FLAT KEY	1	
E08-05	170016220000	主动齿轮	DRIVING GEAR	1	
E08-06	179236220000	平衡轴主动齿轮	BALANCE SHAFT DRIVING GEAR	1	
E08-07	170016110000	圆垫片	ROUND GASKET	1	
E08-08	170116030000	连杆轴瓦(黄)	BEARING,YELLOW	4	
E08-08	170116030010	连杆轴瓦(蓝)	BEARING,BLUE	4	
E08-08	170116030011	连杆轴瓦(绿)	BEARING,GREEN	4	
E08-09	170126220000	I 型六角螺母	NUT M18X1.5	1	
E08-10	170186220100	平衡轴螺母M14×1.5	NUT M14X1.5	1	
E08-11	170106220000	轴套	SLEEVE	1	
E08-12	179366220000	平衡轴从动齿轮	BALANCE SHAFT DRIVEN GEAR	1	
E08-13	210186030000	轴承挡圈	STEEL WIRE DUMPING RING	1	
E08-14	210136030020	深沟球轴承	ROLLER BEARING	1	
E08-15	B11130044014	平键	FLAT KEY	1	
E08-16	179255210000	平衡轴	BALANCE SHAFT	1	
E08-17	B12016030503	轴承	ROLLING BEARING	1	
E08-18	179155140000	活塞销挡圈	CIRCLIP PISTON PIN	4	
E08-19	179135210000	活塞	PISTON	2	
E08-20	179155210000	活塞环组合	PISTON RING COMPONENT	2	
E08-21	179145210000	活塞销	PIN,PISTON	2	
E08-22	179036030010	连杆组件	CONNECTING ROD ASSY.	2	

E09 离合器分总成 CLUTCH SYSTEM (for vin before ZBNP10119MBD69689)



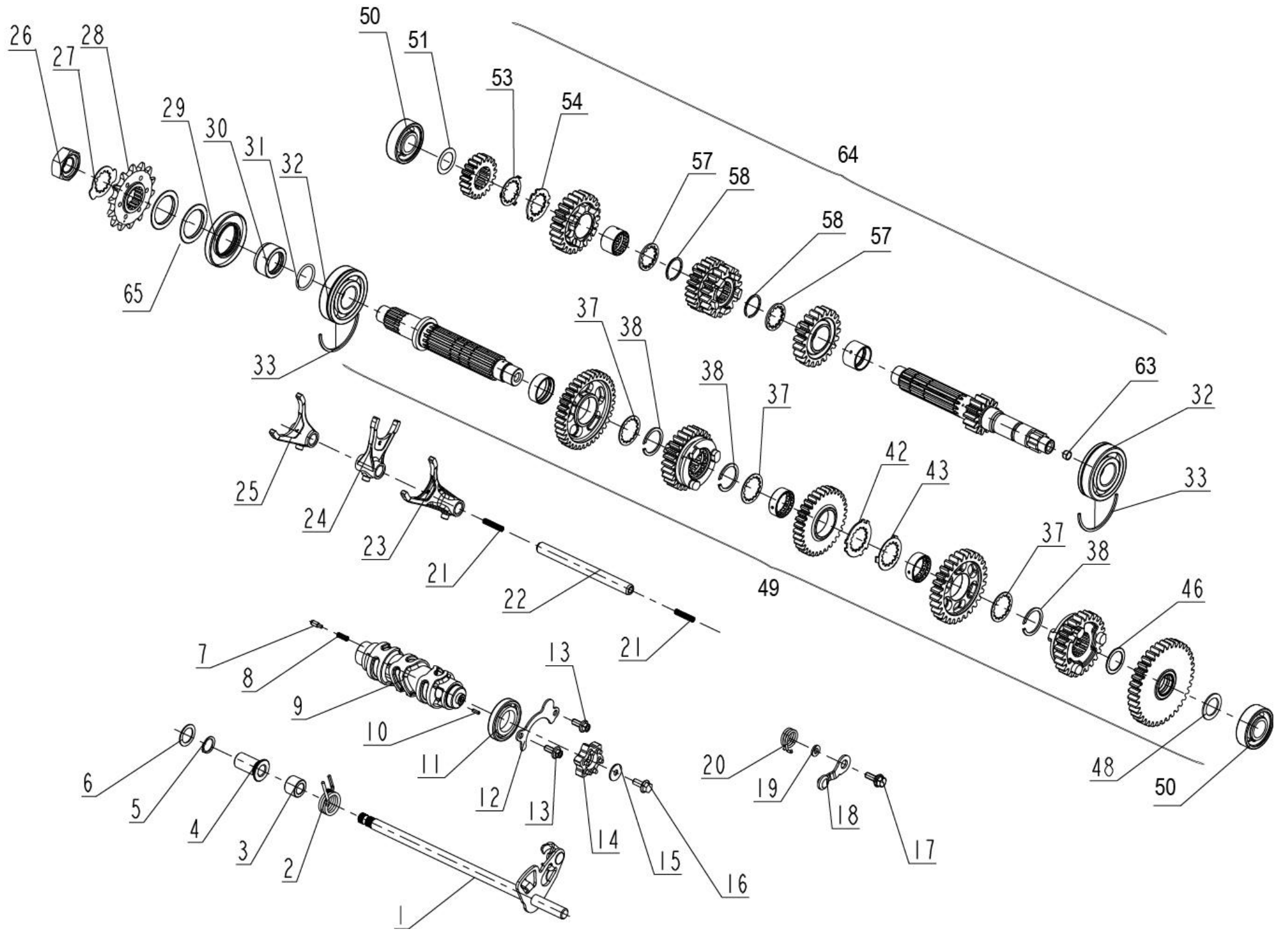
NO.	CODE	CN DESCRIPTION	EN DESCRIPTION	QTY	REMARKS
E09-01	200056220000	衬套	BUSH	1	for vin before ZBNP10119MBD69689
E09-02	200046220010	离合器主动毂组件	CLUTCH DRIVING HUB ASSY	1	for vin before ZBNP10119MBD69689
E09-03	200025040000	花键垫圈	WASHER, SPLINE	1	for vin before ZBNP10119MBD69689
E09-04	200065040000	止动垫片	STOP WASHER	1	for vin before ZBNP10119MBD69689
E09-05	200075040000	锁紧螺母	NUT	1	for vin before ZBNP10119MBD69689
E09-06	200123090030	平面滚针轴承(含推力垫圈)	FLAT NEEDLE ROLLER BEARINGS	1	for vin before ZBNP10119MBD69689
E09-07	209106220000	离合器齿条	CLUTCH RACK-WORK	1	for vin before ZBNP10119MBD69689
E09-08	209076220000	离合器从动毂组件	INNESTO INTERNO COMPLETO	1	for vin before ZBNP10119MBD69689
E09-09	200115040010	摩擦片	PLATE, DRIVE	5	for vin before ZBNP10119MBD69689
E09-10	200125040010	离合器片	PRESSURE PLATE	6	for vin before ZBNP10119MBD69689
E09-11	200235040000	离合器从动毂座	CLUTCH DRIVEN HUB SEAT	1	for vin before ZBNP10119MBD69689
E09-12	200116220000	离合器弹簧	SPRING	4	for vin before ZBNP10119MBD69689
E09-13	200055040000	螺栓组合件	BOLT	4	for vin before ZBNP10119MBD69689
E09-14	200026220010	离合器中枢组件	CLUTCH PIVOTAL COMP	1	for vin before ZBNP10119MBD69689
E09-15	209016220020	离合器组合	COMPONENTS OF THE CLUTCH	1	for vin before ZBNP10119MBD69689
E09-16	200325040000	摩擦片(1)	PLATE, DRIVE	1	for vin before ZBNP10119MBD69689
E09-17	200115040000	摩擦片	PLATE, DRIVE	1	for vin before ZBNP10119MBD69689
E09-18	200106220000	垫圈	WASHER	1	for vin before ZBNP10119MBD69689
E09-19	200096220000	蝶形弹簧	SPRING	1	for vin before ZBNP10119MBD69689

E09_1 离合器分总成 CLUTCH SYSTEM (SLIPPER CLUTCH) (start Vin ZBNP10119MBD69689)



NO.	CODE	CN DESCRIPTION	EN DESCRIPTION	QTY	REMARKS
E09_1-01	B0109060256H	螺栓M6x25	BOLT	3	start vin ZBNP10119MBD69689
E09_1-02	200146220030	弹簧压板	SPRING PRESSURE PLATE	1	start vin ZBNP10119MBD69689
E09_1-03	200116220030	离合器弹簧	SPRING	3	start vin ZBNP10119MBD69689
E09_1-04	200136220030	弹簧垫片	SPRING WASHER	3	start vin ZBNP10119MBD69689
E09_1-05	200236220030	离合器压盘	CLUTCH PRESSURE PLATE	1	start vin ZBNP10119MBD69689
E09_1-06	209106220000	离合器齿条	CLUTCH RACK-WORK	1	start vin ZBNP10119MBD69689
E09_1-07	200075040000	锁紧螺母	NUT	1	start vin ZBNP10119MBD69689
E09_1-08	200176220030	止动垫片	STOP WASHER	1	start vin ZBNP10119MBD69689
E09_1-09	200326220030	摩擦片 (I)	FRICTION PLATE (1)	3	start vin ZBNP10119MBD69689
E09_1-10	200126220030	离合器片 (2)	CLUTCH DISC (2)	1	start vin ZBNP10119MBD69689
E09_1-11	200125040000	离合器片	PRESSURE PLATE	4	start vin ZBNP10119MBD69689
E09_1-12	200115040010	摩擦片(II)	FRICTION PLATE (2)	3	start vin ZBNP10119MBD69689
E09_1-13	200096220000	蝶形弹簧	SPRING	1	start vin ZBNP10119MBD69689
E09_1-14	200103220010	垫圈	WASHER	1	start vin ZBNP10119MBD69689
E09_1-15	209076220030	离合器从动毂	INNESTO INTERNO	1	start vin ZBNP10119MBD69689
E09_1-16	200025040000	花键垫圈	WASHER, SPLINE	1	start vin ZBNP10119MBD69689
E09_1-17	200046220010	离合器主动毂组件	CLUTCH DRIVING HUB ASSY	1	start vin ZBNP10119MBD69689
E09_1-18	200056220000	衬套	BUSH	1	start vin ZBNP10119MBD69689
E09_1-19	200123090030	平面滚针轴承(含推力垫圈)	FLAT NEEDLE ROLLER BEARINGS	1	start vin ZBNP10119MBD69689
E09_1-21	200026220030	离合器中枢组件	CLUTCH DRIVEN ASSY	1	start vin ZBNP10119MBD69689

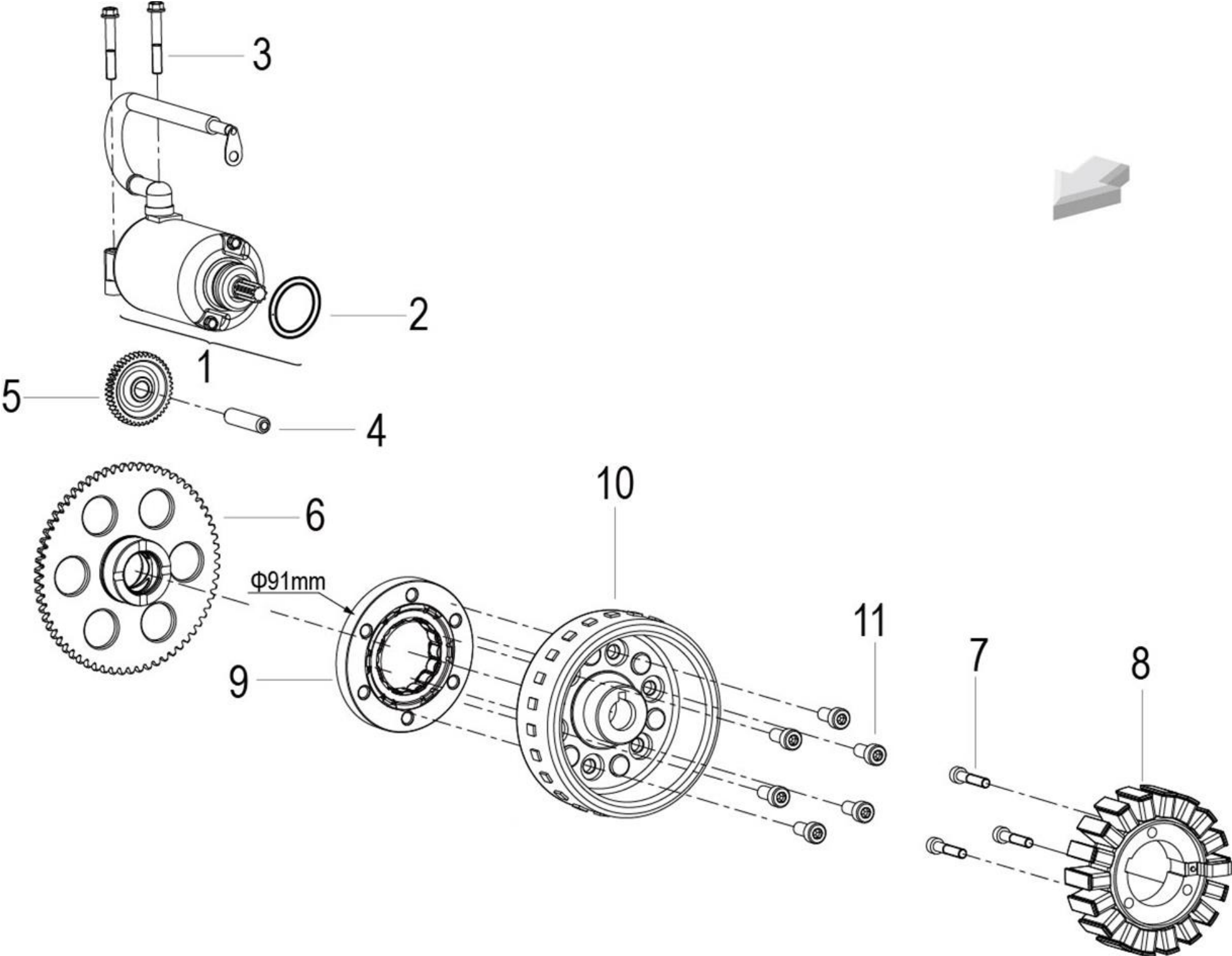
E10 变速换挡机构分总成 GEAR SHIFT MECHANISM ASSEMBLY



NO.	CODE	CN DESCRIPTION	EN DESCRIPTION	QTY	REMARKS
E10-01	219066220030	变档臂组件	SHAFT ASSY,GEAR SHIFT	1	
E10-02	210056030000	变档臂弹簧	SPRING,GEAR SHIFT	1	
E10-03	210046030000	变档臂轴套	AXLE SET,GEAR SHIFT	1	
E10-04	210396030000	止动臂轴套	AXLE SET	1	
E10-05	B08010001701	轴用弹性挡圈17	CIRCLIP 17	1	
E10-06	210406030000	垫圈	WASHER	1	
E10-07	210323090000	变档转换触头	ANTENNA	1	
E10-08	210313090000	触头弹簧	SPRING	1	
E10-09	219056030000	变档鼓	CAM,GEAR SHIFT	1	
E10-10	210356030000	定位销	PIN,DOWEL	1	
E10-11	B12016600501	轴承16005	BEARING 16005	1	
E10-12	210036030000	压板	PLATE	1	
E10-13	B0109060146H	螺栓M6×14	BOLT M6×14	2	
E10-14	210366030000	荆轮	PLATE,GEAR SHIFT CAM	1	
E10-15	210376030000	垫片	WASHER	1	
E10-16	B0107060156H	螺栓M6×15	BOLT M6×15	1	
E10-17	210303420000	变档定位滚轮臂轴	SHIFT STOPPER ARM AXLE	1	
E10-18	219046220000	摇臂组件	ROCKER ASSY	1	
E10-19	210343090000	垫圈6	WASHER 6	1	
E10-20	219016220000	摇臂弹簧	ROCKER ARM SPRING	1	
E10-21	210016030000	拨叉轴弹簧	SPRING,SHAFT,SHIFT FORK	2	
E10-22	219086030000	拨叉轴	SHAFT,SHIFT FORK	1	
E10-23	219126030000	右拨叉	FORK,GEAR SHIFT RH	1	
E10-24	219116030000	中拨叉	FORK,GEAR SHIFT CENTER	1	
E10-25	219106030000	左拨叉	FORK,GEAR SHIFT LH	1	
E10-26	210196030000	螺母M18×1.0	NUT M18×1.0	1	
E10-27	210306030000	内花键锁止垫圈	WASHER	1	
E10-28	219296030000	输出链轮组件	OUTPUT SPROCKET COMPONENTS	1	
E10-29	210216030010	油封35×62×8	OIL SEAL	1	
E10-30	210206030000	轴套25	AXLE SET Φ25	1	
E10-31	210316030000	O型圈25×2.5	O RING Φ25×Φ2.5	1	

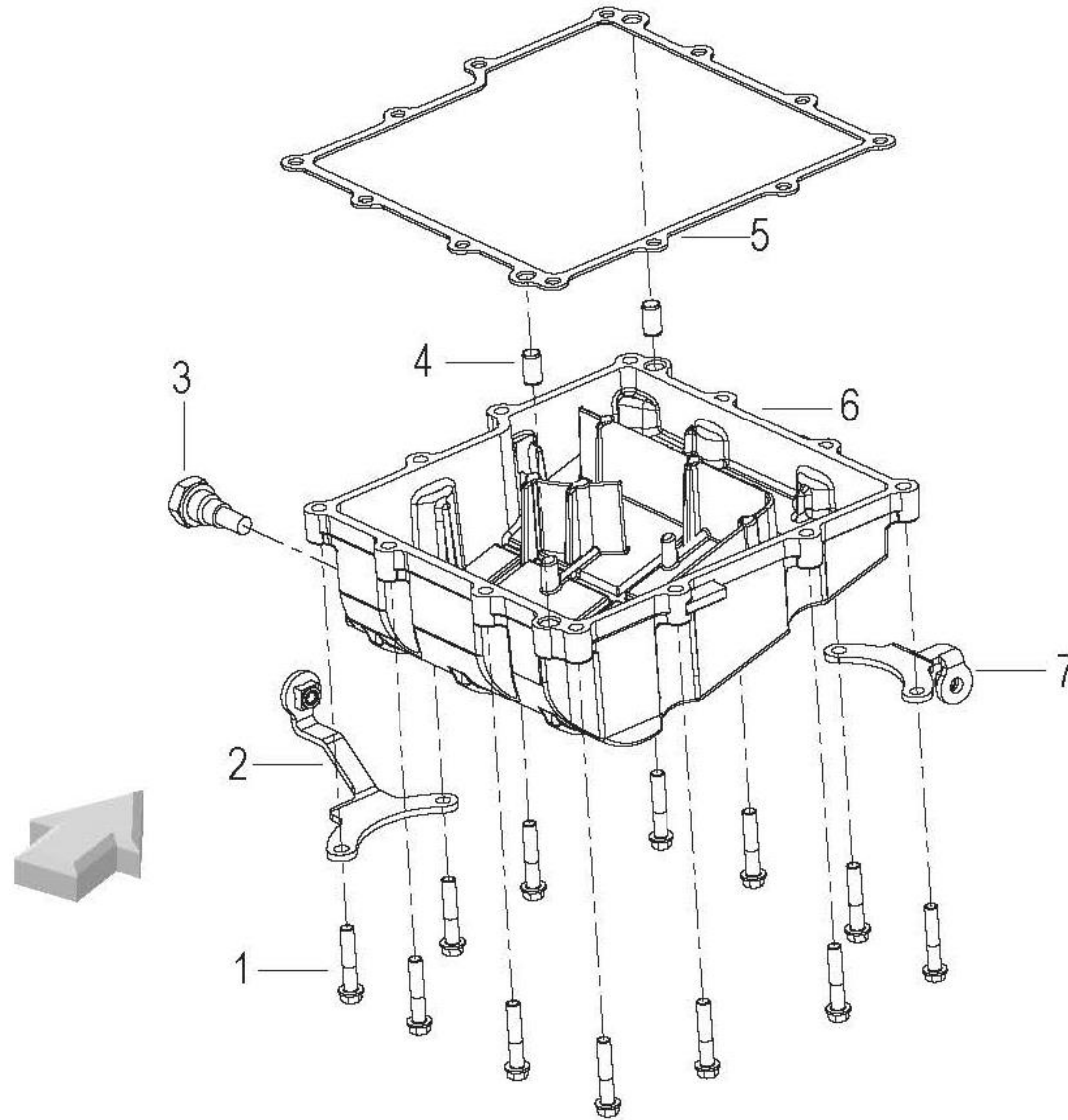
NO.	CODE	CN DESCRIPTION	EN DESCRIPTION	QTY	REMARKS
E10-32	210136030020	深沟球轴承	BEARING	2	
E10-33	210186030000	轴承挡圈	CIRCLIP, BEARING	2	
E10-37	210236030000	内花键垫圈	WASHER	3	
E10-38	210246030000	挡圈28	CIRCLIP Φ28	3	
E10-42	210266030000	内花键垫圈	WASHER	1	
E10-43	210276030000	内花键锁止垫圈	WASHER	1	
E10-46	210326030000	垫圈22×30×1	WASHER Φ22×Φ30×1	1	
E10-48	210296030000	垫圈20	WASHER Φ20	1	
E10-49	219216030001	副轴组件	DRIVER SHAFT ASSY	1	
E10-50	B12016020406	滚动轴承6204-Z	BEARING 6204-Z	2	
E10-51	210566030010	垫片Φ30XΦ20.3X0.4	WASHER Φ30XΦ20.3X0.4	1	
E10-53	210066030000	内花键锁止垫圈	WASHER	1	
E10-54	210076030000	内花键垫圈	WASHER	1	
E10-57	210096030000	内花键垫圈	WASHER	2	
E10-58	210106060000	弹性环24	CIRCLIP Φ24	3	
E10-63	210375040000	主轴轴堵	BOWLED GASKET	1	
E10-64	219135210000	主轴组件	COUNTER SHAFT ASSY	1	
E10-65	B07840002500	垫片25X35X0.5	WASHER 25X35X0.5	2	

E11 电启动分总成 ELECTRIC STARTER ASSY



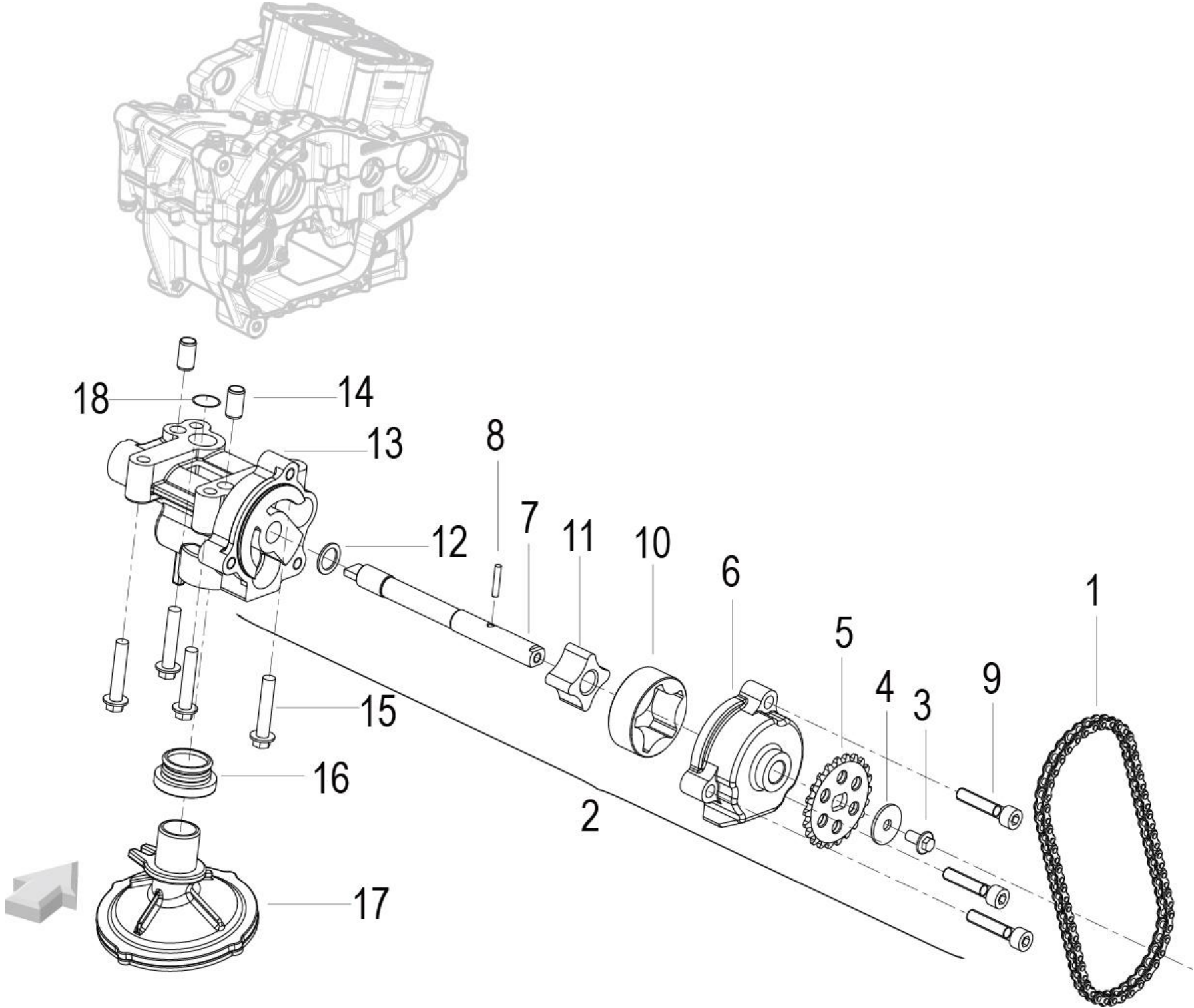
NO.	CODE	CN DESCRIPTION	EN DESCRIPTION	QTY	REMARKS
E11-01	249016030000	启动电机组件	MOTOR ASSY,STARTING	1	
E11-02	240013060000	O形密封圈24×3.1	O RING Φ24×Φ3.1	1	
E11-03	150316030150	螺栓M6X40	BOLT M6X40	2	
E11-04	16020307001X	电启动齿轮轴	SHAFT, STARTER IDLER GEAR,size:φ10×45	1	
E11-05	249046030000	电启动惰轮	GEAR,STARTER IDLER	1	
E11-06	249016220000	起动手齿组件	BIG GEAR COMP,STARTING	1	
E11-07	B0205060326H	内六角圆柱头螺钉M6×32	SCREW M6×32	3	
E11-08	299036280030	定子组件	COIL ASSY	1	
E11-09	249106280000	超越离合器组件	COMPLETE STARTER CLUTCH,outer diameter:Φ91mm	1	
E11-10	299026280010	飞轮组合	FLY WHEEL,inner diameter:Φ91mm	1	
E11-11	B0207080168H	螺钉M8×16	SCREW M8×16	6	

E12 油底壳分总成 OIL PAN ASSY



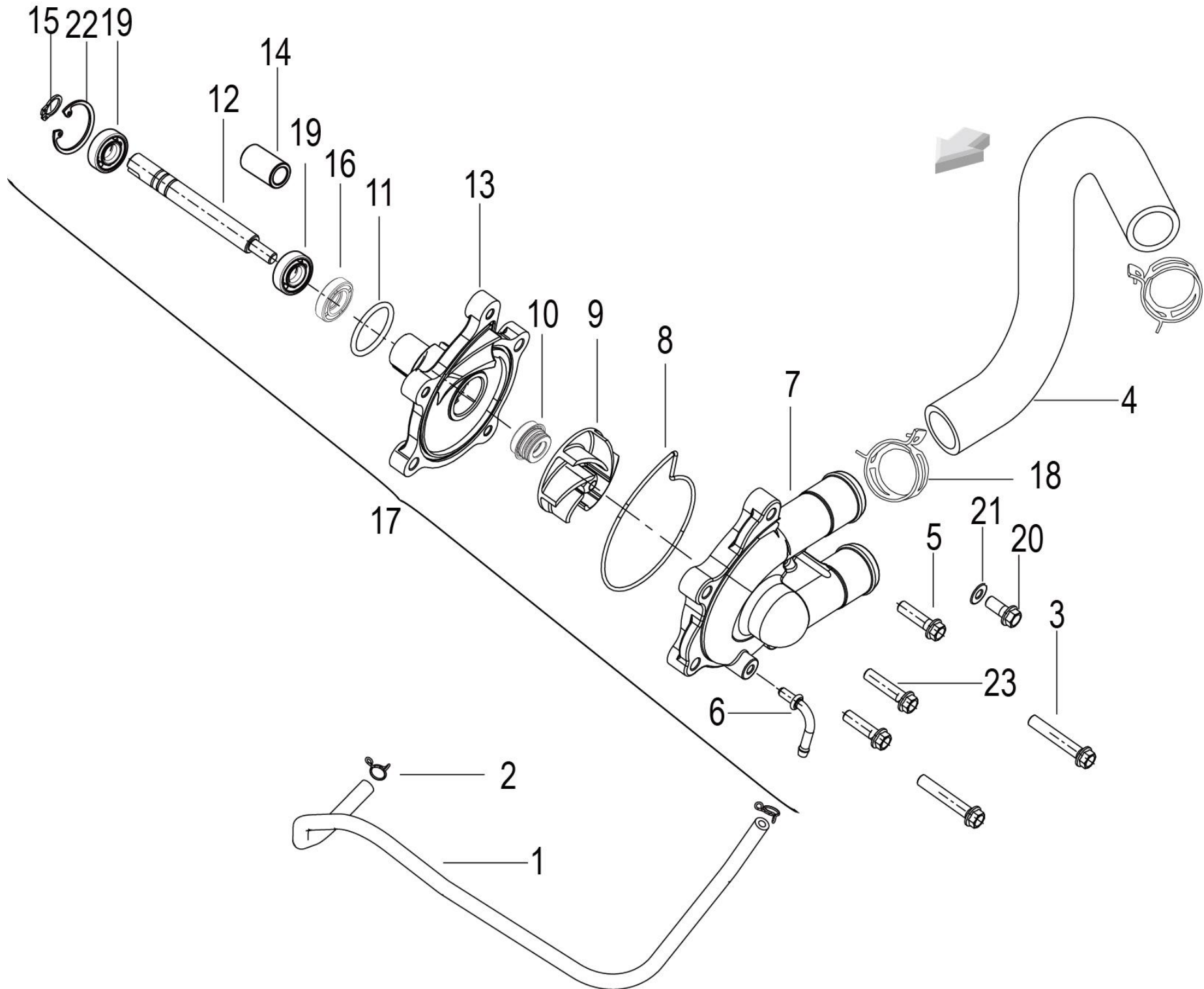
NO.	CODE	CN DESCRIPTION	EN DESCRIPTION	QTY	REMARKS
E12-01	160106030130	螺栓M6X30	BOLT M6X30	12	
E12-02	260056220000	左底罩支架组件	BRACKET ASSY LEFT BOTTOM INDICATORCOMBINED	1	
E12-03	260346030010	磁性螺栓组件M14×1	MAGNETISM BOLT M14×1	1	
E12-04	160073070000	定位销6.7 X 8 X 14	DOWEL PIN 6.7 X 8 X 14	2	
E12-05	260036220000	油底壳垫片	SUMP SHIM	1	
E12-06	260016220010	油底壳盖	SUMP COVER	1	
E12-07	260076220000	底罩支架组件	BRACKET ASSY BOTTOM	1	

E13 润滑系统分总成 LUBRICATE SYSTEM



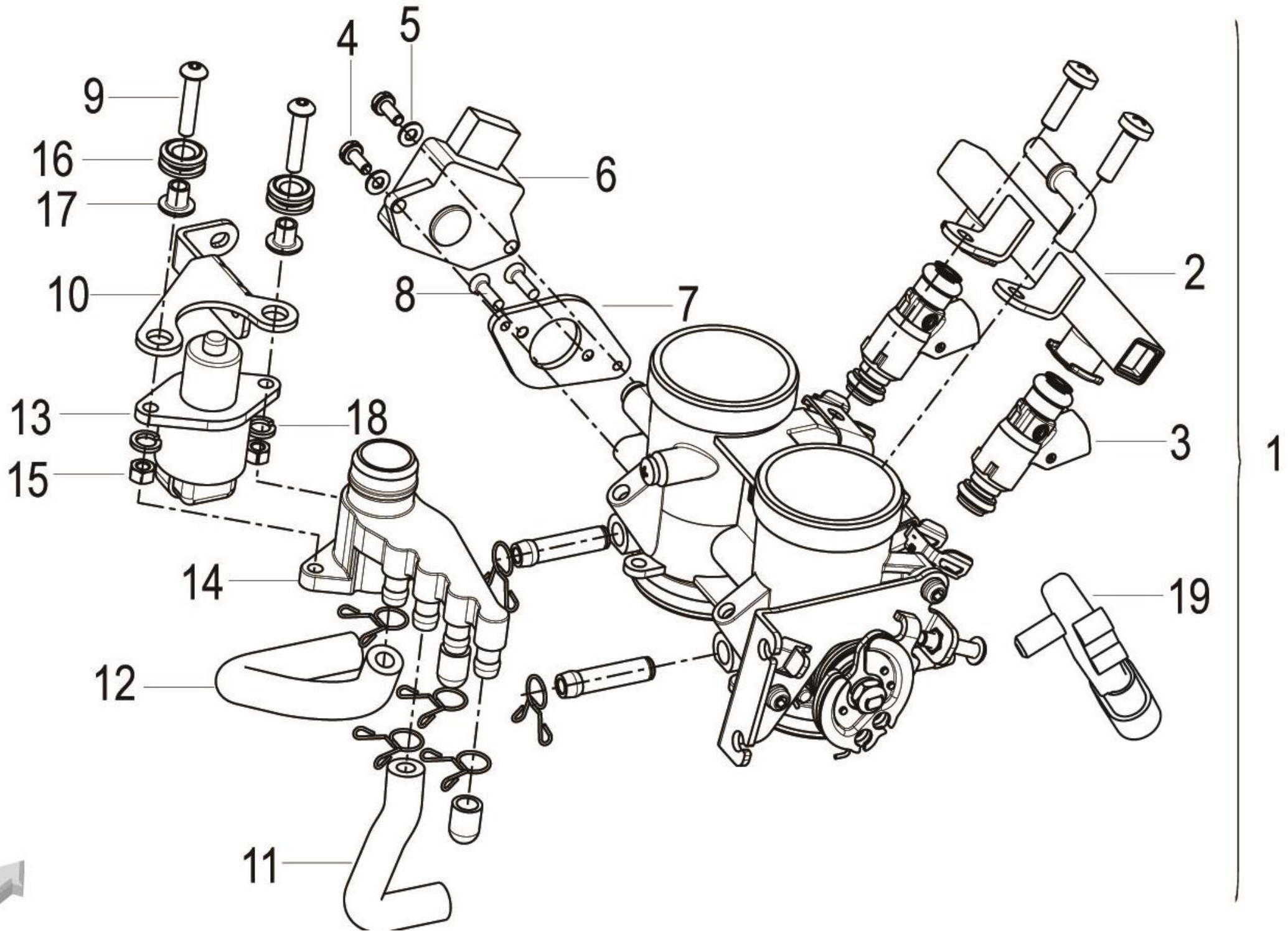
NO.	CODE	CN DESCRIPTION	EN DESCRIPTION	QTY	REMARKS
E13-01	269056030000	机油泵链条	CHAIN OIL PUMP	1	
E13-02	269016220010	机油泵组件	OIL PUMP ASSY.	1	
E13-03	B13010501004	螺钉M5X10	ASSEMBLED BOLT M5×10	1	
E13-04	260106030000	垫圈5×20×1.5	WASHER 5×20×1.5	1	
E13-05	269066220000	机油泵链轮	OIL PUMP DIRVING GEAR	1	
E13-06	269016220000	机油泵盖	OIL PUMP COVER	1	
E13-07	269036220000	机油泵轴	OIL PUMP SHAFT	1	
E13-08	260096030000	链轮传动销	TRANSMISSION PIN	1	
E13-09	B01070603064	螺栓M6×30	BOLT M6×30	3	
E13-10	269056220000	外转子	OIL PUMP EXTERNAL ROTOR	1	
E13-11	269046220000	内转子	OIL PUMP INNER ROTOR	1	
E13-12	260086030000	垫圈11×15×1	WASHER 11×15×1	1	
E13-13	269026220000	机油泵体	OIL PUMP BODY	1	
E13-14	160073070000	定位销	PIN,DOWEL	2	
E13-15	B0107060326H	六角法兰面螺栓M6x32	BOLT M6X32	4	
E13-16	260036030000	机油集滤器套	OIL COLLECTER SHELL	1	
E13-17	269086220000	机油集滤器组件	OIL COLLECTER	1	
E13-18	140023050000	O型圈15.2×1.5	O RING 15.2×1.5	1	

E14 冷却系统分总成 COOLING SYSTEM



NO.	CODE	CN DESCRIPTION	EN DESCRIPTION	QTY	REMARKS
E14-01	279116220000	排气管	EXHAUST PIPE	1	
E14-02	49806N050000	夹子Φ7	CLIP Φ7	2	
E14-03	270016220110	螺栓 M6x35	BOLT M6X35	2	
E14-04	279106220000	出水管	INTAKE PIPE	1	
E14-05	B0107060256H	螺栓 M6x25	BOLT M6X25	3	
E14-06	270076220000	管子	SEAMLESS STEEL PIPE	1	
E14-07	279336220000	水泵盖	PUMP COVER	1	
E14-08	279026220000	水泵密封圈	PUMP RING	1	
E14-09	279216220030	叶轮	IMPELLER	1	
E14-10	270216030000	EKK水封组件	EKK SEAL ASSY	1	
E14-11	B190100335B0	O型圈33.5x2.65	O-RING 33.5x2.65	1	
E14-12	279226220030	水泵轴	PUMP SHAFT	1	
E14-13	27931622003X	水泵体	PUMP PART	1	
E14-14	270166030030	水泵衬套	BUSH	1	
E14-15	B08010001201	轴用弹性挡圈12	CIRCLIP 12	2	
E14-16	270153160000	油封12x24x5	OIL SEAL 12x24x5	1	
E14-17	279256220030	水泵组件	PUMP-ASSEMBLY	1	
E14-18	06103P160100	水管板式卡箍Φ32(黑色)	CLAMP 32,BLACK	2	
E14-19	B12016000100	轴承6000	BEARING	2	
E14-20	B01070601263	螺栓M6x12	BOLT M6x12	1	
E14-21	270345050000	垫圈	WASHER	1	
E14-22	B08000002801	孔用弹性挡圈φ28	CIRCLIP φ28	1	
E14-23	B0107060306H	螺栓M6x30	BOLT M6X30	1	

E15 节流阀体分总成 THROTTLE ASSY



NO.	CODE	CN DESCRIPTION	EN DESCRIPTION	QTY	REMARKS
E15-01	289005210020	节流阀体分总成	THROTTLE ASSY	1	
E15-02	280026220000	油轨	OIL ROAD	1	
E15-03	289035210000	喷油器	OIL INSUFFLATING IMPLEMENT	2	
E15-04	B13080401029	组合件	SCREW M4×10	2	
E15-05	65705S010000	垫圈4.3×9×0.8	GASKET	2	
E15-06	280756030000	节气门位置传感器	THROTTLE LOCATION SENSOR	1	
E15-07	280116130000	TPS安装支架	FIXING BOARD	1	
E15-08	B02010401225	沉头螺钉	SCREW M4X12	2	
E15-09	B02000502529	螺栓M5×25	SCREW M5X25	2	
E15-10	280396030000	安装支架 I	MOUNTING BRACKET I	1	
E15-11	280616030000	定时系统软管2	TIMING SYSTEM HOSES II	1	
E15-12	280606030000	定时系统软管1	TIMING SYSTEM HOSES I	1	
E15-13	280476030000	步进电机	STEPPER MOTOR	1	
E15-14	280646030000	定时系统组件	TIMING SYSTEM COMPONENTS	1	
E15-15	B04000500054	螺母	NUT	2	
E15-16	57039S010000	橡胶衬套	RUBBER CUSHION	2	
E15-17	49004S010000	T型衬套H7.5d5.2D7.2	BUSH T D5.2 D7.2	2	
E15-18	B07000000503	Φ5弹性垫圈	SPRING WASHER	2	
E15-19	280106220000	进气压力传感器	INTAKE PRESSURE SENSOR	1	