



S.P.Catalog_TRK502

COLOR CODE	WHITE WF	RED TL	DARK GREY JH
PICTURE			

JCK(Q60-00)-BJ500GS-A(公路款、ABS、欧IV)-1A

C2628004HT00

WF,TL,JH

JCK(Q17-108)-BJ500GS-A (公路款、ABS、欧IV) -1A

C2628005HT00

WF,TL,JH

JCK(Q19-01)-BJ500GS-A (公路款、ABS、欧IV) -1A散件

C2628006HT00

WF,TL,JH

JCK(Q18-61)-BJ500GS-A (公路款、ABS、欧IV) -1A

C2628005HT00

WF,TL,JH

JCK(Q18-104)-BJ500GS-A (公路款、ABS、欧IV) -1A

C2628004HT00

WF,TL,JH

JCK(Q19-12)-BJ500GS-A (公路款、ABS、欧IV) -1A散件

C2628005HT00

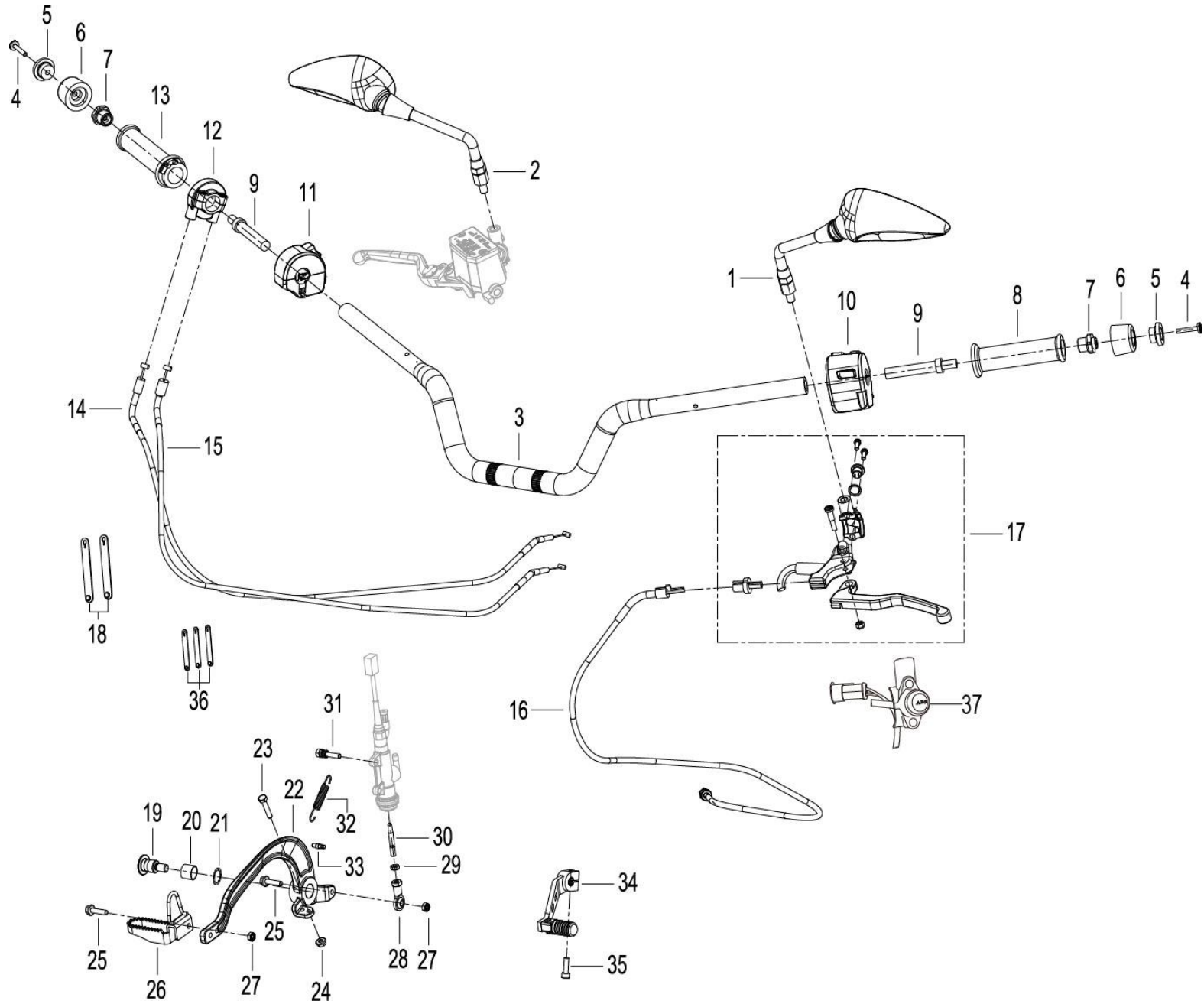
WF,TL,JH

JCK(Q17-91)-BJ500GS-A (公路款、ABS非欧规) -1A散件

C2628005HT00

WF,TL,JH

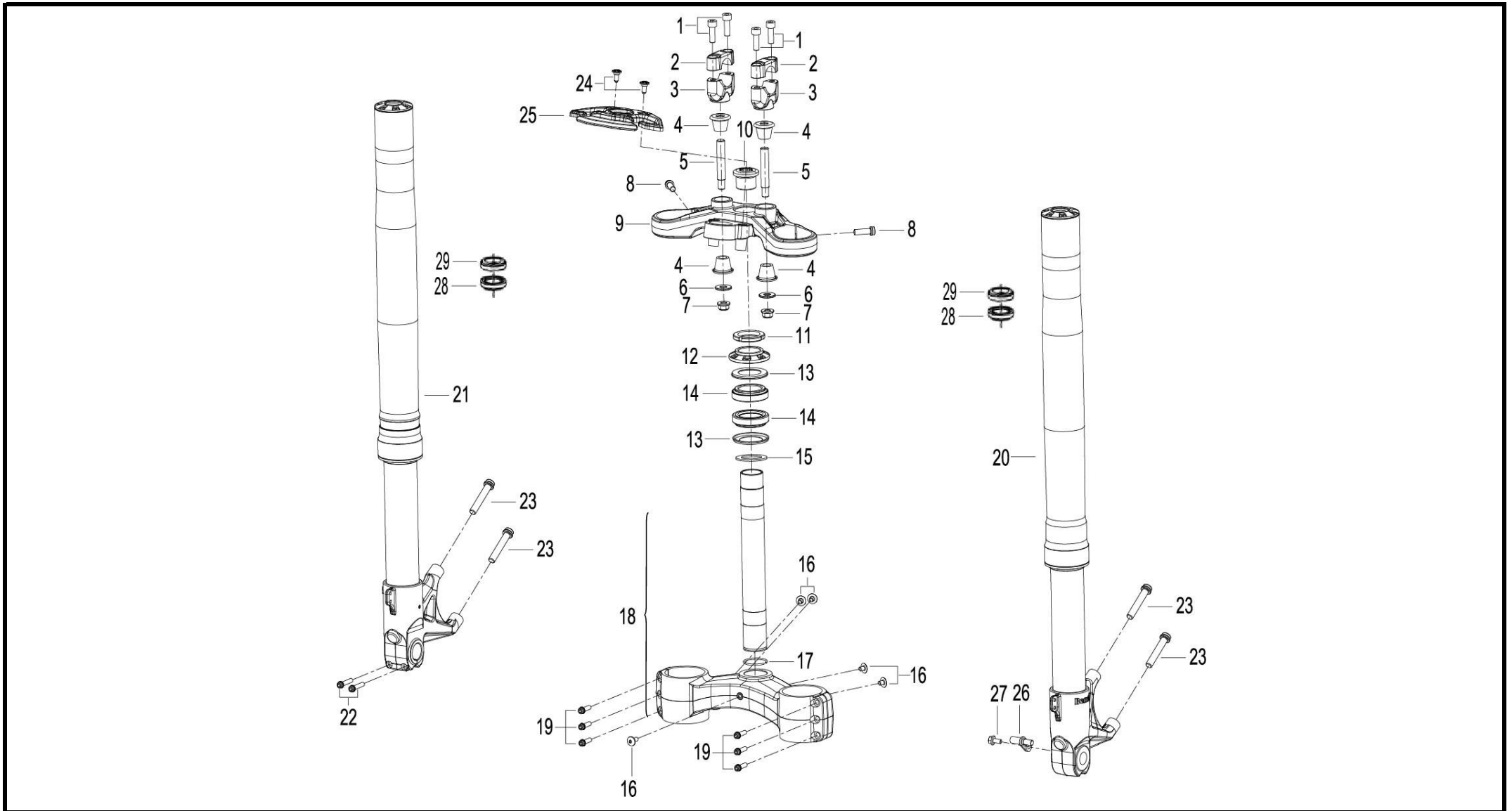
F01 操纵 CONTROL ASSY.



NO.	Position No.	CODE	EN DESCRIPTION	Qty/Unit	Remarks
1	F01	40460P250100	LEFT VIEW MIRROR ASSY	1	
2	F01	40470P250100	REAR VIEW MIRROR ASSY	1	
3	F01	40101P260100	HANDLEBAR ASSY	1	
4	F01	B0284060400A	SCREW M6x40	2	
5	F01	40032P160000	GRIP END PRESSURE BLOCK	2	
6	F01	40031P160000	GRIP END	2	
7	F01	40032P250000	GRIP END MOUNTING SEAT	2	
8	F01	40001P250001	LEFT HANDLEBAR GRIP	1	
9	F01	40031S010000	GRIP END	2	
10	F01	40500P160003	LEFT HANDLEBAR SWITCH,AHO	1	automatic headlamp on
11	F01	40600P160003	RIGHT HANDLEBAR SWITCH,AHO	1	automatic headlamp on
12	F01	40320P250001	THROTTLE CABLE HOUSING ASSY	1	
13	F01	40210P250002	RIGHT HANDLEBAR GRIP	1	
14	F01	40300P160000	THROTTLE CABLE ASSY I	1	
15	F01	40330P160000	THROTTLE CABLE ASSY II	1	
16	F01	40400P160000	CLUTCH CABLE ASSY	1	
17	F01	40080S01003Z	CLUTCH LEVER ASSY	1	
18	F01	40023P250000	RUBBER CLIP	2	
19	F01	40706P250001	SCREW	1	
20	F01	58511S010000	SELF-LUBRICATING BUSHINGS	1	
21	F01	58216S010000	WASHER	1	
22	F01	40712P160001	BRAKE PEDAL ASSY	1	
23	F01	B01010603522	BOLT M6x35	1	Alt: B0101060352H
24	F01	B0407060005H	NUT M6	1	
25	F01	B01820602562	BOLT M6x25-8.8-ZG	2	
26	F01	40720V300100	MOUNTING BRACKET	1	
27	F01	B04810600052	NUT M6x1	2	

NO.	Position No.	CODE	EN DESCRIPTION	Qty/Unit	Remarks
28	F01	40283S010000	BRAKE PEDAL JOINT M6	1	
29	F01	B04800600052	NUT M6-8-ZG	1	
30	F01	55061P120000	BRAKE PUSH ROD	1	
31	F01	08013P160000	BOLT M6x22	1	
32	F01	40702P160000	REAR BRAKE RETURN SPRING	1	
33	F01	40273P250000	UPPER SPRING DOWEL	1	
34	F01	08370P160001	SHIFT PEDAL ASSY	1	
35	F01	B02810602562	SCREW M6x25-8.8-ZG	1	
36	F01	49371T620000	RUBBER BAND	3	
37	F01	91190P260000	ABS SWITCH	1	
38	F01	58216S010000	WASHER	1	
39	F01	B0702000060H	WASHER 6	1	

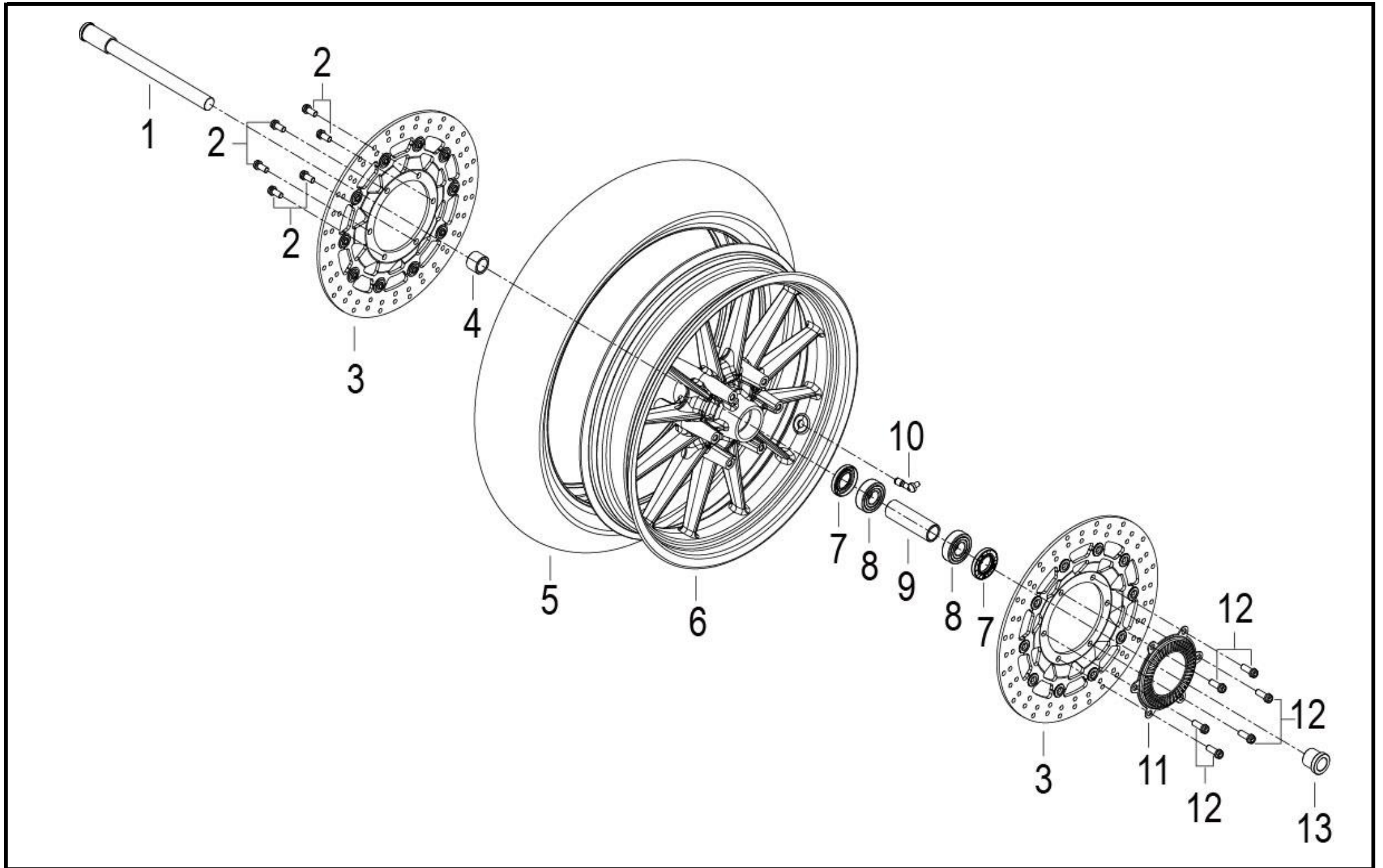
F02 前减震器组件 FRONT SHOCK ABSORBER ASSY.



NO.	Position No.	CODE	EN DESCRIPTION	Qty/Unit	Remarks
1	F02	B0205080256L	SCREW M8×25	4	
2	F02	43013P010000	UPPER HANDLEBAR HOLDER	2	

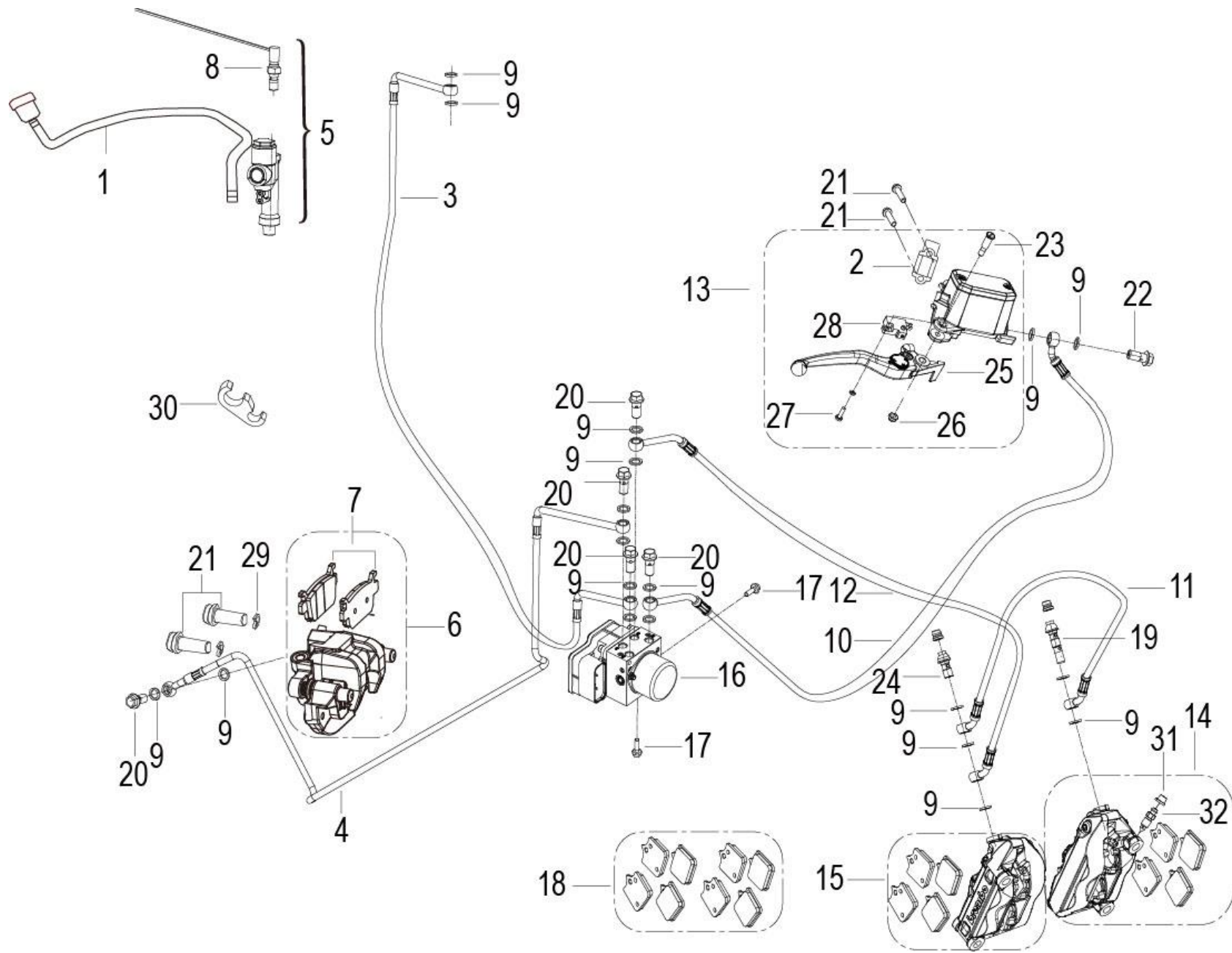
NO.	Position No.	CODE	EN DESCRIPTION	Qty/Unit	Remarks
3	F02	43014P010000	LOWER HANDLEBAR HOLDER	2	
4	F02	47015P010010	DAMPER	4	
5	F02	40086P010000	HANDLEBAR STUD	2	ALT: 40086P010002+08021P250000
6	F02	40089P010000	HANDLEBAR DOWEL WASHER	2	Alt: 40089P010100
7	F02	B04821012552	SELF-LOCKING NUT M10×1.25	2	
8	F02	B02810802562	BOLT M8×1.25×25	2	
9	F02	43011P160000	UPPER BRACKET	1	
10	F02	43049P250000	UPPER BRACKET PINCH BOLT	1	
11	F02	43008S010010	STEERING STEM HEAD NUT	1	
12	F02	43009P260000	STEERING STEM NUT	1	
13	F02	43005S010000	DUST SEAL	2	
14	F02	43130S010000	STEER BEARING	2	
16	F02	B02830600862	BOLT M6×8	5	
17	F02	43103S010000	LOCKING RING	1	
18	F02	43100P160000	LOWER BRACKET ASSY	1	
19	F02	B02810602062	BOLT M6×1×20	6	
20	F02	43200P160000	FRONT LEFT SHOCK ABSORBER ASSY.	1	
21	F02	43300P160000	FRONT RIGHT SHOCK ABSORBER ASSY.	1	
22	F02	B02810603062	BOLT M6×30	2	
23	F02	08029P250000	BOLT M10×1.25×57	4	
24	F02	B01090602065	SCREW M6×20	2	
25	F02	43012P160000	UPPER BRACKET DECORATE COVER	1	
26	F02	45710P250000	FRONT WHEEL ROTATION SENSOR	1	
27	F02	B01820601662	BOLT M6×16	1	
28	F02	43260P250000	OIL SEAL	2	
29	F02	43290P250000	DUST SEAL,MARK:NOK	2	

F03 前轮 FRONT WHEEL ASSY.



NO.	Position No.	CODE	EN DESCRIPTION	Qty/Unit	Remarks
1	F03	44004P160100	FRONT WHEEL AXLE	1	
2	F03	B02810801662	BOLT M8x16	6	
3	F03	45030P160000	FRONT BRAKE DISC	2	
4	F03	44016P100000	FRONT WHEEL RIGHT COLLAR	1	Alt: 44016P100100
5	F03	B140507D1700	TIRE 120/70 ZR17	1	
6	F03	44101P10HT00	FRONT RIM ASSY	1	
7	F03	60200J000001	DUST SEAL ASSY	2	
8	F03	B12016020400	BALL BEARING 6204-2RS	2	
9	F03	44006P100000	FRONT WHEEL MIDDLE SHAFT SLEEVE	1	Alt: 44006P100000
10	F03	B1403Z201100	AIR VALVE/RIM VALVE	1	
11	F03	45702P160000	ABS GEAR RING,FRONT WHEEL	1	
12	F03	B02810802062	BOLT M8x1.25x20	6	
13	F03	44005P160000	FRONT WHEEL LEFT COLLAR	1	Alt: 44005P160100

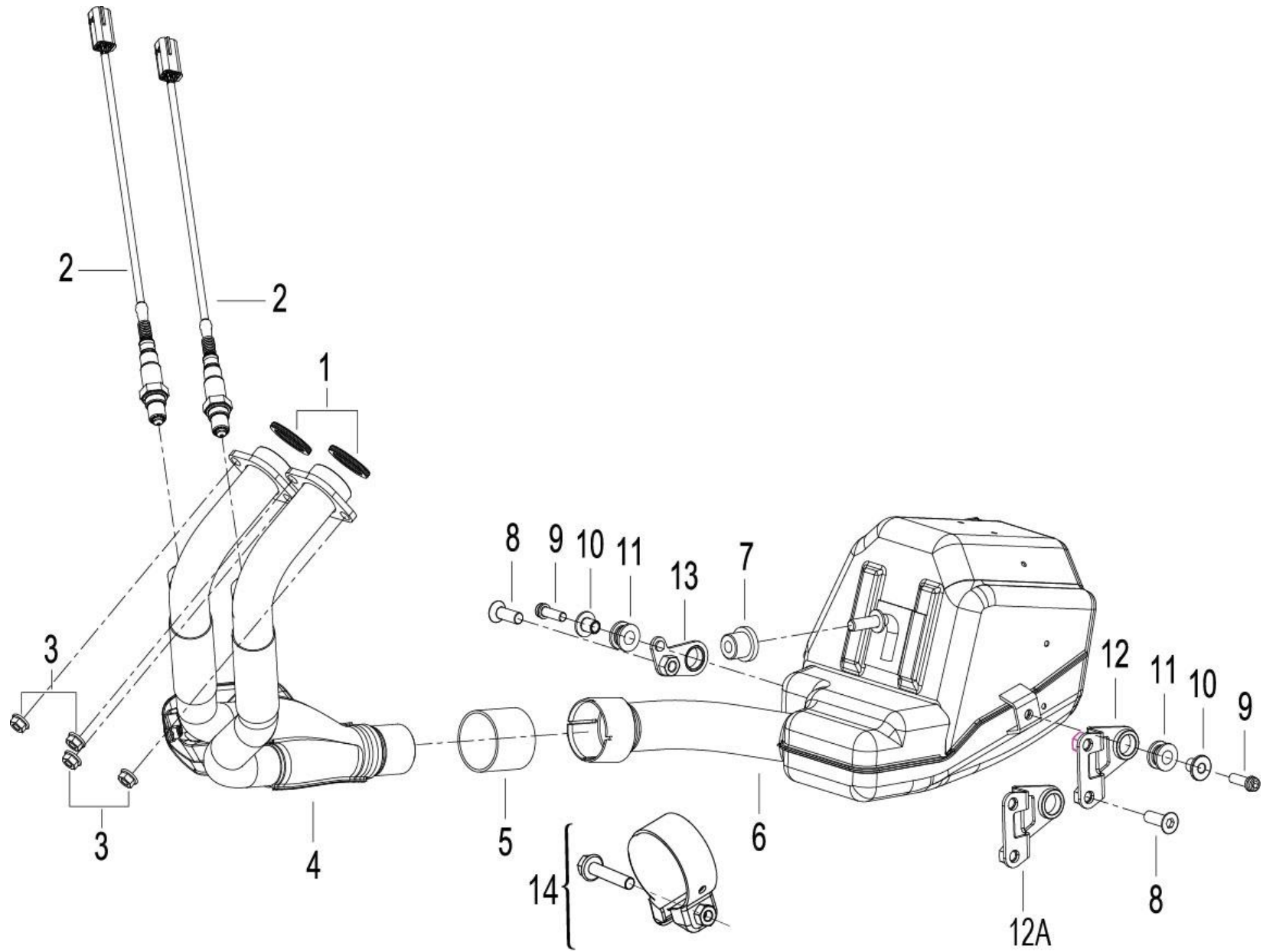
F04 前后液刹 FRONT&REAR DISK BRAKE ASSY.



NO.	Position No.	CODE	EN DESCRIPTION	Qty/Unit	Remarks
1	F04	55140P260000	OIL CUP ASSY.	1	
2	F04	45023P250010	FRONT BRAKE MASTER CYLINDER HOLDER	1	
3	F04	55240P160000	REAR DISC BRAKE HOSE ASSY.I	1	
4	F04	55270P160000	REAR DISC BRAKE HOSE ASSY.II	1	
5	F04	55400P160000	BRAKE FLUID RESERVOIR	1	
6	F04	55500P10001Z	REAR BRAKE CALIPER	1	ALT: 55500P160000
7	F04	55110P100001	BRAKE PAD ASSY,REAR (2PCS/SET)	1	
8	F04	55300P160000	REAR BRAKING SWITCH	1	
9	F04	45078P300000	WASHER	19	
10	F04	45240P160002	FRONT DISC BRAKE HOSE ASSY.I	1	
11	F04	45250P160000	FRONT DISC BRAKE HOSE ASSY.III	1	
12	F04	45270P160000	FRONT DISC BRAKE HOSE ASSY.III	1	NO ALTERNATIVE
13	F04	45400P250012	FRONT DISC BRAKE MASTER CYLINDER	1	
14	F04	45500P160000	HYDROCHECK ASSY.LEFT,SILVER WHITE	1	
15	F04	45600P160000	HYDROCHECK ASSY.RIGHT,SILVER WHITE	1	
16	F04	45700P250000	ABS	1	
17	F04	B01090601264	BOLT M6x12	2	
18	F04	45120S010011	FRONT BRAKE PAD ASSY	1set	
19	F04	45037P150000	BRAKE HOSE BANJO BOLT	1	
20	F04	55037P300000	BRAKE HOSE BANJO BOLT	5	
21	F04	B02810802562	BOLT M8x1.25x25	2	
22	F04	45037J000000	SCREW	1	
23	F04	45024P300000	BOLT	1	
24	F04	45037P300000	BRAKE HOSE BANJO BOLT	1	
25	F04	45020P300000	FRONT BRAKE LEVER	1	
26	F04	B04170600055	NUT M6	1	
27	F04	B02040401225	SCREW M4x12	1	

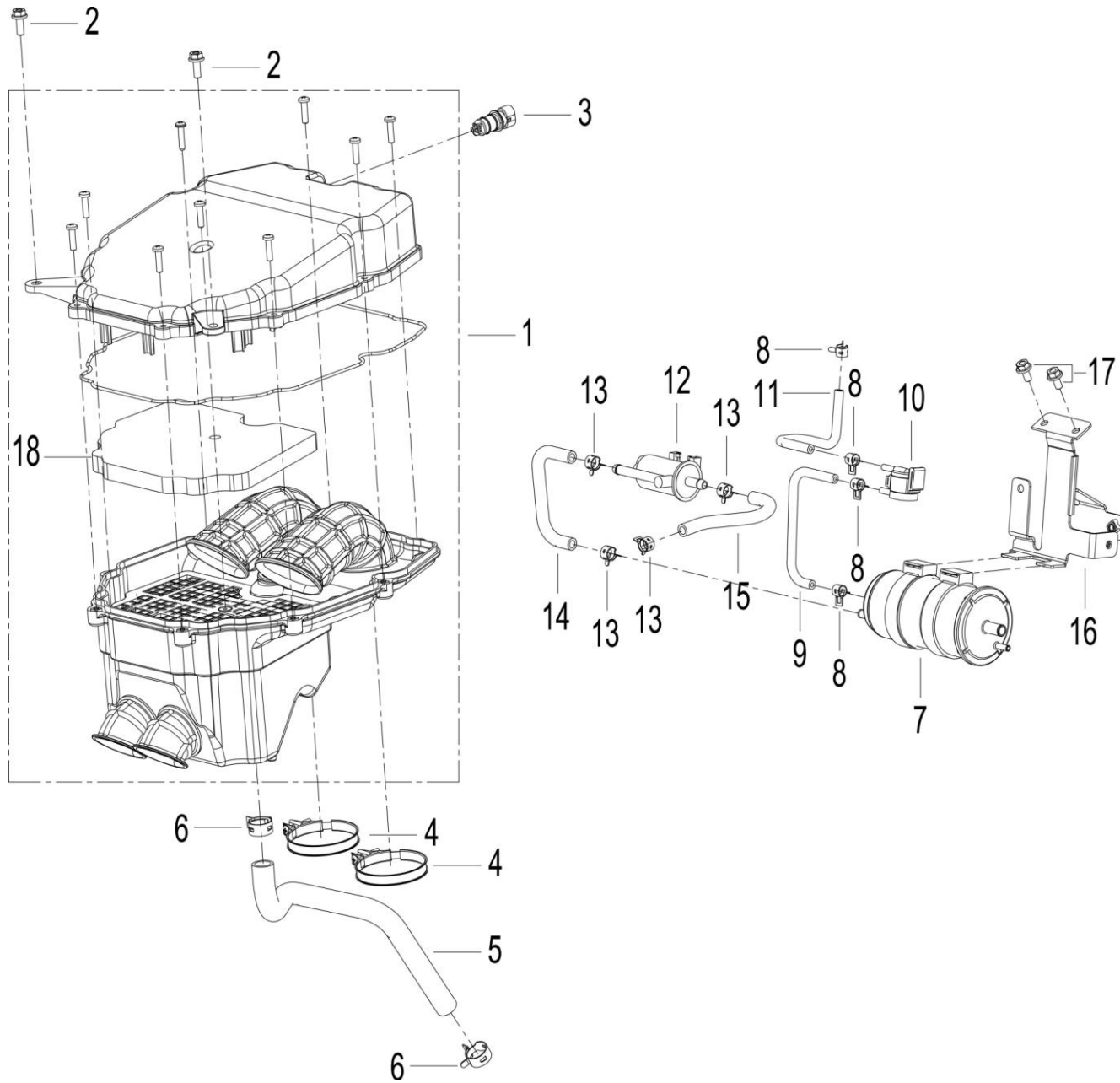
NO.	Position No.	CODE	EN DESCRIPTION	Qty/Unit	Remarks
28	F04	45300J000010	FRONT BRAKE SWITCH	1	
29	F04	B07000000802	SPRING WASHER 8	2	Alt: B0700000080H
30	F04	45044P160000	CLIP	5	
31	F04	45021B510000	COVER,ANTI-DUST, DEFLATING VALVE	2	
32	F04	45019N100000	DEFLATING VALVE	2	

F05 消声器 MUFFLER ASSY.



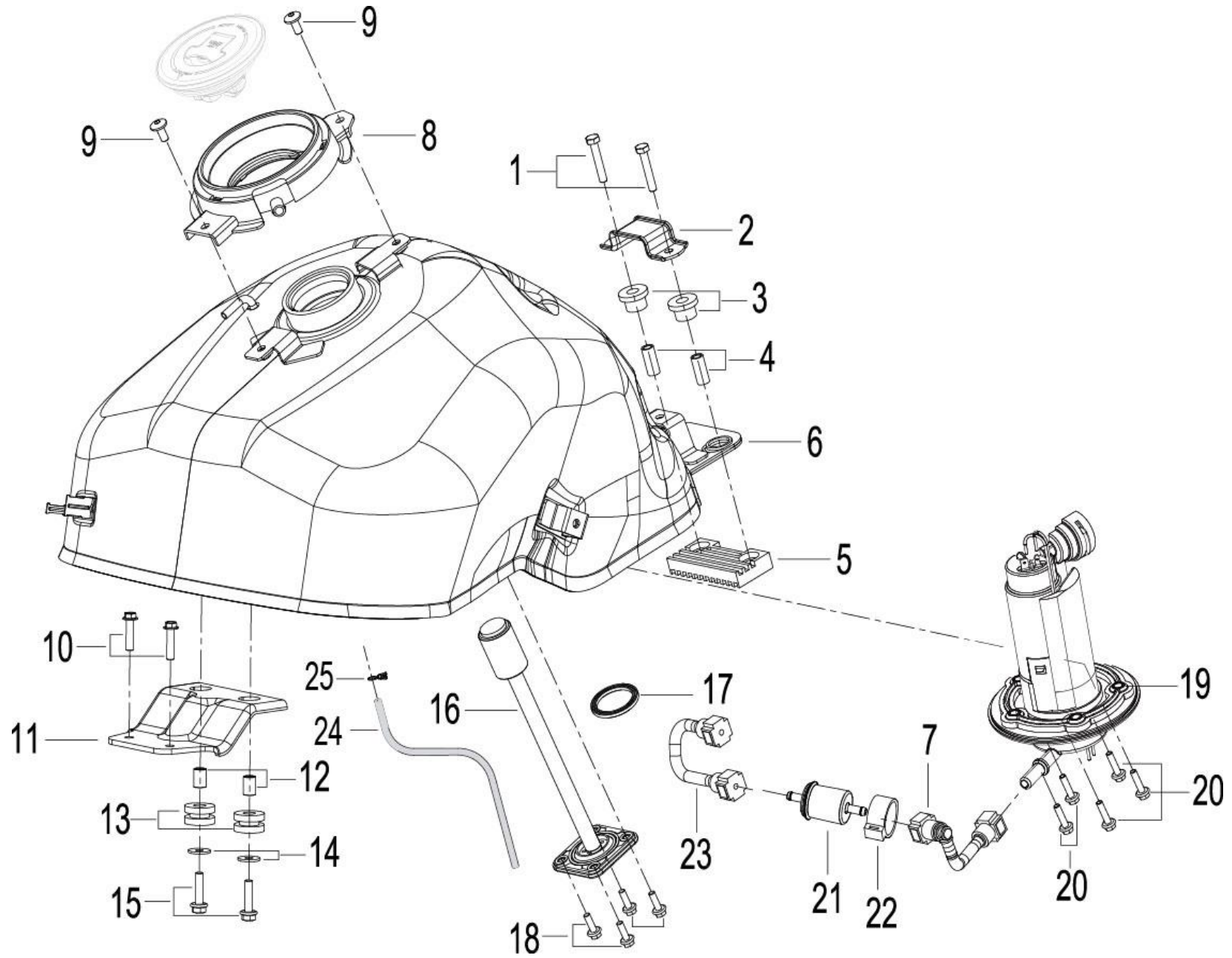
NO.	Position No.	CODE	EN DESCRIPTION	Qty/Unit	Remarks
1	F05	47800P250000	EXHAUST PIPE GASKET ASSY	2	
2	F05	319026280000	OXYGEN SENSOR	2	
3	F05	B04070800052	NUT M8	4	Alt: B0407080005H
4	F05	47500P160201	EXHAUST PIPE ASSY,MARK:e13 BENELLI P16-S1	1	
5	F05	47035P250000	EXHAUST PIPE GASKET ASSY	1	
6	F05	47200P160200	MUFFLER ASSY.MARK:e13 BENELLI P16-M1	1	
7	F05	47026P160000	RUBBER SLEEVE	1	
8	F05	B02171003065	SCREW M10x1.25x30	2	
9	F05	B02810802562	BOLT M8x1.25x25	2	
10	F05	65613P260000	COVER BUSH	2	
11	F05	65617H010010	RUBBER SLEEVE II	2	
12A	F05	47610P160001	LEFT FIXING BOARD	1	
13	F05	47620P160000	RIGHT FIXING BOARD	1	
14	F05	48830P290000	CLAMP ASSY.	1	

F06 空濾器 AIR FILTER ASSY.



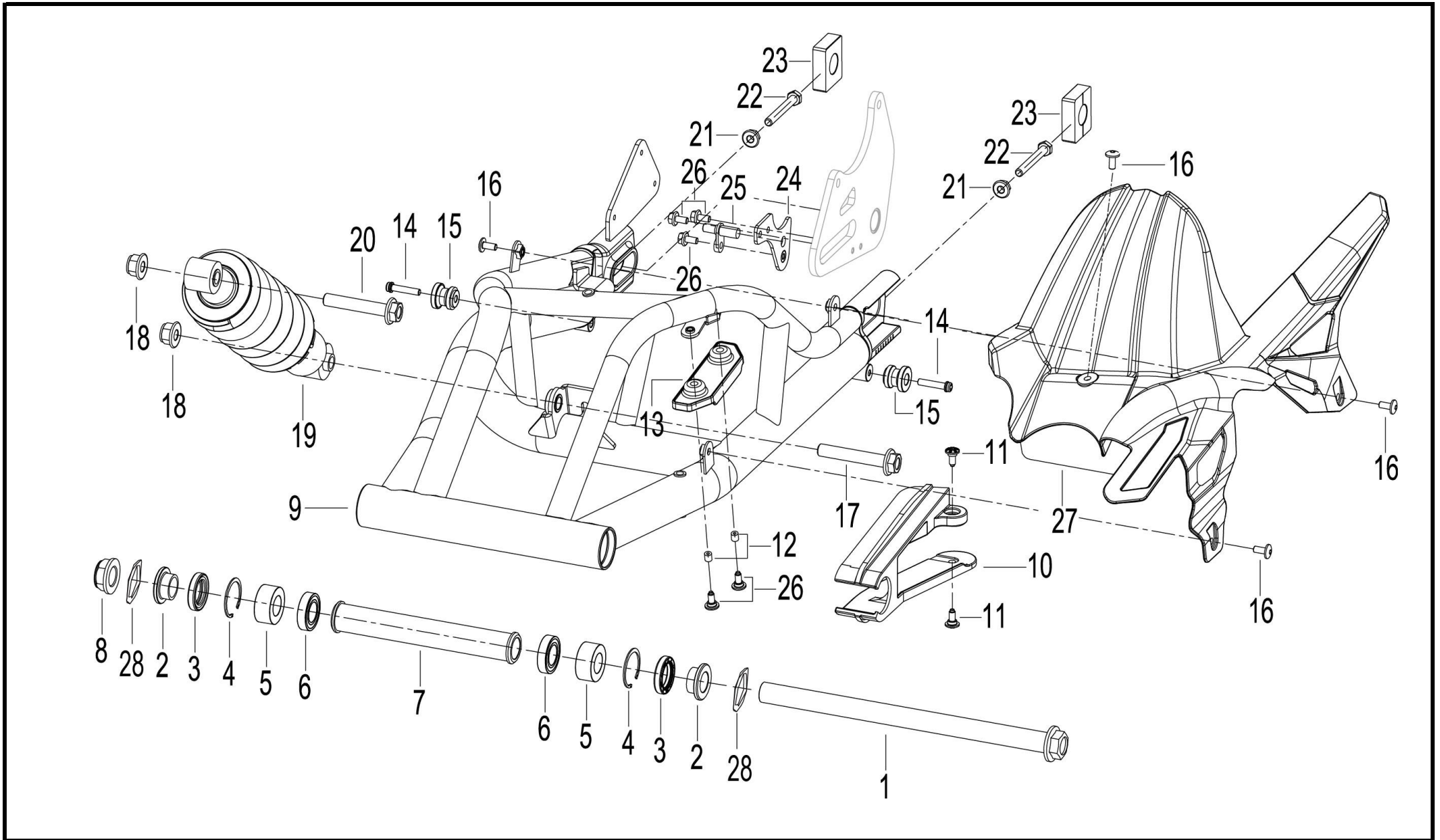
NO.	Position No.	CODE	EN DESCRIPTION	Qty/Unit	Remarks
1	F06	49100P160000	AIR FILTER ASSY	1	
2	F06	B01090601664	BOLT M6×16	2	
3	F06	310015040000	INTAKE AIRTEMPERATURE SENSOR	2	
4	F06	49016N070001	STAINLESS STEEL CLIP 40 - 60	2	
5	F06	49025P100000	EXHAUST GAS RECIRCULATION TUBEbe	1	
6	F06	49805J000000	PLATE CLAMP Φ18.5×10×1	2	
7	F06	49912K670000	CARBON CANISTER	1	
8	F06	50306T450010	PLATE CLAMP φ8	4	
9	F06	B16010425951	PIPE 4×8×595	1	
10	F06	49930G410002	VEHICLE DOWN SENSOR	1	Alt: 50260T730003
11	F06	B16010422901	PIPE 4×8×290	1	
12	F06	49710N070000	VALVE EGR/SOLENOID VALVE	1	
13	F06	50307J140002	PLATE CLAMP φ10	4	
14	F06	49922P160000	CANISTER&VALVE EGR PIPE	1	
15	F06	49923P160000	VALVE EGR&THROTTLE BODY	1	
16	F06	57050P160000	CANISTER FIXING BOARD	1	
17	F06	B01090601664	BOLT M6×16	2	
18	F06	49202P160000	AIR CLEANER FILTER	1	

F07 燃油箱 FUEL TANK ASSY.



NO.	Position No.	CODE	EN DESCRIPTION	Qty/Unit	Remarks
1	F07	B0281060356H	SCREW M6x35	2	
2	F07	50138K980000	MOUNTING SEAT ASSY., SEAT	1	
3	F07	50222J000001	RUBBER SLEEVE	2	
4	F07	50221J000001	FUEL TANK MOUNTING COLLAR	2	
5	F07	50006K980000	RUBBER MAT	1	
6	F07	50100P160000	FUEL TANK ASSY.	1	
7	F07	50360P160000	FUEL PIPE ASSY I	1	
8	F07	65679V020000	FUEL TANK LOCK FIXING BOARD	1	
9	F07	B0283060146H	SCREW M6x14	2	
10	F07	B01090601664	BOLT M6x16	2	
11	F07	50027P160000	FUEL TANK FRONT FIXING BOARD	1	
12	F07	50014P250000	FUEL TANK MOUNTING COLLAR	2	
13	F07	50005P250000	RUBBER CUSHION	2	
14	F07	B07020000602	WASHER 6	2	
15	F07	B01820602562	BOLT M6x25-8.8-ZG	2	
16	F07	50800P160000	FUEL LEVEL SENSOR ASSY	1	
17	F07	50808P250010	FUEL LEVEL SENSOR SEAL RING	1	
18	F07	B0109050166H	BOLT M5x16	4	
19	F07	50400P160000	FUEL PUMP ASSY.	1	
20	F07	B01090502065	BOLT M5x20	5	Alt: B0109050206H
21	F07	50340N070000	FUEL FILTER	1	
22	F07	50391N070000	FUEL FILTER JACKET	1	
23	F07	50090P160000	FUEL PIPE ASSY III	1	
24	F07	B160107C6001	PIPE 11x7x1260	1	
25	F07	B17010105003	CLIP Φ10.5	1	

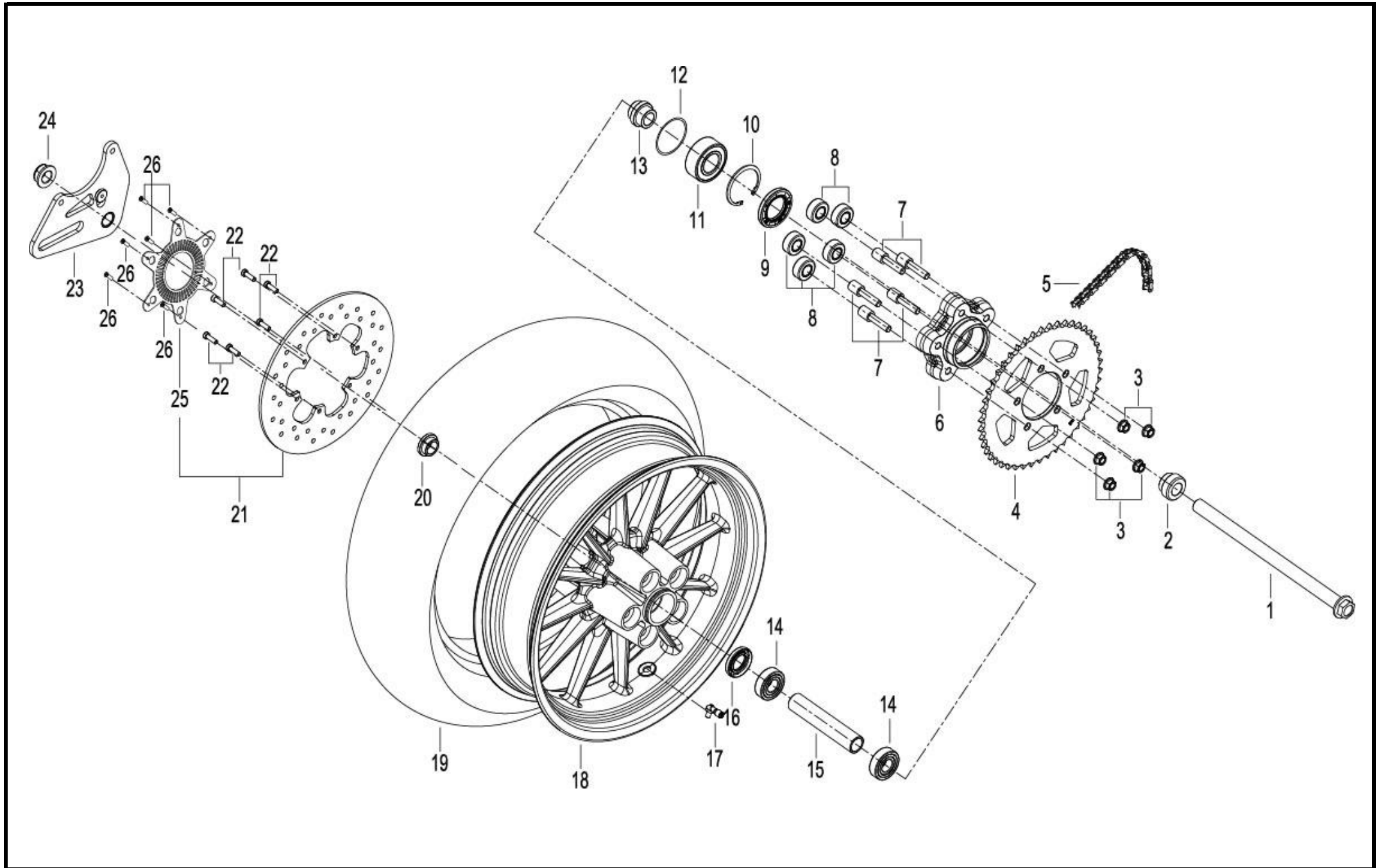
F08 后摆臂 REAR SWING ARM ASSY.



NO.	Position No.	CODE	EN DESCRIPTION	Qty/Unit	Remarks
1	F08	53001P160100	REAR SWING ARM PIVOT SHAFT M20x1.5x314	1	

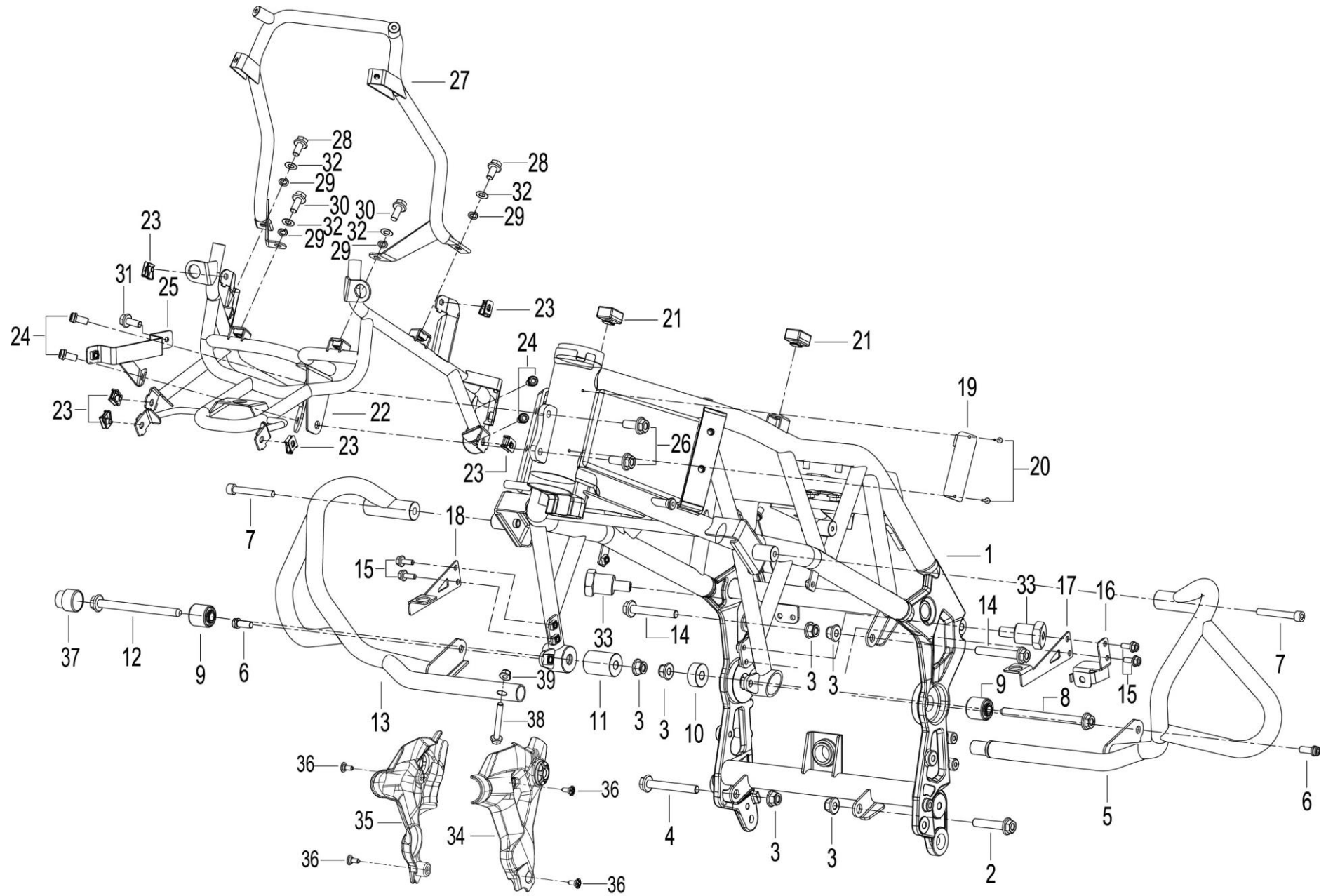
NO.	Position No.	CODE	EN DESCRIPTION	Qty/Unit	Remarks
2	F08	53006P100000	REAR SWING ARM SPACER	2	Alt: 53006P100100
3	F08	53220P100000	SEAL RING ASSY 25x37x7	2	
4	F08	B08000003701	CIRCLIP φ37	2	
5	F08	B1210H490400	NEEDLE BEARING NA4904	2	
6	F08	B12016190400	BALL BEARING61904-2RS	2	
7	F08	53005P100000	REAR SWING ARM MIDDLE SHAFT SLEEVE	1	Alt: 53005P100100
8	F08	08051P100100	NUT M20x1.5	1	
9	F08	53100P160000	REAR SWING ARM ASSY	1	
10	F08	53004P100000	CHAIN SHIELD BLOCK	1	
11	F08	B0284060150A	SCREW M6x15.2	2	
12	F08	53022P100000	SPACER	2	
13	F08	53018P100000	UPPER CHAIN LIMITED BLOCK	1	
14	F08	B02810602562	BOLT M6x25	2	
15	F08	53021P250000	BUSH	2	
16	F08	B0283060146H	SCREW M6x14	4	
17	F08	08011M150000	BOLT M12x75	1	
18	F08	B04171212545	NUT M12x1.25	2	
19	F08	63800P160000	REAR ABSORBER ASSY	1	
20	F08	08018P160000	REAR ABSORBER BOLT M12x1.25x65	1	
21	F08	B04070800052	NUT M8	2	Alt: B0407080005H
22	F08	08002P300010	SCREW M8	2	
23	F08	53231P100001	DRIVE CHAIN PULLER	2	
24	F08	55420P160000	MOUNTING PLATE	1	
25	F08	55710P250000	REAR WHEEL ROTATION SENSOR	1	
26	F08	B01090601665	BOLT M6x16	5	
27	F08	60101P160000	DRIVE CHAIN COVER	1	
28	F08	43025J010050	WASHER	2	

F09 后轮 REAR WHEEL ASSY.



NO.	Position No.	CODE	EN DESCRIPTION	Qty/Unit	Remarks
1	F09	54004P100000	REAR WHEEL AXLE	1	Alt: 54004P100100
2	F09	54016P100000	REAR WHEEL LEFT COLLAR	1	
3	F09	B04821012552	SELF-LOCKING NUT M10x1.25	5	
4	F09	60002P160000	REAR WHEEL SPROCKET 42TEETH	1	
5	F09	60310P160000	CHAIN	1	Alt: 60310P160002
6	F09	60001P100000	REAR WHEEL DRIVE HUB	1	
7	F09	60015P250010	SPROCKET MOUNTING BOLT M10x1.25x41	5	
8	F09	54622S010000	REAR WHEEL DRIVE HUB DAMPER	5	
9	F09	60200P100000	SEAL RING ASSY 38x62x7	1	
10	F09	B08810006200	CIRCLIP ϕ 62	1	
11	F09	54553S010000	BEARING 30x62x23.8	1	
12	F09	B190105300C0	O SEAL RING ϕ 53x ϕ 3.55	1	
13	F09	60006P100000	REAR WHEEL AXLE SLEEVE	1	
14	F09	B12016020400	BALL BEARING 6204-2RS	2	
15	F09	54006P100000	REAR WHEEL SPACER	1	
16	F09	60200J000001	DUST SEAL ASSY	1	
17	F09	B1403Z201100	AIR VALVE/RIM VALVE	1	
18	F09	54101P10HT00	REAR RIM ASSY	1	
19	F09	B140111C1780	TIRE 160/60-ZR17	1	
20	F09	54005P100100	REAR WHELL RIGHT COLLAR ϕ 20x ϕ 27x13	1	
21	F09	55030P250005	REAR DISC BRAKE	1	
22	F09	B0282060208H	SCREW M6x20	6	
23	F09	55610P160000	REAR BRAKE CALIPER MOUNTING BRACKET ASSY	1	
24	F09	08051P100100	NTU M20x1.5	1	
25	F09	55702P250001	ABS GEAR RING	1	
26	F09	B02010400622	SCREW M4x6	6	

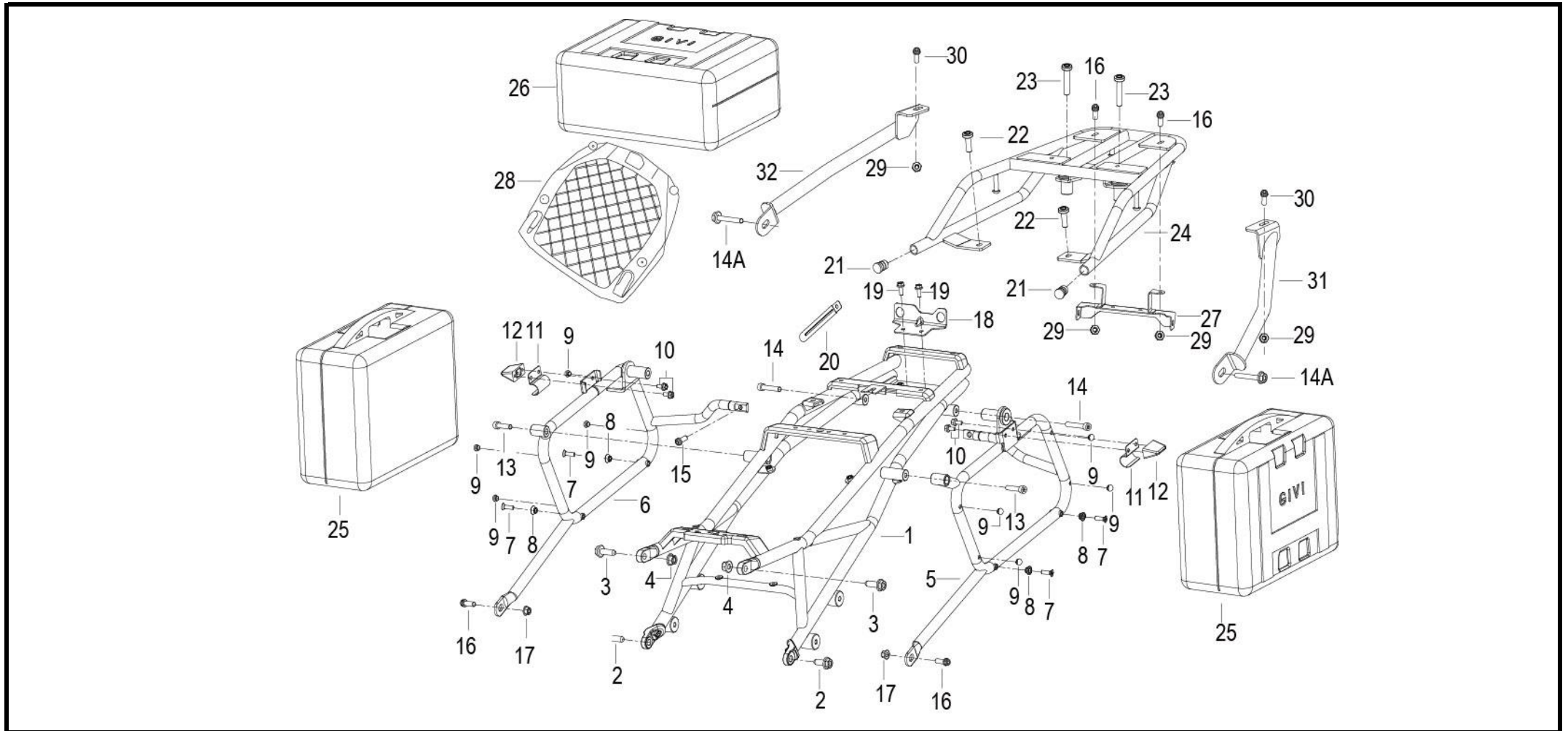
F10 前车架 FRAME ASSY.



NO.	Position No.	CODE	EN DESCRIPTION	Qty/Unit	Remarks
1	F10	57110P160001	FRONT FRAME ASSY	1	
2	F10	B01591005065	BOLT M10x1.25x50	1	Alt: B0159100506H
3	F10	B0417101254H	SELF-LOCKING NUT M10x1.25	6	
4	F10	B01591007065	BOLT M10x1.25x70	1	
5	F10	59110P160100	FRONT LEFT GUARD BAR ASSY	1	
6	F10	B0205080206H	SCREW M8x20	2	
7	F10	B02050806024	SCREW M8x60	2	
8	F10	B0159101306H	BOLT M10x1.25x130	1	
9	F10	57060P130000	DAMPER	2	
10	F10	57028P160000	LEFT BUSH	1	
11	F10	57029P160000	RIGHT BUSH	1	
12	F10	B01591012565	BOLT M10x1.25x125	1	
13	F10	59120P160100	FRONT RIGHT GUARD BAR ASSY	1	
14	F10	B01591006865	BOLT M10x1.25x68	2	
15	F10	B01090601664	BOLT M6x16	5	
16	F10	08100P160000	HORN MOUNTING BRAKET	1	
17	F10	57041P160000	RADIATOR LEFT MOUNTING BOARD	1	
18	F10	57042P160000	RADIATOR RIGHT MOUNTING BOARD	1	
19	F10	57001P160000	LABEL PLATE	1	
20	F10	B100432007P0	RIVET 3.2x7	2	
21	F10	43504E070001	DAMPER	2	
22	F10	59400P160100	BRAKCEY ASSY	1	
23	F10	65803S010010	CARD NUT M6	6	
24	F10	B02810801662	BOLT M8x16	4	
25	F10	57480P160000	FIXING SEAT	1	
26	F10	B01591002065	BOLT M10x1.25x20	2	
27	F10	59460P16000Z	WINDLESHIELD MOUNTING BRACKET	1	

NO.	Position No.	CODE	EN DESCRIPTION	Qty/Unit	Remarks
28	F10	B01090802065	BOLT M8x20	2	
29	F10	B07000000802	SPRING WASHER 8	2	
30	F10	B01090801665	BOLT M8x16	2	
31	F10	B01090601264	BOLT M6x12	1	
32	F10	B0703000080H	WASHER 8	2	
33	F10	08014P160000	BOLT M10x17	1	
34	F10	65697P160000	LEFT DECORATIVE BOARD II	1	
35	F10	65698P160000	RIGHT DECORATIVE BOARD II	1	
36	F10	B02830601262	SCREW M6x12	4	
37	F10	53018P160000	RUBBER	1	
38	F10	B0109060356H	BOLT M6x35	1	
39	F10	B0417060004H	NUT M6	1	

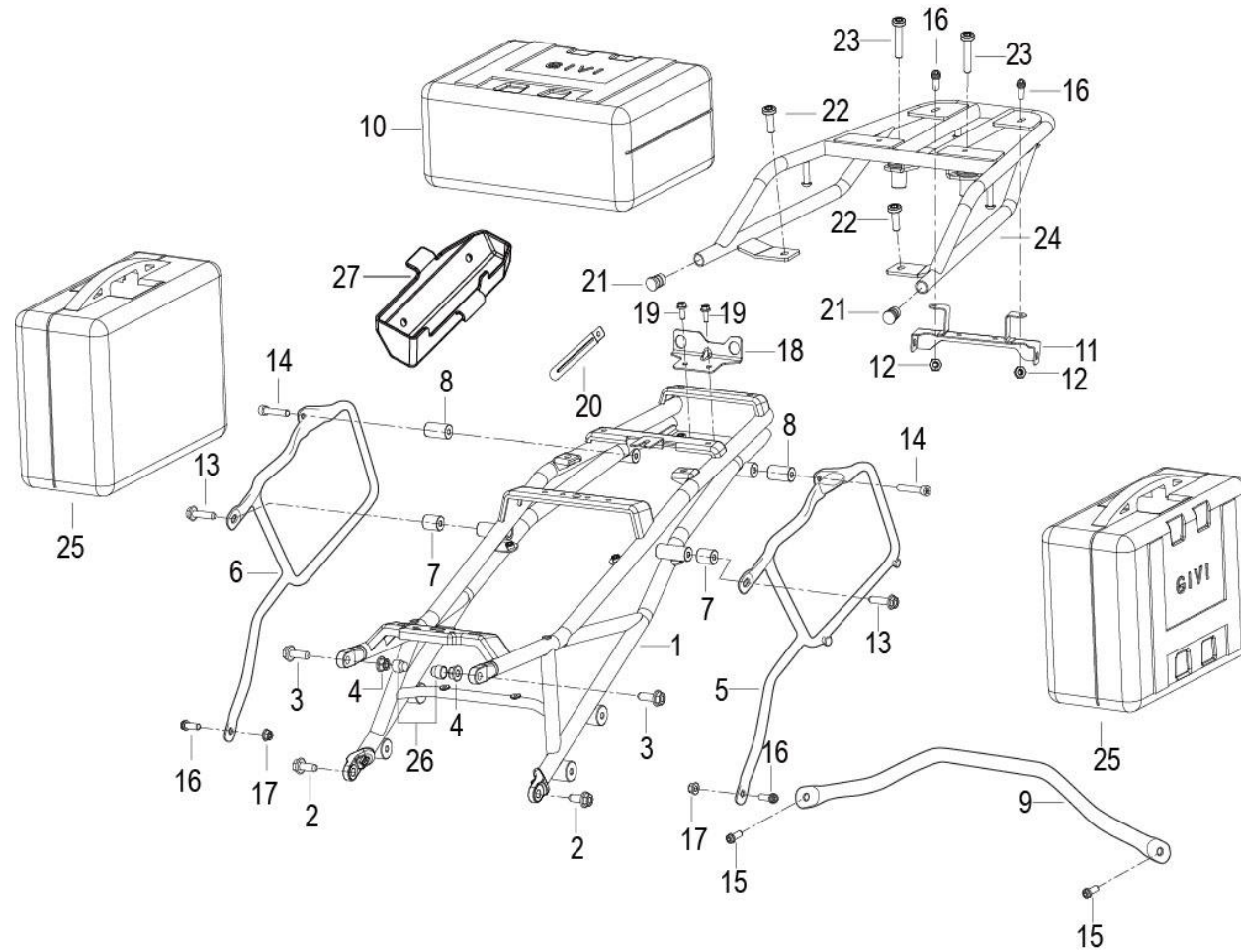
F11 后车架 REAR FRAME ASSY.



NO.	Position No.	CODE	EN DESCRIPTION	Qty/Unit	Remarks
1	F11	57120P160000	REAR FRAME ASSY	1	new part no : 57120P16BH0A
2	F11	B01091002565	BOLT M10×25	2	
3	F11	B01591003065	BOLT M10×1.25×30	2	
4	F11	B0417101254H	SELF-LOCKING NUT M10×1.25	2	

NO.	Position No.	CODE	EN DESCRIPTION	Qty/Unit	Remarks
14A	F11	B01090806562	BOLT M8x65	2	
15	F11	B02810801662	BOLT M8x16	1	
16	F11	B02810803062	BOLT M8x1.25x30	4	
17	F11	B0417080004H	NUT M8	2	
18	F11	08301P160000	TAIL LIGHT MOUNTING BOARD	1	
19	F11	B01090601262	BOLT M6x12	2	
20	F11	08430P250000	CLIP ASSY	1	
21	F11	52001J000000	PLUG	2	
22	F11	B0109080206H	BOLT M8x20	2	
23	F11	08001J820000	GRAB RAIL SCREW M8x45	2	
24	F11	52100P160000	GRAB RAIL SCREW	1	
27	F11	65780P160000	REAR TURN SIGNAL MOUNTING BRACKET	1	
28	F11	52210P160000	REAR CARRIER MOUNTING BOARD	1	
29	F11	B04810600052	NUT M6x1	4	
30	F11	B02810603062	BOLT M6x30	2	

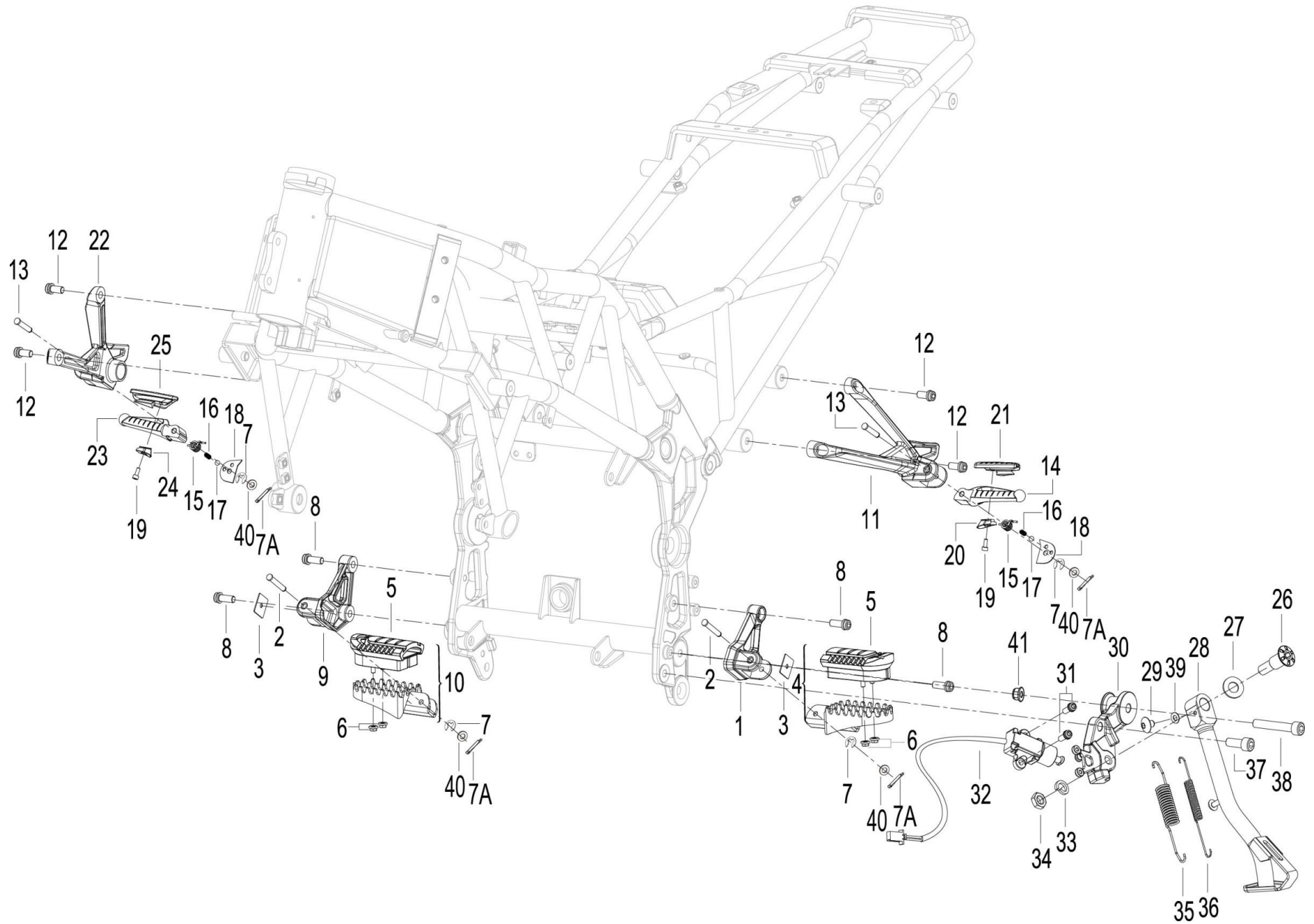
F11_2 后车架 REAR FRAME ASSY.



NO.	Position No.	CODE	EN DESCRIPTION	Qty/Unit	Remarks
1	F11_2	57120P160000	REAR FRAME ASSY	1	new part no : 57120P16BH0A
2	F11_2	B0109100256H	BOLT M10×25	2	
3	F11_2	B0159100306H	BOLT M10×1.25×30	2	
4	F11_2	B0417101254H	SELF-LOCKING NUT M10×1.25	2	
7	F11_2	52715P160002	BUSH I Φ20xΦ8.5X26	2	

NO.	Position No.	CODE	EN DESCRIPTION	Qty/Unit	Remarks
8	F11_2	52716P160002	BUSH II Φ20xΦ8.5X40	2	
9	F11_2	52711P160002	CONNECTING ROD	1	
11	F11_2	65780P160000	REAR TURN SIGNAL MOUNTING BRACKET	1	
12	F11_2	B04810600052	NUT M6x1	2	
13	F11_2	B0109080406H	BOLT M8x40	2	
14	F11_2	B0109080606H	BOLT M8x60	2	
15	F11_2	B0109080166J	BOLT M8x16	2	
16	F11_2	B02810803062	BOLT M8x1.25x30	4	
17	F11_2	B0417080004H	NUT M8	2	
18	F11_2	08301P160000	TAIL LIGHT MOUNTING BOARD	1	
19	F11_2	B01090601264	BOLT M6x12	2	
20	F11_2	08430P250000	CLIP ASSY	1	
21	F11_2	52001J000000	PLUG	2	
22	F11_2	B0109080206H	BOLT M8x20	2	
23	F11_2	08001J820000	GRAB RAIL SCREW M8x45	2	
24	F11_2	52100P160000	REAR CARRIER	1	
26	F11_2	58306P160000	PROTECT RUBBER JACKET	2	
27	F11_2	02131P160000	TOOL KIT BOX	1	

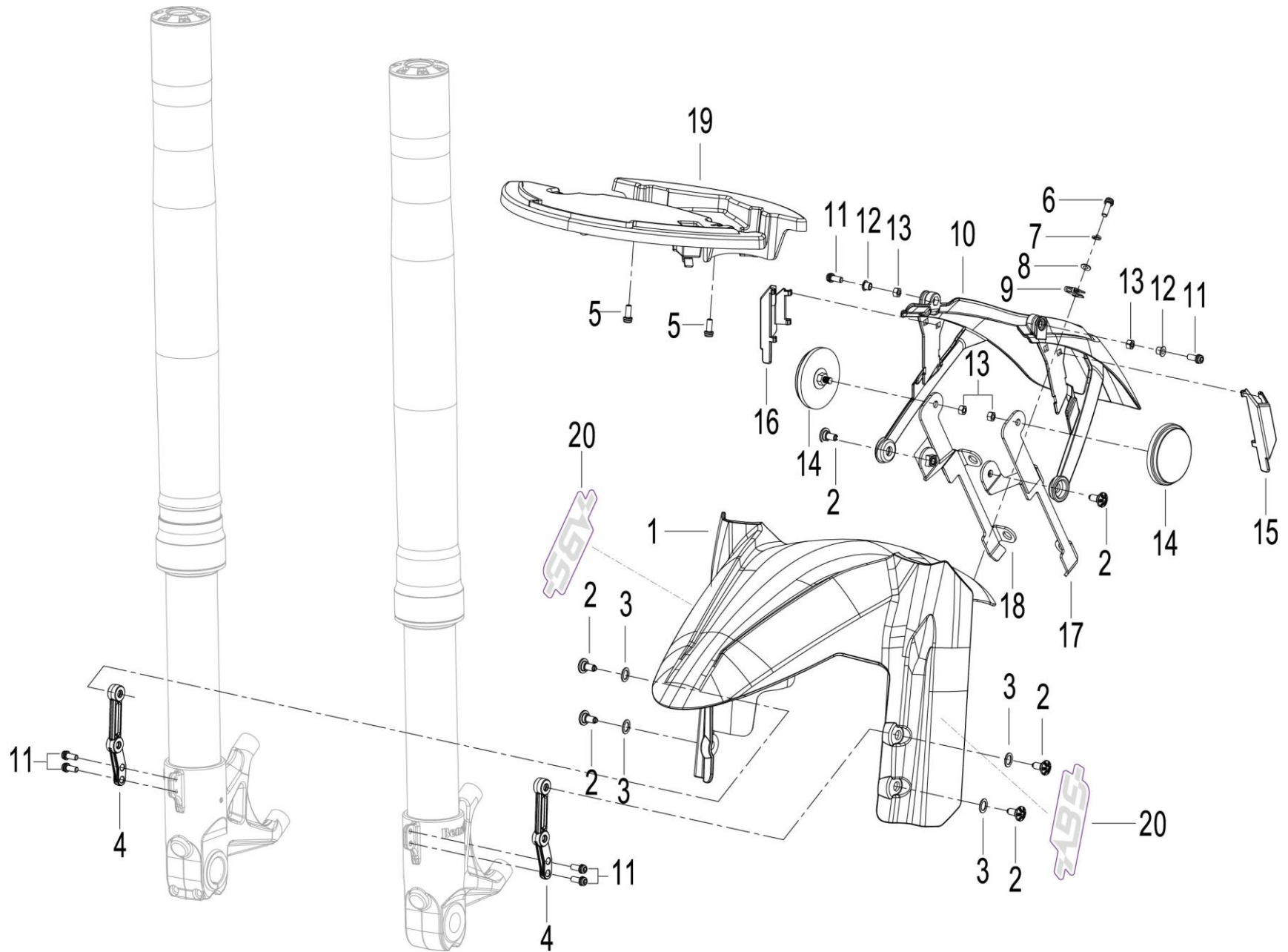
F12 脚蹬/单撑 PEDAL ASSY&SIDE STAND ASSY.



NO.	Position No.	CODE	EN DESCRIPTION	Qty/Unit	Remarks
1	F12	58226P160000	LEFT FRONT FOOTREST BRACKET	1	
2	F12	58217P160000	FOOTREST MOUNTING PIN,with hole	2	with hole,used with cotter pin 2x18
3	F12	58256P160000	FIXING BORAD	2	
4	F12	58220P160001	LEFT FRONT FOOTREST ASSY	1	
5	F12	58231P160000	FRONT FOOTREST RUBBER	2	
6	F12	B04070500052	NUT M5	4	
7A	F12	B090002018AH	COTTER PIN 2x18	4	
8	F12	B02810802062	BOLT M8x1.25x20	4	
9	F12	58246P160000	RIGHT FRONT FOOTREST BRACKET	1	
10	F12	58240P160001	RIGHT FRONT FOOTREST ASSY	1	
11	F12	58451P160000	LEFT REAR FOOTREST BRACKET	1	
12	F12	B02810801662	BOLT M8x16	4	
13	F12	58217P100000	FOOTREST MOUNTING PIN	2	with hole,used with cotter pin 2x18
14	F12	58266S010000	LEFT REAR FOOTREST	1	
15	F12	58202D010000	SPRING	2	
16	F12	58222B930000	FRONT FOOTREST SPRING	2	
17	F12	B06000002000	REAR FOOTREST BALL	2	
18	F12	58451S010000	FOOTREST BRACKET PLATE	2	
19	F12	B0280040100A	SCREW M4x10	2	
20	F12	58205S020000	LEFT FOOTREST RUBBER PAD	1	
21	F12	08352S020000	LEFT FOOTREST RUBBER	1	
22	F12	58471P160000	RIGHT REAR FOOTREST BRACKET	1	
23	F12	58286S010000	RIGHT REAR PEDAL	1	
24	F12	58405S020000	RIGHT FOOTREST RUBBER PAD	1	
25	F12	08372S020000	RIGHT PEDAL RUBBER	1	
26	F12	57005P280100	SIDE STAND MOUNTING SCREW	1	
27	F12	08021P250000	SIDE STAND MOUNTING WASHER	1	

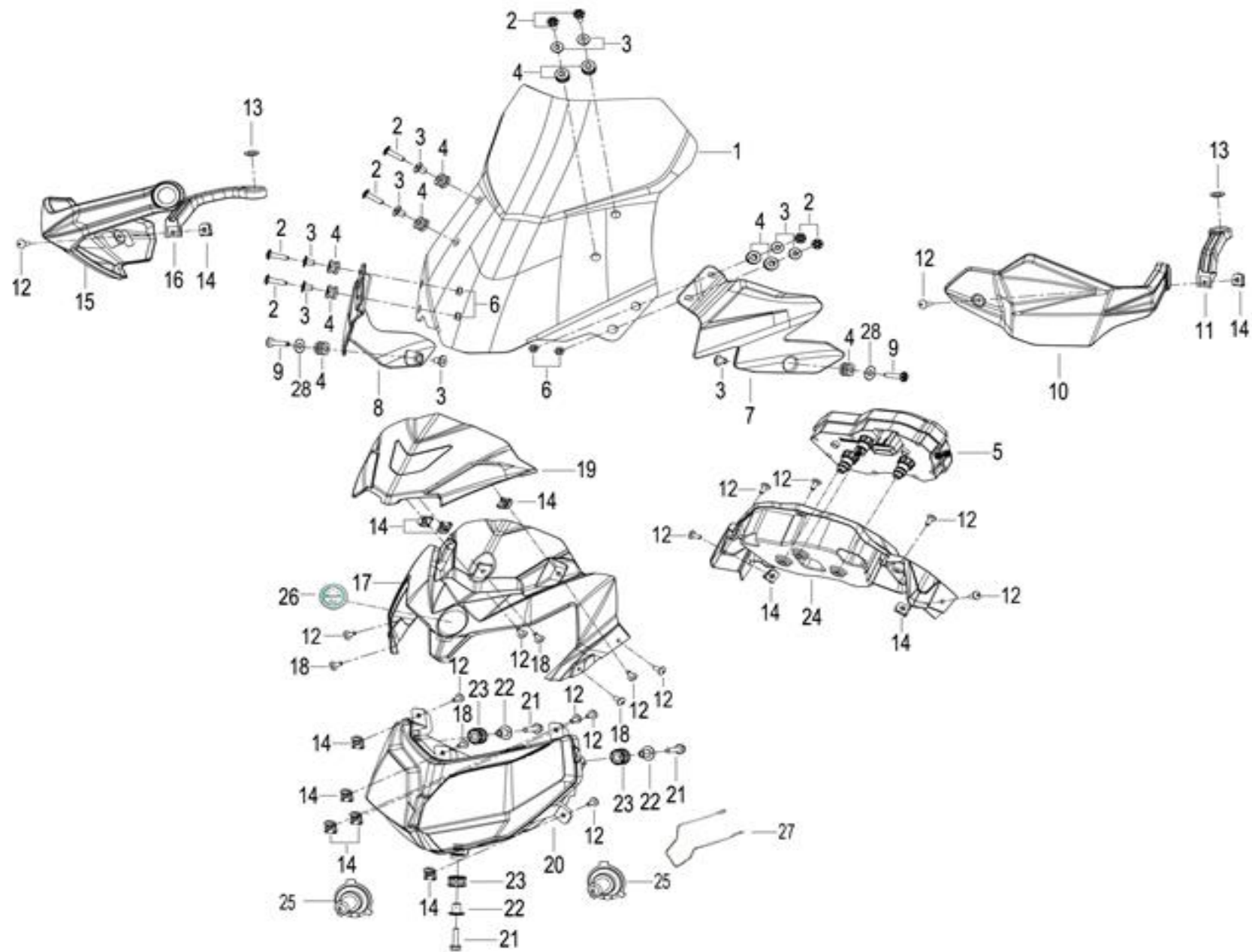
NO.	Position No.	CODE	EN DESCRIPTION	Qty/Unit	Remarks
28	F12	58700P250001	SIDE STAND ASSY	1	
29	F12	B02830600862	BOLT M6x8	1	
30	F12	57405P280000	SIDE STAND MOUNTING BRACKET	1	
31	F12	B02810501462	SCREW M5x0.8x14	2	
32	F12	91170P160000	SIDE STAND SWITCH	1	
33	F12	B07000001204	SPRING WASHER 12	1	
34	F12	B04031212514	NUT M12x1.25	1	
35	F12	57003P250000	SIDE STAND OUTER SPRING	1	
36	F12	57004S010000	SIDE STAND INNER SPRING	1	
37	F12	B02051004065	HEXAGON SCREW M10x40	1	
38	F12	B02051006065	HEXAGON SCREW M10x60	1	
39	F12	B07030000602	WASHER Φ 6	1	
40	F12	B0703000060H	WASHER Φ 6	4	
41	F12	B04171000042	NUT M10	1	

F13 前挡泥板 FRONT FENDER ASSY.



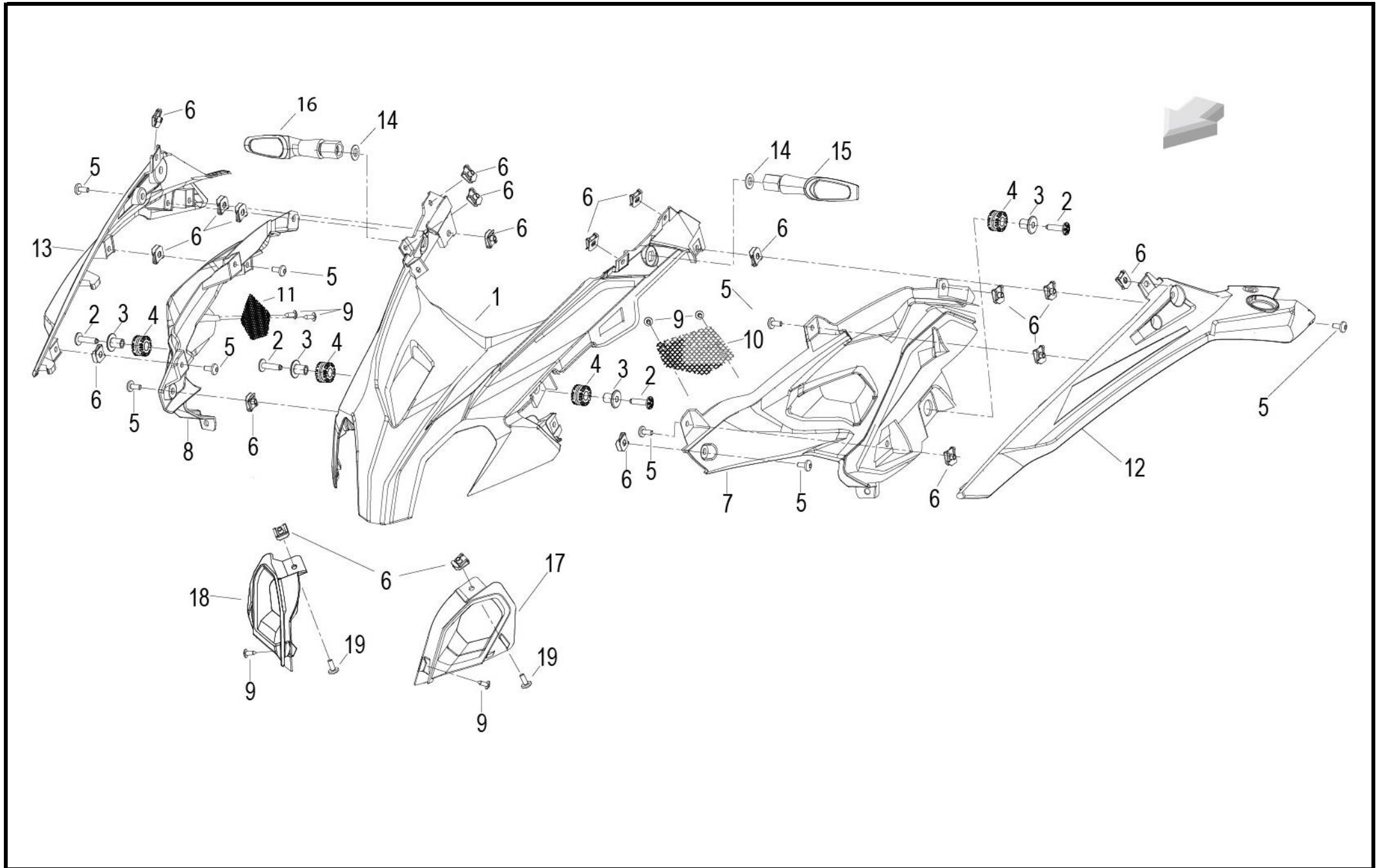
NO.	Position No.	CODE	EN DESCRIPTION	Qty/Unit	Remarks
1	F13	65101P16BA00	FRONT FENDER I,SATIN BLACK BA,WITHOUT STICKER	1	
1	F13	65101P16002Z	FRONT FENDER I,SATIN BLACK BA,WITH ABS STICKER	1	
2	F13	B0284060150A	SCREW M6x15.2	6	
3	F13	47936S010000	NYLON WASHER	4	
4	F13	65141S010000	FRONT FENDER MOUNTING BRACKET	2	
5	F13	B02830501662	SCREW M5x0.8x16	2	
6	F13	B02180501262	SCREW M5x12	1	
7	F13	B0700000050L	SPRING WASHER 5	1	
8	F13	B0703000050A	WASHER Φ 5	1	
9	F13	08053G120000	NUT	1	
10	F13	65150P160000	FRONT FENDER II	1	
11	F13	B02810501462	BOLT M5x0.8x14	6	
12	F13	65105S040000	T BUSHING 5x7x6x10x0.8	2	
13	F13	B04000500052	NUT M5	2	
14	F13	86300J000002	SIDE RELECTOR	2	
15	F13	65108P160000	FRONT FENDER LEFT DECORATE BOARD	1	
16	F13	65116P160000	FRONT FENDER RIGHT DECORATE BOARD	1	
17	F13	65130P160000	FRONT FENDER LEFT BRACKET	1	
18	F13	65140P160000	FRONT FENDER RIGHT BRACKET	1	
19	F13	65102P160000	FRONT INNER FENDER	1	
20	F13	05503P10BA0D	ASB STICKER	2	

F14 前照灯&挡风玻璃 HEAD LIGHT&WINDSHIELD



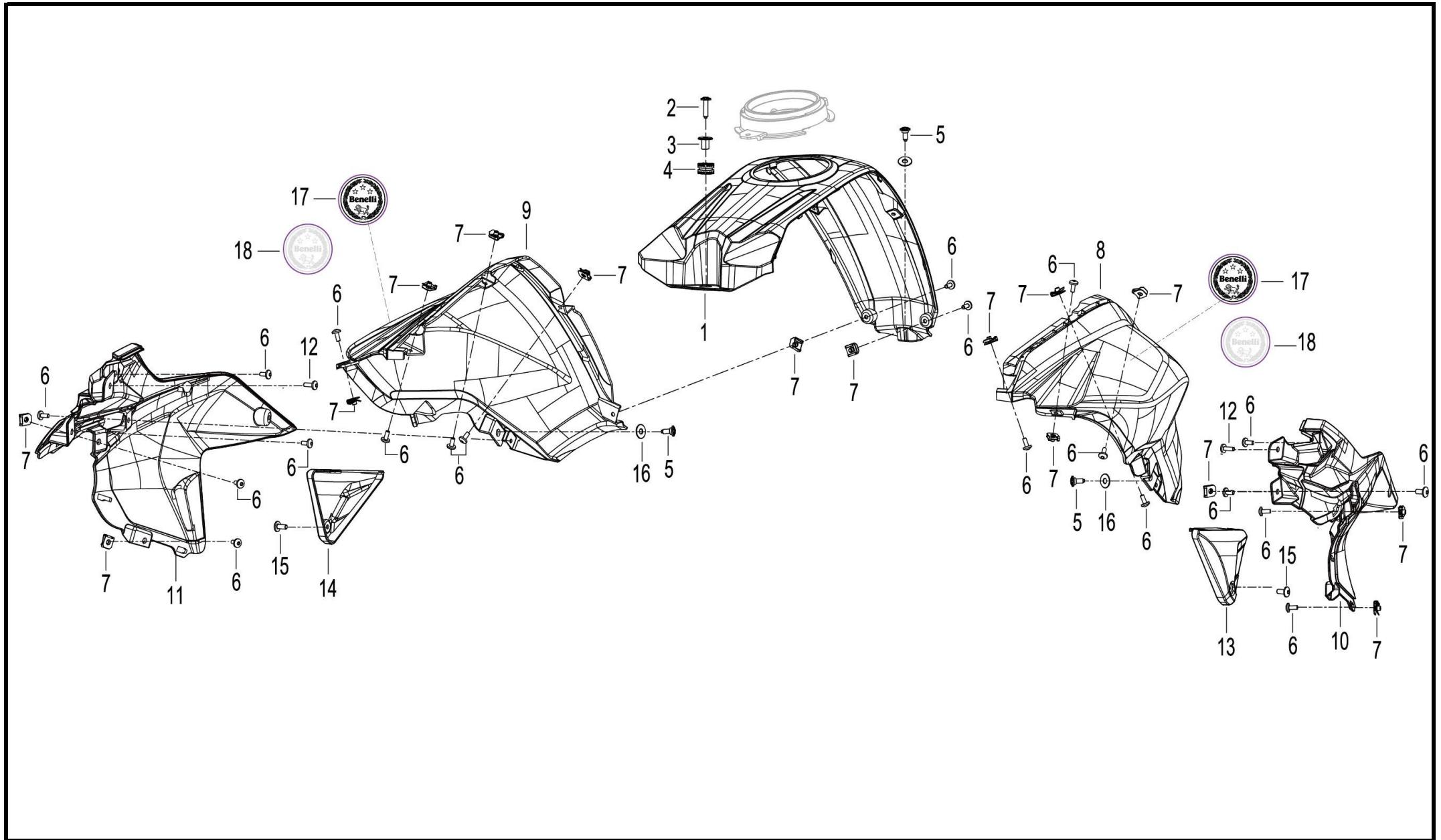
NO.	Position No.	CODE	EN DESCRIPTION	Qty/Unit	Remarks
1	F14	65503P160001	WINDSHIELD	1	
2	F14	B0284060250A	STAINLESS SCREW M6x25	8	
3	F14	65517K320100	SPACER	10	
4	F14	81708S010000	RUBER BUSH 8x18x4x12x4x4	10	
5	F14	70000P160000	METER ASSY	1	
6	F14	B04810600052	NUT M6x1	4	
7	F14	65204P160000	LEFT WINDSHIELD	1	
8	F14	65205P160000	RIGHT WINDSHIELD	1	
9	F14	B0284060250A	BOLT M6x25	2	
10	F14	65216P160000	LEFT PROTECT COVER	1	
11	F14	65218P160001	LEFT CONNECTING BOARD	1	
12	F14	08012P160000	BOLT M5x16	6	
13	F14	65006D010000	SPACER	2	
14	F14	65624P160000	CARD NUT M5	12	
15	F14	65217P160000	RIGHT PROTECT COVER	1	
16	F14	65219P160001	RIGHT CONNECTING BOARD	1	
17	F14	65201P16BA00	HEAD LIGHT PROTECT COVER,SATIN BLACK	1	
18	F14	08011P160000	SCREW M5x12	13	
19	F14	65203P16BA00	METER VISOR	1	
20	F14	80000P160001	HEAD LIGHT	1	
21	F14	B01090602565	BOLT M6x25	3	
22	F14	14003S040010	BUSH	3	
23	F14	65821S010000	RUBBER BLOCK	3	
24	F14	65315P160000	METER MOUNTING BOARD	1	
25	F14	B240137200F0	BUBL 12V55W-H7	2	
26	F14	05521B450000	BENELLI LABEL	1	
27	F14	80110S010001	SPRING	2	
28	F14	B0702000060H	WASHER 6	2	

F15 前大罩 FRONT COVER ASSY.



NO.	Position No.	CODE	EN DESCRIPTION	Qty/Unit	Remarks
1	F15	65301P16BA00	FRONT FACEPLATE,SATIN BLACK BA	1	
2	F15	B0284060250A	STAINLESS SCREW M6x25	4	
3	F15	14003S040010	BUSH	4	
4	F15	65821S010000	RUBBER BLOCK	4	
5	F15	08011P160000	SCREW M5x12	8	
6	F15	65624P160000	CARD NUT M5	18	
7	F15	65316P160000	LEFT CONECTING BOARD	1	
8	F15	65317P160000	RIGHT CONNECTING BOARD	1	
9	F15	B0507420130H	TAPPING SCREW ST4.2x13	6	
10	F15	65318P160000	LEFT BARBED WIRE	1	
11	F15	65319P160000	RIGHT BARBED WIRE	1	
12	F15	65303P16WF00	FRONT FACEPLATE LEFT DECORATE COVER,WHITE WF	1	
12	F15	65303P16TL00	FRONT FACEPLATE LEFT DECORATE COVER,RED TL	1	
12	F15	65303P16JH00	FRONT FACEPLATE LEFT DECORATE COVER,GREY JH	1	
13	F15	65309P16WF00	FRONT FACEPLATE RIGHT DECORATE COVER,WHITE WF	1	
13	F15	65309P16TL00	FRONT FACEPLATE RIGHT DECORATE COVER,RED TL	1	
13	F15	65309P16JH00	FRONT FACEPLATE RIGHT DECORATE COVER,GREY JH	1	
14	F15	08023P250000	WASHER Φ 10.5x Φ 19x0.8	2	
15	F15	81100V020000	FRONT LEFT TURN SIGNAL LIGHT	1	
16	F15	81300V020000	FRONT RIGHT TURN SIGNAL LIGHT	1	
17	F15	65305P16BA00	LEFT AIR VENTS,SATIN BLACK BA	1	
18	F15	65306P16BA00	RIGHT AIR VENTS,SATIN BLACK BA	1	
19	F15	08012P160000	BOLT M5x16	2	

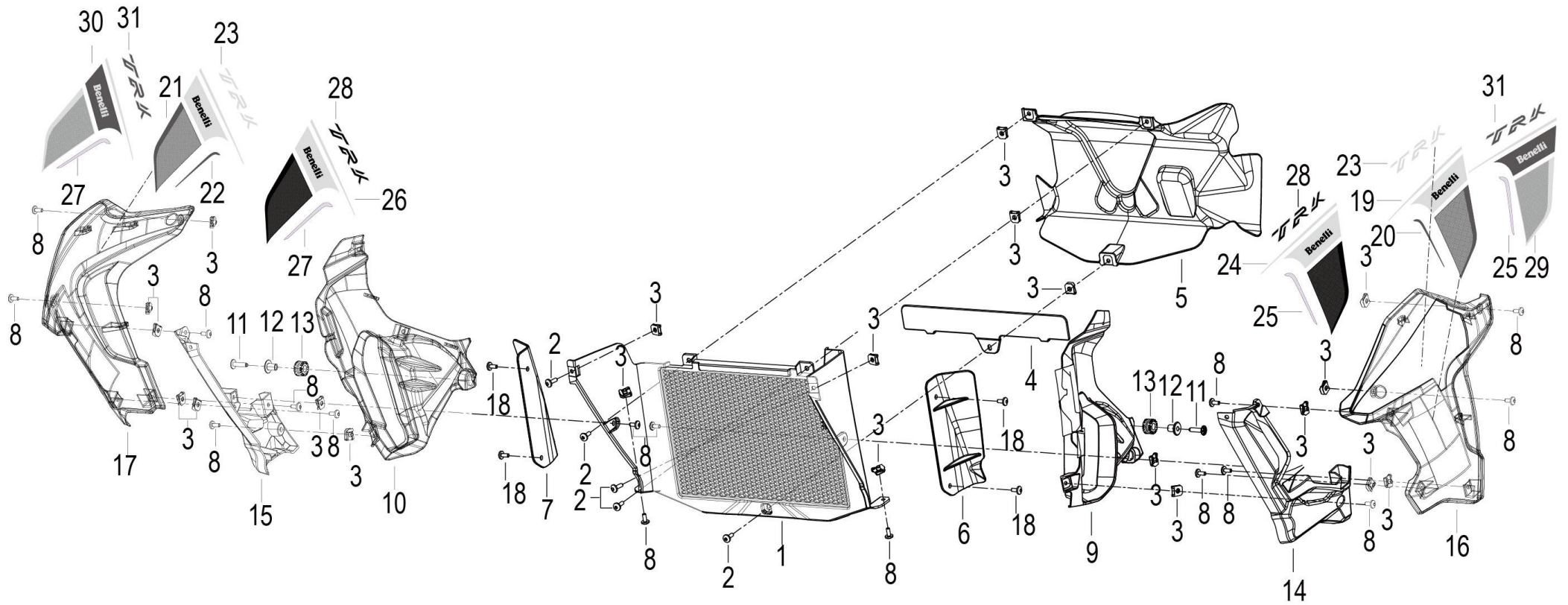
F16 油箱护板 FUEL TANK COVER



NO.	Position No.	CODE	EN DESCRIPTION	Qty/Unit	Remarks
1	F16	65672P16BA00	FUEL TANK MIDDLE COVER,SATIN BLACK BA	1	

NO.	Position No.	CODE	EN DESCRIPTION	Qty/Unit	Remarks
2	F16	B0284060250A	STAINLESS SCREW M6x25	1	
3	F16	14003S040010	BUSH	1	
4	F16	65821S010000	RUBBER BLOCK	1	
5	F16	B0284060150A	SCREW M6x15.2	3	
6	F16	08011P160000	SCREW M5x12	20	
7	F16	65624P160000	CARD NUT M5	14	
8	F16	65673P16WF00	FUEL TANK LEFT SIDE COVER,WHITE WF,WITHOUT STICKER	1	
8	F16	65673P16TL00	FUEL TANK LEFT SIDE COVER,RED TL,WITHOUT STICKER	1	
8	F16	65673P16JH00	FUEL TANK LEFT SIDE COVER,GREY JH,WITHOUT STICKER	1	
8	F16	65673P16001Z	FUEL TANK LEFT SIDE COVER,WHITE WF,WITH STICKER	1	
8	F16	65673P16002Z	FUEL TANK LEFT SIDE COVER,RED TL,WITH STICKER	1	
8	F16	65673P16003Z	FUEL TANK LEFT SIDE COVER,GREY JH,WITH STICKER	1	
9	F16	65674P16WF00	FUEL TANK RIGHT SIDE COVER,WHITE WF,WITHOUT STICKER	1	
9	F16	65674P16TL00	FUEL TANK RIGHT SIDE COVER,RED TL,WITHOUT STICKER	1	
9	F16	65674P16JH00	FUEL TANK RIGHT SIDE COVER,GREY JH,WITHOUT STICKER	1	
9	F16	65674P16001Z	FUEL TANK RIGHT SIDE COVER,WHITE WF,WITH STICKER	1	
9	F16	65674P16002Z	FUEL TANK RIGHT SIDE COVER,RED TL,WITH STICKER	1	
9	F16	65674P16003Z	FUEL TANK RIGHT SIDE COVER,GREY JH,WITH STICKER	1	
10	F16	65675P160000	FUEL TANK LEFT UNDER COVER	1	
11	F16	65676P160000	FUEL TANK RIGHT UNDER COVER	1	
12	F16	08012P160000	SCREW M5x16	2	
13	F16	65691P160000	FRAME LEFT DECORATE BOARD	1	
14	F16	65692P160000	FRAME RIGHT DECORATE BOARD	1	
15	F16	B0283060146H	SCREW M6x14	2	
16	F16	47936S010000	NYLON WASHER	3	
17	F16	05535P10WF06	BLACK BENELLI STICKER	2	
18	F16	05535P10GT06	SILVER BENELLI STICKER	2	

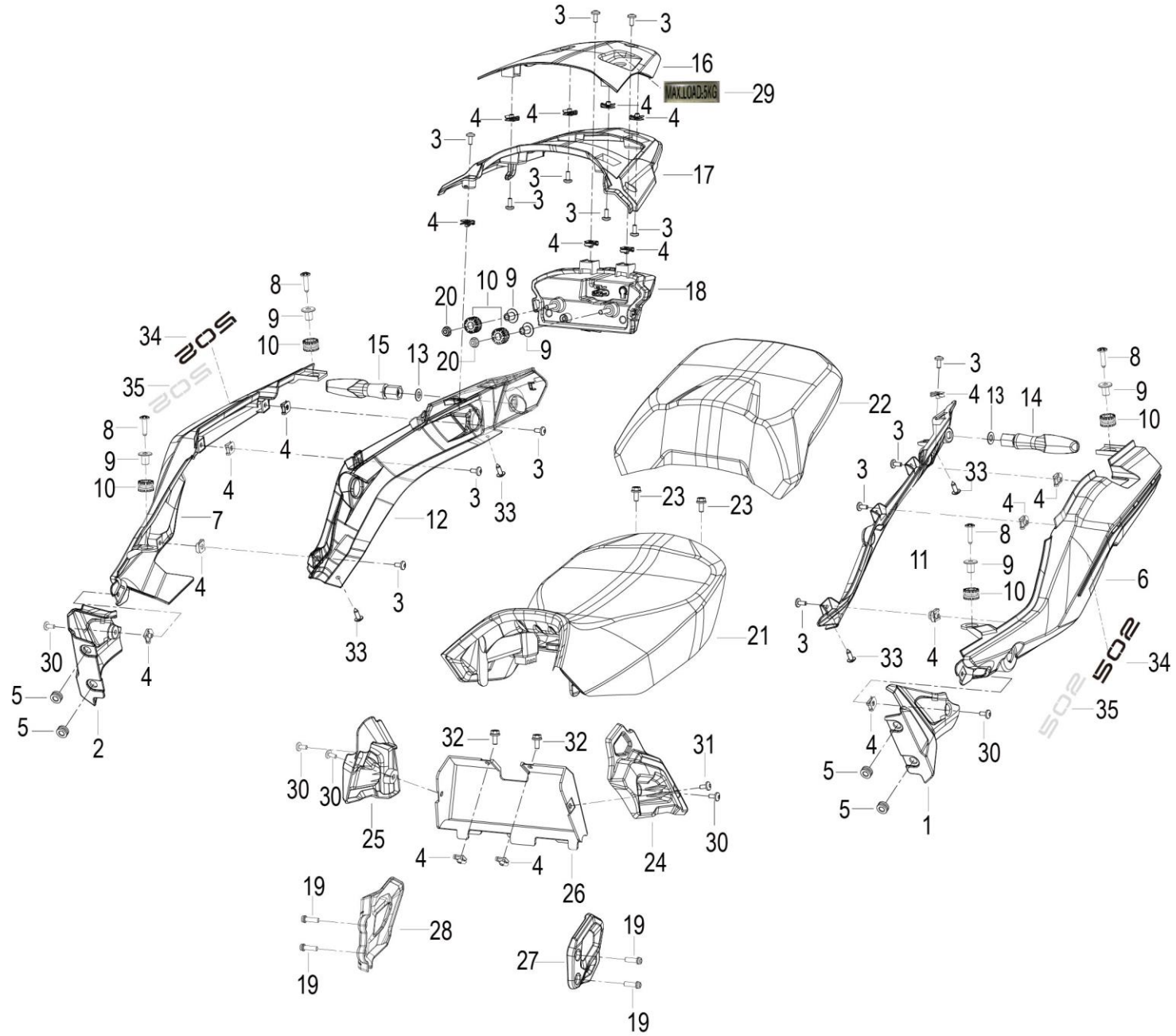
F17 散热器导流板 RADIATOR COVER ASSY.



NO.	Position No.	CODE	EN DESCRIPTION	Qty/Unit	Remarks
1	F17	65681P160000	RADIATOR FRONT COVER	1	
2	F17	08012P160000	SCREW M5x16	5	
3	F17	65624P160000	CARD NUT M5	21	
4	F17	65685P160000	RADIATOR PLATE	1	
5	F17	65682P160000	RADIATOR REAR PLATE	1	
6	F17	65683P160000	RADIATOR LEFT PROTECT PLATE	1	
7	F17	65684P160000	RADIATOR RIGHT PROTECT PLATE	1	
8	F17	08012P160000	SCREW M5x16	12	
9	F17	65307P16BA00	LEFT REAR AIR VENTS,SATIN BLACK BA	1	
10	F17	65308P16BA00	RIGHT REAR AIR VENTS,SATIN BLACK BA	1	
11	F17	B0284060250A	STAINLESS SCREW M6x25	2	
12	F17	14003S040010	BUSH	2	
13	F17	65821S010000	RUBBER BLOCK	2	
14	F17	65621P160000	LEFT FRONT PROTECT BOARD	1	
15	F17	65622P160000	RIGHT FRONT PROTECT BOARD	1	
16	F17	65632P16WF00	LEFT FRONT SIDE COVER,WHITE WF,WITHOUT STICKER	1	
16	F17	65632P16TL00	LEFT FRONT SIDE COVER,RED TL,WITHOUT STICKER	1	
16	F17	65632P16JH00	LEFT FRONT SIDE COVER,GREY JH,WITHOUT STICKER	1	
16	F17	65632P16004Z	LEFT FRONT SIDE COVER,WHITE WF,WITH STICKER	1	
16	F17	65632P16005Z	LEFT FRONT SIDE COVER,RED TL,WITH STICKER	1	
16	F17	65632P16006Z	LEFT FRONT SIDE COVER,GREY JH,WITH STICKER	1	
17	F17	65633P16WF00	RIGHT FRONT SIDE COVER,WHITE WF,WITHOUT STICKER	1	
17	F17	65633P16TL00	RIGHT FRONT SIDE COVER,RED TL,WITHOUT STICKER	1	
17	F17	65633P16JH00	RIGHT FRONT SIDE COVER,GREY JH,WITHOUT STICKER	1	
17	F17	65633P16004Z	RIGHT FRONT SIDE COVER,WHITE WF,WITH STICKER	1	
17	F17	65633P16005Z	RIGHT FRONT SIDE COVER,RED TL,WITH STICKER	1	
17	F17	65633P16006Z	RIGHT FRONT SIDE COVER,GREY JH,WITH STICKER	1	

NO.	Position No.	CODE	EN DESCRIPTION	Qty/Unit	Remarks
18	F17	B02810601462	BOLT M6x14	4	
19	F17	05512P16WF00	RIGHT STICKER	1	
20	F17	05514P16WF01	RIGHT STICKER II	1	
21	F17	05511P16WF00	LEFT STICKER	1	
22	F17	05513P16WF01	LEFT STICKER II	1	
23	F17	05531P16WF00	TRK STICKER	2	
24	F17	05512P16JH00	RIGHT STICKER	1	
25	F17	05514P16JH01	RIGHT STICKER II	1	
26	F17	05511P16JH00	LEFT STICKER	1	
27	F17	05513P16JH01	LEFT STICKER II	1	
28	F17	05531P16JH00	TRK STICKER	2	
29	F17	05512P16TL00	RIGHT STICKER	1	
30	F17	05511P16TL00	LEFT STICKER	1	
31	F17	05531P16TL00	TRK STICKER	2	

F18 护板 FRAME COVER ASSY.

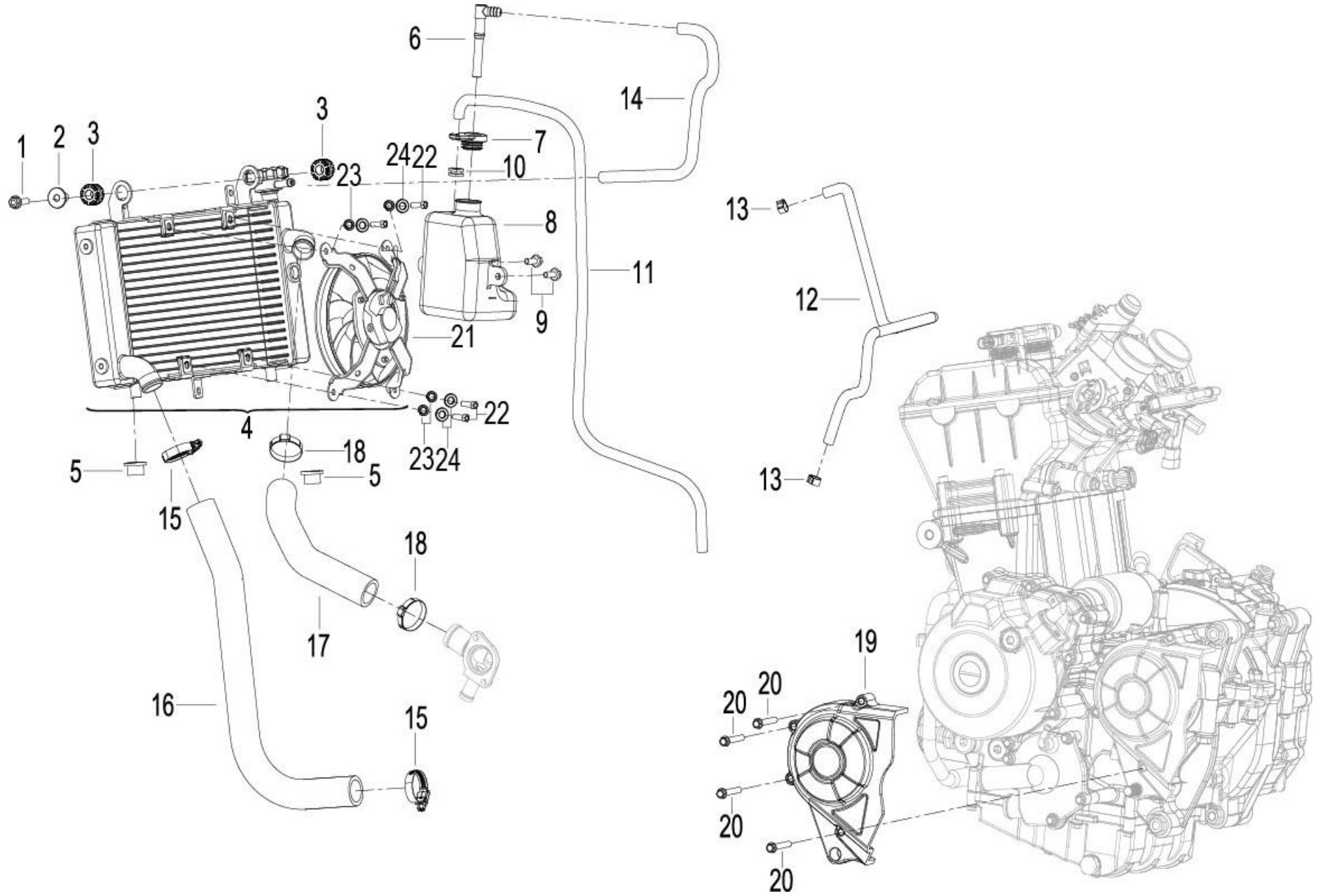


NO.	Position No.	CODE	EN DESCRIPTION	Qty/Unit	Remarks
1	F18	65601P160000	LEFT SIDE COVER	1	
2	F18	65602P160000	RIGHT SIDE COVER	1	
3	F18	08011P160000	SCREW M5×12	20	
4	F18	65624P160000	CARD NUT M5	18	
5	F18	43038P250000	RUBBER BUSH	4	
6	F18	65901P16WF00	LEFT TAIL COVER,WHITE WF,WITHOUT STICKER	1	
6	F18	65901P16TL00	LEFT TAIL COVER,RED TL,WITHOUT STICKER	1	
6	F18	65901P16JH00	LEFT TAIL COVER,GREY JH,WITHOUT STICKER	1	
6	F18	65901P16001Z	LEFT TAIL COVER,WHITE WF,WITH STICKER	1	
6	F18	65901P16002Z	LEFT TAIL COVER,RED TL,WITH STICKER	1	
6	F18	65901P16003Z	LEFT TAIL COVER,GREY JH,WITH STICKER	1	
7	F18	65902P16WF00	RIGHT TAIL COVER,WHITE WF,WITHOUT STICKER	1	
7	F18	65902P16TL00	RIGHT TAIL COVER,RED TL,WITHOUT STICKER	1	
7	F18	65902P16JH00	RIGHT TAIL COVER,GREY JH,WITHOUT STICKER	1	
7	F18	65902P16001Z	RIGHT TAIL COVER,WHITE WF,WITH STICKER	1	
7	F18	65902P16002Z	RIGHT TAIL COVER,RED TL,WITH STICKER	1	
7	F18	65902P16003Z	RIGHT TAIL COVER,GREY JH,WITH STICKER	1	
7	F18	B0284060250A	STAINLESS SCREW M6×25	4	
9	F18	14003S040010	BUSH	4	
10	F18	65821S010000	RUBBER BLOCK	6	
11	F18	65911P160000	LEFT LOWER REAR COVER	1	
12	F18	65912P160000	RIGHT LOWER REAR COVER	1	
13	F18	08023P250000	WASHER $\Phi 10.5 \times \Phi 19 \times 0.8$	2	
14	F18	81500P160001	REAR LEFT TURN SIGNAL LIGHT	1	
15	F18	81700P160001	REAR RIGHT TURN SIGNAL LIGHT	1	
16	F18	65605P16BA00	UPPER CONNECT BOARD,SATIN BLACK	1	
17	F18	65606P16BA00	UNDER CONNECT BOARD,SATIN BLACK	1	

NO.	Position No.	CODE	EN DESCRIPTION	Qty/Unit	Remarks
18	F18	82000P160000	TAIL LIGHT	1	
19	F18	B02810602062	BOLT M6×1×20	4	
20	F18	B04070600055	NUT M6	2	
21	F18	51100P160002	FRONT SEAT ASSY	1	
22	F18	51200P160001	REAR SEAT ASSY	1	
23	F18	B01090601665	BOLT M6×16	2	
24	F18	65693P160000	FRAME LEFT BOARD	1	
25	F18	65690P160000	FRAME RIGHT BOARD	1	
26	F18	65695P160000	CONNECT BOARD	1	
27	F18	58211P160000	LEFT COVER	1	
28	F18	58311P160000	RIGHT COVER	1	
29	F18	05592T430000	STICKER	1	
30	F18	08012P160000	SCREW M5×16	5	
31	F18	B0283060146H	SCREW M6×14	1	
32	F18	B01090601262	BOLT M6×12	2	
33	F18	B0507420130H	TAPPING SCREW ST4.2×13	4	
34	F18	05571P16WF00	BLACK 502 STICKER	2	
35	F18	05571P16JH00	SILVER 502 STICKER	2	

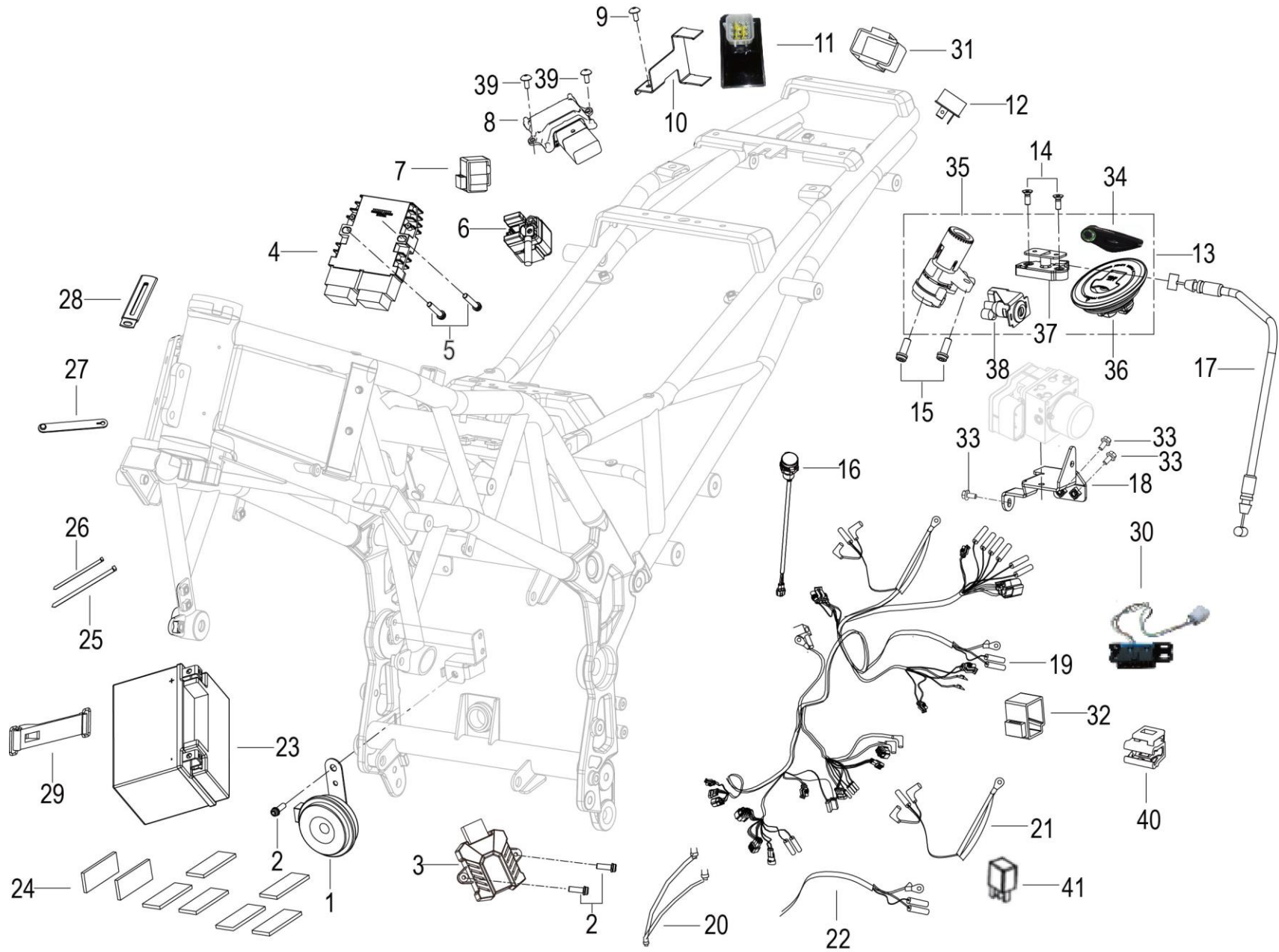
NO.	Position No.	CODE	EN DESCRIPTION	Qty/Unit	Remarks
1	F19	65731P160000	REAR FENDER FORESIDE	1	
2	F19	65624P160000	CARD NUT M5	4	
3	F19	B02830600862	BOLT M6x8	2	
4	F19	65801T850100	INSERT ST4.2	4	
5	F19	08011P160000	SCREW M5x12	1	
6	F19	B0205060406A	SCREW M6x40	2	
7	F19	65770P160000	REAR FENDER BRACKET	1	
8	F19	65701P160000	REAR FENDER	1	
9	F19	51103V030000	RUBBER PLUG	1	
10	F19	86500B720001	REAR REFLECTOR	1	
11	F19	08202P160000	LICENSE PLATE BRACKET	1	
12	F19	05577P250000	REAR LICENSE PLATE	1	
13	F19	B01090601664	BOLT M6x16	4	
14	F19	B04810600052	NUT M6x1	3	
15	F19	65761P160000	REAR FENDER UNDERPART	1	
16	F19	B0284060250A	STAINLESS SCREW M6x25	3	
17	F19	B0283060146H	SCREW M6x14	2	
18	F19	B0407060005H	NUT M6	2	
19	F19	65703P160000	REAR FEND RUBBER	1	

F20 COOLING SYSTEM ASSY.



NO.	Position No.	CODE	EN DESCRIPTION	Qty/Unit	Remarks
1	F20	B01090602562	BOLT M6x25	1	
2	F20	59452P250000	SPACER	1	
3	F20	65821S010000	RUBBER BLOCK	2	
4	F20	279126280020	RADIATOR	1	
5	F20	270011170000	DAMPER	2	
6	F20	14039S040000	PIPE	1	
7	F20	14030S040000	RESERVE TANK CAP	1	
8	F20	06111P250000	RESERVE TANK	1	
9	F20	B01090601262	BOLT M6x12	2	
10	F20	43038P250000	RUBBER BUSH	1	
11	F20	06224P250000	RESERVE TANK OVER FLOW PIPE	1	
12	F20	06226P250000	OVER FLOW PIPE	1	
13	F20	50376S010000	CLIP 10	2	
14	F20	06223P160000	RADIATOR OVER FLOW PIPE	1	
15	F20	270026110000	STAINLESS CLAMP	2	
16	F20	06211P100000	INLET HOSE	1	
17	F20	06251P160000	OUTLET HOSE	1	
18	F20	49650S010000	CLAMP 033.1-706R	2	
19	F20	169046280000	ENGINE LEFT REAR COVER	1	
20	F20	B01070603065	BOLT M6x30	4	
21	F20	270786280000	RADIATOR FAN ASSY	1	
22	F20	B0101060102H	BOLT M6x10	4	
23	F20	B0700000060H	SPRING WASHER 6	4	
24	F20	B0703000060H	WASHER 6	4	

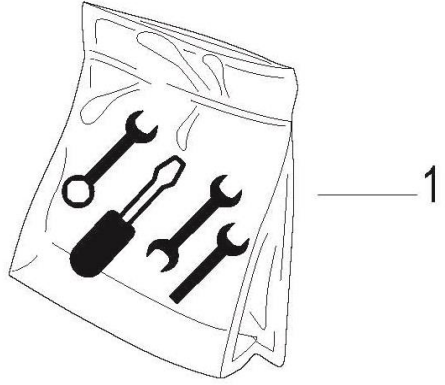
F21 电器 ELECTRICAL EQUIPMENT ASSY.



NO.	Position No.	CODE	EN DESCRIPTION	Qty/Unit	Remarks
1	F21	95100P160001	HORN	1	
2	F21	B02810801662	BOLT M8x16	1	
3	F21	96350P150000	METER CONVERTER	1	
4	F21	299066060000	RECTIFIER	1	
5	F21	B01090603065	BOLT M6x30	2	
6	F21	94000S010000	STARTER RELAY	1	
7	F21	91210P250000	SIDE TURN OFF	1	
8	F21	96C00P160001	ECU	1	
9	F21	08011P160000	SCREW M6x12	1	
10	F21	57437P160000	FLASHER MOUNTING BOARD	1	
11	F21	96400H390001	FLASHER	1	
12	F21	96700K060000	STARTER DIODE	1	
13	F21	88000P160000	LOCK ASSY	1	
14	F21	B02010602525	SCREW M6x25	2	
15	F21	B02260801662	SCREW M8x16	2	
16	F21	92950H380001	USB ASSY	1	
17	F21	58900P160000	SEAT LOCK CABLE ASSY	1	
18	F21	58670P160000	ABS BRACKET	1	
19	F21	92000P160006	WIRE HARNESS ASSY,AHO	1	
20	F21	92300P160000	MOTOR LINE	1	
21	F21	92200P160000	POWER CABLE	1	
22	F21	92500P160000	EARTH WIRE	1	
23	F21	AC-YTX9-BS(HW)	BATTERY	1	
24	F21	58752P250000	BATTERY SPONGE CUSHION	5	
25	F21	96002J000000	BAND 200MM	8	
26	F21	40098B450000	BNAD	10	
27	F21	96003P250000	RUBBER CLIP	2	

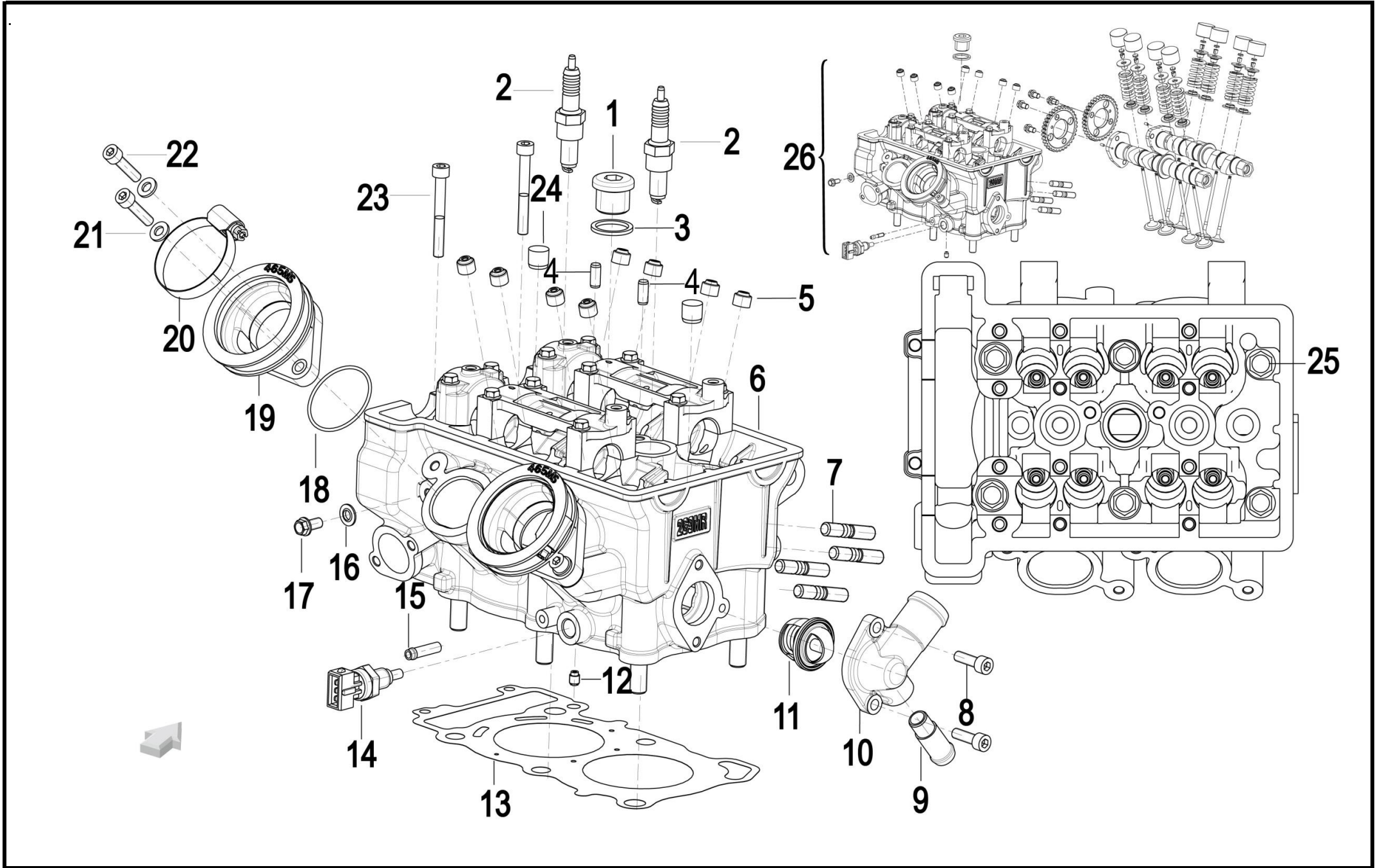
NO.	Position No.	CODE	EN DESCRIPTION	Qty/Unit	Remarks
28	F21	58430J000000	CLIP ASSY	5	
29	F21	02200J0000A0	BATTERY BAND	1	
30	F21	92940P100000	OBD WIRE	1	
31	F21	96007B720001	JACKET,FLASHER	1	
32	F21	98901S010000	RUBBER	1	
33	F21	B01090601665	BOLT M6×16	3	
34	F21	88900P25092X	KEY NUT	1	
35	F21	88100P160000	POWER LOCK	1	
36	F21	88400V020001	FUEL TANK LOCK	1	
37	F21	58800S010000	SEAT LOCK SEAT	1	
38	F21	88800T420000	SEAT LOCK	1	
39	F21	B02810501462	SCREW M5×0.8×14	2	
40	F21	96010P160000	BAND CARD	1	
41	F21	92039S010000	RELAY,HEADLIGHT	5	

F22 随车工具 TOOL KIT ASSY.



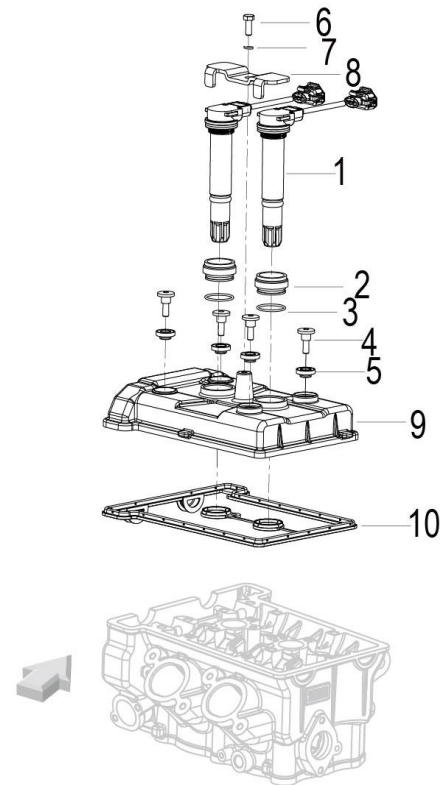
NO.	Position No.	CODE	EN DESCRIPTION	Qty/Unit	Remarks
1	F22	02100P250004	TOOL KIT ASSY	1	

E01 CYLINDER HEAD(气缸盖分总成)



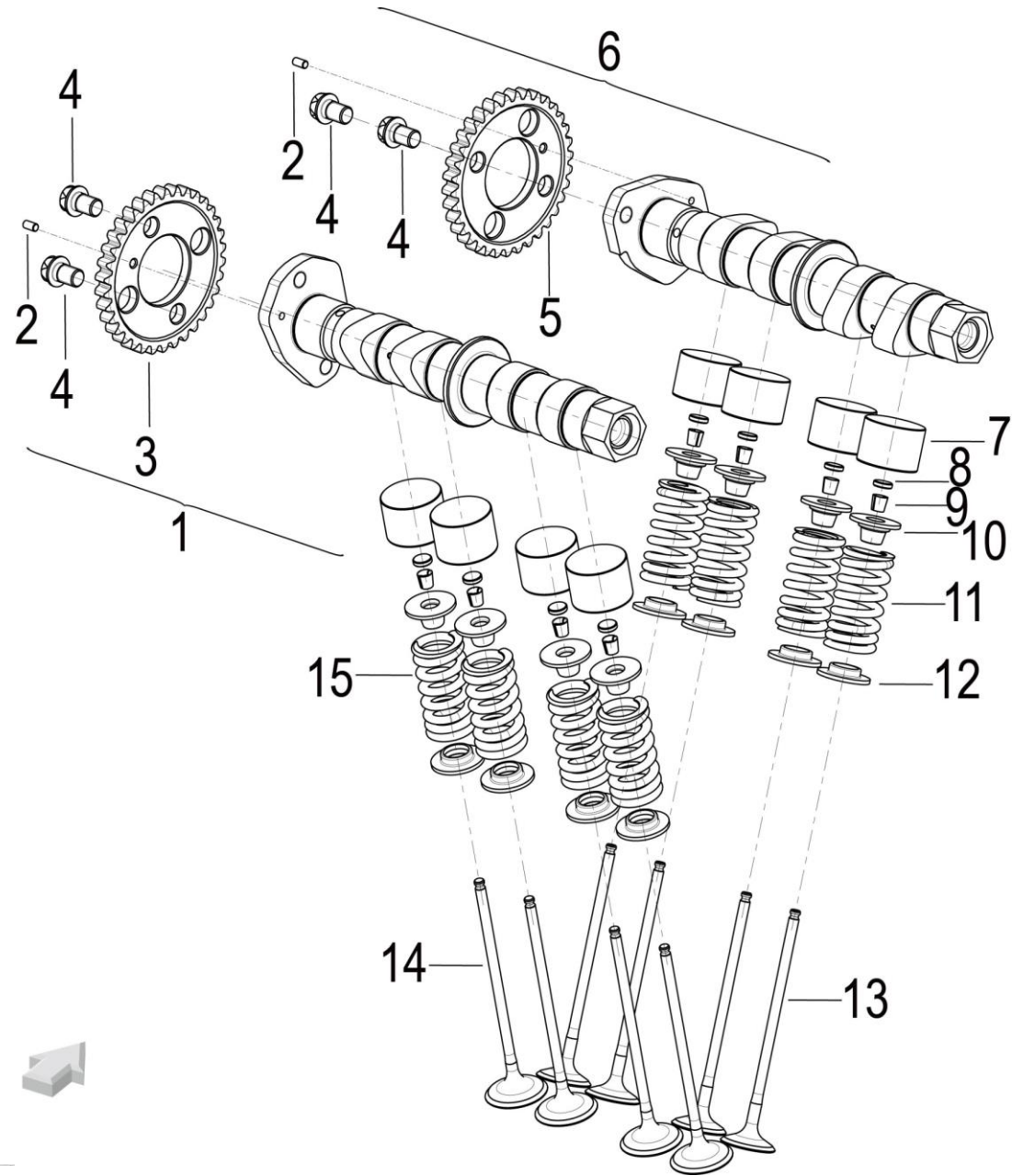
NO.	Position No.	CODE	EN DESCRIPTION	Qty/Unit	NOTES
1	E01	150136030000	SCREW STOPPER	1	
2	E01	AC-005-1201-0009	SPARK PLUG	2	
3	E01	100126030000	WATER JACKET LOCATING SCREW GASKET	1	
4	E01	B091406014A0	DOWEL PIN	2	
5	E01	120126030000	OIL SEAL ASSY	8	
6	E01	109056280010	CYLINDER HEAD ASSY	1	
7	E01	100046090000	SHORT STUD M8	4	
8	E01	270156030000	BOLT M6X20	2	
9	E01	120026280000	PLUG	1	
10	E01	270776280020	THERMOSTAT COVER	1	
11	E01	279165050000	WATER THERMOSTAT	1	
12	E01	120166220000	BOLT	1	
13	E01	109076280000	CYLINDER HEAD GASKET	1	
14	E01	270013160002	COOLANT TEMPERATURE SENSOR	1	
15	E01	100106030000	WATER PIPE	1	
16	E01	120133090002	WASHER	1	
17	E01	160106030000	BOLT M6X12	1	
18	E01	160056090000	O-RING 41X1.78	2	
19	E01	280146030000	AIR DUCT	2	
20	E01	280426030000	CLAMP ASSY	2	
21	E01	280306060000	WASHER 6.4X12.5X1.6	4	
22	E01	B02050602565	SCREW M6X25	4	
23	E01	B02050605085	SCREW M6X50	2	
24	E01	100306220000	PLUG	2	
25	E01	100236030000	COMBINATION BOLT	6	
26	E01	109066280010	CYLINDER HEAD COMP	1	

E02 CYLINDER HEAD COVER ASSY(气缸盖罩分总成)



NO.	Position No.	CODE	EN DESCRIPTION	Qty/Unit	NOTES
1	E02	96200P250000	IGNITION COIL	2	
2	E02	100286030000	HIGH-PRESSURE BUNDLE SLEEVE	2	
3	E02	B190102650B0	O-RING	2	
4	E02	110026030000	DOWEL SCREW	4	
5	E02	100066030000	SEAL WASHER ASSY.	4	
6	E02	B01070601665	BOLT	1	
7	E02	B07000000604	SPRING WASHER 6	1	
8	E02	100276220000	COIL POSITIONING CLIP	1	
9	E02	109016220010	CYLINDER HEAD COVER	1	
10	E02	100146220000	CYLINDER HEAD COVER GASKET	1	

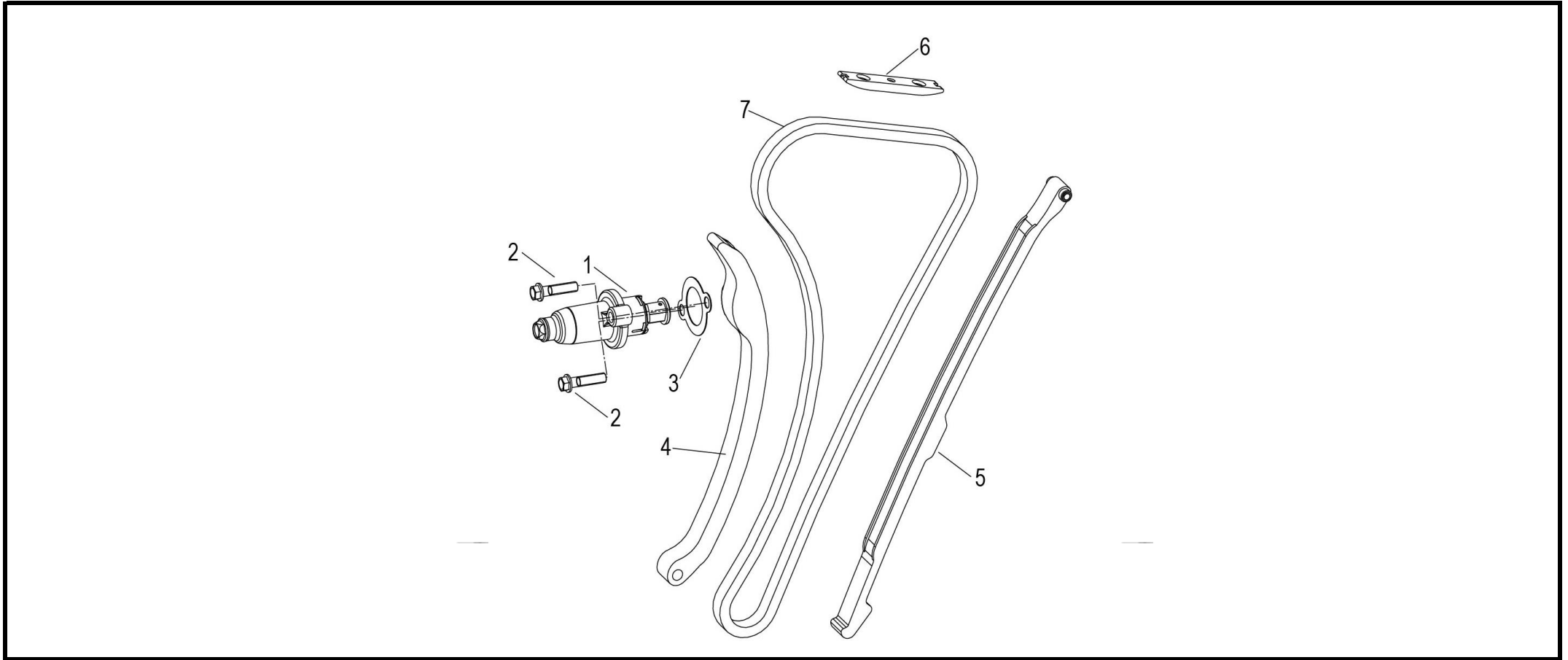
E03 VALVE MECHANISM SUB-ASSEMBLY(配气机构分总成)



NO.	Position No.	CODE	EN DESCRIPTION	Qty/Unit	NOTES
1	E03	129106280030	CAMSHAFT ESSY.,IN	1	
2	E03	B090103006A4	DOWEL,PIN 3X6	2	
3	E03	129036220001	SPROCKET,INTAKE	1	
4	E03	120156030000	BOLT	4	
5	E03	129036220000	SPROCKET,EXHAUST	1	
6	E03	129096280030	EXHAUST CAMSHAFT ASSY	1	
7	E03	120106030000	TAPPET	8	
8	E03	120096030000	VALVE ADJUSTING WASHE,Δ1.600MM	8	
8	E03	120096030020	VALVE ADJUSTING WASHE,Δ1.625MM	8	
8	E03	120096030021	VALVE ADJUSTING WASHE,Δ1.650MM	8	
8	E03	120096030022	VALVE ADJUSTING WASHE,Δ1.675MM	8	
8	E03	120096030023	VALVE ADJUSTING WASHE,Δ1.700MM	8	
8	E03	120096030024	VALVE ADJUSTING WASHE,Δ1.725MM	8	
8	E03	120096030025	VALVE ADJUSTING WASHE,Δ1.750MM	8	
8	E03	120096030026	VALVE ADJUSTING WASHE,Δ1.775MM	8	
8	E03	120096030027	VALVE ADJUSTING WASHE,Δ1.800MM	8	
8	E03	120096030028	VALVE ADJUSTING WASHE,Δ1.825MM	8	
8	E03	120096030029	VALVE ADJUSTING WASHE,Δ1.850MM	8	
8	E03	120096030030	VALVE ADJUSTING WASHE,Δ1.875MM	8	
8	E03	120096030031	VALVE ADJUSTING WASHE,Δ1.900MM	8	
8	E03	120096030032	VALVE ADJUSTING WASHE,Δ1.925MM	8	
8	E03	120096030033	VALVE ADJUSTING WASHE,Δ1.950MM	8	
8	E03	120096030034	VALVE ADJUSTING WASHE,Δ1.975MM	8	
8	E03	120096030035	VALVE ADJUSTING WASHE,Δ2.000MM	8	
8	E03	120096030036	VALVE ADJUSTING WASHE,Δ2.025MM	8	
8	E03	120096030037	VALVE ADJUSTING WASHE,Δ2.050MM	8	
8	E03	120096030038	VALVE ADJUSTING WASHE,Δ2.075MM	8	

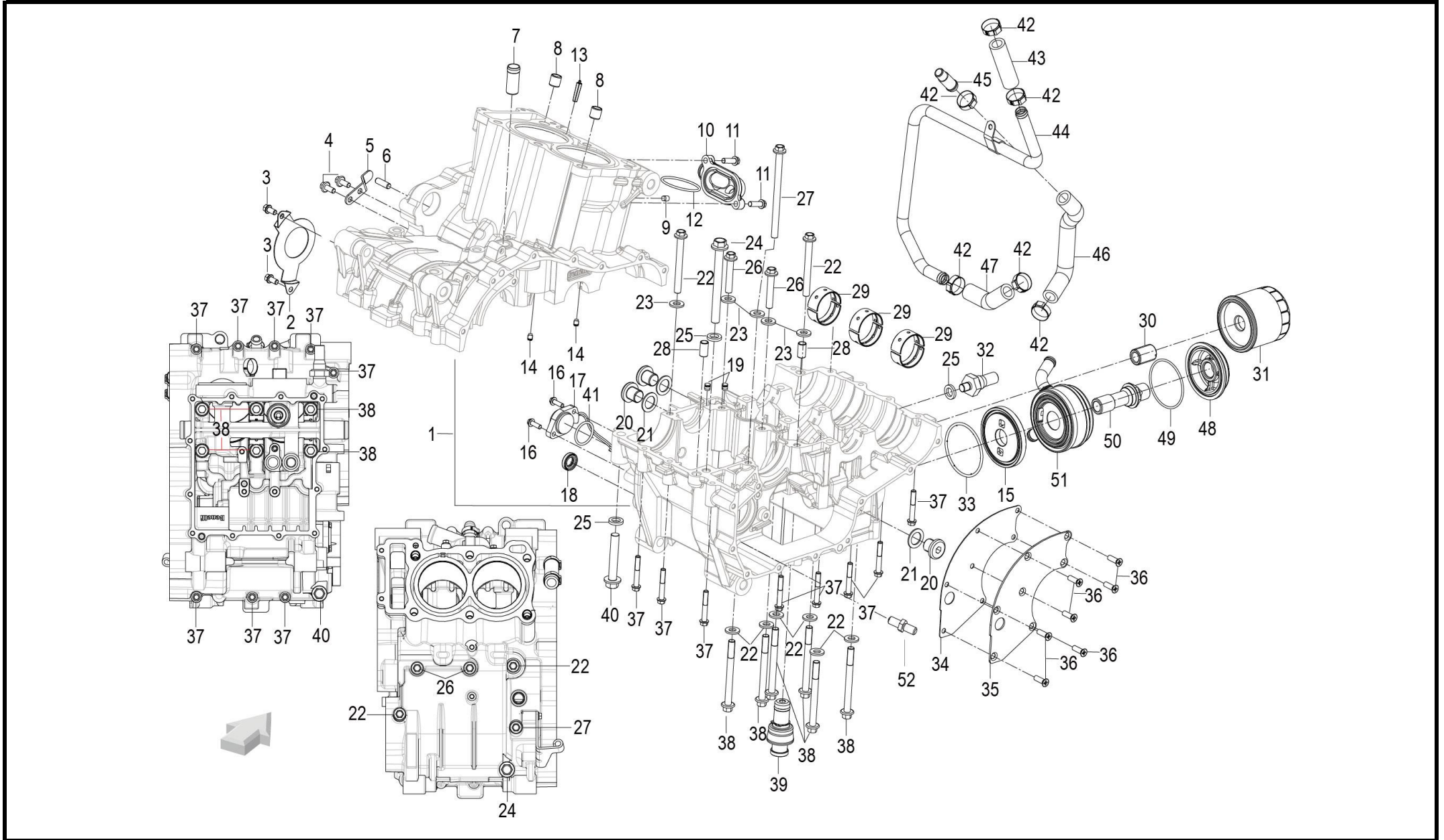
NO.	Position No.	CODE	EN DESCRIPTION	Qty/Unit	NOTES
8	E03	120096030039	VALVE ADJUSTING WASHE,Δ2.100MM	8	
8	E03	120096030040	VALVE ADJUSTING WASHE,Δ2.125MM	8	
8	E03	120096030041	VALVE ADJUSTING WASHE,Δ2.150MM	8	
8	E03	120096030042	VALVE ADJUSTING WASHE,Δ2.175MM	8	
8	E03	120096030043	VALVE ADJUSTING WASHE,Δ2.200MM	8	
8	E03	120096030044	VALVE ADJUSTING WASHE,Δ2.225MM	8	
8	E03	120096030045	VALVE ADJUSTING WASHE,Δ2.250MM	8	
8	E03	120096030046	VALVE ADJUSTING WASHE,Δ2.275MM	8	
9	E03	120086030000	COTTER,VALVE	16	
10	E03	129336220000	RETAINER,VALVE SPRING	8	
12	E03	129216220000	SEAT,VALVE SPRING	8	
13	E03	129196030000	VALVE,EXHAUST	4	
11	E03	120186220000	SPRING,UPPER VALVE	4	
14	E03	129186030000	VALVE,INTAKE	4	
15	E03	120176220000	SPRING,VALVE INLET	4	

E04 STRAINER UNIT ASSEMBLY(正时传动机构分总成)



NO.	Position No.	CODE	EN DESCRIPTION	Qty/Unit	NOTES
1	E04	140036030000	CAMSHAFT CHAIN TENSIONER	1	
2	E04	160106030120	BOLT M6X25	2	
3	E04	140176030000	WASHER	1	
4	E04	140026280010	REAR CHAIN GUIDE ASSY.	1	
5	E04	149026280000	FRONT CHAIN GUIDE	1	
6	E04	140186030000	CHAIN PLATE COMPONENTS	1	
7	E04	129026280000	CAMSHAFT CHAIN	1	

E05 CRANKCASE SUB-ASSY(曲轴箱分总成)

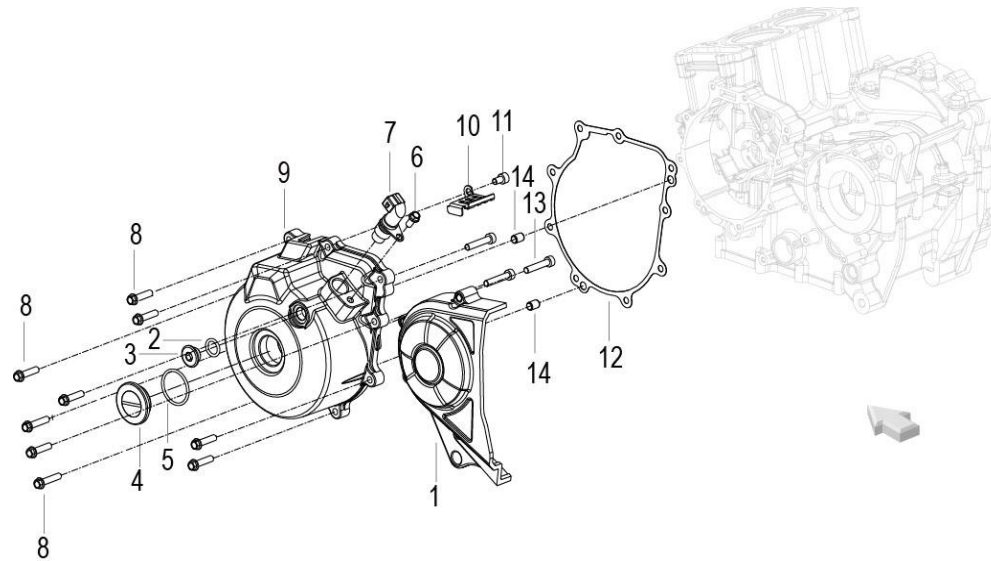


NO.	Position No.	CODE	EN DESCRIPTION	Qty/Unit	NOTES
1	E05	150056280010	CRANKCASE ASSY	1	

NO.	Position No.	CODE	EN DESCRIPTION	Qty/Unit	NOTES
2	E05	150346030000	SEAL PLATE	1	
3	E05	B0107060126H	BOLT M6X12	2	
4	E05	B01070601464	BOLT M6X14	2	
5	E05	150136220000	PRESS PLATE	1	
6	E05	150156220000	CHAIN PLATE GUIDE PIN	1	
7	E05	150146220000	PIPE	1	
8	E05	170236090000	DOWEL PIN 10.5x13x13	2	
9	E05	150103070000	PLUG	1	
10	E05	150166280010	INLET PIPE	1	
11	E05	270156030000	BOLT M6X20	2	
12	E05	150066030000	RING 46X2.4	1	
13	E05	150116220000	RUBBER PLUG	1	
14	E05	120166030000	BOLT	2	
15	E05	150126280000	OIL COOLER TIE-IN	1	
16	E05	150316030000	BOLT	2	
17	E05	150196030020	GEAR SENSOR	1	
18	E05	150025040000	OIL SEAL	1	
19	E05	150076280000	PLUG	2	
20	E05	150086030000	SCREW STOPPER M16	3	
21	E05	150086220000	WASHER M16	3	
22	E05	150316030050	BOLT M8X75	2	
23	E05	150156030000	WASHER M8	11	
24	E05	150316030090	BOLT M10X100	1	
25	E05	240056090000	GASKET 11x18x3	3	
26	E05	150316030030	BOLT M8X45	2	
27	E05	150316030070	BOLT M8X115	1	
28	E05	150056030000	DOWEL PIN	2	

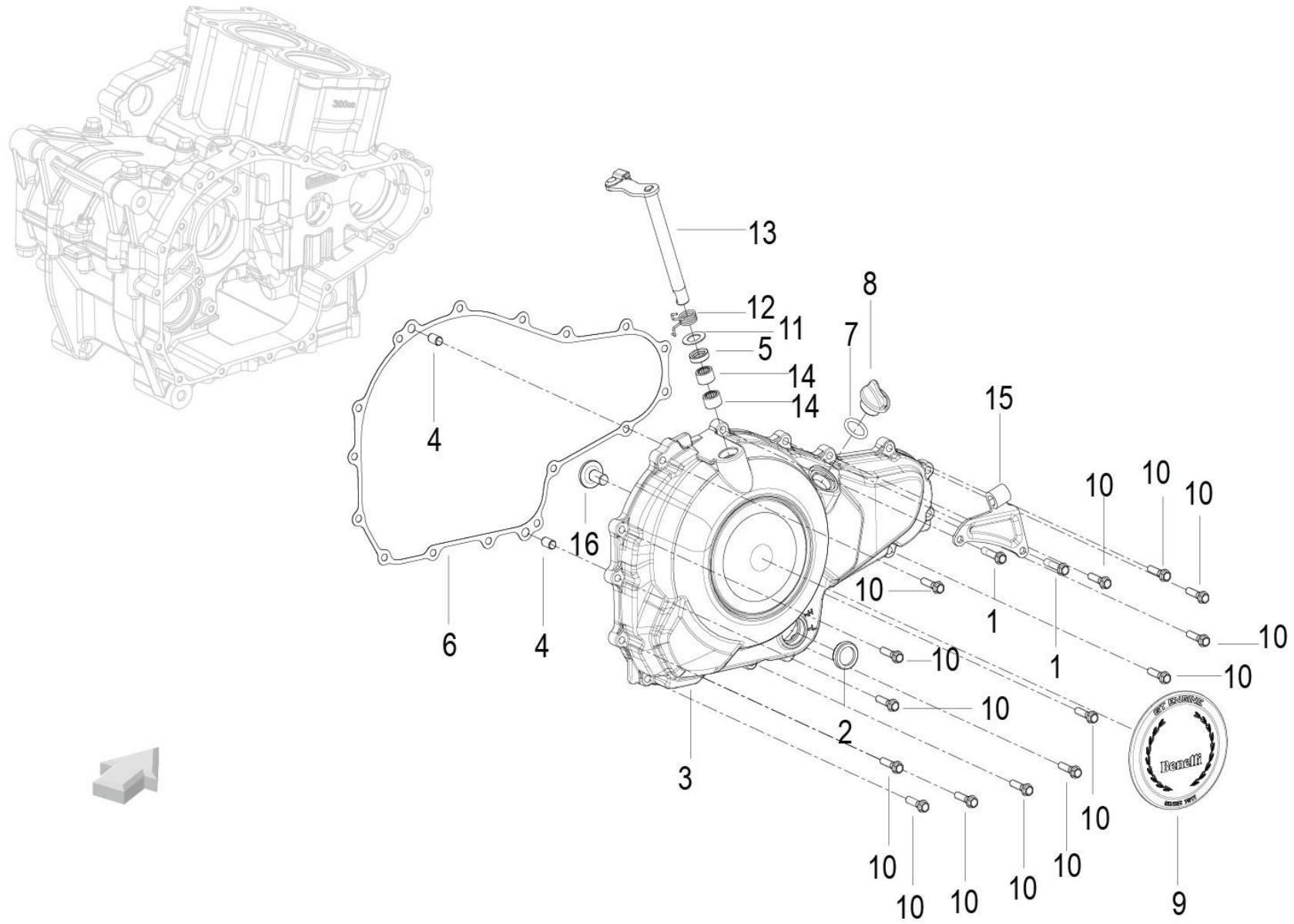
NO.	Position No.	CODE	EN DESCRIPTION	Qty/Unit	NOTES
29	E05	150026280030	BEARING,RED	6	
30	E05	160106110000	CONNECT BOLT	1	
31	E05	260146090010	OIL FILTER	1	
32	E05	240026090000	MINIMUM OIL PRESSURE SWITCH	1	
33	E05	270056030000	O RING	1	
34	E05	150036220000	BREATHING VALVE GASKET	1	
35	E05	150046220000	BREATHING VALVE SPACER	1	
36	E05	B02010601623	SCREW M6X16	7	
37	E05	150316030010	BOLT M6X40	8	
38	E05	B01070808591	BOLT M8X85	6	
39	E05	260126030010	REDUCING VALVE	1	
40	E05	150316030080	BOLT M10X60	1	
41	E05	B190102580B0	O RING	1	
42	E05	150226280000	CLIP	6	
43	E05	150186280000	FLEXIBLE PIPE I	1	
44	E05	150216280000	PIPE ASSEMBLY	1	
45	E05	150176280000	PIPE	1	
46	E05	150206280000	FLEXIBLE PIPE III	1	
47	E05	150196280000	FLEXIBLE PIPE II	1	
48	E05	150156280010	OIL COOLER COVER	1	
49	E05	120055050000	O RING	1	
50	E05	150146280000	OIL COOLER BOLT	1	
51	E05	150136280000	OIL COOLER ASSY	1	
52	E05	150116030000	VARIABLE GEAR ARM POSITIONING SHAFT	1	

E06 LEFT COVER ASSY (左盖分总成)



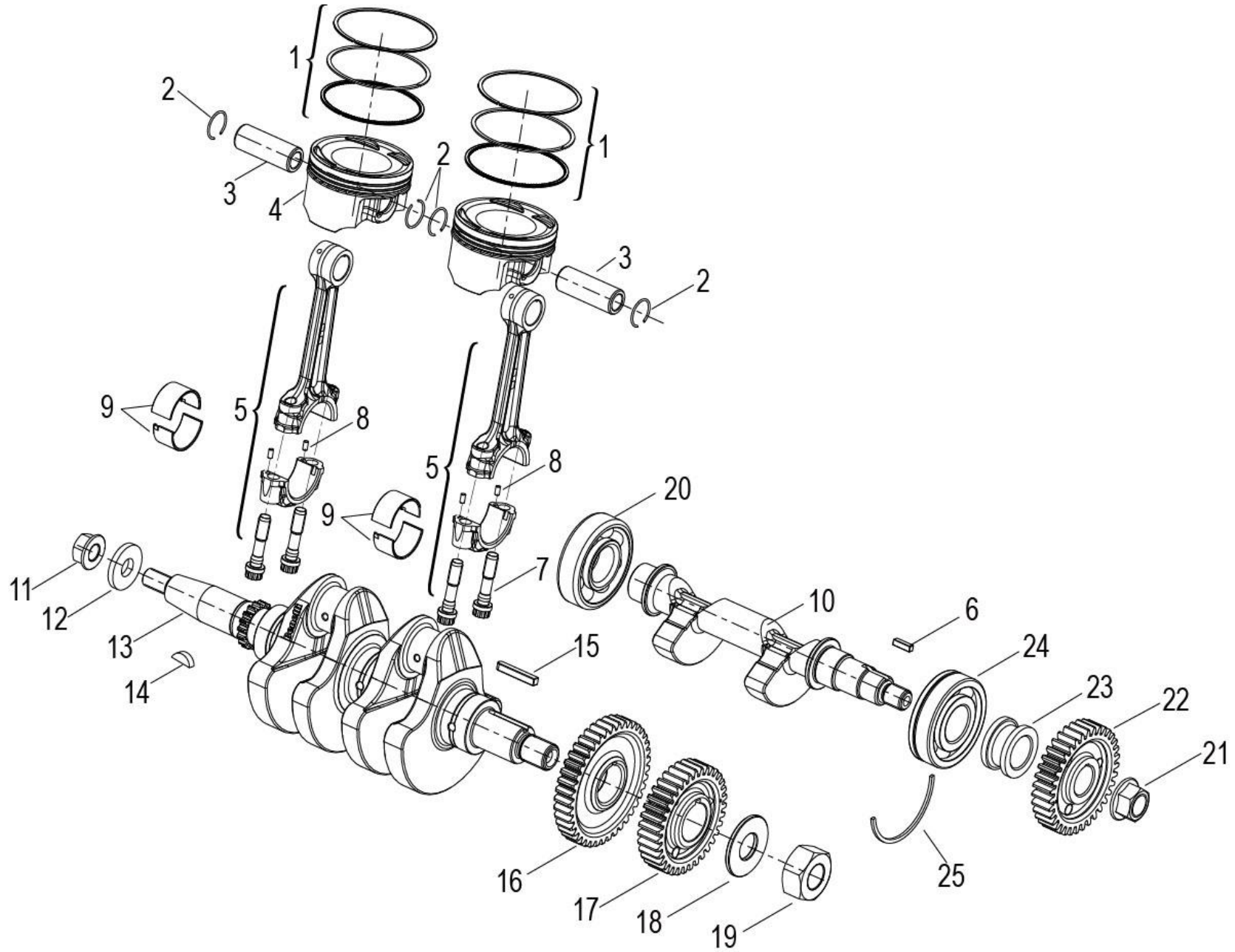
NO.	Position No.	CODE	EN DESCRIPTION	Qty/Unit	NOTES
1	E06	169046280000	LEFT BACK COVER	1	
2	E06	B190101330B0	O RING 13.3X2.65	1	
3	E06	160044230000	PLUG SEE	1	
4	E06	169166030030	TIMING MARK ACCESSING SCREW	1	
5	E06	160076030000	O RING 32X2.5	1	
6	E06	160106030000	BOLT M6X12	1	
7	E06	290016220000	PHASE SENSOR	1	
8	E06	160106030120	SCREW M6x25	9	
9	E06	169026220010	LEFT COVER	1	
10	E06	160046030000	CLAMP PRESSURE	1	
11	E06	B02050601063	SCREW M6X10	1	
12	E06	169076220000	LEFT COVER GASKET	1	
13	E06	B02050603263	SCREW M6X32	3	
14	E06	160056030000	DOWEL PIN	2	

E07 RIGHT COVER ASSY (右盖分总成)



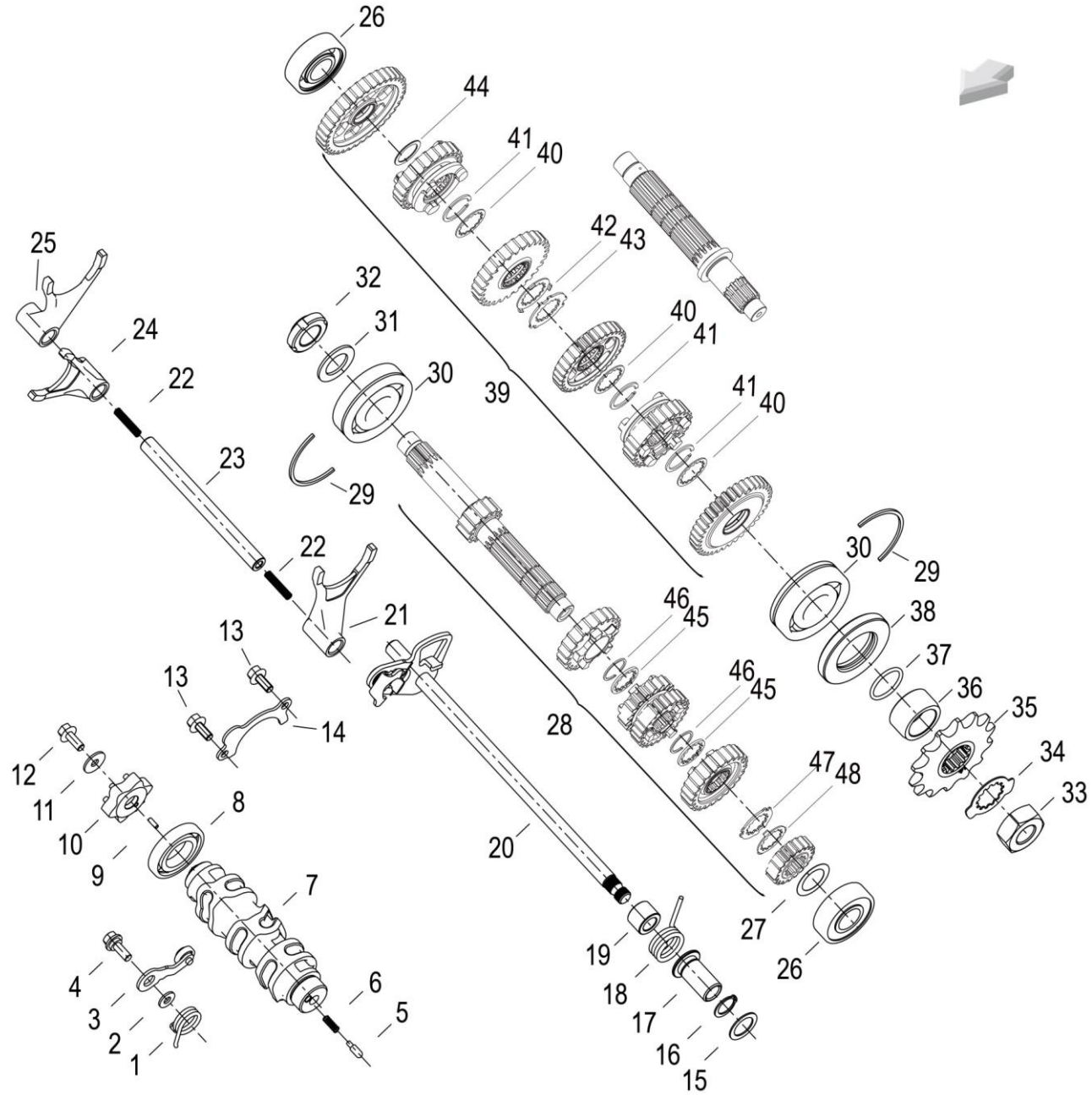
NO.	Position No.	CODE	EN DESCRIPTION	Qty/Unit	NOTES
1	E07	270016220000	BOLT M6X28	2	
2	E07	160083090000	OIL LEVEL INDICATOR	1	
3	E07	169106280010	RIGHT COVER	1	
4	E07	160073070000	DOWEL PIN	2	
5	E07	200001050000	OIL SEAL	1	
6	E07	169116220010	RIGHT COVER GASKET	1	
7	E07	160063070000	O-RING	1	
8	E07	160063090050	OIL FILLER PLUG	1	
9	E07	05597K740000	THE ENGINE SIDE COVER PLATE	1	
10	E07	160106030120	BOLT M6X25	14	
11	E07	200056030000	WASHER 12X22X0.8	1	
12	E07	200046030000	CLUTCH RELEASE SPRING	1	
13	E07	200096280010	OPERATING LEVER ASSY	1	
14	E07	B1212K121002	NEEDLE ROLLER BEARING 12X16X10	2	
15	E07	160016280010	CLUTCH STEEL CABLE SUPPORT	1	
16	E07	200066280000	HANDSPIKE	1	

E08 PISTON,CONNECTING ROD & CRANKSHAFT ASSY(活塞连杆曲轴平衡轴分总成)



NO.	Position No.	CODE	EN DESCRIPTION	Qty/Unit	NOTES
1	E08	170046280000	PISTON RING ASSY	2	
2	E08	179155050000	PISTON PIN CLIP	4	
3	E08	179146280010	PISTON PIN	2	
4	E08	179136280010	PISTON	2	
5	E08	179036280000	CONNECTING ROD ASSY.	2	
6	E08	B11130044014	FLAT KEY	1	
7	E08	170036280000	SCREW	4	
8	E08	B091403006A1	PIN	4	
9	E08	179076280000	BEARING,BLUE	4	
9	E08	179076280010	BEARING,GREEN	4	
9	E08	179076280020	BEARING,YELLOW	4	
10	E08	179256280010	BALANCE SHAFT	1	
11	E08	27002305001X	NUT M12X1.25	1	
12	E08	170075040000	WASHER	1	
13	E08	179016280010	CRANKSHAFT ASSY	1	
14	E08	170065050000	KEY,WOODRUFF	1	
15	E08	170096220000	FLAT KEY	1	
16	E08	170016280010	DRIVING GEAR	1	
17	E08	179236220000	BALANCER DRIVE GEAR	1	
18	E08	170016110000	WASHER	1	
19	E08	170126220000	NUT M18X1.5	1	
20	E08	B12016030503	BALL BEARING	1	
21	E08	170186220000	NUT M14X1.5	1	
22	E08	179366220000	BALANCER DRIVEN GEAR ASSY	1	
23	E08	170026280000	COLLAR	1	
24	E08	210136030010	ROLLER BEARING	1	
25	E08	210186030000	STEEL WIRE DUMPING RING	1	

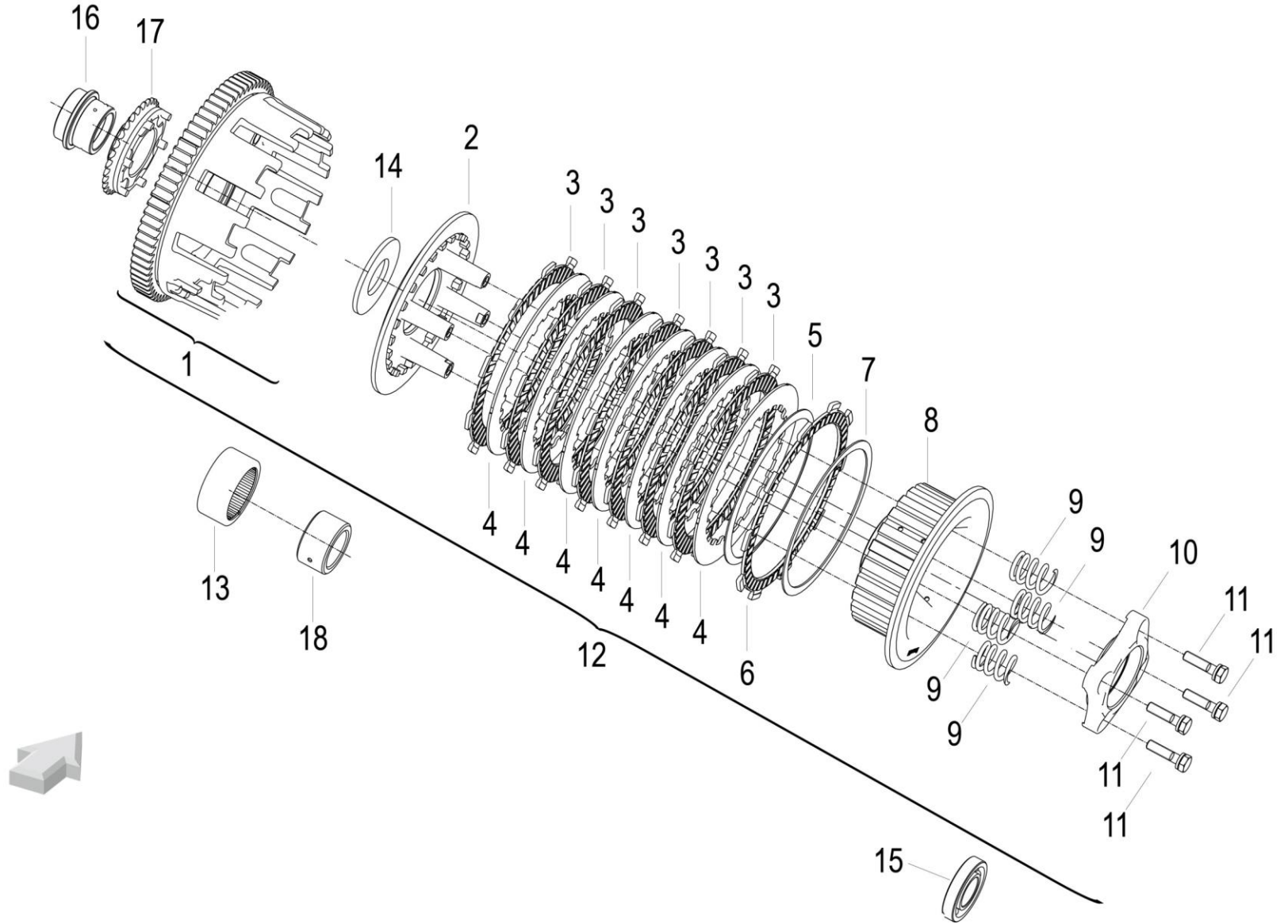
E09 GEAR SHIFT MECHANISM ASSEMBLY (变速换档机构分总成)



NO.	Position No.	CODE	EN DESCRIPTION	Qty/Unit	NOTES
1	E09	219016220000	STOPPER LEVER SPRING	1	
2	E09	210343090000	WASHER 6.2x14x1.5	1	
3	E09	219046220000	STOPPER LEVER ASSY	1	
4	E09	210303420000	SHIFT POSITIONING ROLLER ARM AXLE	1	
5	E09	210323090000	SHIFT PROD	1	
6	E09	210313090000	PROD SPRING	1	
7	E09	219056030000	SHIFT DRUM	1	
8	E09	B12016600501	BEARING 16005	1	
9	E09	210356030000	DOWEL PIN	1	
10	E09	210366030000	SEGMENT	1	
11	E09	210376030000	WASHER	1	
12	E09	B01070601563	BOLT,FLANGE,M6x15	1	
13	E09	B0109060146H	BOLT,FLANGE,M6x14	2	
14	E09	210036030000	PLATE,BEARING SETTING	1	
15	E09	210406030000	WASHER	1	
16	E09	B08010001701	CIRCLIP 17	1	
17	E09	210396030000	SLEEVE,STOP ARM	1	
18	E09	210056030000	SHIFT SHAFT SPRING	1	
19	E09	210046030000	SHIFT SHAFT SLEEVE	1	
20	E09	219066280000	SHIFT SHAFT ASSY	1	ALT: 219066280010
21	E09	219106030000	LEFT SHIFT FORKS	1	
22	E09	210016030000	SPRING,SHAFT,SHIFT FORK	2	
23	E09	219086030000	SHIFT FORK SHAFT	1	
24	E09	219116030000	MIDDLE SHIFT FORK	1	
25	E09	219126030000	RIGHT SHIFT FORK	1	
26	E09	B12016020406	BEARING 6204-Z	2	
27	E09	210566030010	WASHER	1	

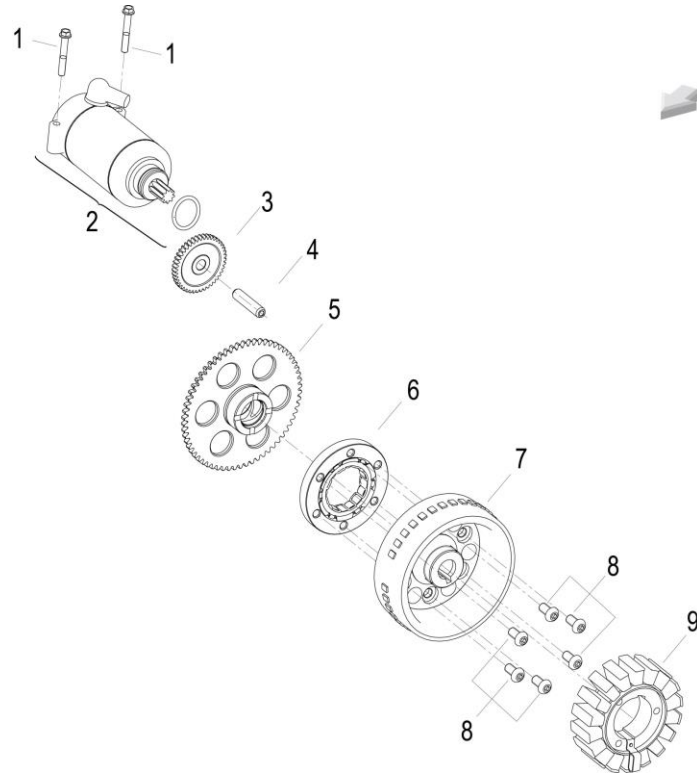
NO.	Position No.	CODE	EN DESCRIPTION	Qty/Unit	NOTES
28	E09	219136280000	PRIMARY SHAFT ASSY	1	
29	E09	210186030000	BEARING CIRCLIP	2	
30	E09	210136030010	BEARING	2	
31	E09	210156030001	WASHER	1	
32	E09	210166030001	SPANER NUT	1	
33	E09	210196030000	NUT M18x1	1	
34	E09	210306030000	WASHER	1	
35	E09	219296030000	DRIVE SPROCKET	1	
36	E09	210206030000	SHAFT SLEEVE 25	1	
37	E09	210316030000	O RING 25x2.5	1	
38	E09	210216030010	OIL SEAL	1	
39	E09	219216030000	SECONDARY SHAFT ASSY	1	
40	E09	210236030000	WASHER	3	
41	E09	210246030000	CIRCLIP 28	3	
42	E09	210276030000	WASHER	1	
43	E09	210266030000	WASHER	1	
44	E09	210326030000	WASHER 22x30x1	1	
45	E09	210096030000	WASHER	2	
46	E09	210106060000	CIRCLIP 24	2	
47	E09	210076030000	WASHER	1	
48	E09	210066030000	WASHER	1	

E10 CLUTCH SYSTEM(离合器分总成)



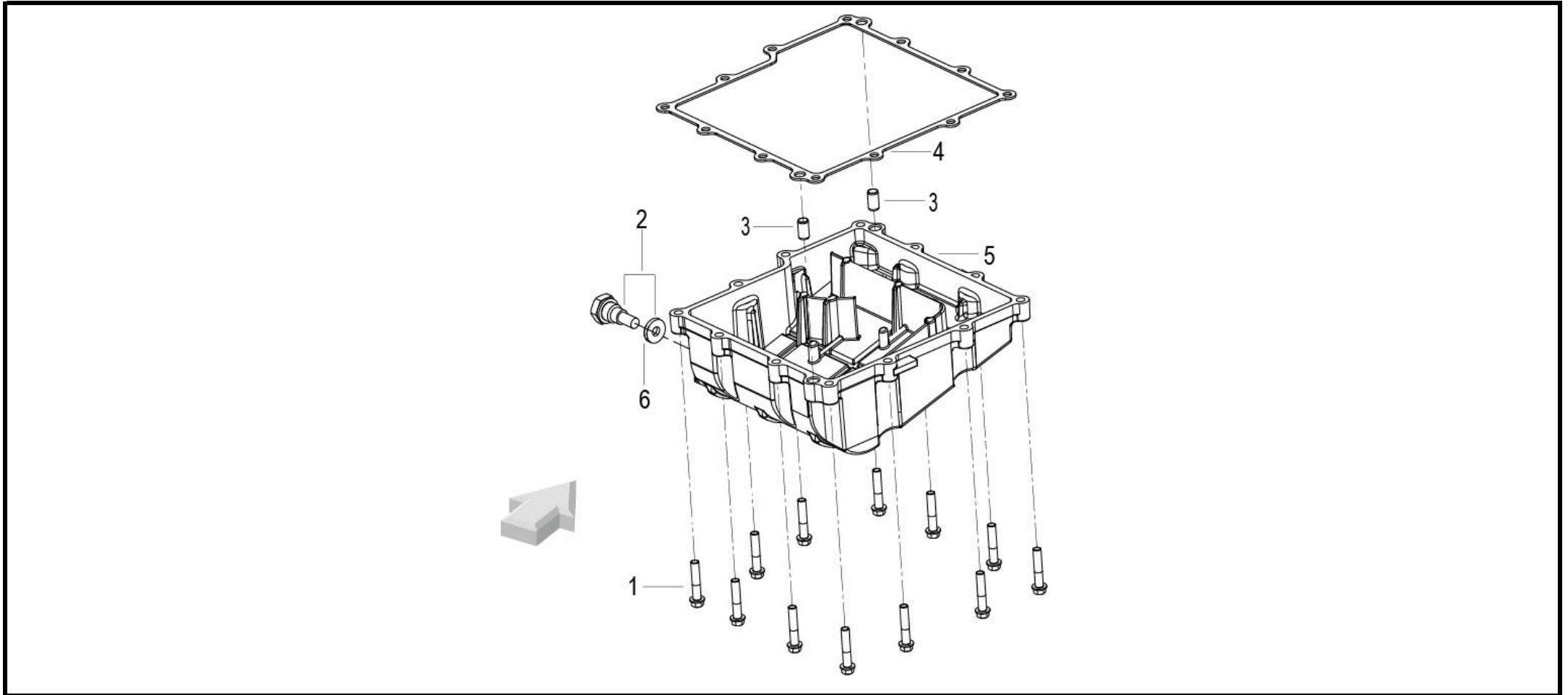
NO.	Position No.	CODE	EN DESCRIPTION	Qty/Unit	NOTES
1	E10	209016280020	CLUTCH HOUSING	1	
2	E10	200206030001	CLUTCH HUB	1	
3	E10	200376030000	PLATE, FRICTION(II)	7	
4	E10	200216030000	CLUTCH PLATE	7	
5	E10	200226030001	DISC SPRING	1	
6	E10	200366030000	PLATE, FRICTION(I)	1	
7	E10	200236030001	WASHER	1	
8	E10	200306030001	DRIVEN DISK ASSY, CLUTCH	1	
9	E10	200246030001	CLUTCH SPRING	4	
10	E10	200256030001	PRESS PLATE	1	
11	E10	B1331060250N	BOLTS ASSEMBLY	4	
12	E10	209106280010	CLUTCH ASSY	1	
13	E10	B1210H352000	ROLLER BEARING	1	
14	E10	200446030000	WASHER	1	
15	E10	B12016600401	BEARING	1	
16	E10	210146280000	SPROCKET SHAFT SLEEVE	1	
17	E10	269116030000	OIL PUMP DRIVE SPROCKET	1	
18	E10	200176030001	COLLAR	1	

E11 ELECTRIC STARTER ASSY(电启动分总成)



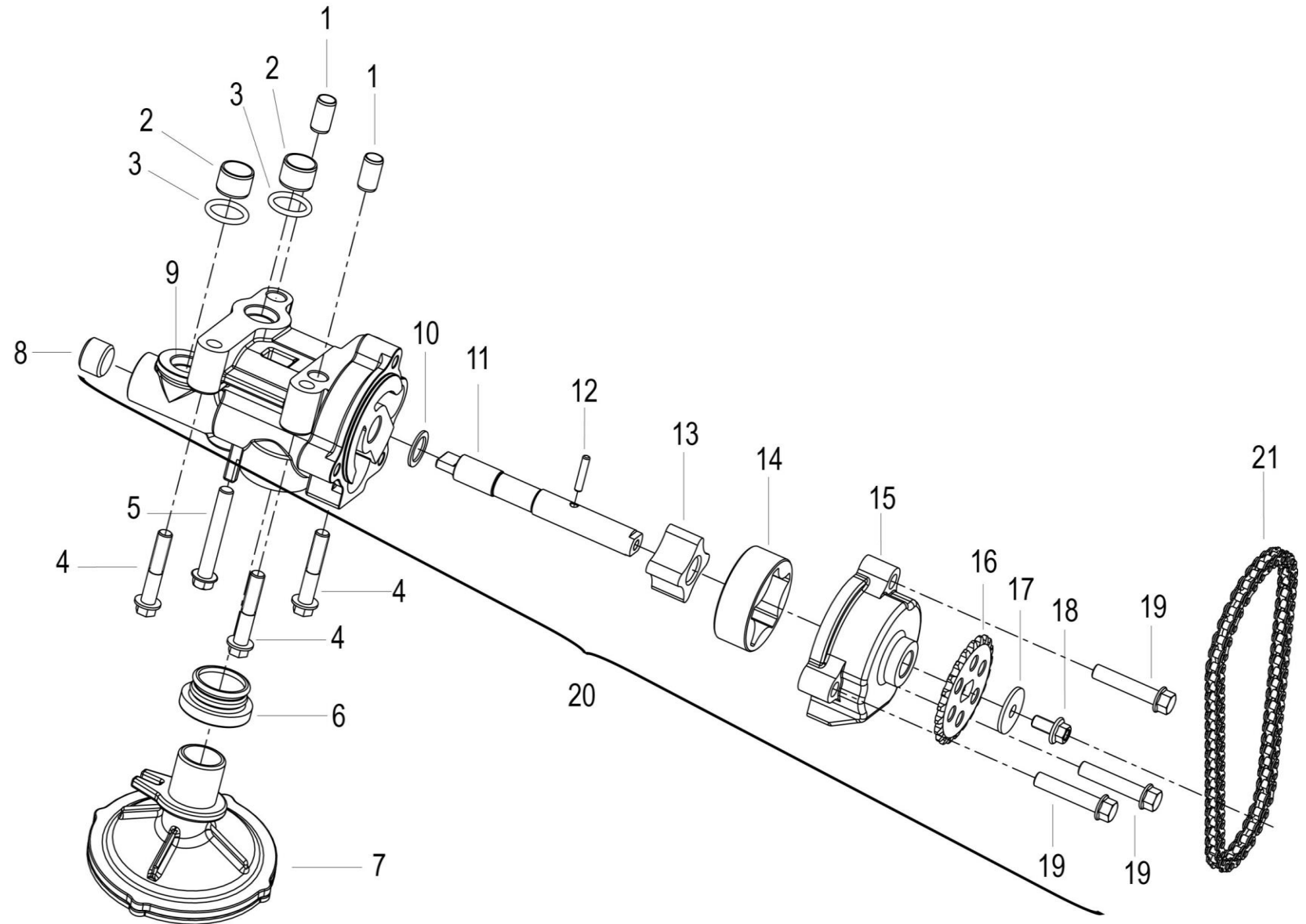
NO.	Position No.	CODE	EN DESCRIPTION	Qty/Unit	NOTES
1	E11	150316030010	BOLT M6×40	2	
2	E11	249066280000	STARTER MOTOR	1	
3	E11	249046280000	STARTER IDLE GEAR	1	
4	E11	249056030000	STARTER IDLE GEAR SHAFT	1	
5	E11	249016280000	STARTER CLUTCH DRIVE GEAR	1	
6	E11	249106280000	STARTER CLUTCH ASSY	1	
7	E11	299026280020	FLY WHEEL ASSY	1	
8	E11	B02070801683	SCREW M8×18	6	
9	E11	299036280000	COIL ASSY	1	
10	E11	240013060000	O RING Φ24×Φ3.1	1	

E12 OIL PAN ASSY (油底壳分总成)



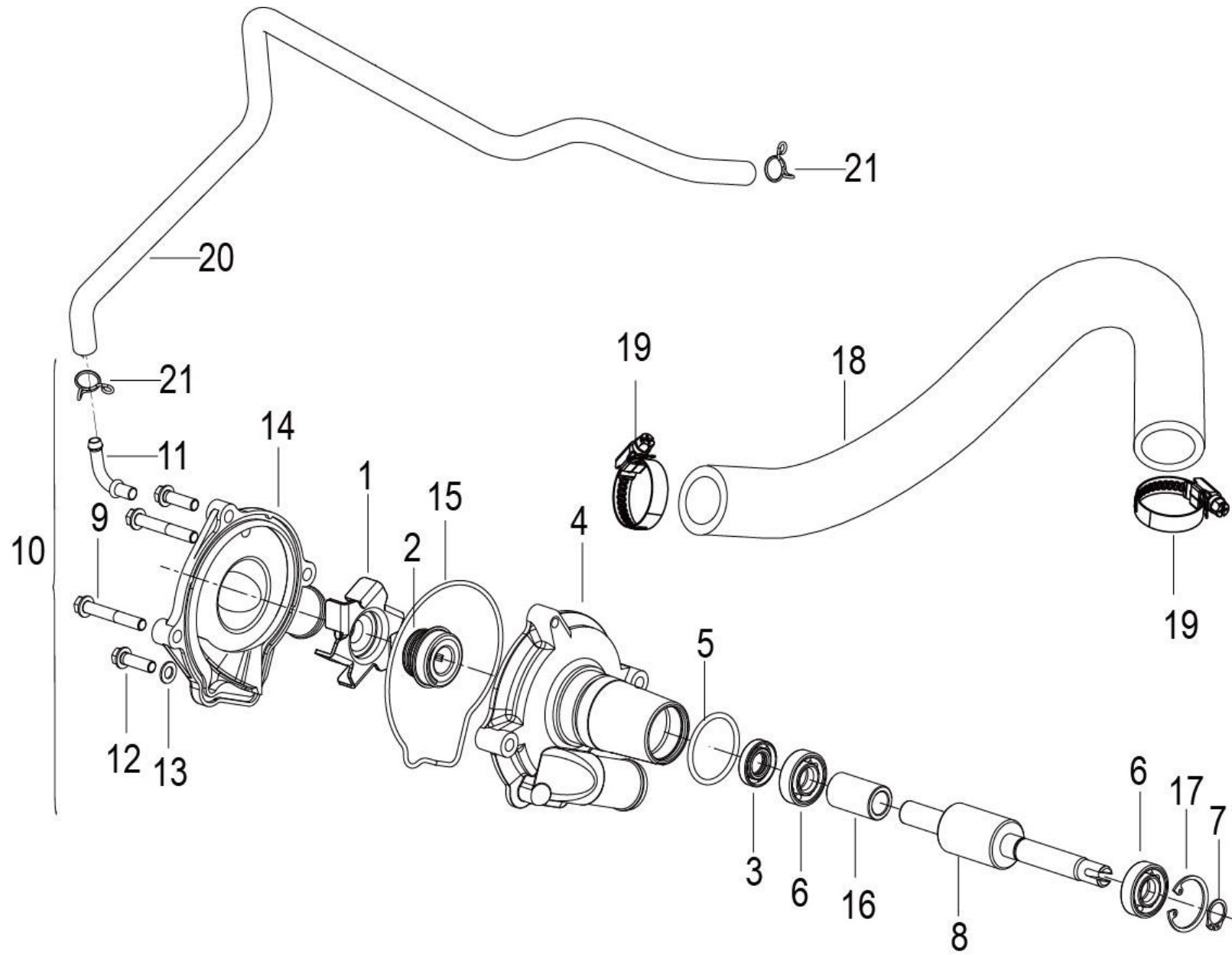
NO.	Position No.	CODE	EN DESCRIPTION	Qty/Unit	NOTES
1	E12	160106030030	BOLT M6X30	12	
2	E12	320076090000	MAGNETISM BOLT	1	
3	E12	160073070000	DOWEL PIN 6.7 X 8 X 14	2	
4	E12	260036220000	GASKET	1	
5	E12	260016220010	SUMP COVER	1	
6	E12	260356030000	WASHER 19X14X1.5	1	

E13 LUBRICATE SYSTEM (润滑系统分总成)



NO.	Position No.	CODE	EN DESCRIPTION	Qty/Unit	NOTES
1	E13	160073070000	DOWEL PIN	2	
2	E13	269136280000	DOWEL PIN	2	
3	E13	160085040000	O-RING	2	
4	E13	B01070603264	BOLT M6x32	3	
5	E13	B01070604064	BOLT M6x40	1	
6	E13	260036030000	OIL COLLECTER SHELL	1	
7	E13	269086220000	OIL COLLECTER	1	
8	E13	100066090000	CONE PLUG M14x1.5x10	1	
9	E13	269026280000	OIL PUMP BODY	1	
10	E13	260086030000	WASHER	1	
11	E13	269036280000	OIL PUMP SHAFT	1	
12	E13	B090103016B0	PIN	1	
13	E13	269046220000	INNER ROTOR	1	
14	E13	269056220000	OUTER ROTOR	1	
15	E13	269016220000	OIL PUMP COVER	1	
16	E13	269066220000	OIL PUMP DIRVING GEAR	1	
17	E13	260106030000	WASHER 5x20x1.5	1	
18	E13	B01070501063	BOLT M5x10	1	
19	E13	B01070603064	BOLT M6x30	3	
20	E13	269016280000	OIL PUMP ASSY	1	
21	E13	269056030000	OIL PUMP CHAIN	1	

E14 COOLING SYSTEM (冷却系统分总成)



NO.	Position No.	CODE	EN DESCRIPTION	Qty/Unit	NOTES
1	E14	279216030000	IMPELLER	1	
2	E14	270216030000	EKK SEAL COMPONENTS	1	
3	E14	270153160000	OIL SEAL	1	
4	E14	279316030001	WATER PUMP BODY,GREY	1	
5	E14	B190100335B0	O-RING 33.5x2.65	1	
6	E14	B12016000100	BEARING	2	
7	E14	B08010001201	CIRCLIP	1	
8	E14	27922603001X	IMPELLER SHAFT	1	
9	E14	150316030010	SCREW	2	
10	E14	279206030010	WATER PUMP,GREY	1	
11	E14	270076030000	PIPE	1	
12	E14	270156030000	BOLT	2	
13	E14	270345050000	WASHER	1	
14	E14	279336030000	WATER PUMP COVER,GREY	1	
15	E14	270066030000	SMALL SEAL RING	1	
16	E14	270166030000	BUSH	1	
17	E14	B080100028A1	CIRCLIP 28	1	
18	E14	279106280000	INTAKE PIPE	1	
19	E14	330265050000	STEEL BAND	2	
20	E14	279116280000	EXHAUST PIPE	1	
21	E14	B17010105003	CLIP Φ10	2	

NO.	Position No.	CODE	EN DESCRIPTION	Qty/Unit	NOTES
1	E15	280476090001	NUT M7,THROTTLE SHAFT	1	
2	E15	B0700000080A	SPRING WASHER	1	
3	E15	280676030000	MANIPULATION OF THE WHEEL COMPONENT	1	
4	E15	280346090000	WASHER	1	
5	E15	280336090000	WASHER	2	
6	E15	280386030000	OIL SEAL 8X12X2.5	1	
7	E15	280016220020	THROTTLE SHAFT	1	
8	E15	280076030000	THROTTLE SLICE	2	
9	E15	280116080000	SCREW	4	
10	E15	280196030000	BUSH	1	
11	E15	280306030000	TORSIONAL SPRING,LEFT THROTTLE SHAFT	1	
12	E15	B02000501029	SCREW(M5X10)	2	
13	E15	280066220010	BRACKET	1	
14	E15	B04000500059	NUT	3	
15	E15	B02000502529	SCREW M5X25	3	
16	E15	280506030010	PIPE	1	
17	E15	'3314302E0000	OIL INLET CAP	1	
18	E15	289026280000	FUEL INJECTOR	2	
19	E15	289086280010	FUEL	1	
20	E15	289066280000	SENSOR,INLET PRESSURE	1	
21	E15	B02040501629	SCREW	2	
22	E15	289076280000	RUBBER HOSE	1	
23	E15	49016T030000	CLAMP Φ8	2	
24	E15	3313701K0000	BRASS TUBE	1	
25	E15	280686030000	SEALING RING	1	
26	E15	280576030000	SEALING COVER PLATE	1	
27	E15	B02000300829	SCREW M3X8	1	

NO.	Position No.	CODE	EN DESCRIPTION	Qty/Unit	NOTES
28	E15	280116090000	NEEDLE ROLLER BEARING	1	
29	E15	280249010000	SHAFT CIRCLIP,THROTTLE SHAFT	1	
30	E15	280116130000	TPS PLATE	1	
31	E15	B02010401225	SCREW M4X12	2	
32	E15	280756030010	SENSOR,THE LOCTION OF THROTTLE	1	
33	E15	B0703000400A	WASHER	2	
34	E15	B13080401029	SCREW M4X10	2	
35	E15	B02040501429	SCREW M5X14	2	
36	E15	289066220000	THROTTLE BODY	1	
37	E15	280716030000	NEGATIVE PRESSURE COPPER PIPE	2	
38	E15	06103N140000	CLAMP Φ 13	4	
39	E15	280946030000	HOSE II	1	
40	E15	280956030000	INTAKE OF BRASS	2	
41	E15	280396030000	PLATE I	1	
42	E15	140106090000	O-RING	1	
43	E15	280476030020	REPEATING MOTOR	1	
44	E15	B07000000509	ELASTIC WASHER	2	
45	E15	280976030000	BUSH	2	
46	E15	280936030000	RUBBER HOSE I	1	
47	E15	280966030000	TIMING SYSTEM	1	
48	E15	57039S010000	RUBBER CUSHION	2	
49	E15	280406090000	ADJUSTING SCREW	2	
50	E15	280416090000	SEALING RING,ADJUSTING SCREW	2	
51	E15	B0200060162L	SCREW M6X12	1	
52	E15	289006280010	THROTTLE ASSY	1	