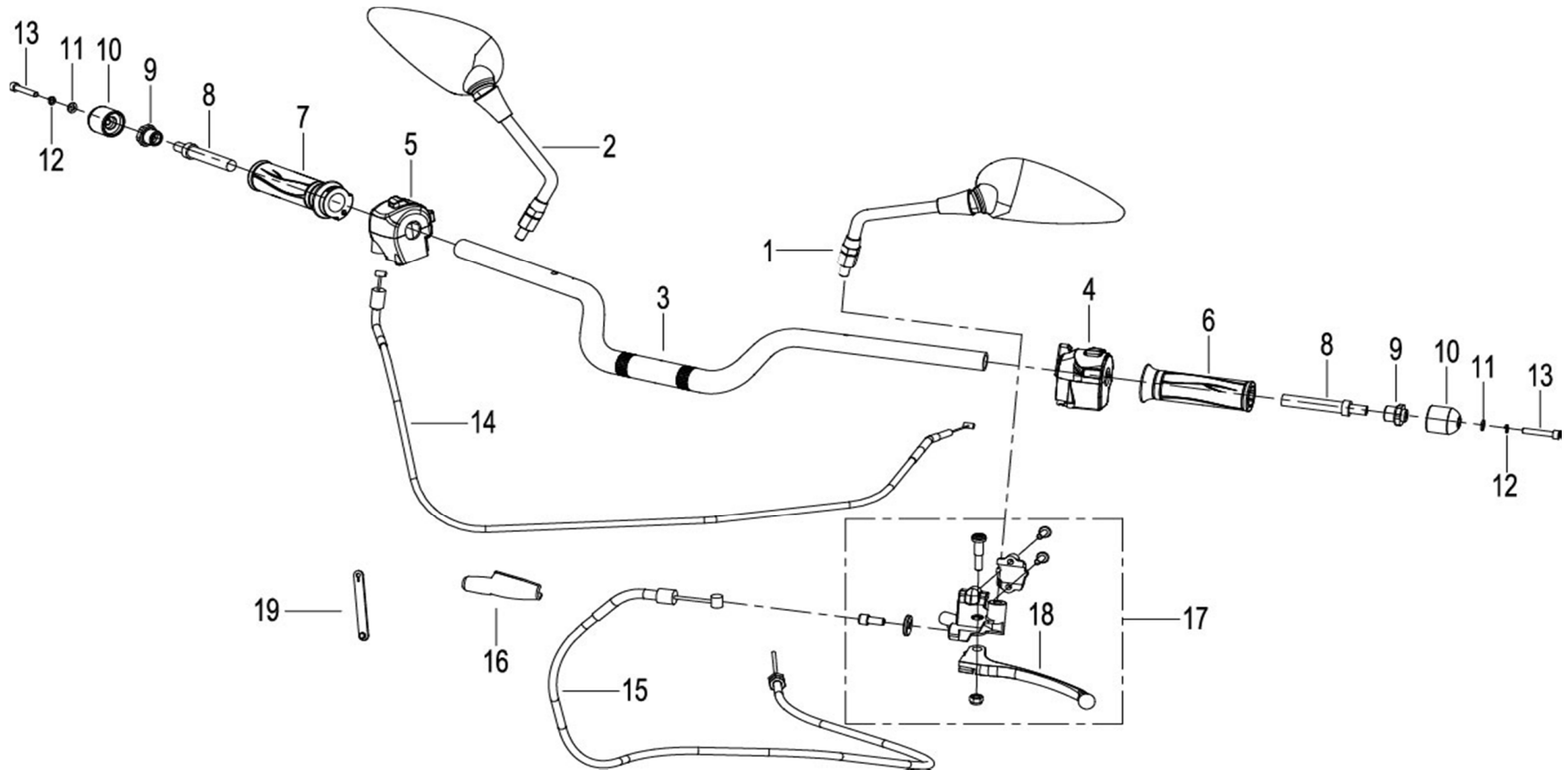


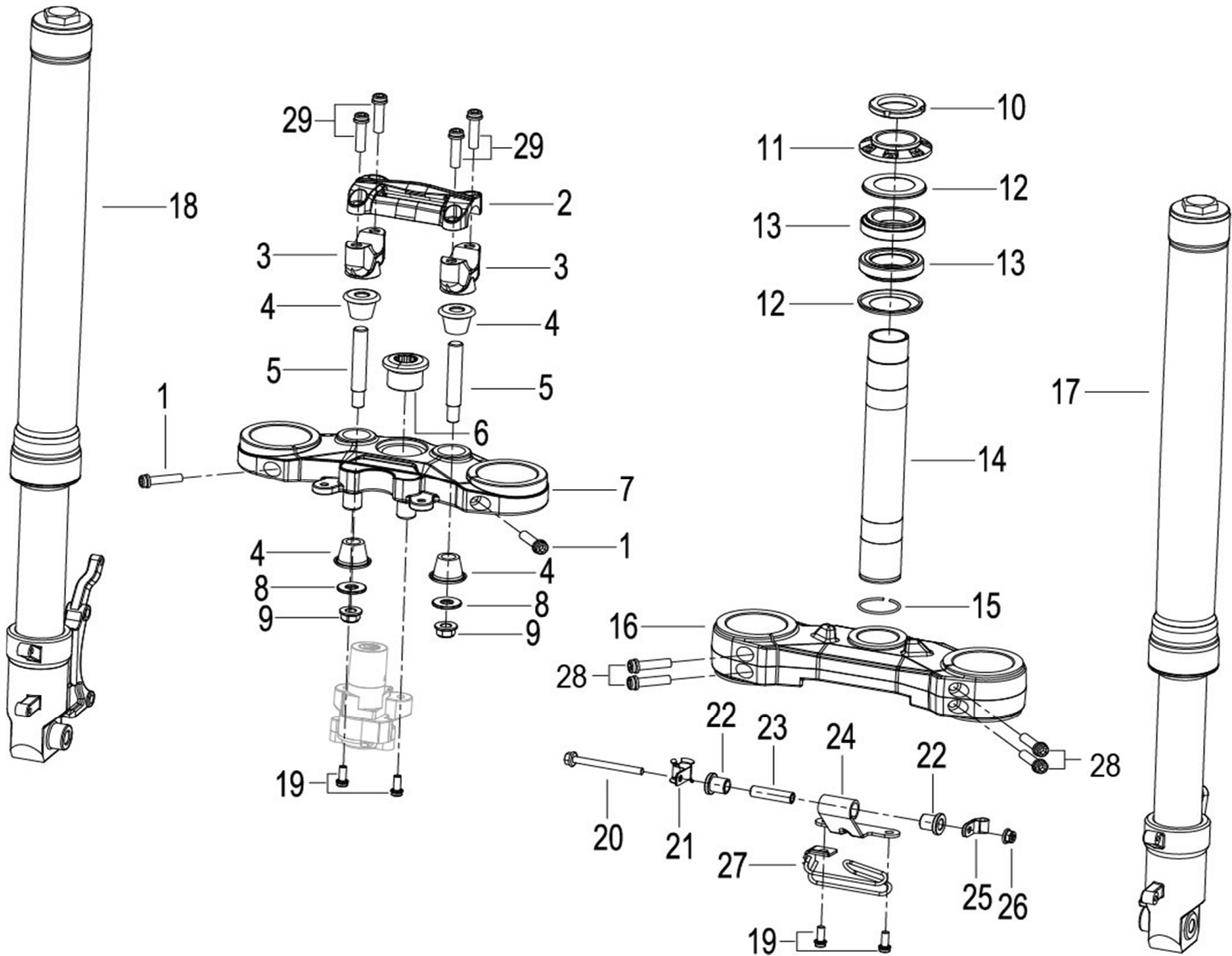
TNT135

F01 操纵 CONTROL ASSY.



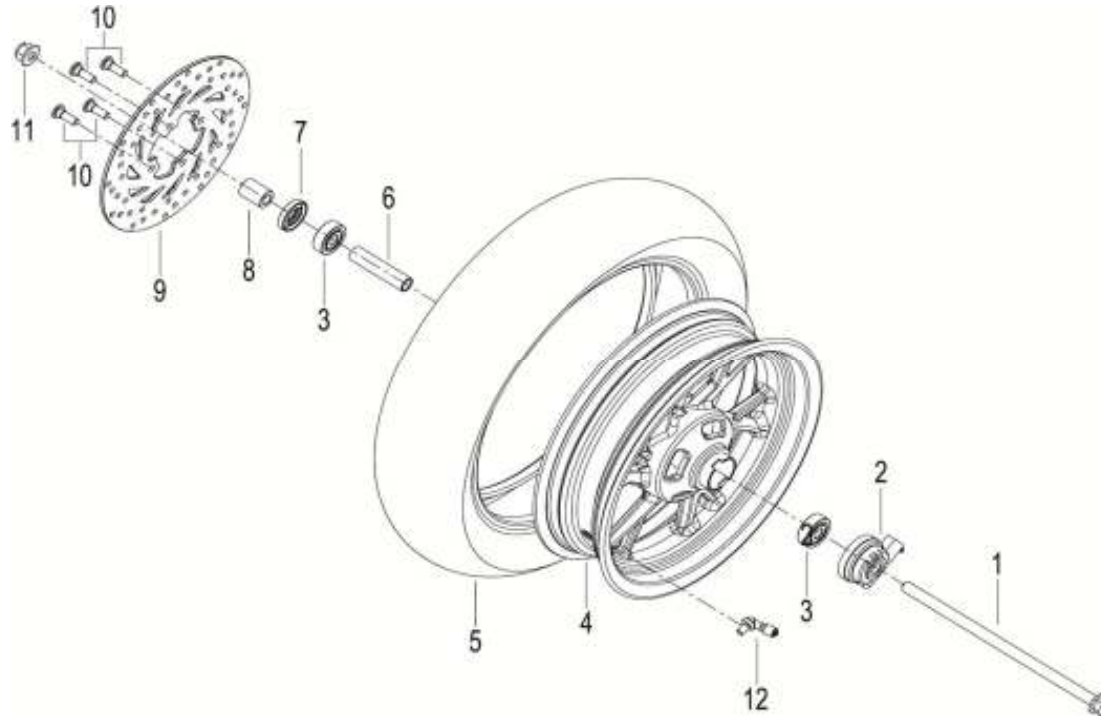
MODEL	NO.	Position No.	CODE	EN DESCRIPTION	Qty/Unit	Price (RM)
TNT135	1	F01	40460P250000	LH VIEW MIRROR ASSY	1	57.90
TNT135	2	F01	40470P250000	RR VIEW MIRROR ASSY	1	57.90
TNT135	3	F01	40101V020000	HANDLEBAR ASSY	1	150.50
TNT135	4	F01	40500M140001	LEFT HANDLEBAR SWITCH	1	48.50
TNT135	5	F01	40600M140000	RIGHT HANDLEBAR SWITCH	1	47.90
TNT135	6	F01	40001K740000	LEFT HANDLEBAR GRIP	1	11.20
TNT135	7	F01	40210K740000	RIGHT HANDLEBAR GRIP	1	10.30
TNT135	8	F01	40031S010000	GRIP END	2	6.30
TNT135	9	F01	40032P250000	GRIP END MOUNTING SEAT	2	5.00
TNT135	10	F01	40031P250000	GRIP END	2	9.80
TNT135	11	F01	B07030000602	WASHER 6	2	0.30
TNT135	12	F01	B07000000602	SINGLE COIL SPRING LOCK WASHER 6	2	0.30
TNT135	13	F01	B02050603562	GRIP END SCREW M6×35	2	1.00
TNT135	14	F01	40300V020000	THROTTLE CABLE ASSY	1	13.50
TNT135	15	F01	40400V020000	CLUTCH CABLE ASSY	1	21.70
TNT135	16	F01	40017J130000	CLUTCH CABLE RUBBER COVER	1	2.80
TNT135	17	F01	40080J020001	LEVER ASSY,LEFT	1	25.70
TNT135	18	F01	40084J020100	CLUTCH HANDLE	1	24.30
TNT135	19	F01	49371T620000	CLIP	3	0.70

F02 前叉 FRONT FORK ASSY.



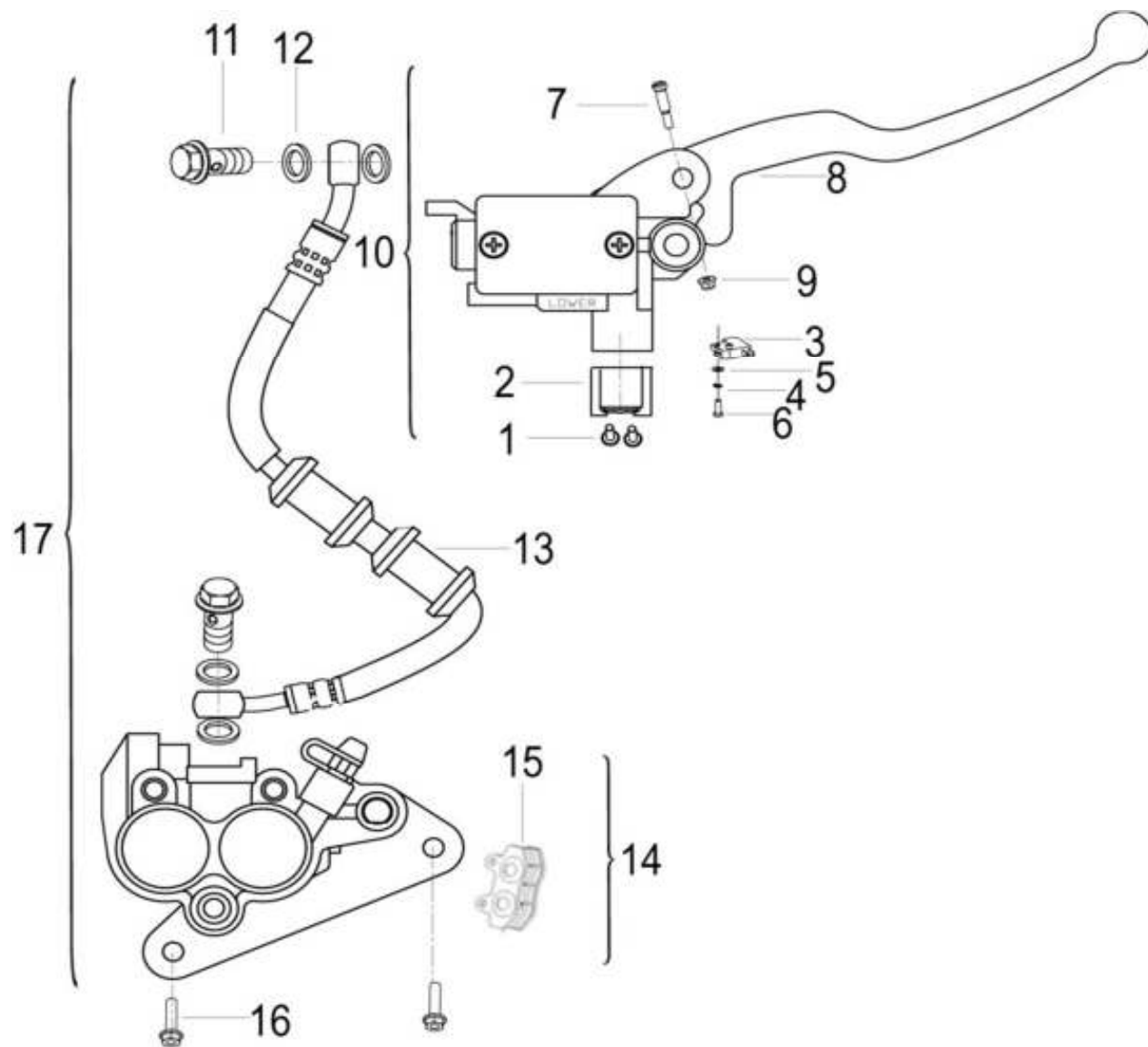
MODEL	NO.	Position No.	CODE	EN DESCRIPTION	Qty/Unit	Price (RM)
TNT135	1	F02	B02810802562	SCREW M8×1.25×25	2	1.60
TNT135	2	F02	43014V020100	BASE,HANDLE BAR, UPPER	1	22.00
TNT135	3	F02	43014P010000	LOWER HANDLEBAR HOLDER	2	19.70
TNT135	4	F02	47015P010000	DAMPER	4	4.70
TNT135	5	F02	40086P010000	HANDLEBAR STUD	2	6.30
TNT135	6	F02	43049P250000	UPPER BRACKET PINCH BOLT	1	54.70
TNT135	7	F02	43011V020003	UPPER BRACKET	1	115.90
TNT135	8	F02	40089P010000	HANDLEBAR DOWEL WASHER	2	0.70
TNT135	9	F02	B04821012552	SELF-LOCKING NUT M10×1.25	2	2.20
TNT135	10	F02	43008S010010	STEERING STEM HEAD NUT	1	7.90
TNT135	11	F02	43009P260000	STEERING STEM NUT	1	60.70
TNT135	12	F02	43005S010000	DUST SEAL	2	2.80
TNT135	13	F02	43130S010000	STEER BEARING	2	19.20
TNT135	14	F02	43101V020003	STEM	1	20.10
TNT135	15	F02	43103S010000	LOCKING RING	1	0.40
TNT135	16	F02	43102V020003	CROWN	1	348.50
TNT135	17	F02	43200V020005	FRONT LEFT SHOCK ABSORBER ASSY.	1	809.10
TNT135	18	F02	43300V020005	FRONT RIGHT SHOCK ABSORBER ASSY.	1	809.10
TNT135	19	F02	B02810601462	SCREW M6×14	4	0.40
TNT135	20	F02	B01090606065	BOLT M6×60	1	0.70
TNT135	21	F02	45350H030000	CLIP	1	1.00
TNT135	22	F02	08524P250000	BUFFER JACKET	2	0.70
TNT135	23	F02	08523P250020	HEADLIGHT LOWER SLEEVE	1	2.60
TNT135	24	F02	08332V020000	FIXING PLATE ASSY, FR	1	3.40
TNT135	25	F02	43070J670010	CLIP,CLUTCH CABLE	1	2.20
TNT135	26	F02	B04170600045	SELF-LOCKING NUT M6	1	0.40
TNT135	27	F02	43060V020000	CLIP	1	2.80
TNT135	28	F02	B02810803062	SCREW M8×1.25×30	4	2.60
TNT135	29	F02	B0205080256L	SCREW M8×25	4	3.60

F03 前轮 FRONT WHEEL ASSY.



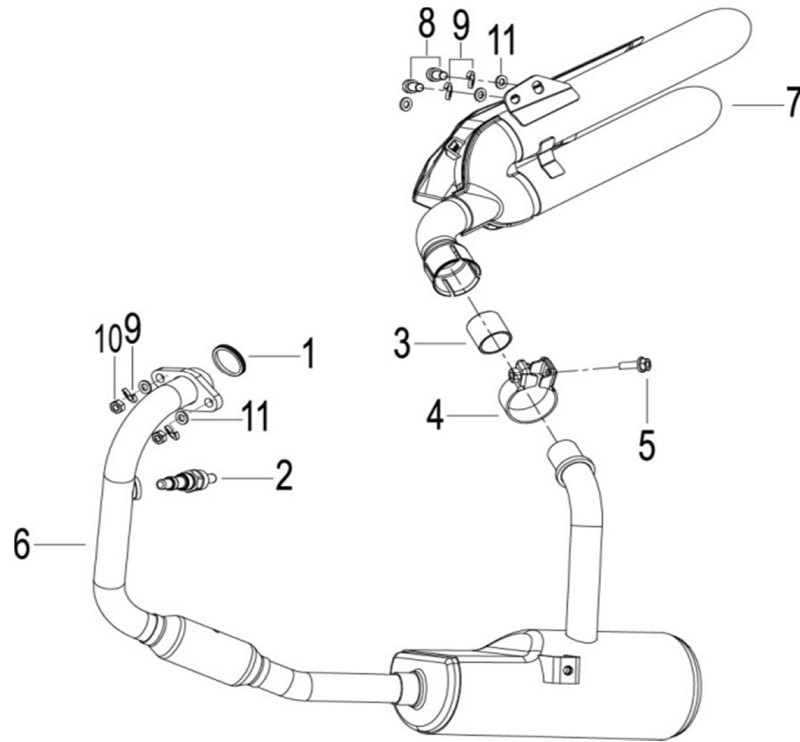
MODEL	NO.	Position No.	CODE	EN DESCRIPTION	Qty/Unit	Price (RM)
TNT135	1	F03	58303T760001	AXLE,FRONT WHEEL M12×1.25×258	1	16.50
TNT135	2	F03	44200J820004	SPEEDOMETER GEAR ASSY.	1	75.50
TNT135	3	F03	B12016030100	BEARING 6301-2RS	2	8.80
TNT135	4	F03	44101V02F901	RIM, FRONT WHEEL	1	259.90
TNT135	6	F03	44006V020000	FRONT WHEEL MIDDLE SHAFT SLEEVE	1	2.80
TNT135	7	F03	44300J000000	DUST SEAL ASSY	1	1.60
TNT135	8	F03	44016J670001	BUSH,RIGHT,FRONT WHEEL	1	5.10
TNT135	9	F03	45033V500000	FRONT BRAKE DISK	1	91.20
TNT135	10	F03	08014J000000	BOLT M8×20	4	1.50
TNT135	11	F03	B04171212545	NUT M12×1.25	1	2.80
TNT135	12	F03	B1403Z201120	AIR VALVE/RIM VALVE	1	7.00

F04 前液刹总成 FRONT DISK BRAKE



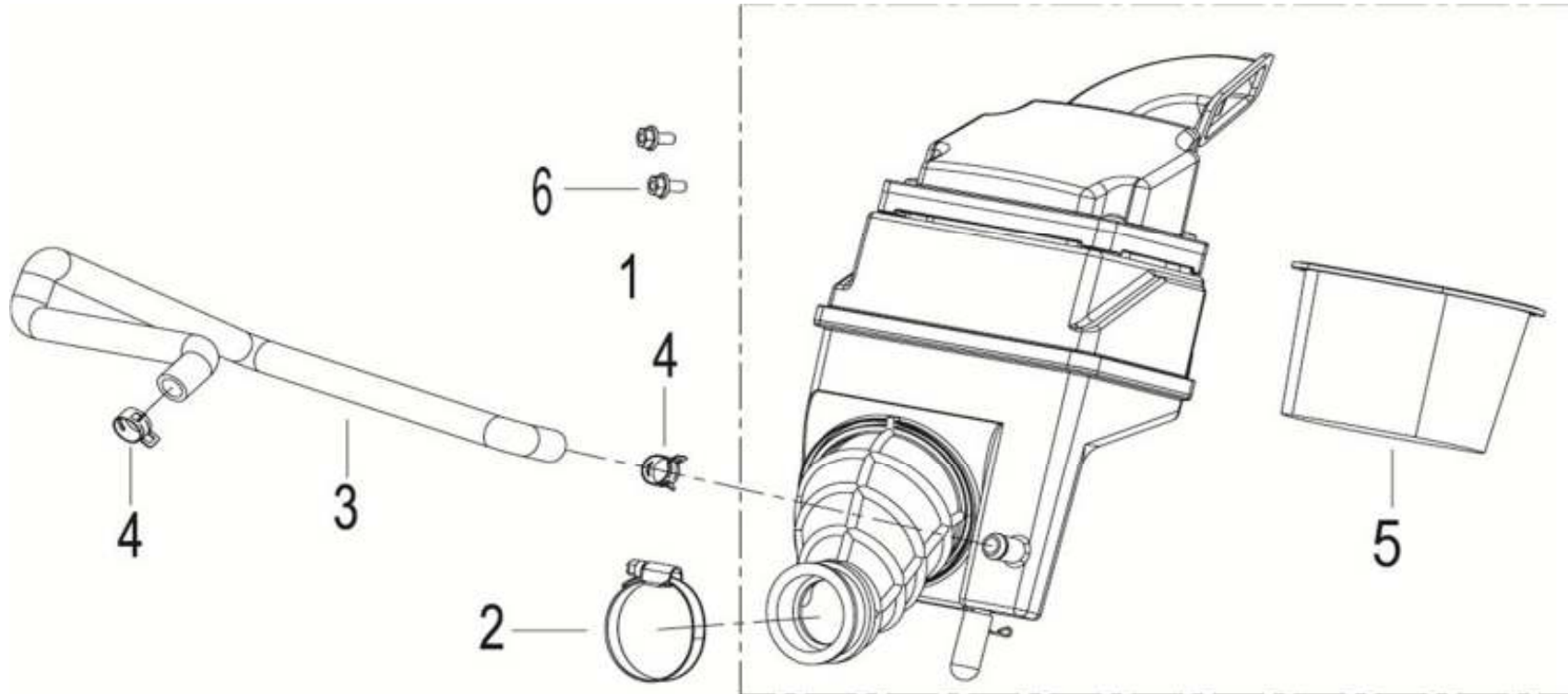
MODEL	NO.	Position No.	CODE	EN DESCRIPTION	Qty/Unit	Price (RM)
TNT135	1	F04	B01400602365	HEX FLANGE BOLT M6×23	2	0.70
TNT135	2	F04	45023T010000	MASTER CYLINDER BRACKET	1	6.70
TNT135	3	F04	45300J000000	FRONT BRAKE SWITCH	1	6.40
TNT135	4	F04	B07000000405	SPRING WASHER Φ4	1	0.30
TNT135	5	F04	B07030000405	WASHER Φ4	1	0.40
TNT135	6	F04	B02040401225	SCREW M4×12	1	0.30
TNT135	7	F04	45024J000000	MOUNTING BOLT HANDLE	1	0.40
TNT135	8	F04	45022J020021	FRONT DISC BRAKE LEVER	1	21.20
TNT135	9	F04	B04160603565	NUT M6	1	0.40
TNT135	10	F04	45400J020011	FRONT MASTER CYLINDER ASSY	1	172.40
TNT135	11	F04	55037J410000	HEX FLANG BOLT	2	2.80
TNT135	12	F04	55180J410000	SEAL WASHER	4	0.40
TNT135	13	F04	45200V020000	FRONT BRAKE HOSE	1	52.70
TNT135	14	F04	45600V020000	FRONT BRAKE CALIPER	1	176.80
TNT135	15	F04	45120U060000	BRAKE PAD KIT ASSY.THICKNESS:7MM	1 set	27.30
TNT135	16	F04	B02810802562	BOLT M8×1.25×25	2	1.60
TNT135	17	F04	45900V02F900	FRONT DISC BRAKE ASSY.	1	225.40

F05 消声器 MUFFLER ASSY.



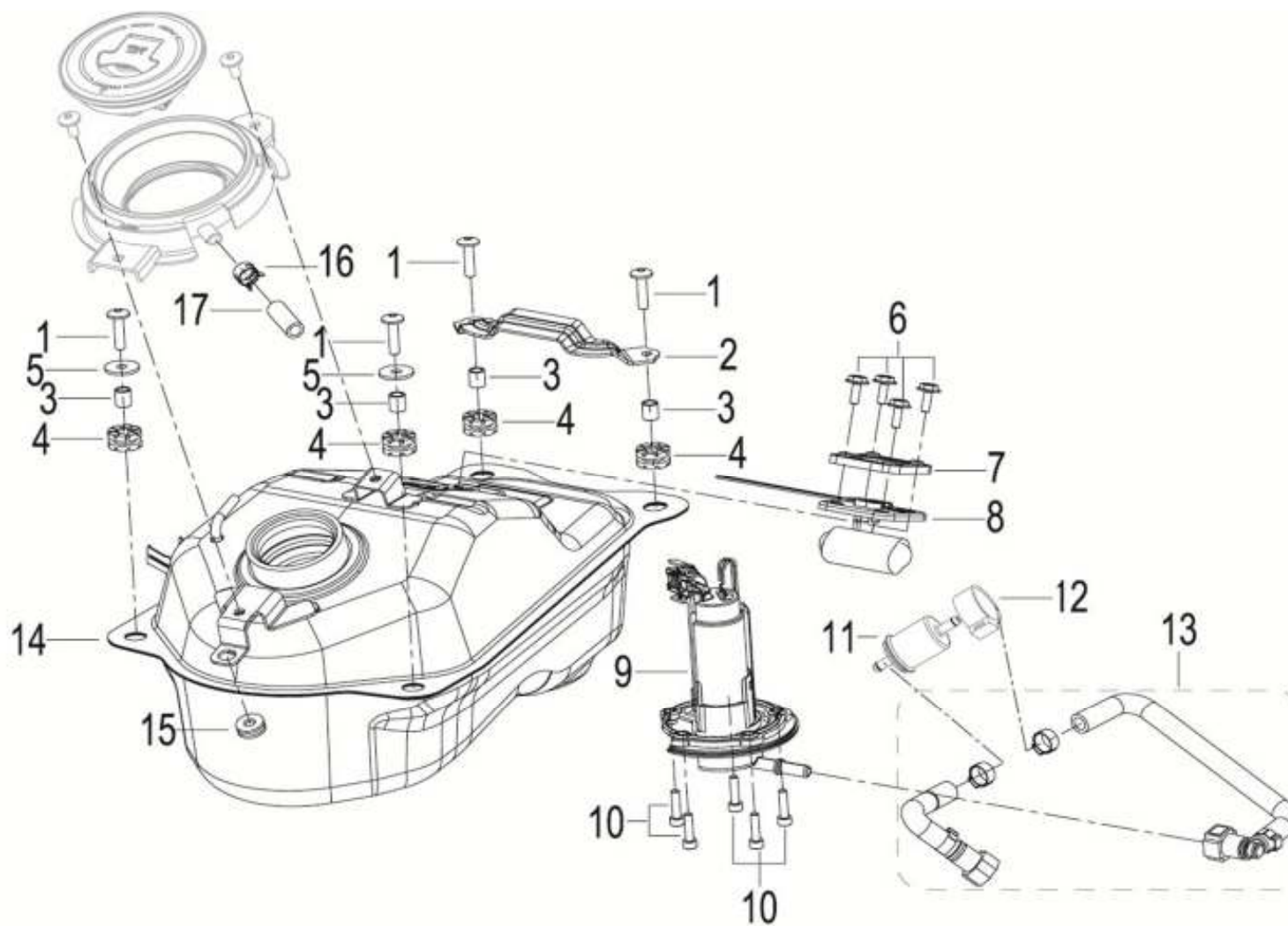
MODEL	NO.	Position No.	CODE	EN DESCRIPTION	Qty/Unit	Price (RM)
TNT135	1	F05	47800V300000	EXHAUST PIPE GASKET ASSY	1	1.50
TNT135	2	F05	280014320000	OXYGEN SENSOR	1	276.00
TNT135	3	F05	47035V020000	GRAPHITE BUSH	1	6.20
TNT135	4	F05	47810J690000	CLAMPER	1	18.40
TNT135	5	F05	B01090803565	BOLT M8×35	1	2.70
TNT135	6	F05	47200V020202	EXHUAST&MUFFLER ASSY.with catalyzer,mark:E4 BENELLI V02-1	1	587.40
TNT135	7	F05	48200V020202	MUFFLER ASSY.with catalyzer,mark:E4 BENELLI V02-2	1	388.30
TNT135	8	F05	B0205080206A	BOLT M8×20	2	1.50
TNT135	9	F05	B0700000080L	SPRING WASHER 8	4	0.60
TNT135	10	F05	B0400080005L	NUT	2	2.30
TNT135	11	F05	B0703000080L	WASHER 8	4	0.40

F06 空滤器 AIR CLEANER ASSY.



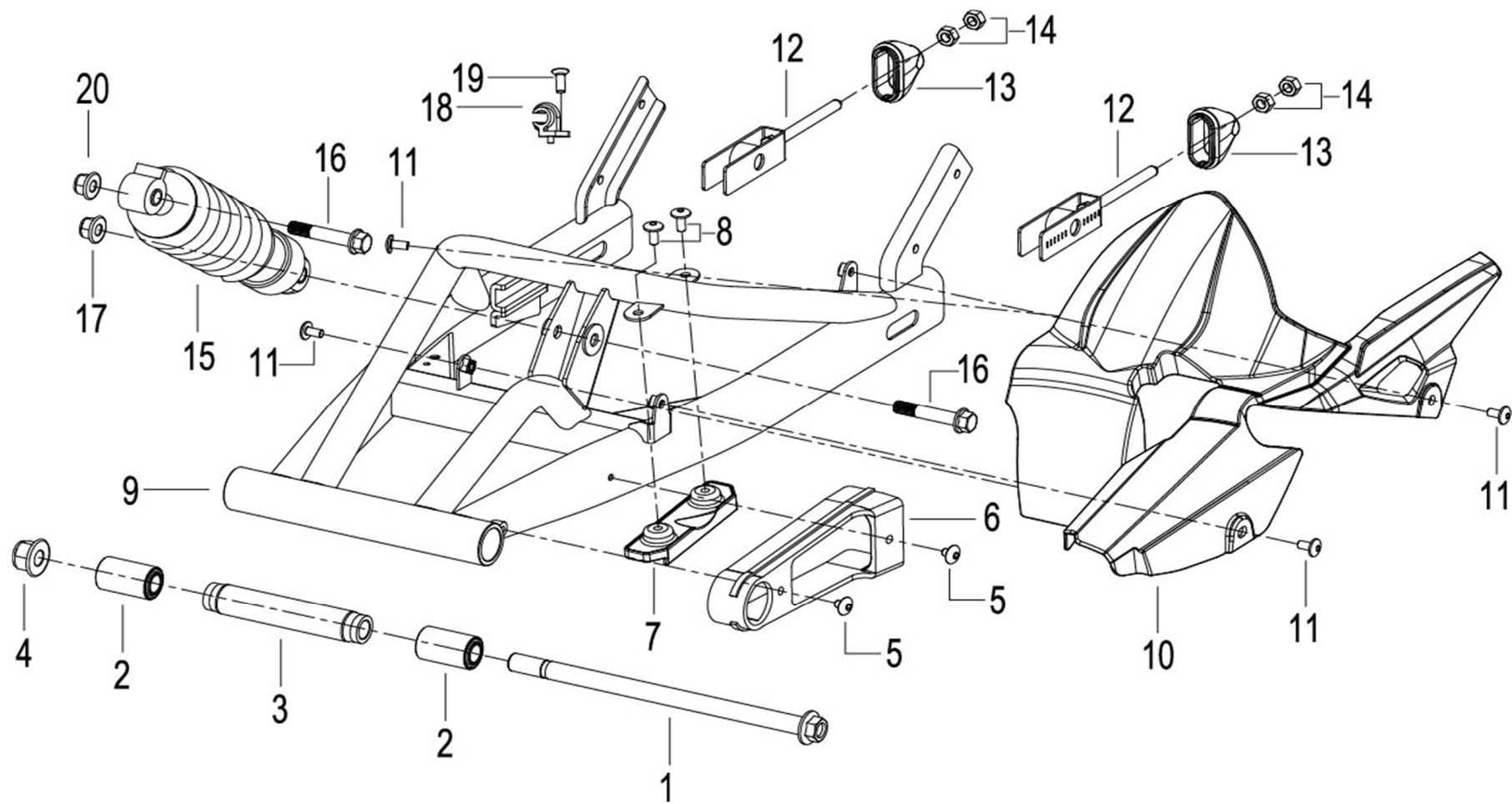
MODEL	NO.	Position No.	CODE	EN DESCRIPTION	Qty/Unit	Price (RM)
TNT135	1	F06	49100V020000	AIR FILTER ASSY	1	
TNT135	2	F06	49016N070000	STAINLESS CLAMP	1	4.20
TNT135	3	F06	49025V020000	PIPE	1	11.20
TNT135	4	F06	49805G120000	PLATE CARD HOOP 14.5	2	0.40
TNT135	5	F06	49202V020000	FILTER ASSY.	1	15.30
TNT135	6	F06	B01090601265	BOLT M6×12	2	0.40

F07 油箱 FUEL TANK



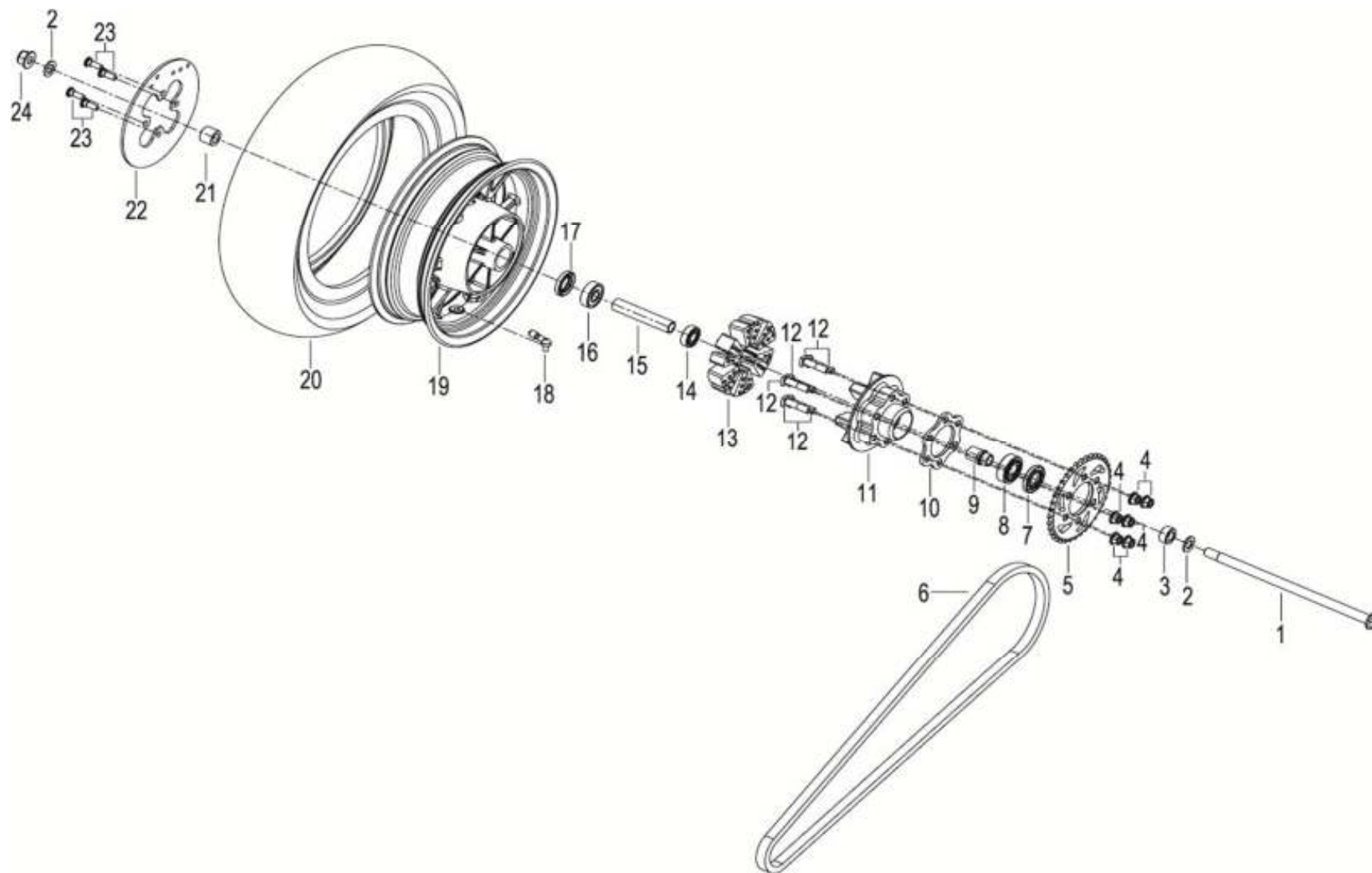
MODEL	NO.	Position No.	CODE	EN DESCRIPTION	Qty/Unit	Price (RM)
TNT135	1	F07	B02830602562	SCREW M6×25	4	1.00
TNT135	2	F07	51022V020000	FIXING PLATE	1	3.40
TNT135	3	F07	65913J820000	COVER BUSH	4	0.70
TNT135	4	F07	65618J820000	RUBBER CUSHION	4	0.40
TNT135	5	F07	B07090000605	WASHER	2	0.30
TNT135	6	F07	08016B920000	SCREW	4	0.40
TNT135	7	F07	50811T820000	RUBBER PAD, SENSOR, OIL LEVEL INDICATOR	1	2.60
TNT135	8	F07	50800V020000	FUEL SENSOR ASSY.	1	21.20
TNT135	9	F07	50400V020000	FUEL PUMP ASSY.	1	407.30
TNT135	10	F07	B01090502065	SCREW M5×20	5	0.30
TNT135	11	F07	50340N100001	FUEL FILTER	1	53.40
TNT135	12	F07	50391N070000	FUEL FILTER JACKET	1	1.40
TNT135	13	F07	50090V020000	FUEL PIPE ASSY.	1	74.90
TNT135	14	F07	50100V020001	FUEL TANK ASSY.	1	107.60
TNT135	15	F07	65704J000000	RUBBER CUSHION	1	0.30
TNT135	16	F07	06103N140010	PLATE CARD HOOP 12.5	1	1.00
TNT135	17	F07	B16010829500	PIPE 8×12×950	1	

F08 后摆臂 ARM AFTER ASSY.



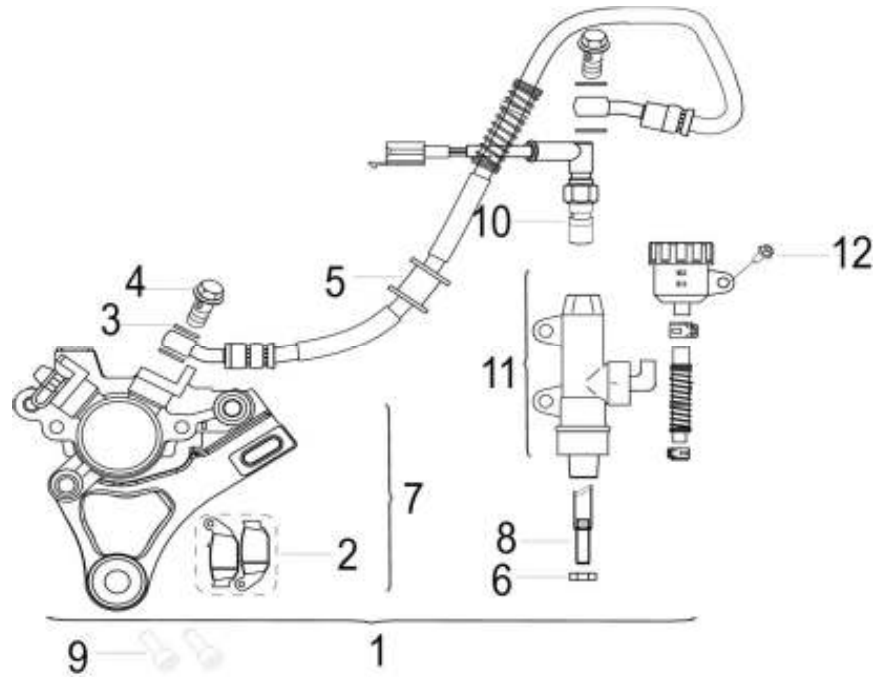
MODEL	NO.	Position No.	CODE	EN DESCRIPTION	Qty/Unit	Price (RM)
TNT135	1	F08	53001V020000	SHAFT,REAR ARM SWING	1	15.90
TNT135	2	F08	53200J000000	BUSH,REAR ARM SWING	2	7.00
TNT135	3	F08	53005V020000	SPACER	1	10.30
TNT135	4	F08	B04171415045	SELF-LOCKING NUT M14×1.5	1	2.30
TNT135	5	F08	B02830601262	BOLT M6×12	2	0.40
TNT135	6	F08	53004V020000	CHAIN SHIELD BLOCK	1	9.80
TNT135	7	F08	53018V020000	CHAIN BLOCK	1	6.40
TNT135	8	F08	B02830601962	BOLT M6×19	2	0.70
TNT135	9	F08	53100V020000	REAR SWING ARM ASSY	1	229.20
TNT135	10	F08	60101V020000	DRIVE CHAIN COVER	1	13.10
TNT135	11	F08	08018B910000	BOLT M6×14	4	4.70
TNT135	12	F08	53230K980010	CHAIN ADJUSTING ASSY.	2	11.00
TNT135	13	F08	53234K980000	CHAIN TENSION ADJUSTER RETAINER	2	6.60
TNT135	14	F08	B04000800055	NUT M8	4	0.40
TNT135	15	F08	63800V02BC00	REAR ABSORBER	1	355.80
TNT135	16	F08	08012V020000	BOLT M10×50	2	2.60
TNT135	17	F08	B04171012545	NUT M10	1	1.00
TNT135	18	F08	40022N050002	CLAP, DISC BRAKE, REAR	1	0.60
TNT135	19	F08	B02010601622	SCREW M6×16	1	0.30
TNT135	20	F08	B04821012552	SELF-LOCKING NUT M10×1.25	1	2.20

F09 后轮 REAR WHEEL ASSY.



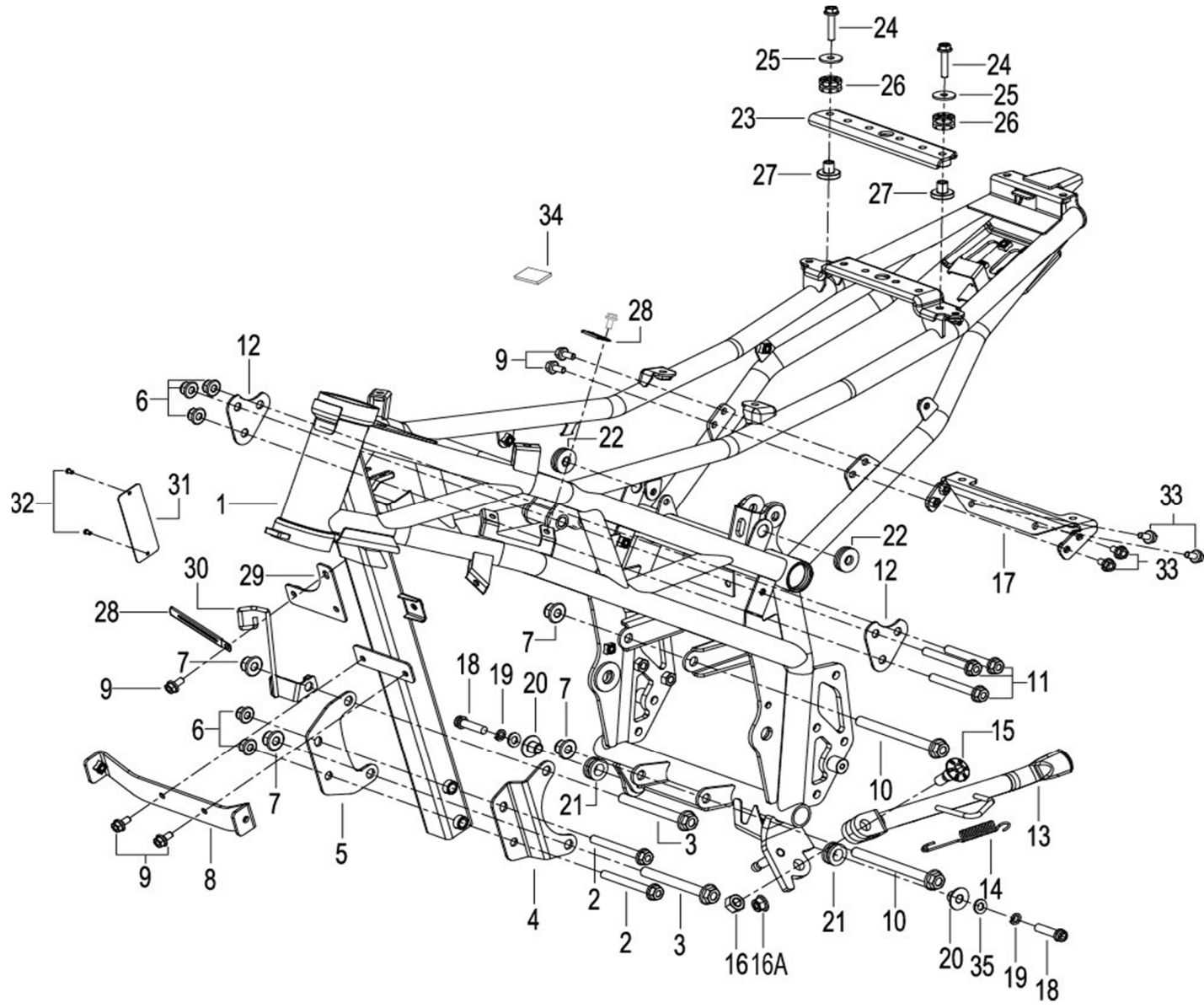
MODEL	NO.	Position No.	CODE	EN DESCRIPTION	Qty/Unit	Price (RM)
TNT135	1	F09	54004V020000	AXLE, REAR WHEEL	1	20.40
TNT135	2	F09	08021K670000	WASHER $\Phi 16 \times \Phi 32 \times 2$	2	1.00
TNT135	3	F09	54016V020001	REAR WHEEL LEFT COLLAR	1	2.80
TNT135	4	F09	B04171012542	SELF-LOCKING NUT M10 \times 1.25	6	1.00
TNT135	5	F09	60002V020003	SPROCKET 36 TEETH,MARK:Z36	1	39.80
TNT135	6	F09	B1502W1116B8	CHAIN 428HG-1 \times 116	1	100.60
TNT135	7	F09	60200J000001	DUST SEAL ASSY	1	2.60
TNT135	8	F09	B12016020400	BALL BEARING 6204-2RS	1	11.40
TNT135	9	F09	60006J000001	REAR WHEEL AXLE SLEEVE	1	23.90
TNT135	10	F09	60014V020000	WASHER	1	12.60
TNT135	11	F09	60001N210000	REAR WHEEL DRIVE HUB	1	68.30
TNT135	12	F09	60015M190000	BOLT M10 \times 1.25 \times 42	6	2.30
TNT135	13	F09	54024N210000	REAR WHEEL DRIVE HUB DAMPER	6	5.40
TNT135	14	F09	B12016020200	BALL BEARING 6202-2RS	1	8.20
TNT135	15	F09	54006V020001	MIDDLE BUSH	1	3.60
TNT135	16	F09	B12016030200	BALL BEARING 6302-2RS	1	10.30
TNT135	17	F09	44300J040000	FRONT WHEEL RIGHT OIL SEAL ASSY	1	1.60
TNT135	18	F09	B1403Z201120	AIR VALVE/RIM VALVE	1	7.00
TNT135	19	F09	54101V02F901	REAR WHEEL ASSY.	1	325.00
TNT135	21	F09	54005V020001	RIGHT BUSH,REAR WHEEL	1	5.60
TNT135	22	F09	55033V020000	REAR BRAKE DISC	1	74.10
TNT135	23	F09	45036K010000	BOLT M8 \times 24	4	1.40
TNT135	24	F09	B04171415045	NUT M14 \times 1.25	1	2.30

F10 后液刹 REAR DISK BRAKE



MODEL	NO.	Position No.	CODE	EN DESCRIPTION	Qty/Unit	Price (RM)
TNT135	1	F10	55900V02F900	REAR BRAKE ASSY	1	351.30
TNT135	2	F10	55110V020000	PADS, REAR DISC BRAKE	1	13.50
TNT135	3	F10	55180J410000	SEAL WASHER	4	0.40
TNT135	4	F10	55037J410000	HEX FLANG BOLT	2	2.80
TNT135	5	F10	55200V020000	FRONT BRAKE HOSE	1	52.70
TNT135	6	F10	B04020600018	NUT M6	1	0.40
TNT135	7	F10	55500V020000	REAR BRAKE CALIPER	1	181.70
TNT135	8	F10	55061V020000	BRAKE PUSH ROD	1	8.70
TNT135	9	F10	B02050802065	SCREW M8×20	2	0.70
TNT135	10	F10	55300V020000	REAR DISC BRAKE SWITCH	1	72.40
TNT135	11	F10	55400V020000	REAR MASTER CYLINDER ASSY.	1	186.40
TNT135	12	F10	B01090601265	BOLT M6×12	1	0.40

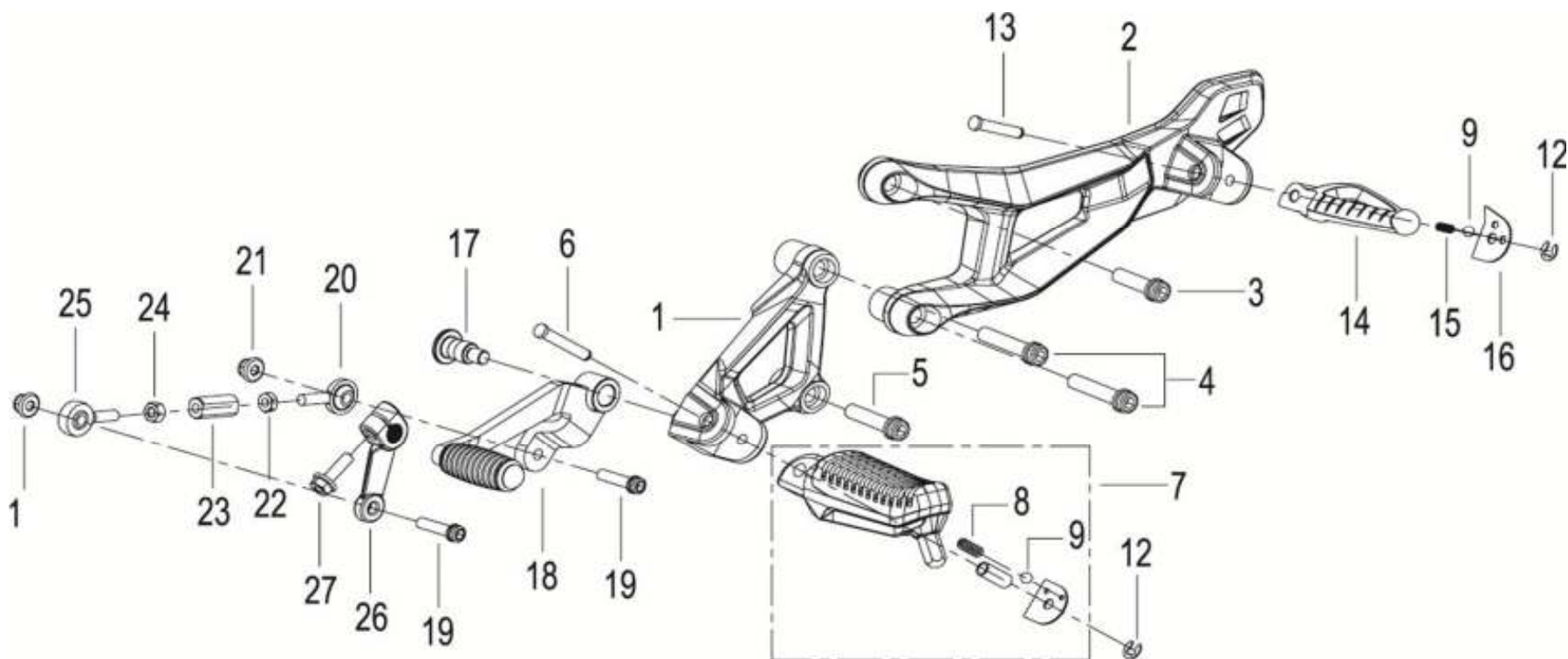
F11 车架 FRAME BODY



MODEL	NO.	Position No.	CODE	EN DESCRIPTION	Qty/Unit	Price (RM)
TNT135	1	F11	57100V020000	FRAME ASSY.BLACK	1	976.10
TNT135	1	F11	57100V02TY00	FRAME ASSY.RED TY	1	673.80
TNT135	2	F11	B01090807065	BOLT M8×70	2	1.90
TNT135	3	F11	B01591009065	BOLT M10×1.25×90	2	4.70
TNT135	4	F11	57009V020000	ENGINE MOUNT PLATE,FRONT LEFT	1	5.40
TNT135	5	F11	57019V020000	ENGINE MOUNT PLATE,FRONT RIGHT	1	4.60
TNT135	6	F11	B04170800045	NUT M8	5	0.70
TNT135	7	F11	B04171012545	SELF-LOCKING NUT M10×1.25	4	1.00
TNT135	8	F11	59450V020000	FIXING BRACKET	1	7.00
TNT135	9	F11	B01090601265	BOLT M6×12	5	0.40
TNT135	10	F11	B01591011065	BOLT M10×1.25×110	2	4.70
TNT135	11	F11	B01090806565	BOLT M8×65	3	1.60
TNT135	12	F11	57008V020000	ENGINE MOUNT PLATE,UPPER	2	1.80
TNT135	13	F11	58700V020000	SIDE STAND ASSY	1	20.40
TNT135	14	F11	57003J360000	SPRING,SIDE STAND	1	2.80
TNT135	15	F11	57005V030000	BOLT M10×1.25×33	1	1.80
TNT135	16	F11	B04011012554	NUT M10×1.25	1	1.60
TNT135	17	F11	49360V020000	FIXING BRACKET,AIR CLEANER	1	9.00
TNT135	18	F11	B02810803062	BOLT M8×1.25×30	2	2.60
TNT135	19	F11	B0700000080L	SPRING WASHER 8	2	0.60
TNT135	20	F11	65613P260000	BUSH	2	2.30
TNT135	21	F11	65617H010010	RUBBER WASHER	2	1.10
TNT135	22	F11	65618J000000	RUBBER CUSHION	2	0.60
TNT135	23	F11	58070V020000	INSTALL SEAT,SEAT LOCK	1	11.80
TNT135	24	F11	B01090603065	BOLT M6×30	2	0.40
TNT135	25	F11	B07090000605	WASHER	2	0.30
TNT135	26	F11	65618J820000	RUBBER CUSHION	2	0.40
TNT135	27	F11	08333V020000	BUSH	2	2.60
TNT135	28	F11	58430J000000	CLIP	3	1.60
TNT135	29	F11	57590V020003	INSTALL SEAT,REGULATOR	1	3.60

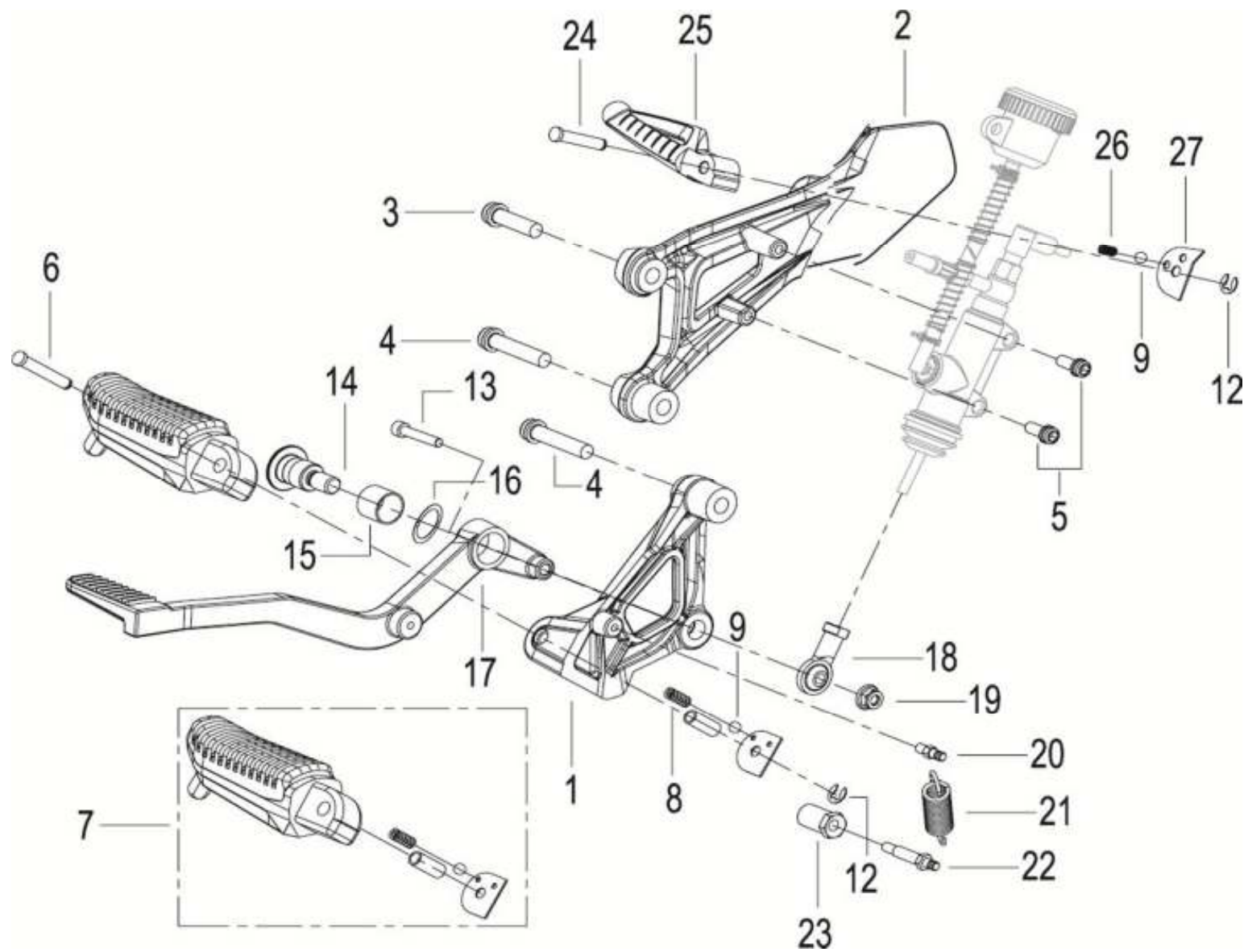
MODEL	NO.	Position No.	CODE	EN DESCRIPTION	Qty/Unit	Price (RM)
TNT135	30	F11	43070V020000	CLUTCH CABLE CLAMP	1	3.10
TNT135	31	F11	57001N220001	LABEL PLATE	1	1.20
TNT135	32	F11	B10000300600	RIVET 3×6	2	0.30
TNT135	33	F11	B01090601665	BOLT M6×16	4	0.40
TNT135	34	F11	58752J00000A	BATTERY SPONGE CUSHION	1	0.40
TNT135	35	F11	B0703000080L	WASHER 8	2	0.40

F12 脚踏 PEDAL ASSY.



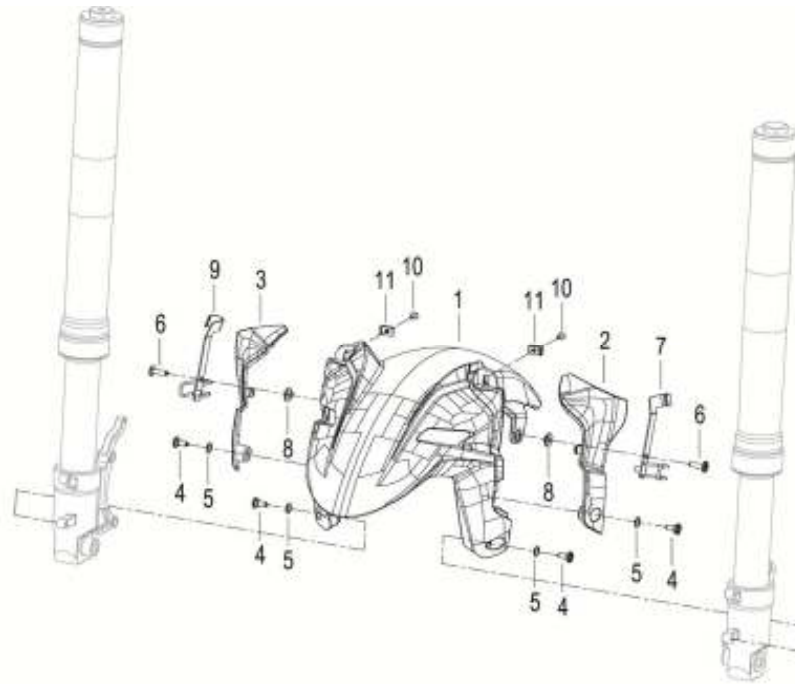
MODEL	NO.	Position No.	CODE	EN DESCRIPTION	Qty/Unit	Price (RM)
TNT135	1	F12	58226V020000	LEFT FRONT FOOTREST BRACKET	1	81.70
TNT135	2	F12	58266V020000	RIGHT REAR FOOT PEG BRACKET	1	132.50
TNT135	3	F12	B02810803062	BOLT M8×1.25×30	1	2.60
TNT135	4	F12	B02810804062	BOLT M8×1.25×40	2	1.80
TNT135	5	F12	B02810803562	BOLT M8×1.25×35	1	1.50
TNT135	6	F12	58217P260000	FOOTPEG MOUNTING PIN	1	2.80
TNT135	7	F12	58220V020000	LEFT FRONT FOOTREST ASSY.	1	71.10
TNT135	8	F12	58222J040001	PEDAL SPRING	1	1.10
TNT135	9	F12	B06000002000	REAR FOOTREST BALL	2	0.30
TNT135	12	F12	B0882000050A	CLIP Φ5	2	0.30
TNT135	13	F12	58217S010001	FOOTPEG MOUNTING PIN	1	3.50
TNT135	14	F12	58266S010000	LEFT REAR FOOTPEG	1	64.80
TNT135	15	F12	58262S010000	REAR FOOTREST TORSION SPRING	1	9.40
TNT135	16	F12	58451S010000	FOOTREST BRACKET PLATE	1	1.00
TNT135	17	F12	08011V020000	BOLT	1	2.60
TNT135	18	F12	08370V020100	SHIFT LEVER COMPONENTS	1	17.60
TNT135	19	F12	B02050602564	SCREW M6×25	2	0.70
TNT135	20	F12	08376V020000	M6 LEFT SECTION HEAD	1	19.90
TNT135	21	F12	B04170600042	SELF-LOCKING NUT M6	2	0.70
TNT135	22	F12	08051S040010	NUT M6-LH	1	3.90
TNT135	23	F12	08371V020000	CONNECTING ROD	1	16.80
TNT135	24	F12	B04800600052	NUT M6	1	0.30
TNT135	25	F12	08375V020000	SECTION HEAD	1	19.90
TNT135	26	F12	08386P100000	INSTALL SEAT,SHIFT LEVER	1	22.90
TNT135	27	F12	B01090602065	BOLT M6×20	1	0.40

F13 脚踏 PEDAL ASSY.



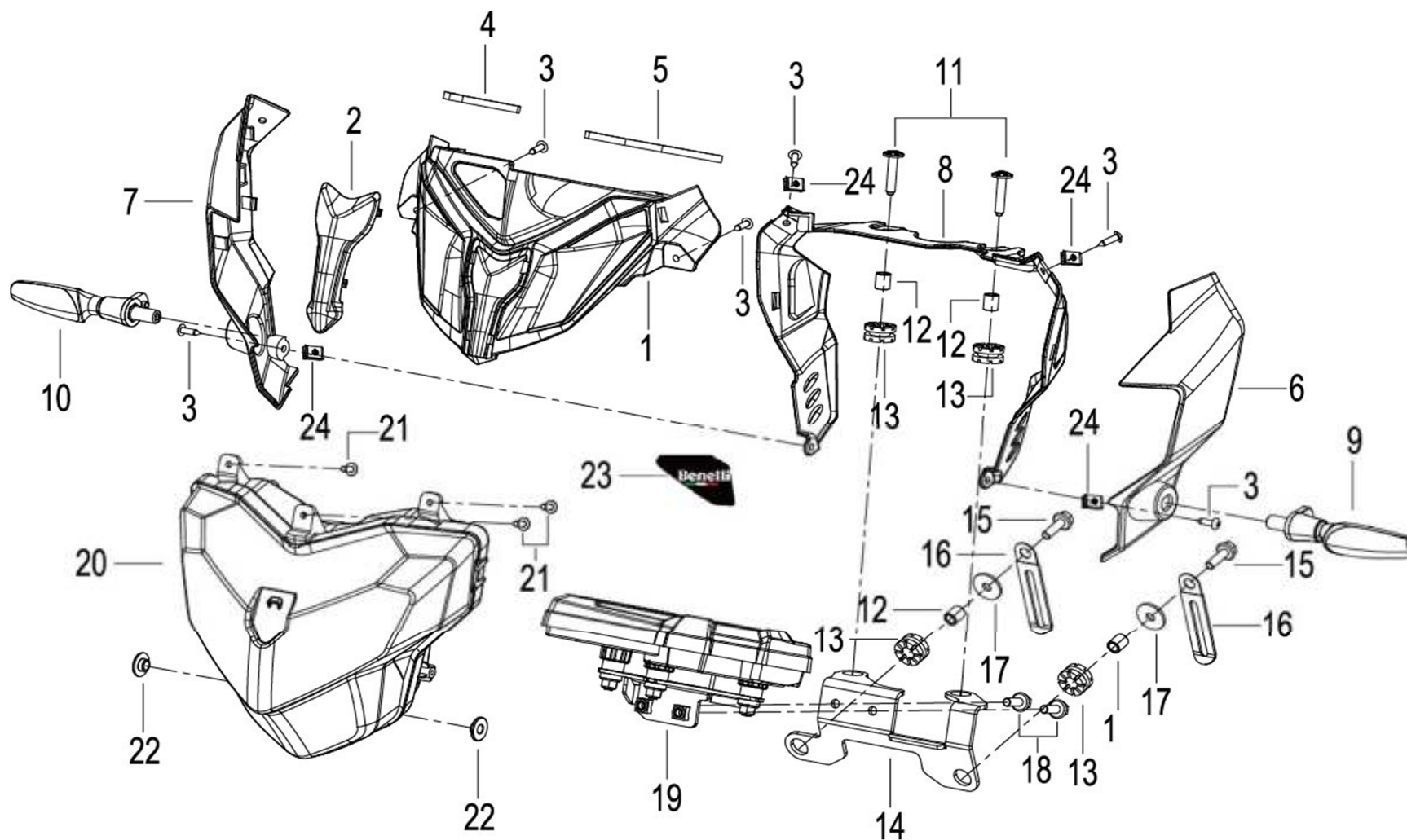
MODEL	NO.	Position No.	CODE	EN DESCRIPTION	Qty/Unit	Price (RM)
TNT135	1	F13	58246V020000	RIGHT FRONT FOOT PEG BRACKET	1	81.70
TNT135	2	F13	58286V020000	RIGHT REAR PEDAL STENTS	1	132.50
TNT135	3	F13	B02810803062	BOLT M8×1.25×30	1	2.60
TNT135	4	F13	B02810804062	BOLT M8×1.25×40	2	1.80
TNT135	5	F13	B01090602065	BOLT M6×20	2	0.40
TNT135	6	F13	58217P260000	FOOTPEG MOUNTING PIN	1	2.80
TNT135	7	F13	58240V020000	FR.PEDAL ASSY R	1	71.10
TNT135	8	F13	58222J040001	PEDAL SPRING	1	1.10
TNT135	9	F13	B06000002000	REAR FOOTREST BALL	2	0.30
TNT135	12	F13	B0882000050A	CLIP Φ5	2	0.30
TNT135	13	F13	B02050603562	GRIP END SCREW M6×35	1	1.00
TNT135	14	F13	40706P250001	SCREW	1	18.50
TNT135	15	F13	58511S010000	SELF-LUBRICATING BUSHINGS	1	4.30
TNT135	16	F13	58216S010000	WASHER	1	2.30
TNT135	17	F13	40712V020000	KICK	1	80.40
TNT135	18	F13	40283S010000	BRAKE PEDAL JOINT M6	1	27.20
TNT135	19	F13	B04170600042	SELF-LOCKING NUT M6	1	0.70
TNT135	20	F13	40273P250000	UPPER SPRING DOWEL	1	0.30
TNT135	21	F13	40702P100002	THE REAR BRAKE RETURN SPRING	1	1.90
TNT135	22	F13	40717P250000	LOWER SPRING DOWEL	1	1.90
TNT135	23	F13	40705P250000	ECCENTRIC PUSH ROD	1	4.40
TNT135	24	F13	58217S010001	FOOTPEG MOUNTING PIN	1	3.50
TNT135	25	F13	58286S010000	RIGHT REAR PEDAL	1	64.80
TNT135	26	F13	58262S010000	REAR FOOTREST TORSION SPRING	1	9.40
TNT135	27	F13	58451S010000	FOOTREST BRACKET PLATE	1	1.00

F14 前挡泥板 FRONT FENDER



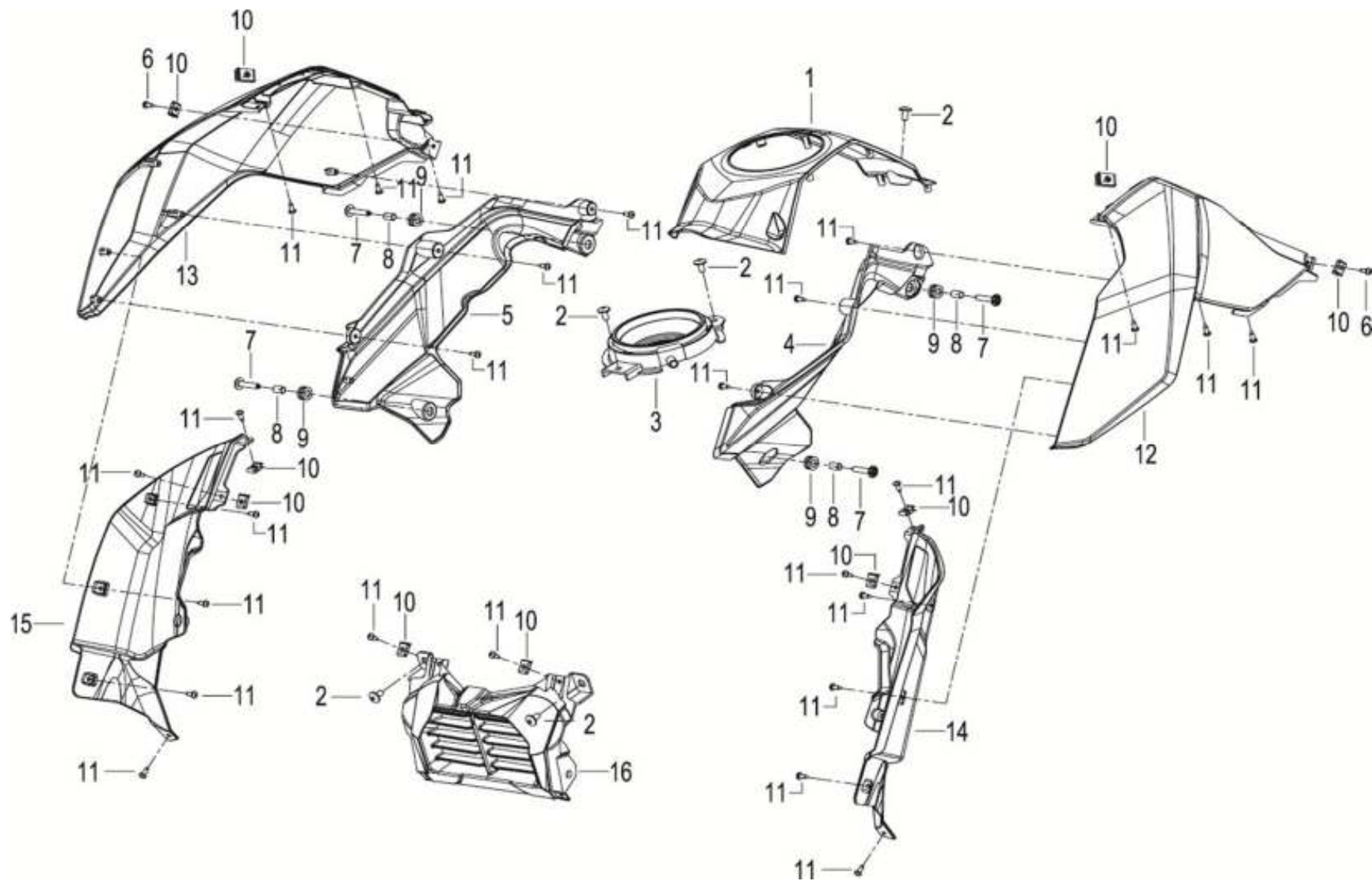
MODEL	NO.	Position No.	CODE	EN DESCRIPTION	Qty/Unit	Price (RM)
TNT135	1	F14	65101V020010	FRONT FENDER,GRAPHITE BLACK/MATTE BLACK BC/BG,without sticker	1	132.80
TNT135	1	F14	65101V020020	FRONT FENDER,RED/MATTE BLACK F9/BG,without sticker	1	132.80
TNT135	1	F14	65101V020030	FRONT FENDER,WHITE/MATTE BLACK WF/BG,without sticker	1	132.80
TNT135	2	F14	65108V020000	DECORATIVE BOARD,LEFT	1	2.30
TNT135	3	F14	65116V020000	DECORATE BOARD,RIGHT	1	2.30
TNT135	4	F14	B0284060150A	SCREW M6×15.2	4	1.80
TNT135	5	F14	47936S010000	WASHER 6	4	2.20
TNT135	6	F14	B0284060200A	SCREW M6×20	2	2.30
TNT135	7	F14	43050V020000	CLIP	1	3.60
TNT135	8	F14	08305B400000	BUSH	2	0.70
TNT135	9	F14	45350V020000	CLIP	1	3.60
TNT135	10	F14	B05074201305	TAPPING SCREW ST4.2×13	2	0.30
TNT135	11	F14	65801T020001	INSERT ST4.2	2	0.30

F15 导流罩 COWLING



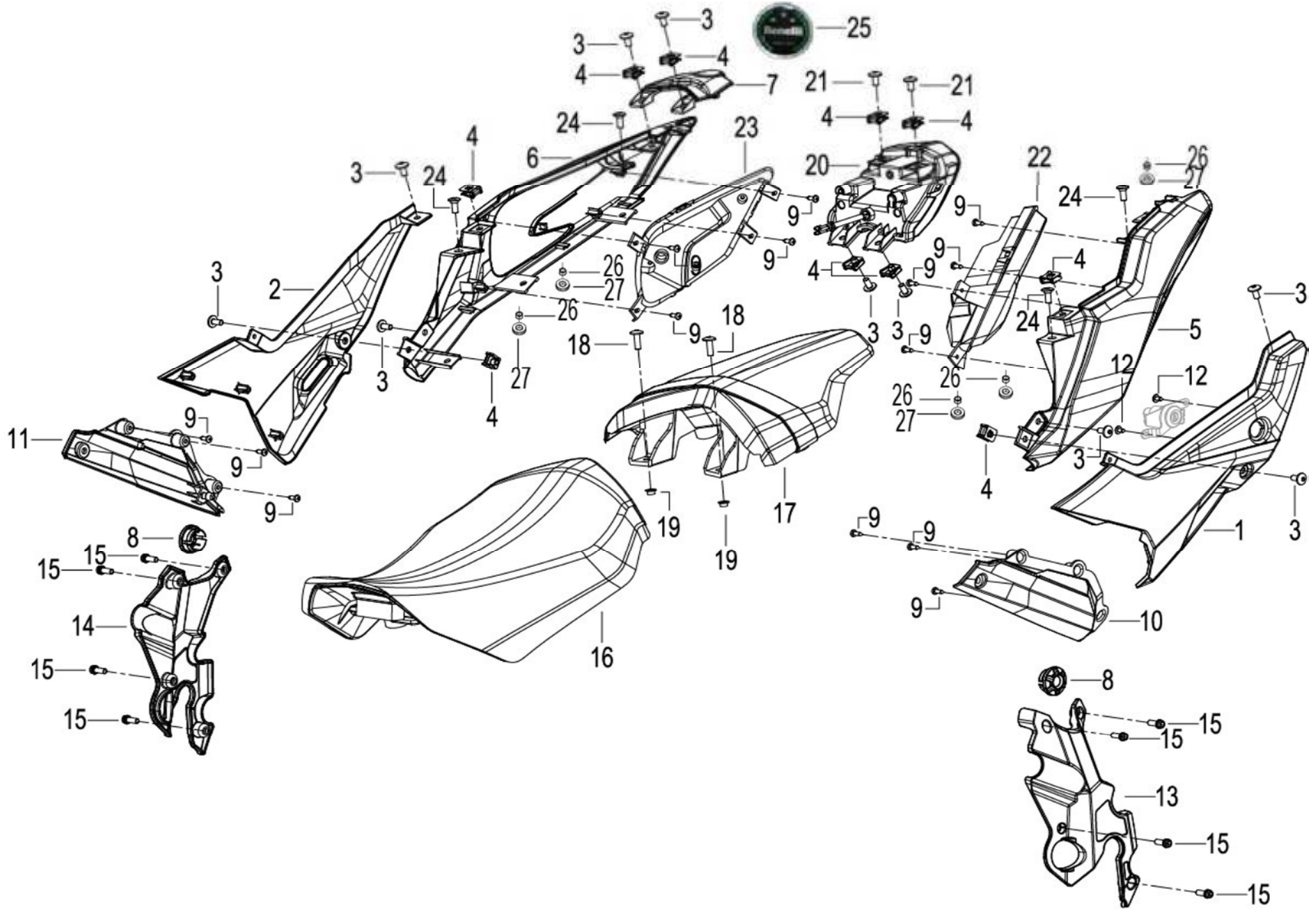
MODEL	NO.	Position No.	CODE	EN DESCRIPTION	Qty/Unit	Price (RM)
TNT135	1	F15	65501V02BG00	COWLING,MATTE BLACK BG	1	29.60
TNT135	2	F15	65542V020000	DECORATIVE BOARD,COWLING	1	1.40
TNT135	3	F15	B05074201605	TAPPING SCREW ST4.2×16	6	0.30
TNT135	4	F15	65511V020000	SPONGE 1	1	0.60
TNT135	5	F15	65512V020000	SPONGE 2	1	0.60
TNT135	6	F15	65521V02BC00	FIXING BOARD,LEFT,GRAPHITE BLACK BC	1	19.90
TNT135	6	F15	65521V02F900	FIXING BOARD,LEFT,RED F9	1	19.90
TNT135	6	F15	65521V02WF00	FIXING BOARD,LEFT,WHITE WF	1	19.90
TNT135	7	F15	65531V02BC00	FIXING BOARD,RIGHT,GRAPHITE BLACK BC	1	19.90
TNT135	7	F15	65531V02F900	FIXING BOARD,RIGHT,RED F9	1	19.90
TNT135	7	F15	65531V02WF00	FIXING BOARD,RIGHT,WHITE WF	1	19.90
TNT135	8	F15	65541V020000	INNER PLATE,COWLING	1	3.40
TNT135	9	F15	81100V020000	FRONT LEFT TURN SIGNAL LIGHT	1	113.50
TNT135	10	F15	81300V020000	FRONT RIGHT TURN SIGNAL LIGHT	1	113.50
TNT135	11	F15	B0284060300A	SCREW M6×30	2	1.60
TNT135	12	F15	65913J820000	COVER BUSH	4	0.70
TNT135	13	F15	65618J820000	RUBBER CUSHION	4	0.40
TNT135	14	F15	08331V020000	FIXING BOARD,HEAD LIGHT	1	8.20
TNT135	15	F15	B01090602065	BOLT M6×20	2	0.40
TNT135	16	F15	58430J670000	CLIP	2	1.20
TNT135	17	F15	B07090000605	WASHER 6	2	0.30
TNT135	18	F15	B01090601665	BOLT M6×16	2	0.40
TNT135	19	F15	70000V020001	METER ASSY	1	448.10
TNT135	20	F15	80000V020001	HEAD LIGHT	1	1030.40
TNT135	21	F15	B05074201305	TAPPING SCREW ST4.2×13	3	0.30
TNT135	22	F15	08305B400000	BUSH	2	0.70
TNT135	23	F15	05501V020000	LABEL	1	5.10
TNT135	24	F14	65801T020001	INSERT ST4.2	4	0.30

F16 油箱护板 GUARD BOARD, FUEL TANK



MODEL	NO.	Position No.	CODE	EN DESCRIPTION	Qty/Unit	Price (RM)
TNT135	1	F16	65672V02BG10	AMONG TANK GUARD BOARD,MATTE BLACK BG	1	44.90
TNT135	2	F16	B02830601462	SCREW M6×14	5	0.40
TNT135	3	F16	65679V020000	FIXING BOARD,FUEL TANK LOCK	1	10.40
TNT135	4	F16	65673V020000	LEFT SIDE COVER,FUEL TANK	1	6.70
TNT135	5	F16	65674V020000	RIGHT SIDE COVER,FUEL TANK	1	6.70
TNT135	6	F16	B05074201015	TAPPING SCREW ST4.2×10	2	0.30
TNT135	7	F16	B02830602562	SCREW M6×25	4	1.00
TNT135	8	F16	47312T100000	WASHER	4	0.40
TNT135	9	F16	43038P250000	RUBBER CUSHION	4	0.40
TNT135	10	F16	65801T020001	INSERT ST4.2	10	0.30
TNT135	11	F16	B05074201305	TAPPING SCREW ST4.2×13	26	0.30
TNT135	12	F16	50015V02BC00	FRONT LEFT SIDE COVER,FUEL TANK,GRAPHITE BLACK BC,without sticker	1	75.20
TNT135	12	F16	50015V02F900	FRONT LEFT SIDE COVER,FUEL TANK,RED F9,without sticker	1	75.20
TNT135	12	F16	50015V02WF00	FRONT LEFT SIDE COVER,FUEL TANK,WHITE WF,without sticker	1	75.20
TNT135	12	F16	50015V02001Z	FRONT LEFT SIDE COVER,FUEL TANK,GRAPHITE BLACK BC,with sticker	1	75.20
TNT135	12	F16	50015V02002Z	FRONT LEFT SIDE COVER,FUEL TANK,RED F9,with sticker	1	75.20
TNT135	12	F16	50015V02003Z	FRONT LEFT SIDE COVER,FUEL TANK,WHITE WF,with sticker	1	75.20
TNT135	13	F16	50016V02BC00	FRONT RIGHT SIDE COVER,FUEL TANK,GRAPHITE BLACK BC,without sticker	1	75.50
TNT135	13	F16	50016V02F900	FRONT RIGHT SIDE COVER,FUEL TANK,RED F9,without sticker	1	75.50
TNT135	13	F16	50016V02WF00	FRONT RIGHT SIDE COVER,FUEL TANK,without sticker	1	75.50
TNT135	13	F16	50016V02001Z	FRONT RIGHT SIDE COVER,FUEL TANK,GRAPHITE BLACK BC,with sticker	1	75.50
TNT135	13	F16	50016V02002Z	FRONT RIGHT SIDE COVER,FUEL TANK,RED F9,with sticker	1	75.50
TNT135	13	F16	50016V02003Z	FRONT RIGHT SIDE COVER,FUEL TANK,with sticker	1	75.50
TNT135	14	F16	65675V020000	LEFT SIDE CONNECTING BOARD,FUEL TANK	1	6.20
TNT135	15	F16	65676V020000	RIGHT SIDE CONNECTING BOARD,FUEL TANK	1	6.20
TNT135	16	F16	65677V020003	COVER THE FRONT DECORATION	1	6.40

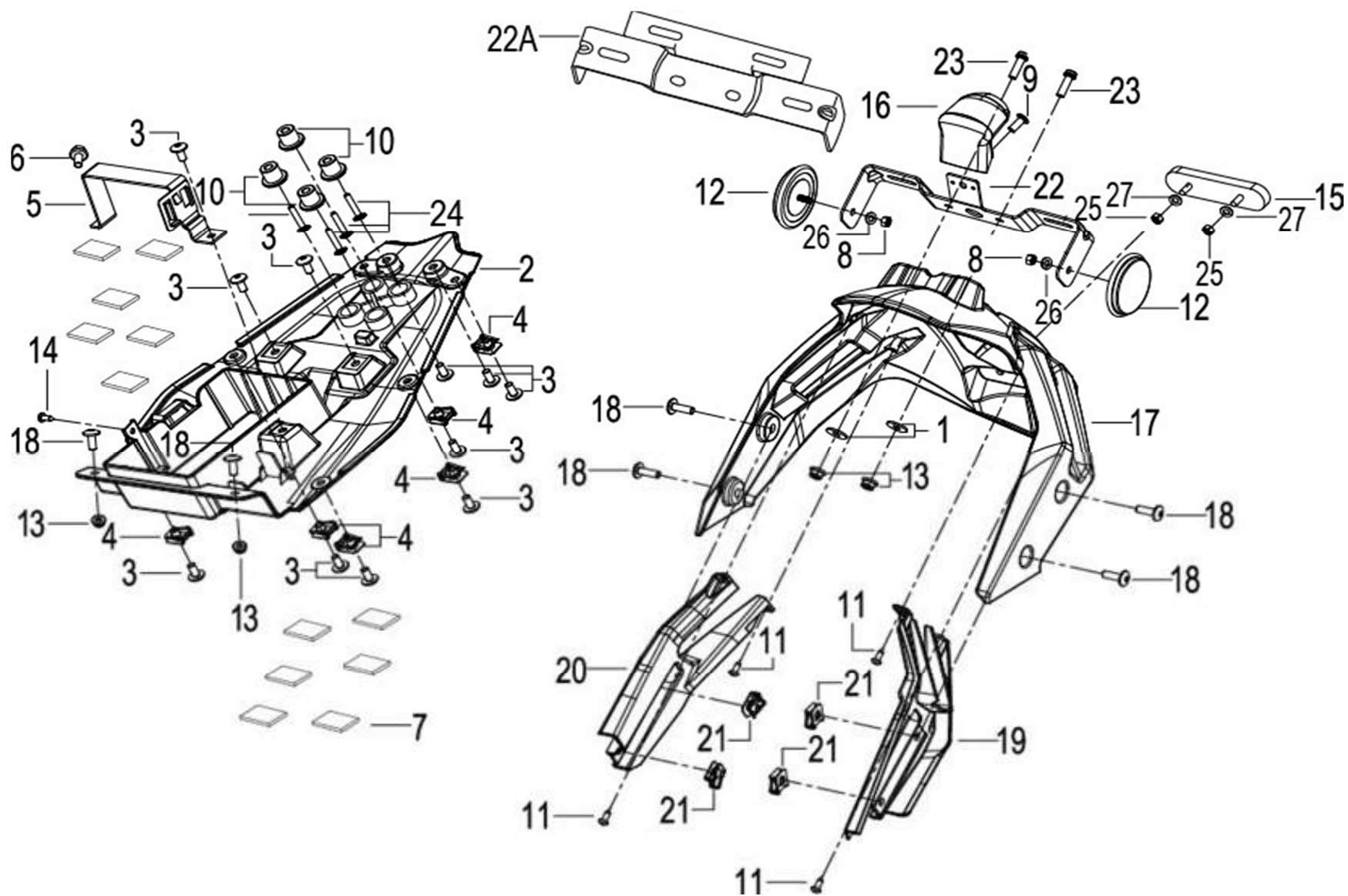
F17 座垫&尾灯&转向灯&护板 SEAT&TAIL LIGHT&REAR TURN SIGNAL&SIDE COVER



MODEL	NO.	Position No.	CODE	EN DESCRIPTION	Qty/Unit	Price (RM)
TNT135	1	F17	65601V02BG01	LEFT SIDE COVER,MATTE BLACK BG	1	54.00
TNT135	1	F17	65601V02001Z	LEFT SIDE COVER,MATTE BLACK BG,with sticker	1	54.00
TNT135	2	F17	65602V02BG01	RIGHT SIDE COVER,MATTE BLACK BG	1	53.80
TNT135	2	F17	65602V02001Z	RIGHT SIDE COVER,MATTE BLACK BG,with sticker	1	53.80
TNT135	3	F17	B02830601462	SCREW M6×14	10	0.40
TNT135	4	F17	65625J560000	CARD NUT M6	10	1.40
TNT135	5	F17	65901V02BC01	LEFT TAIL COVER,FUEL TANK,GRAPHITE BLACK BC,without sticker	1	63.80
TNT135	5	F17	65901V02F901	LEFT TAIL COVER,FUEL TANK,RED F9,without sticker	1	63.80
TNT135	5	F17	65901V02WF01	LEFT TAIL COVER,FUEL TANK,WHITE WF,without sticker	1	63.80
TNT135	5	F17	65901V02001Z	LEFT TAIL COVER,FUEL TANK,GRAPHITE BLACK BC,with sticker	1	63.80
TNT135	5	F17	65901V02002Z	LEFT TAIL COVER,FUEL TANK,RED F9,with sticker	1	63.80
TNT135	5	F17	65901V02003Z	LEFT TAIL COVER,FUEL TANK,WHITE WF,with sticker	1	63.80
TNT135	6	F17	65902V02BC01	RIGHT TAIL COVER,FUEL TANK,GRAPHITE BLACK BC,without sticker	1	62.40
TNT135	6	F17	65902V02F901	RIGHT TAIL COVER,FUEL TANK,RED F9,without sticker	1	62.40
TNT135	6	F17	65902V02WF01	RIGHT TAIL COVER,FUEL TANK,WHITE WF,without sticker	1	62.40
TNT135	6	F17	65902V02001Z	RIGHT TAIL COVER,FUEL TANK,GRAPHITE BLACK BC,with sticker	1	62.40
TNT135	6	F17	65902V02002Z	RIGHT TAIL COVER,FUEL TANK,RED F9,with sticker	1	62.40
TNT135	6	F17	65902V02003Z	RIGHT TAIL COVER,FUEL TANK,WHITE WF,with sticker	1	62.40
TNT135	7	F17	65907V02BG00	CONNECTING BOARD,LEFT&RIGHT TAIL COVER,MATTE BLACK BG	1	10.40
TNT135	8	F17	65532V02C800	DECORATIVE COVER,SILVER C8	2	2.60
TNT135	9	F17	B05074201305	TAPPING SCREW ST4.2×13	14	0.30
TNT135	10	F17	65621V020000	LEFT DECORATIVE COVER,SIDE COVER	1	2.80
TNT135	11	F17	65622V020000	RIGHT DECORATIVE COVER,SIDE COVER	1	2.80
TNT135	12	F17	B05074201015	TAPPING SCREW ST4.2×10	2	0.30
TNT135	13	F17	58211V020000	LEFT DECORATIVE COVER	1	4.20
TNT135	14	F17	58311V020000	RIGHT DECORATIVE COVER	1	4.20
TNT135	15	F17	B02810601462	SCREW M6×14	8	0.40
TNT135	16	F17	51100V020010	SEAT ASSY,FRONT	1	95.00
TNT135	17	F17	51200V020010	SEAT ASSY,REAR	1	66.00
TNT135	18	F17	B02830601962	BOLT M6×19	2	0.70

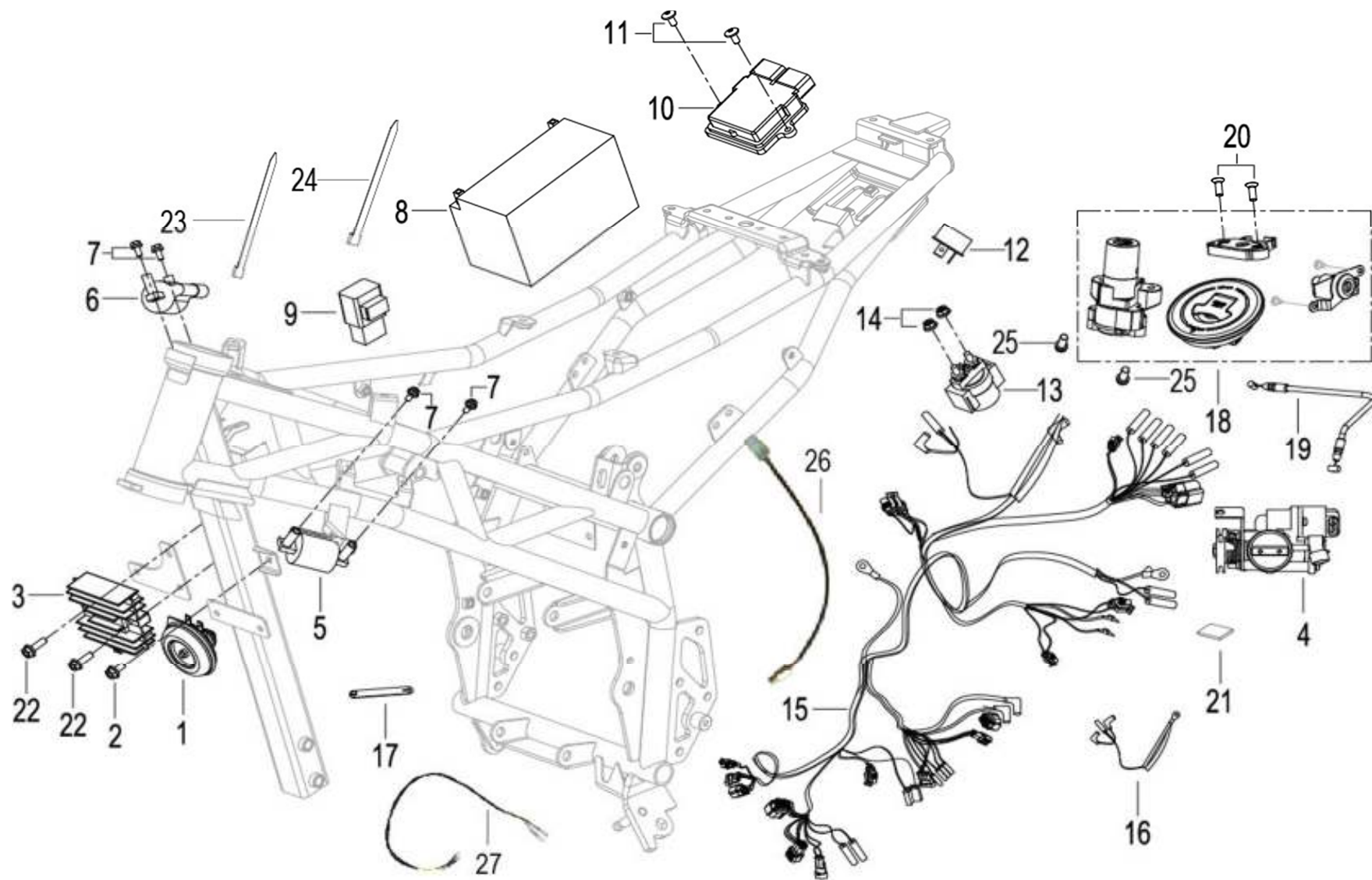
MODEL	NO.	Position No.	CODE	EN DESCRIPTION	Qty/Unit	Price (RM)
TNT135	19	F17	47128B450000	SPACER	2	1.00
TNT135	20	F17	82000V020000	TAIL LIGHT	1	119.10
TNT135	21	F17	B02830601262	SCREW M6×12	2	0.40
TNT135	22	F17	81500V020000	REAR LEFT TURN SIGNAL LIGHT	1	117.20
TNT135	23	F17	81700V020000	REAR RIGHT TURN SIGNAL LIGHT	1	117.20
TNT135	24	F17	B02830601462	SCREW M6×14	4	0.40
TNT135	25	F17	05502V020000	LABEL	1	2.80
TNT135	26	F17	08061K670000	BUSH	5	0.70
TNT135	27	F17	47028G220000	RUBBER BUSH	5	0.30

挡泥板 REAR FENDER



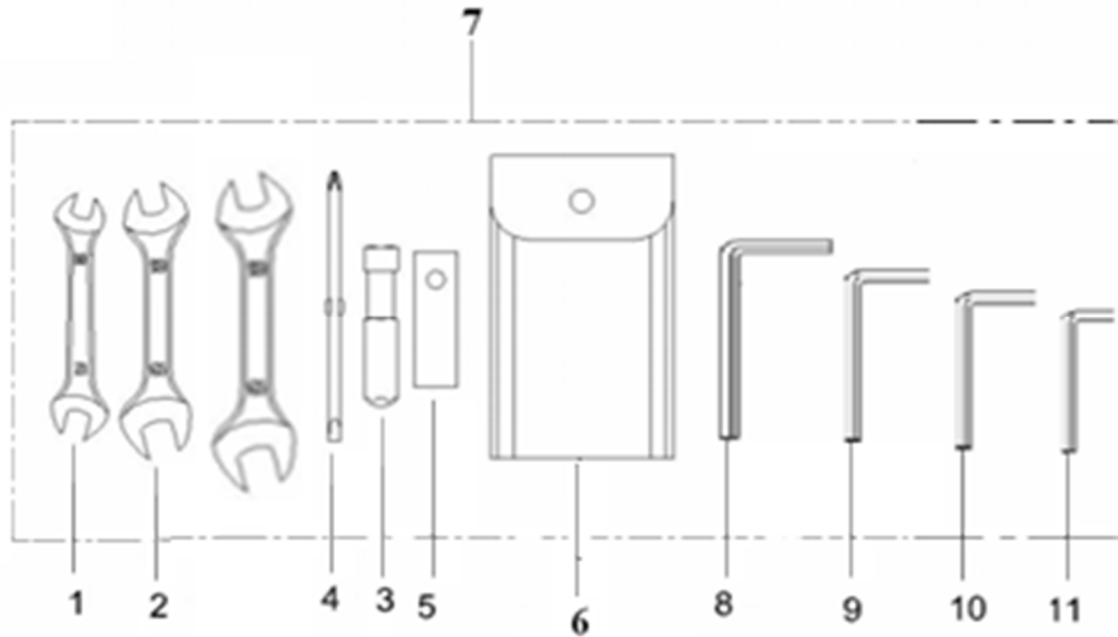
MODEL	NO.	Position No.	CODE	EN DESCRIPTION	Qty/Unit	Price (RM)
TNT135	1	F18	B07020000605	WASHER Φ6	2	0.30
TNT135	2	F18	65731V020000	FORESIDE ,RR. FENDER	1	66.50
TNT135	3	F18	B02830601462	SCREW M6×14	12	0.40
TNT135	4	F18	65625J560000	CARD NUT M6	6	1.40
TNT135	5	F18	58820V020000	FIXING PLATE,BATTERY	1	4.20
TNT135	6	F18	B01090601665	BOLT M6×16	1	0.40
TNT135	7	F18	58752J00000A	BATTERY SPONGE CUSHION	12	0.40
TNT135	8	F18	B04000600053	NUT M6	2	0.40
TNT135	9	F18	B05004201304	SCREW ST4.2×13	1	0.30
TNT135	10	F18	65711V020000	SPACER,REAR FENDER	4	1.80
TNT135	11	F18	B05074201305	TAPPING SCREW ST4.2×13	7	0.30
TNT135	12	F18	86300N060000	FRONT SIDE REFLECTOR	2	3.90
TNT135	13	F18	B04170600042	NUT M6	4	0.70
TNT135	14	F18	B05074201015	TAPPING SCREW ST4.2×10	1	0.30
TNT135	15	F18	86500B300000	REAR REFLECTOR	1	12.30
TNT135	16	F18	82900V020000	REAR LICENSE PLATE LIGHT	1	9.50
TNT135	17	F18	65761V020003	REAR FENDER UNDERPART	1	46.10
TNT135	18	F18	B02830601962	BOLT M6×19	6	0.70
TNT135	19	F18	65762V020000	LEFT CONNECTING BOARD,REAR FENDER	1	9.80
TNT135	20	F18	65763V020000	RIGHT CONNECTING BOARD,REAR FENDER	1	9.50
TNT135	21	F18	65625J560000	CARD NUT M6	4	1.40
TNT135	22	F18	08254V020000	LICENSE PLATE BRACKET	1	7.60
TNT135	23	F18	B02810602062	SCREW M6×20	2	0.70
TNT135	24	F18	B0284060300A	SCREW M6×30	4	1.60
TNT135	25	F18	B04000500053	NUT M5	2	0.40
TNT135	26	F18	B07030000603	WASHER Φ6	2	0.40
TNT135	27	F18	B07030000503	WASHER Φ5	2	0.30

F19 电器 ELECTRICAL EQUIPMENT ASSY.



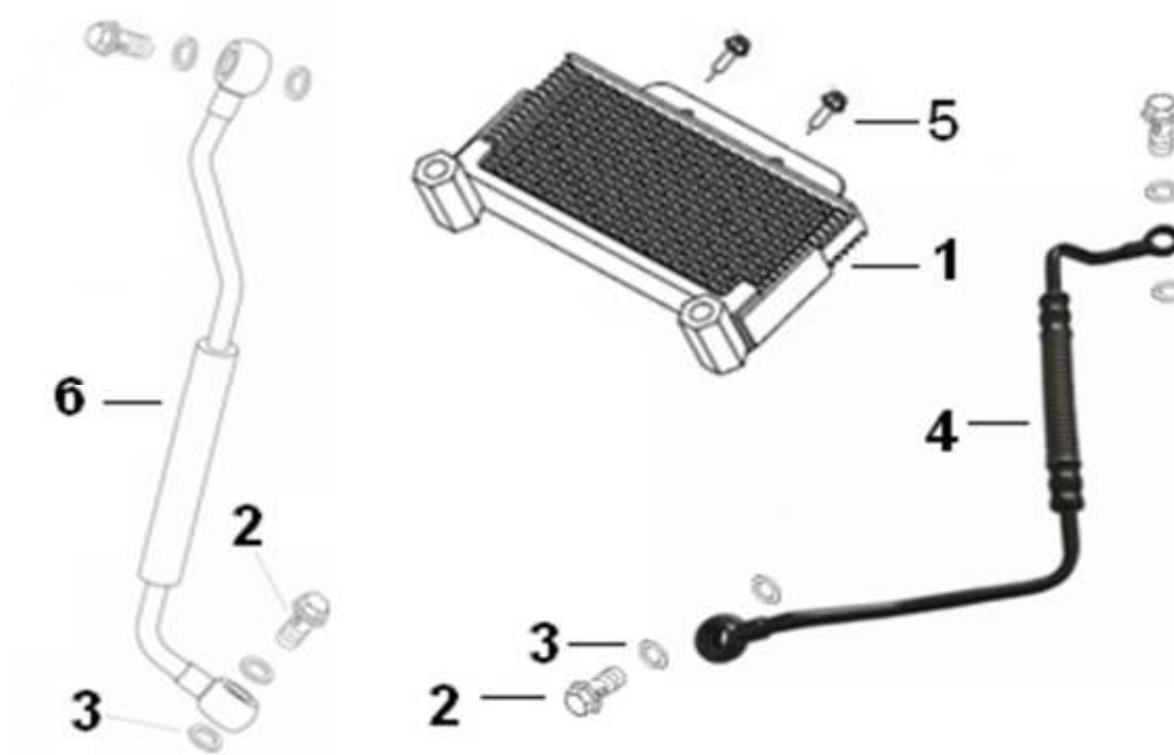
MODEL	NO.	Position No.	CODE	EN DESCRIPTION	Qty/Unit	Price (RM)
TNT135	1	F19	95100T490000	HORN	1	15.30
TNT135	2	F19	B01090601265	BOLT M6×12	1	0.40
TNT135	3	F19	299064010000	REGULATOR	1	65.40
TNT135	4	F19	289004320000	THROTTLE BODY ASSY.	1	338.10
TNT135	5	F19	96200V020000	IGNITION COIL	1	60.40
TNT135	6	F19	96200V020001	IGNITION COIL	1	60.40
TNT135	7	F19	B01090501065	BOLT M5×10	4	0.40
TNT135	8	F19	96010T030011	BATTERY	1	335.60
TNT135	9	F19	96400V020000	FLASHER	1	130.10
TNT135	10	F19	96C00V020004	ECU	1	814.40
TNT135	11	F19	B02830601462	SCREW M6×14	2	0.40
TNT135	12	F19	96700K060000	STARTER DIODE	1	4.30
TNT135	13	F19	94100V020000	STARTER RELAY	1	35.70
TNT135	14	F19	B04000600053	NUT M6	2	0.40
TNT135	15	F19	92000V020000	WIRE HARNESS ASSY.headlamp automatic on	1	674.60
TNT135	16	F19	92500V020000	EARTH WIRE	1	15.10
TNT135	17	F19	96003P250000	RUBBER CLIP	1	1.20
TNT135	18	F19	88000V020001	LOCK ASSY	1	169.50
TNT135	19	F19	58900V020000	SEAT LOCK CABLE ASSY	1	7.60
TNT135	20	F19	B02010602525	SCREW M6×25	2	0.30
TNT135	21	F19	58752J00000A	BATTERY SPONGE CUSHION	1	0.40
TNT135	22	F19	B01090602565	BOLT M6×25	2	0.70
TNT135	23	F19	40098B450000	BAND 3×150	5	0.40
TNT135	24	F19	96001J000000	BAND 150mm	5	0.60
TNT135	25	F19	B02070601622	SCREW M6×16	2	0.40
TNT135	26	F19	280013320000	TEMPRETURE SENSOR	1	50.20
TNT135	27	F19	84602V020000	TAIL LIGHT CABLE	1	

F20 随车工具 TOOL KIT ASSY.



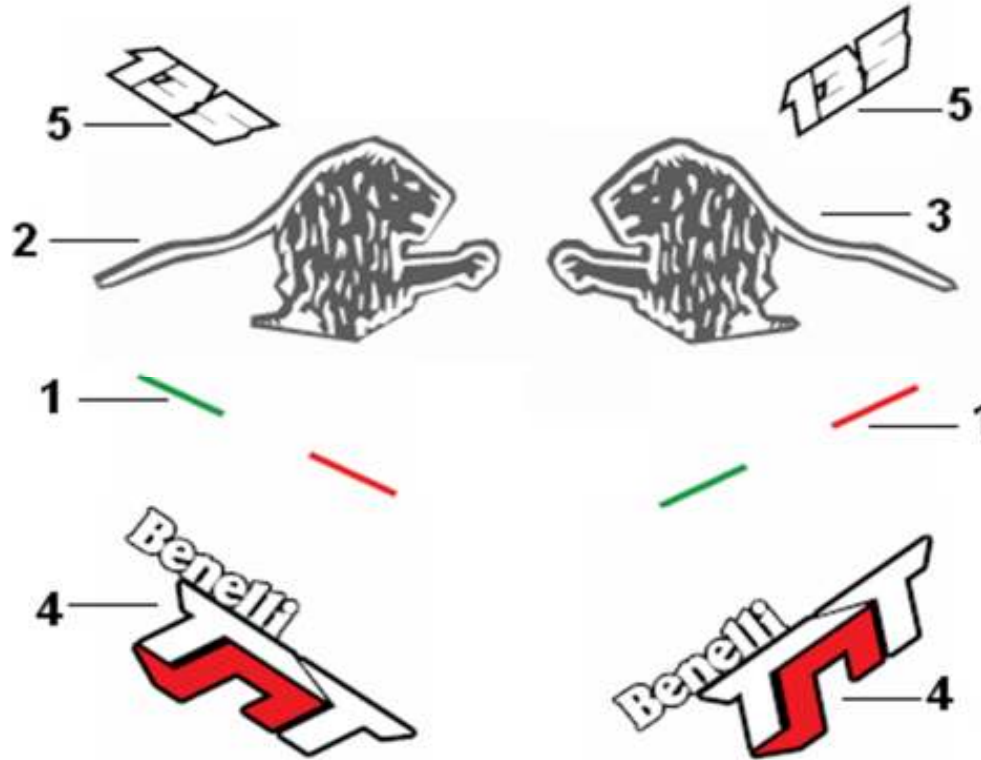
MODEL	NO.	Position No.	CODE	EN DESCRIPTION	Qty/Unit	Price (RM)
TNT135	1	F20	B20011001203	DOUBLE-ENDED SPANNER10-12	1	6.70
TNT135	2	F20	B20011301603	WRENCH13-16	1	7.50
TNT135	3	F20	02106J000000	DOUBLE-ENDED SCREW DRIVER HANDLE	1	3.20
TNT135	4	F20	02103J000000	DOUBLE-ENDED SCREW DRIVER	1	3.20
TNT135	5	F20	02102G010000	SOCKET, SPARK PLUG	1	4.40
TNT135	6	F20	B20011401703	WRENCH 14-17	1	8.00
TNT135	7	F20	02100B420000	TOOL KIT ASSY	1	35.00
TNT135	8	F20	B20020400003	INNER HEXAGONAL WRENCH 8	1	1.60
TNT135	9	F20	B20020500003	INNER HEXAGONAL WRENCH 6	1	3.20
TNT135	10	F20	B20020600003	INNER HEXAGONAL WRENCH 5	1	3.50
TNT135	11	F20	B20020800003	INNER HEXAGONAL WRENCH 4	1	4.00

F21 油冷器组件 OIL COOLER



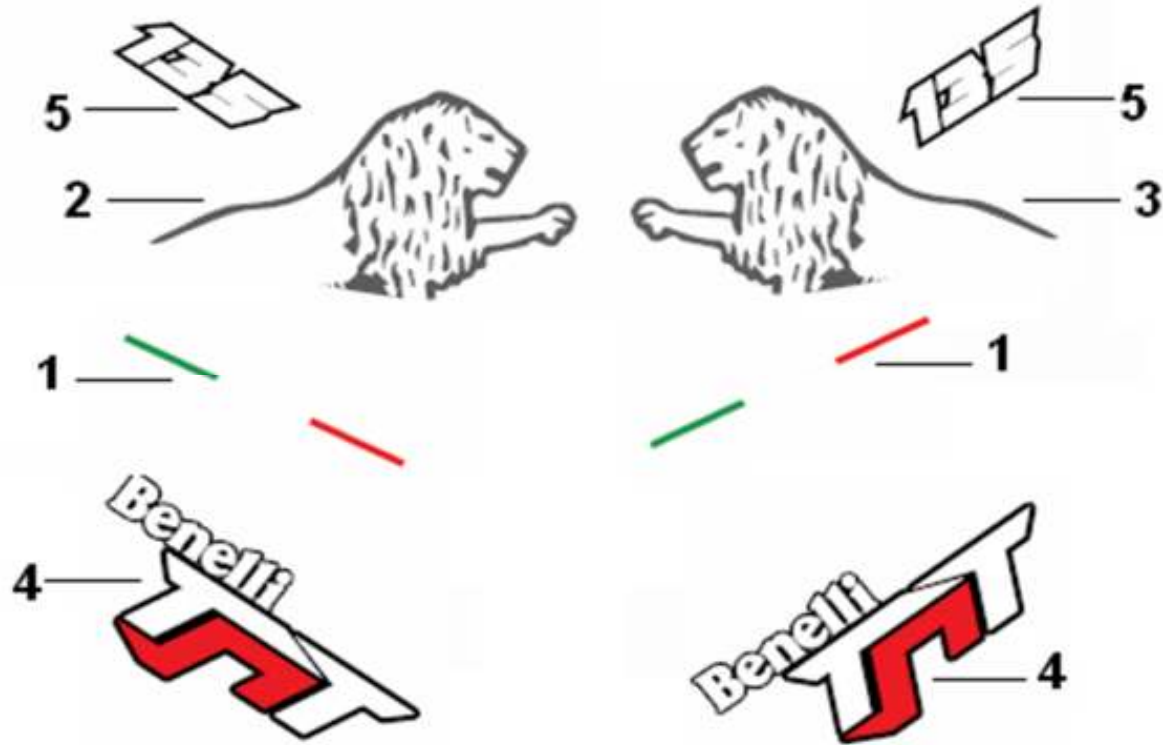
MODEL	NO.	Position No.	CODE	EN DESCRIPTION	Qty/Unit	Price (RM)
TNT135	1	F21	279235100030	OIL COOLER	1	222.60
TNT135	2	F21	15006404001X	BOLT	4	3.80
TNT135	3	F21	270105100000	WASHER	8	1.10
TNT135	4	F21	270124320000	PIPE	1	47.10
TNT135	5	F21	B01090601265	BOLT M6X12	2	0.40
TNT135	6	F21	279134320000	PIPE,OIL COOLER	1	47.10

F22 STICKER, FOR RED F9



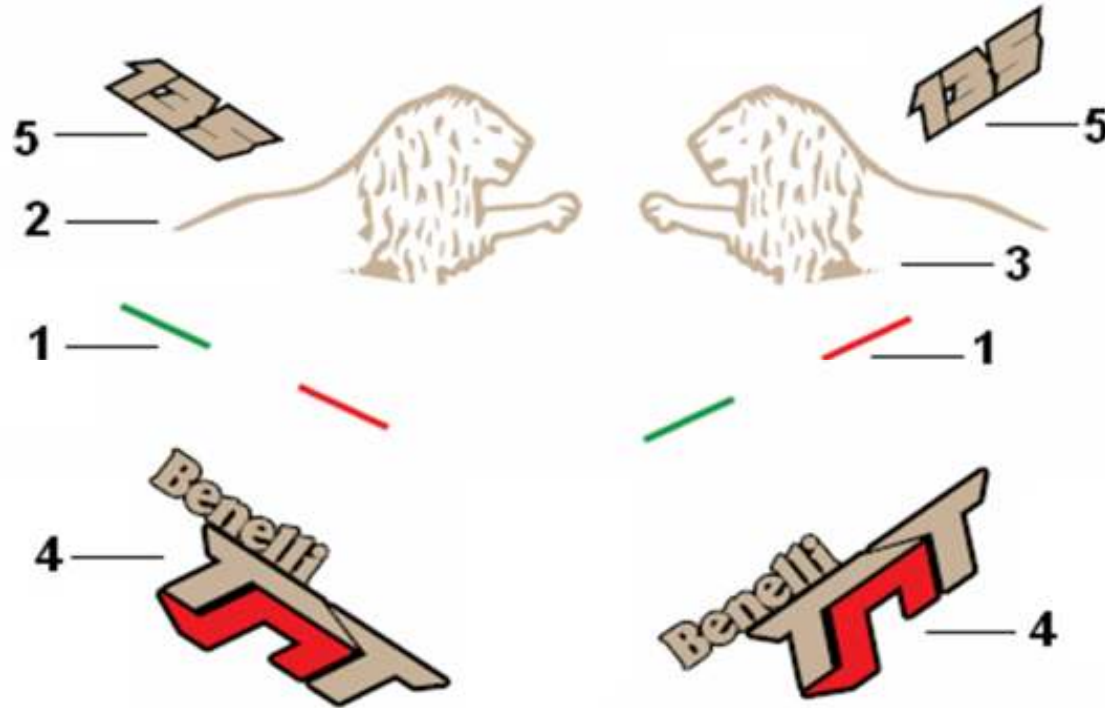
MODEL	NO.	Position No.	CODE	EN DESCRIPTION	Qty/Unit	Price (RM)
TNT135	1	F22	05511V020001	STICKER	2	0.30
TNT135	2	F22	05533V02WF01	REAR RIGHT STICKER,FUEL TANK	1	3.40
TNT135	3	F22	05532V02WF01	REAR LEFT STICKER,FUEL TANK	1	3.40
TNT135	4	F22	05531V02WF01	FRONT STICKER,FUEL TANK	1	3.10
TNT135	5	F22	05571V02WF01	REAR TAIL STICKER	2	1.40

F23 STICKER, FOR WHITE WF



MODEL	NO.	Position No.	CODE	EN DESCRIPTION	Qty/Unit	Price (RM)
TNT135	1	F23	05511V020001	STICKER	2	0.30
TNT135	2	F23	05533V02CJ01	REAR RIGHT STICKER,FUEL TANK	1	2.80
TNT135	3	F23	05532V02CJ01	REAR LEFT STICKER,FUEL TANK	1	2.80
TNT135	4	F23	05531V02WF01	FRONT STICKER,FUEL TANK	1	3.10
TNT135	5	F23	05571V02WF01	REAR TAIL STICKER	2	1.40

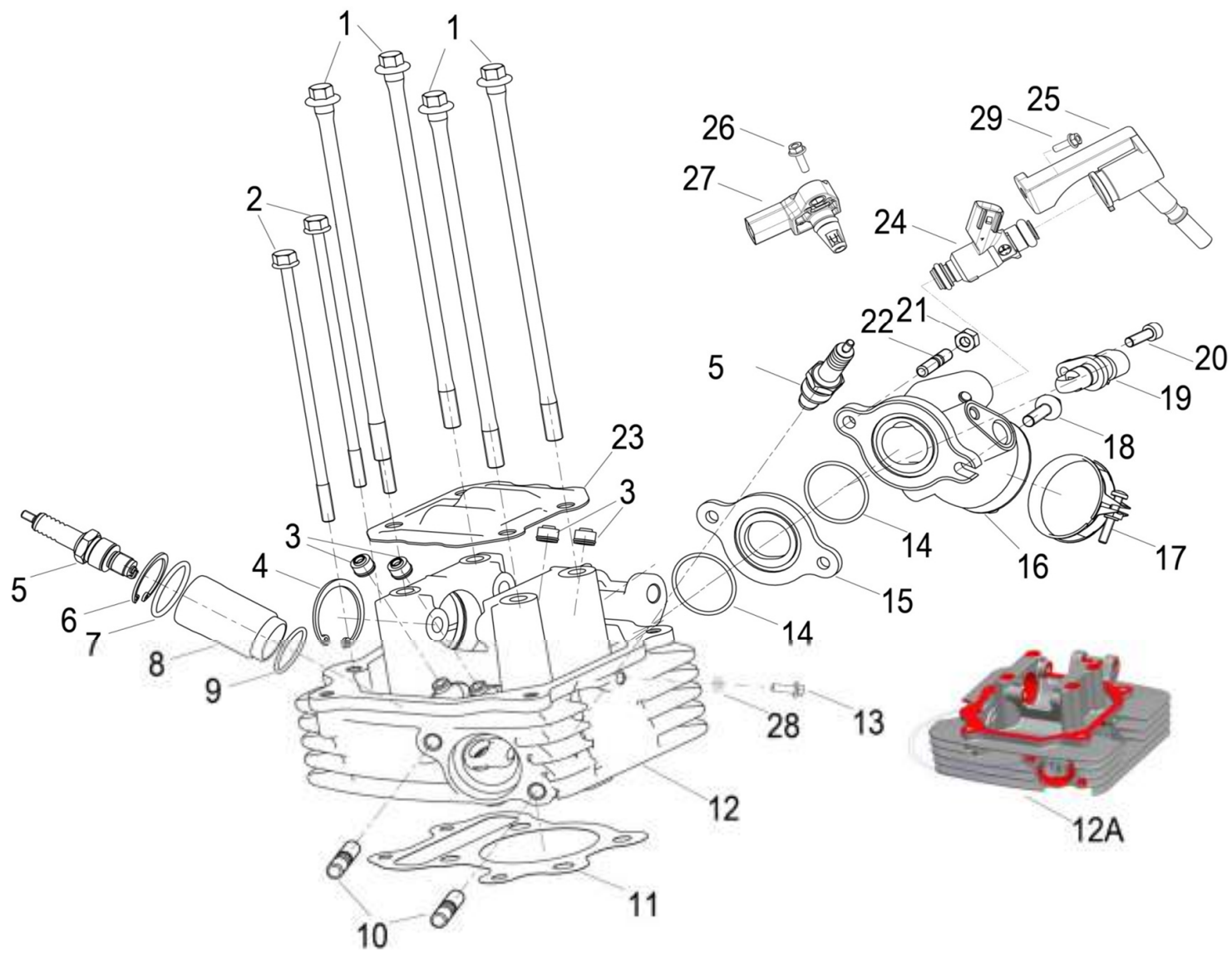
F24 STICKER, FOR GRAPHITE BLACK BC



MODEL	NO.	Position No.	CODE	EN DESCRIPTION	Qty/Unit	Price (RM)
TNT135	1	F24	05511V020001	STICKER	2	0.30
TNT135	2	F24	05533V02Y101	REAR RIGHT STICKER,FUEL TANK	1	3.40
TNT135	3	F24	05532V02Y101	REAR LEFT STICKER,FUEL TANK	1	3.40
TNT135	4	F24	05531V02Y101	FRONT STICKER,FUEL TANK	1	3.60
TNT135	5	F24	05571V02Y101	REAR TAIL STICKER	2	1.50

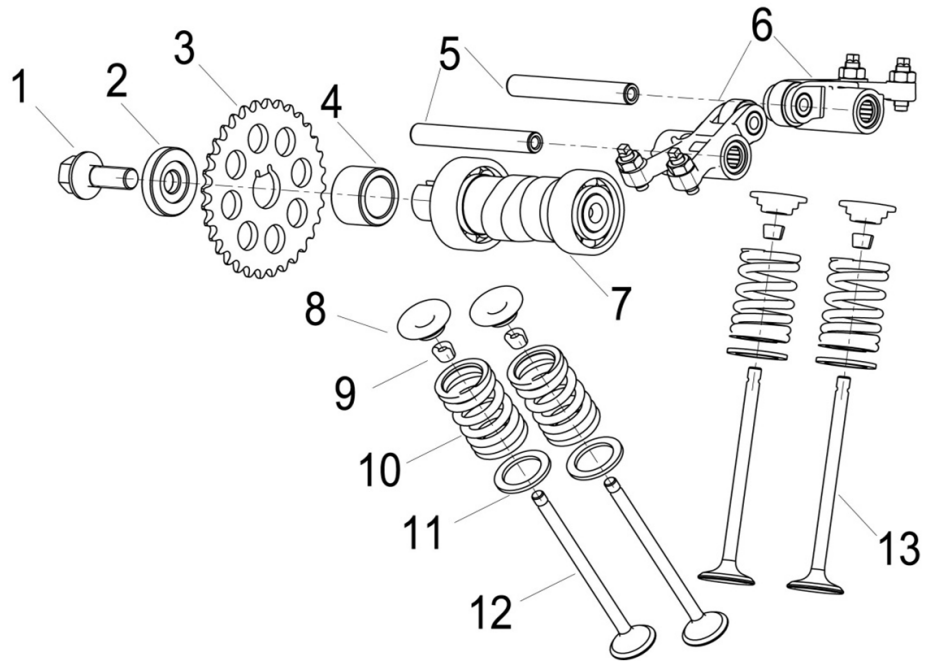
TNT135

E01 CYLINDER HEAD/CYLINDER HEAD COVER ASSEMBLY(气缸盖分总成)



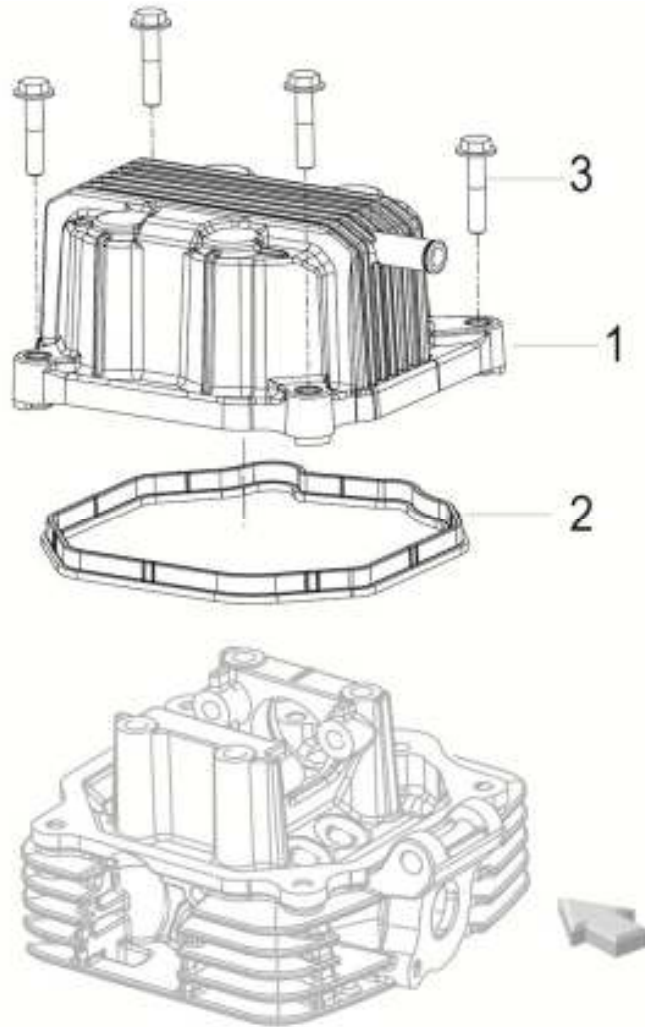
Model	NO.	Position No.	CODE	EN DESCRIPTION	Qty/Unit	Price (RM)
TNT135	1	E01	100114320000	CYLINDER HEAD BOLT	4	7.60
TNT135	2	E01	B01070613964	BOLT M6X139	2	2.60
TNT135	3	E01	120015090000	OIL SEAL, VALVE	4	3.50
TNT135	4	E01	B080000035A0	CIRCLIP	1	2.60
TNT135	5	E01	299074320000	SPARK PLUG A7RC	2	24.80
TNT135	6	E01	B08000002800	CIRCLIP	1	1.60
TNT135	7	E01	120202140000	O-RING	1	2.60
TNT135	8	E01	100014320000	SPARK PLUG COVER	1	7.60
TNT135	9	E01	100124320000	O-RING	1	2.60
TNT135	10	E01	10004609001X	SHORT STUDS	2	1.60
TNT135	11	E01	109074320000	CYLINDER HEAD GASKET	1	12.60
TNT135	12A	E01	109064320030	SHROUD · CYLINDER COVER	1	538.70
TNT135	13	E01	B01070601264	BOLT M6X12	1	1.10
TNT135	14	E01	B190103000A0	O-RING	2	1.10
TNT135	15	E01	119074320000	CUSHION	1	1.50
TNT135	16	E01	119014320010	INLET PIPE ASSY.	1	40.20
TNT135	17	E01	110043090013	CLAMP	1	1.40
TNT135	18	E01	B01070602264	BOLT M6X22	1	0.70
TNT135	20	E01	B02050501664	SCREW M5X16	1	0.40
TNT135	21	E01	B04000600054	NUT M6	1	0.40
TNT135	22	E01	100493070000	STUD BOLT M6X30	1	0.70
TNT135	23	E01	100034320000	OIL BAFFLE PLATE	1	4.20
TNT135	24	E01	289035210000	FUEL INJECTOR	1	318.90
TNT135	25	E01	289044320000	INJECTION HOUSING	1	2.60
TNT135	26	E01	B01070601864	BOLT M6X18	1	0.60
TNT135	27	E01	290016250000	INTAKE AIR PRESSURE SENSOR	1	197.60
TNT135	28	E01	120133090002	WASHER	1	1.40
TNT135	29	E01	B01070501664	BOLT M5X16	1	0.60

SM SUB-ASSEMBLY(配气机构分总成)



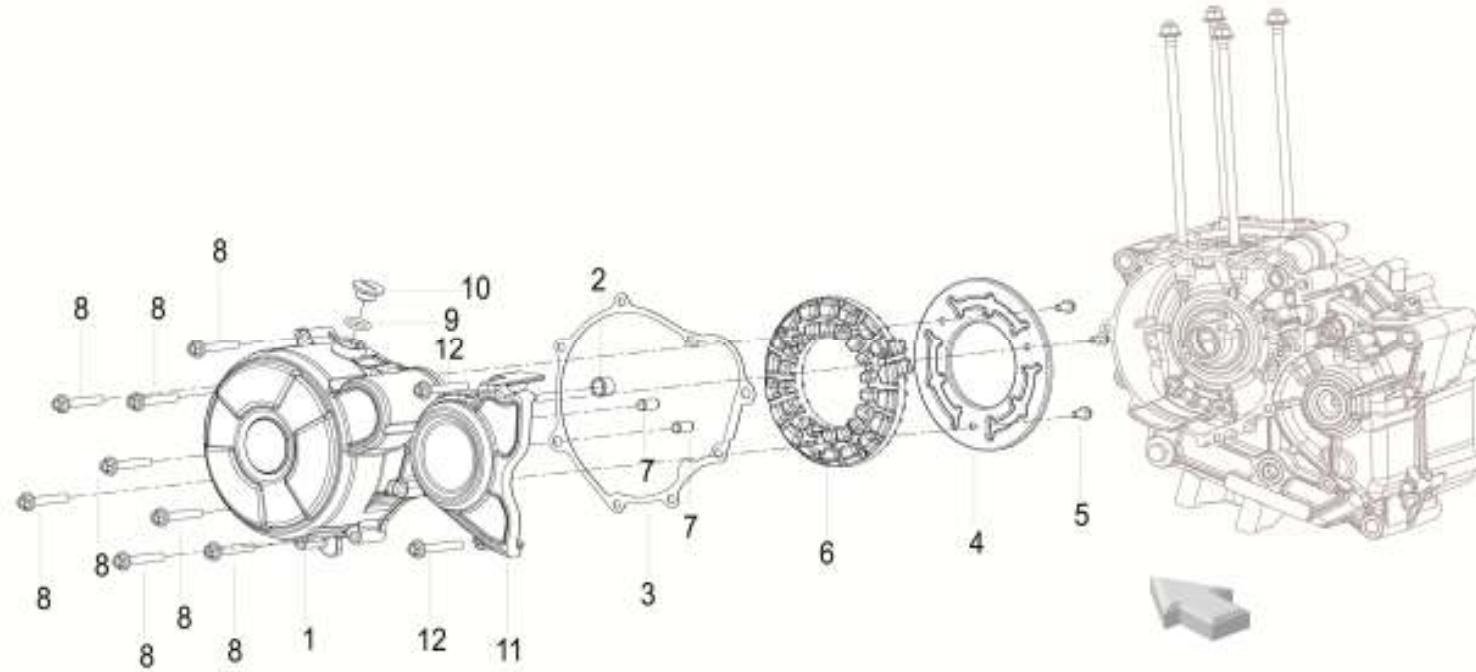
Model	NO.	Position No.	CODE	EN DESCRIPTION	Qty/Unit	Price (RM)
TNT135	1	E02	B01070802064	BOLT M8X20	1	1.40
TNT135	2	E02	120014300000	WASHER	1	0.60
TNT135	3	E02	129034320010	CAMSHAFT SPROCKET	1	14.00
TNT135	4	E02	120024320000	SHAFT HOUSING	1	12.60
TNT135	5	E02	129164320000	ROCKER ARM SHAFT	2	5.10
TNT135	6	E02	129314300000	ROCKER ARM ASSY.	2	49.10
TNT135	7	E02	129094320000	CAMSHAFT ASSY.	1	73.90
TNT135	8	E02	129204300000	VALVE SPRING PLATE	4	2.60
TNT135	9	E02	129225090000	VALVE COTTER	8	1.40
TNT135	10	E02	129254300000	VALVE SPRING	4	3.10
TNT135	11	E02	129214300000	VALVE SPRING SEAT	4	1.40
TNT135	12	E02	129194300000	EXHAUST VALVE	2	15.90
TNT135	13	E02	129184300000	INLET VALVE	2	9.50

E03 CYLINDER HEAD COVER ASSY(缸盖罩分总成)



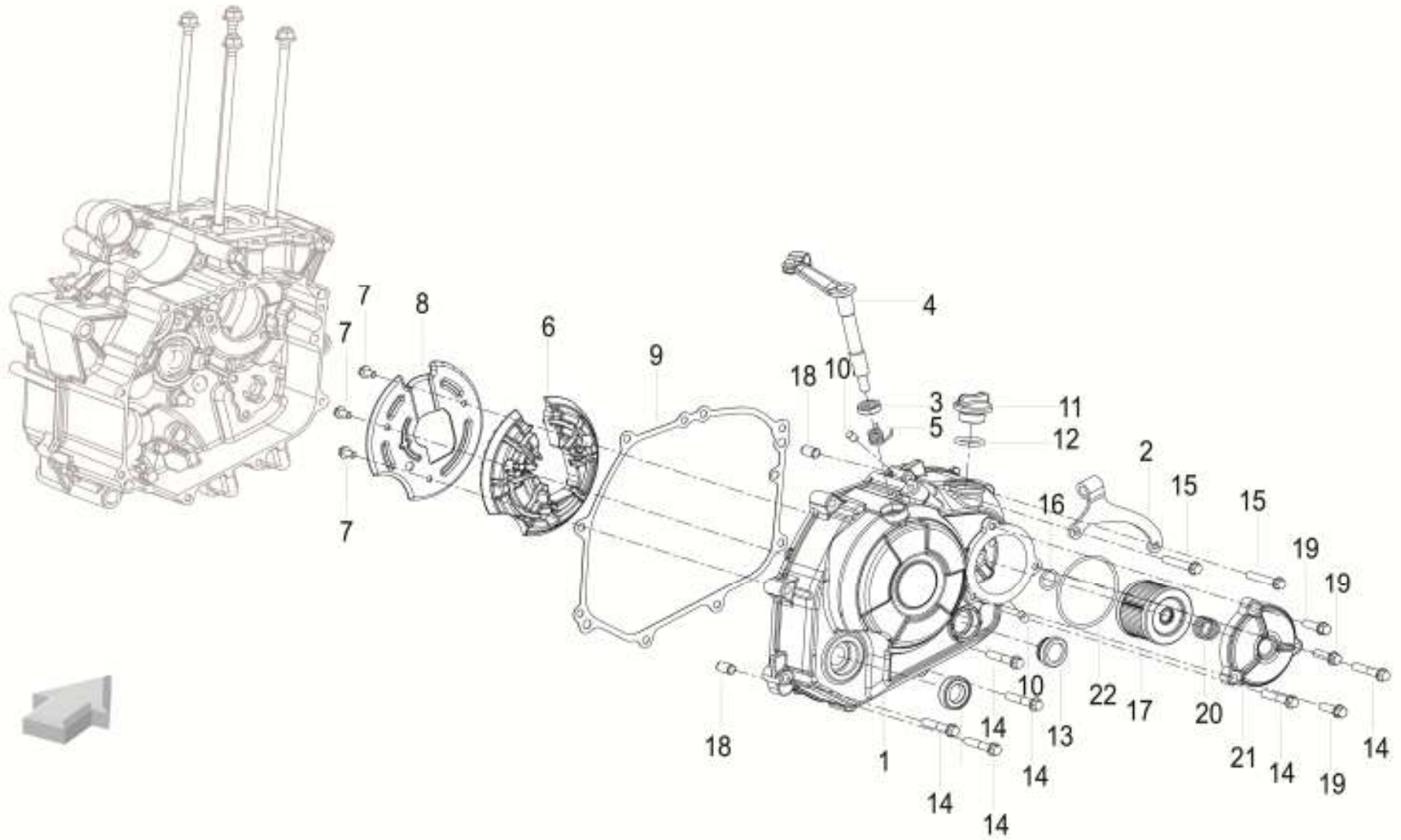
Model	NO.	Position No.	CODE	EN DESCRIPTION	Qty/Unit	Price (RM)
TNT135	1	E03	100154320010	CYLINDER HEAD COVER	1	94.10
TNT135	2	E03	109024320000	GASKET,CYLINDER HEAD COVER	1	9.00
TNT135	3	E03	160083160020	BOLT	4	2.80

E04 LEFT COVER ASSY (左盖分总成)



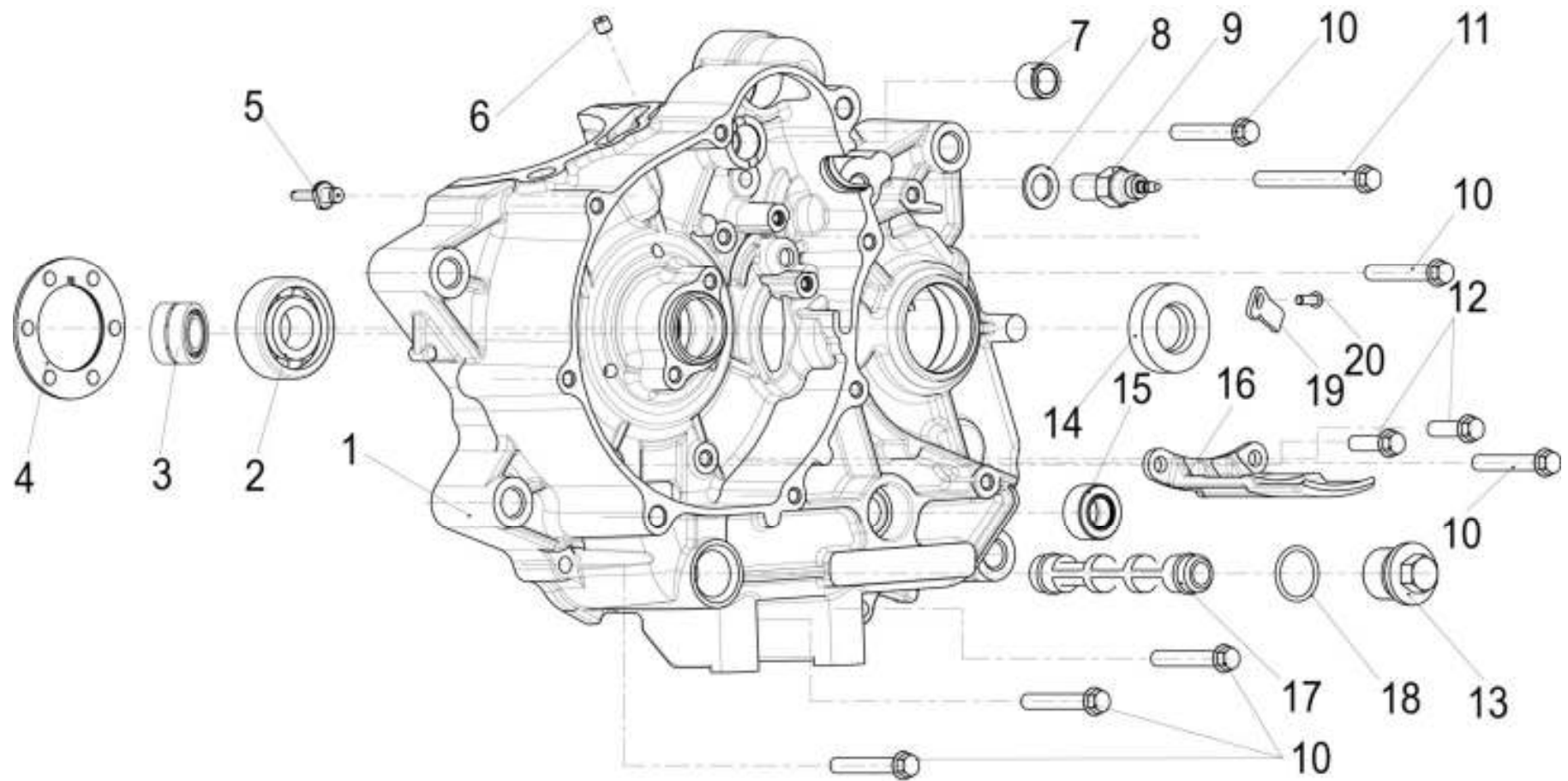
Model	NO.	Position No.	CODE	EN DESCRIPTION	Qty/Unit	Price (RM)
TNT135	1	E04	169024320020	LEFT COVER	1	95.00
TNT135	2	E04	159354320000	BUSHING	1	1.80
TNT135	3	E04	169074320000	GASKET,LEFT COVER,WITHOUT ASBESTOS	1	
TNT135	4	E04	169054320000	PRESSURE PLATE,LEFT COVER	1	1.10
TNT135	5	E04	B01820501063	BOLT M5x10	3	0.30
TNT135	6	E04	169044320010	RUBBER PAD,LEFT COVER	1	26.80
TNT135	7	E04	160073070000	PIN,DOWEL	2	0.40
TNT135	8	E04	B01070603864	BOLT M6x38	8	1.00
TNT135	9	E04	B190101380B0	SEALING RING Φ 13.8x Φ 2.5	1	0.40
TNT135	10	E04	16005307002X	PLUG SCREW	1	5.40
TNT135	11	E04	169184320020	MAGNETO COVER,REAR LEFT	1	12.00
TNT135	12	E04	B01070604064	BOLT M6X40	2	1.10

E05 RIGHT COVER ASSY (右盖分总成)



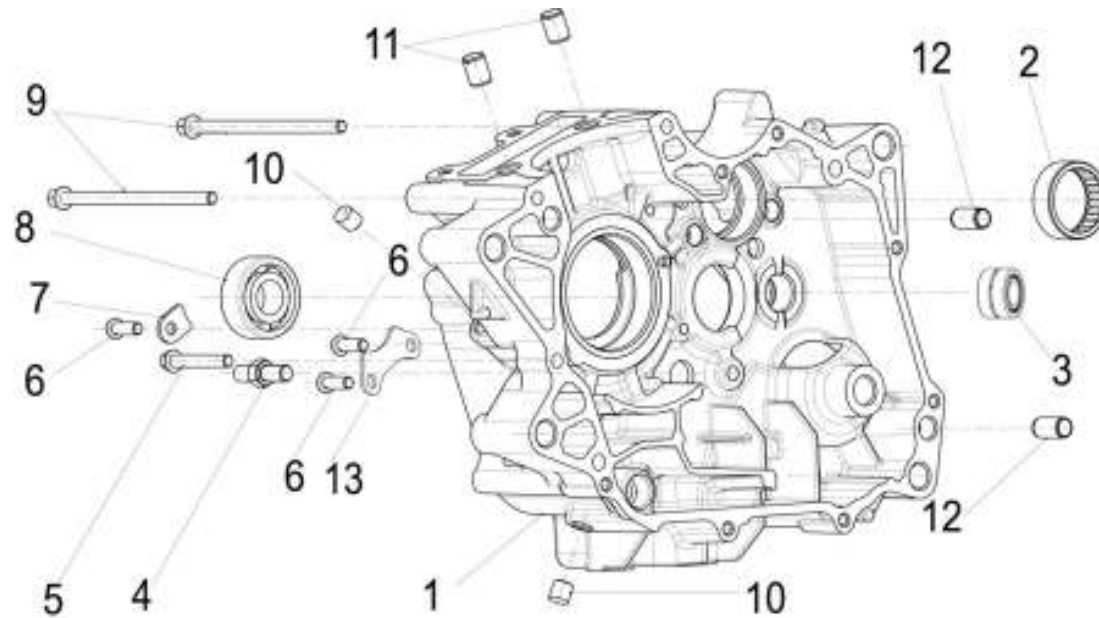
Model	NO.	Position No.	CODE	EN DESCRIPTION	Qty/Unit	Price (RM)
TNT135	1	E05	169104320050	RIGHT COVER	1	265.10
TNT135	2	E05	169144320000	CLUTCH CABLE HOLDER	1	4.80
TNT135	3	E05	200001050000	OIL SEAL	1	3.20
TNT135	4	E05	209043070000	CLUTCH RELEASE LEVER ASSEMBLY	1	14.40
TNT135	5	E05	200034050000	SEPARATING ROD SPRING	1	1.00
TNT135	6	E05	169164320010	BUFFER RUBBER	1	31.30
TNT135	7	E05	B01820501063	BOLT M5X10	3	0.30
TNT135	8	E05	169174320000	PLATE	1	2.00
TNT135	9	E05	169114320000	GASKET,RIGHT COVER,WITHOUT ASBESTOS	1	
TNT135	10	E05	150103070000	PLUG	2	1.10
TNT135	11	E05	160063090000	OIL FILLER PLUG	1	5.40
TNT135	12	E05	160063070000	O RING 18X3.5	1	0.40
TNT135	13	E05	160083090000	OIL SURFACE INDICATOR COMBINATION	1	5.60
TNT135	14	E05	B01070603264	BOLT M6X32	6	0.80
TNT135	15	E05	B01070603564	BOLT M6X35	2	1.20
TNT135	16	E05	160085040000	SEAKUBG RING	1	0.40
TNT135	17	E05	169124320000	OIL FILTER	1	17.30
TNT135	18	E05	160073070000	POSITIONING PIN	2	0.40
TNT135	19	E05	B01070602064	BOLT M6X20	3	1.40
TNT135	20	E05	160033090000	SPRING	1	0.40
TNT135	21	E05	169134320020	MACHINE FILTER COVER	1	27.60
TNT135	22	E05	169154320000	O RING 58X2.5	1	2.00

E06 LEFT CRANKCASE SUB-ASSY(左曲轴箱分总成)



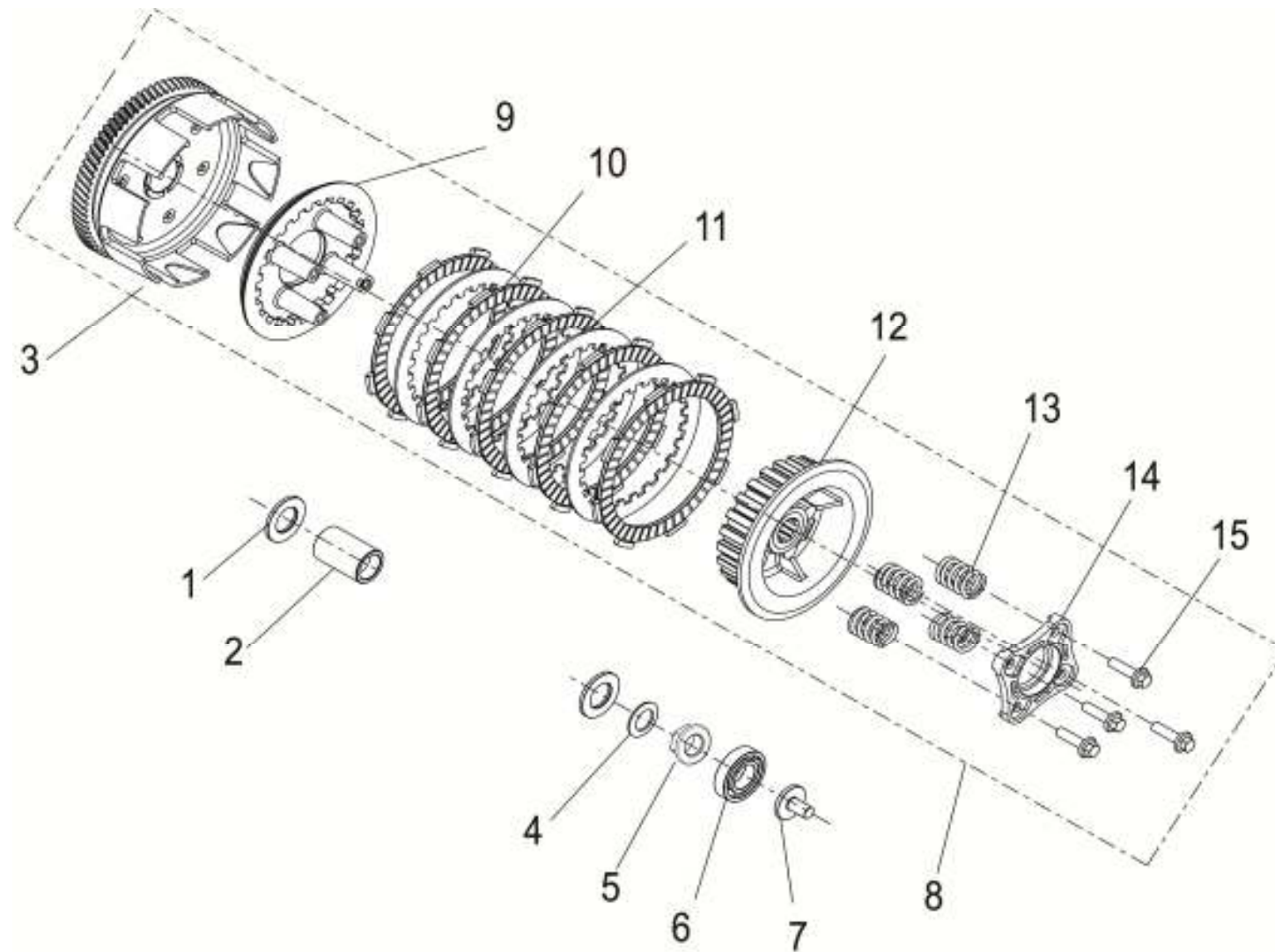
Model	NO.	Position No.	CODE	EN DESCRIPTION	Qty/Unit	Price (RM)
TNT135	1	E06	150024320030	LEFT CRANKCASE ASSY.	1	360.20
TNT135	2	E06	B12016020307	BEARING	1	21.90
TNT135	3	E06	B1210H490104	NEEDLE ROLLER BEARING	1	
TNT135	4	E06	159124320000	ADJUSTING WASHER	1	5.10
TNT135	5	E06	159194320000	NOZZLE	1	7.60
TNT135	6	E06	159174320000	OIL PLUG	1	1.10
TNT135	7	E06	159354320000	BUSHING	1	1.80
TNT135	8	E06	159346190000	WASHER	1	1.50
TNT135	9	E06	159234320000	REVERSE SENSOR	1	23.70
TNT135	10	E06	B01070603564	BOLT M6X35	6	1.20
TNT135	11	E06	B01070605564	BOLT M6X55	1	1.40
TNT135	12	E06	B01070601463	BOLT M6X14	2	0.30
TNT135	13	E06	150143300000	PLUG	1	5.60
TNT135	14	E06	200021070000	OIL SEAL	1	14.50
TNT135	15	E06	210373090000	OIL SEAL	1	4.20
TNT135	16	E06	159214320000	LIMIT PLATE	1	6.20
TNT135	17	E06	150133300000	OIL FILTER	1	14.50
TNT135	18	E06	B190101700A0	O RING	1	1.60
TNT135	19	E06	159204320000	PRESSURE PLATE	1	
TNT135	20	E06	B02000601423	SCREW M6X14	1	0.30

E07 RIGHT CRANKCASE SUB-ASSY(右曲轴箱分总成)



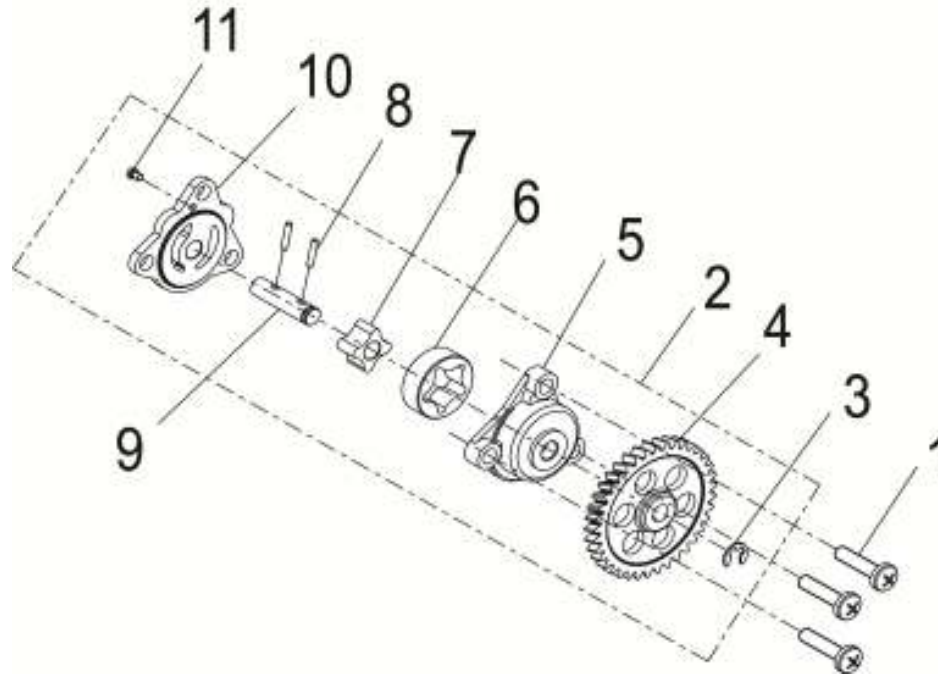
Model	NO.	Position No.	CODE	EN DESCRIPTION	Qty/Unit	Price (RM)
TNT135	1	E07	150034320030	RIGHT CRANKCASE ASSY.	1	326.40
TNT135	2	E07	159244320000	NEEDLE BEARING	1	10.00
TNT135	3	E07	B1210H121201	NEEDLE BEARING	1	30.10
TNT135	4	E07	159154320000	BOLT 1	1	1.50
TNT135	5	E07	B01070603564	BOLT M6X35	1	1.20
TNT135	6	E07	B02000601423	SCREW M6X14	3	0.30
TNT135	7	E07	150033420000	BRAEING PLATE I	1	0.60
TNT135	8	E07	B12016020307	ROLLING BEARING	1	21.90
TNT135	9	E07	B01070609564	BOLT M6X95	2	1.80
TNT135	10	E07	150035140000	STOPPER	2	1.80
TNT135	11	E07	150083070000	PIN DOWEL φ10x14	2	0.40
TNT135	12	E07	130014050000	PIN DOWEL	2	0.70
TNT135	13	E07	159364320000	PLATE	1	2.60

E08 CLUTCH SYSTEM(离合器分总成)



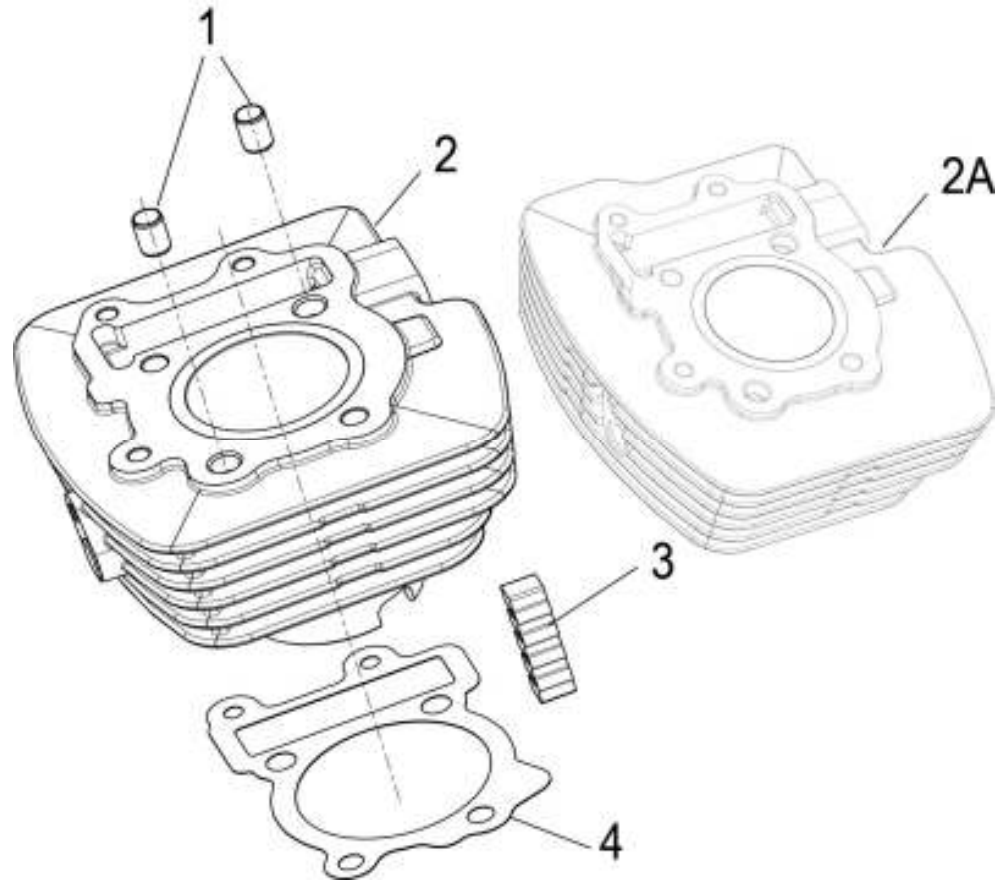
Model	NO.	Position No.	CODE	EN DESCRIPTION	Qty/Unit	Price (RM)
TNT135	1	E08	200064320000	WASHER	2	1.10
TNT135	2	E08	200044320000	BUSH	1	21.50
TNT135	3	E08	209024320000	CLUTCH HOUSING ASSEMBLY	1	97.40
TNT135	4	E08	200152140000	DISH WASHER	1	0.40
TNT135	5	E08	170044320000	HEXAGON NUTS WITH FLANGE M14×1	1	2.00
TNT135	6	E08	B12016600301	ROLLING BEARING	1	16.30
TNT135	7	E08	200183070000	TAPPET	1	4.40
TNT135	8	E08	209014320000	CLUTCH ASSY.	1	252.50
TNT135	9	E08	200043070000	CLUTCH PRESSURE PLATE	1	30.80
TNT135	10	E08	200113070000	FRICTIONAL GASKET ASSY.	5	9.10
TNT135	11	E08	200093070000	FRICTION SHEET	4	8.60
TNT135	12	E08	209104320000	CLUTCH CENTER FRAME ASSEMBLY	1	18.90
TNT135	13	E08	209144320000	CLUTCH SPRING	4	1.80
TNT135	14	E08	200204050000	CLUTCH PLATE LIFTER	1	16.00
TNT135	15	E08	B01070602263	HEXAGON FLANGE BOLT M6X22	4	0.40

E09 LUBRICATE SYSTEM (润滑系统分总成)



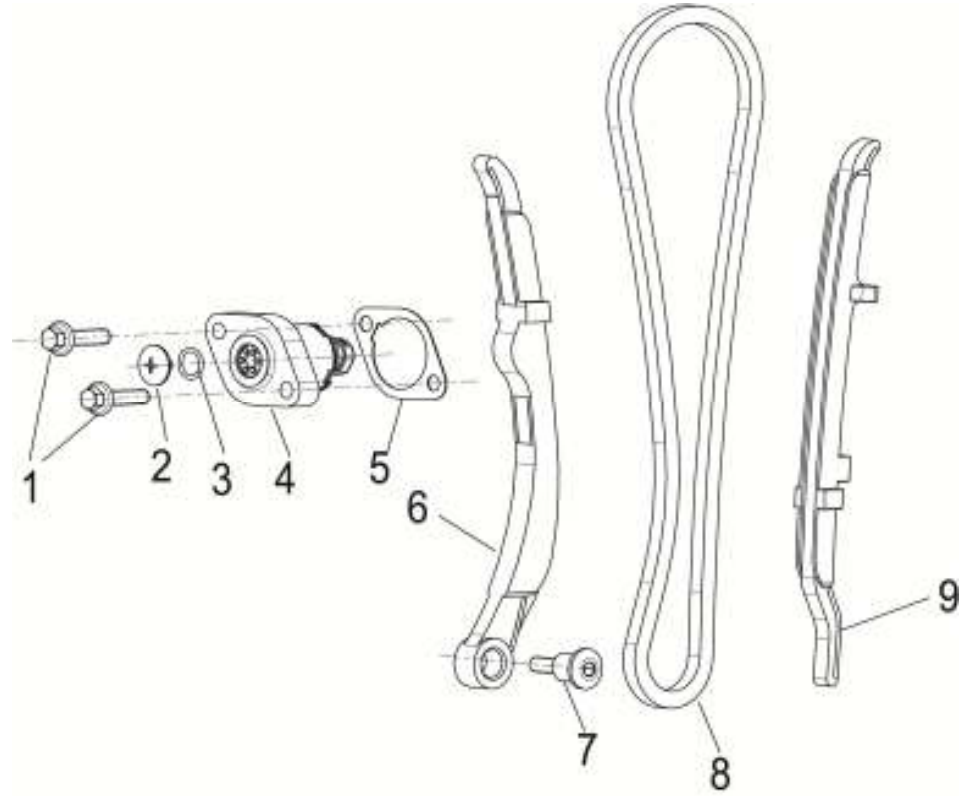
Model	NO.	Position No.	CODE	EN DESCRIPTION	Qty/Unit	Price (RM)
TNT135	1	E09	B02040602563	BOLT M6X25	3	0.30
TNT135	2	E09	269014320000	OIL PUMP ASSY.	1	31.60
TNT135	3	E09	B08030000600	CIRCLIP	1	0.60
TNT135	4	E09	260054320000	OIL PUMP GEAR	1	12.60
TNT135	5	E09	260043090000	OIL PUMP BODY	1	36.10
TNT135	6	E09	260033090000	OIL PUMP EXTERNAL ROTOR	1	19.50
TNT135	7	E09	260023090000	OIL PUMP INNER ROTOR	1	7.50
TNT135	8	E09	B09012501220	PIN	2	0.40
TNT135	9	E09	260063090000	OIL PUMP SHAFT	1	9.40
TNT135	10	E09	260014320000	OIL PUMP SEAT	1	7.60
TNT135	11	E09	B02000300522	SCREW M3X5	1	0.40

E10 CYLINDER BLOCK ASSEMBLY (气缸体总成)



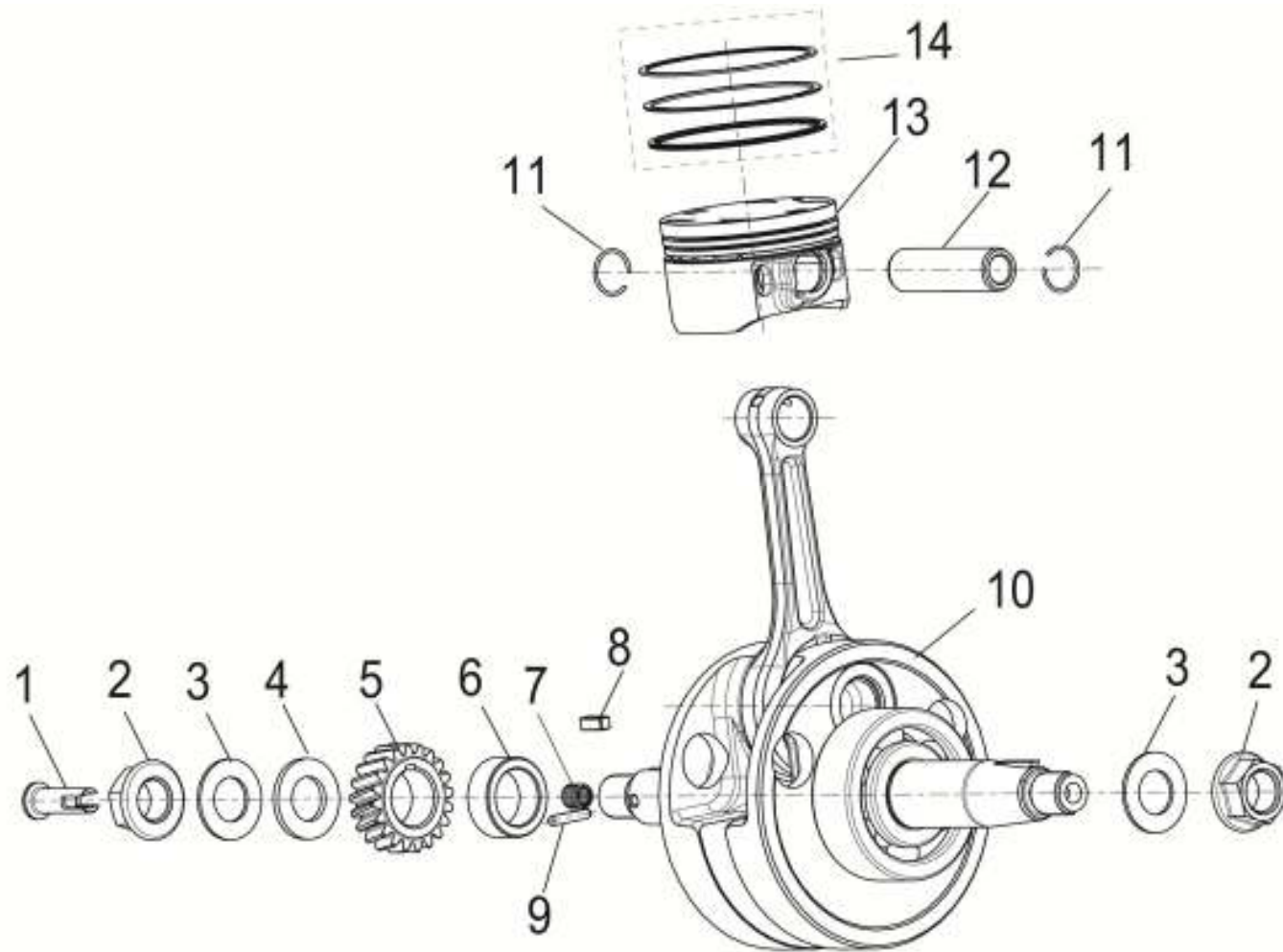
Model	NO.	Position No.	CODE	EN DESCRIPTION	Qty/Unit	Price (RM)
TNT135	1	E10	130023070000	PIN DOWEL ϕ 10x20	2	0.70
TNT135	2A	E10	139014320050	CYLINDER ASSEMBLY	1	180.40
TNT135	3	E10	13001432000A	BUMPER BLOCK	1	
TNT135	4	E10	139024320000	CYLINDER GASKET,WITHOUT ASBESTOS	1	

E11 STRAINER UNIT ASSEMBLY(正时传动机构分总成)



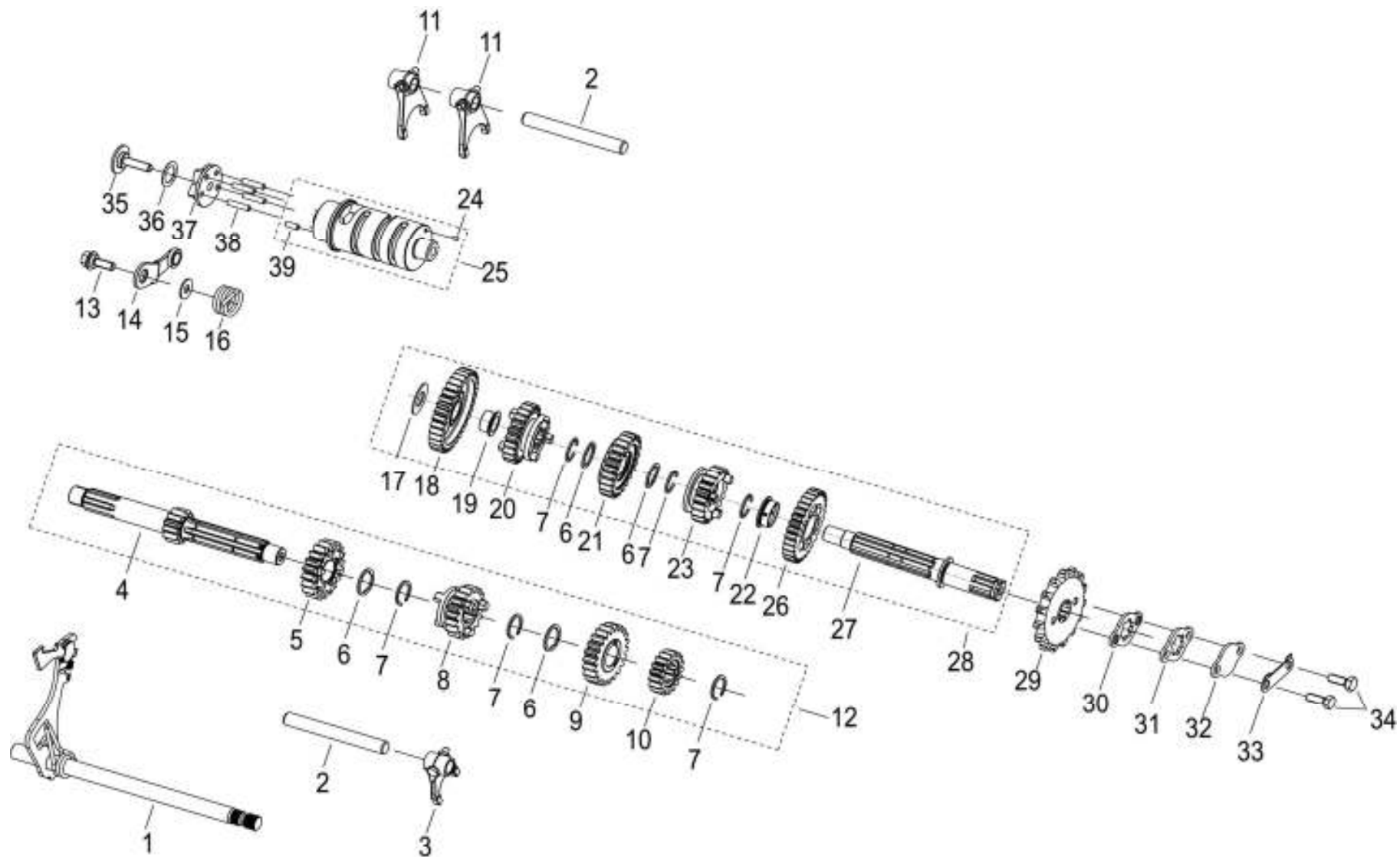
Model	NO.	Position No.	CODE	EN DESCRIPTION	Qty/Unit	Price (RM)
TNT135	1	E11	B01070602264	HEXAGON BOLT M6X22	2	0.70
TNT135	2	E11	14005305001X	TENSIONER BOLT	1	1.10
TNT135	3	E11	210043050000	O RING	1	1.40
TNT135	4	E11	149033140010	CAM CHAIN TENSIONER	1	32.50
TNT135	5	E11	140013050040	TENSIONER GASKET	1	0.80
TNT135	6	E11	149014320010	REAR CHAIN GUIDE ASSY.	1	15.10
TNT135	7	E11	140064320000	SCREW	1	2.00
TNT135	8	E11	140023140010	CHAIN	1	47.40
TNT135	9	E11	149024320010	GUIDE	1	13.10

E12 CRANK AND CONNECTING ROD PISTON SUB-ASSEMBL



Model	NO.	Position No.	CODE	EN DESCRIPTION	Qty/Unit	Price (RM)
TNT135	1	E12	170054320000	INTO THE NOZZLE	1	1.50
TNT135	2	E12	170044320000	HEXAGON NUTS WITH FLANGE M14×1	2	2.00
TNT135	3	E12	170024320000	CONICAL WASHER	2	1.10
TNT135	4	E12	170034320000	PLAIN WASHER	1	0.30
TNT135	5	E12	170074320000	CLUTCH DRIVEN GEAR	1	12.60
TNT135	6	E12	170014320000	BUSH	1	2.60
TNT135	7	E12	170064320000	SPRING	1	0.60
TNT135	8	E12	B11130404009	FLAT KEY	1	0.70
TNT135	9	E12	B090103016B0	PIN	1	0.30
TNT135	10	E12	179014320010	CRANKSHAFT CONNECTING ROD ASSEMBLY	1	263.10
TNT135	11	E12	179153090000	PIN,PISTON CIRCLIP	2	0.30
TNT135	12	E12	179143090002	PIN,PISTON	1	7.90
TNT135	13	E12	179134320000	PISTON	1	29.00
TNT135	14	E12	170084320000	PISTON RING COMPONENT	1	37.70

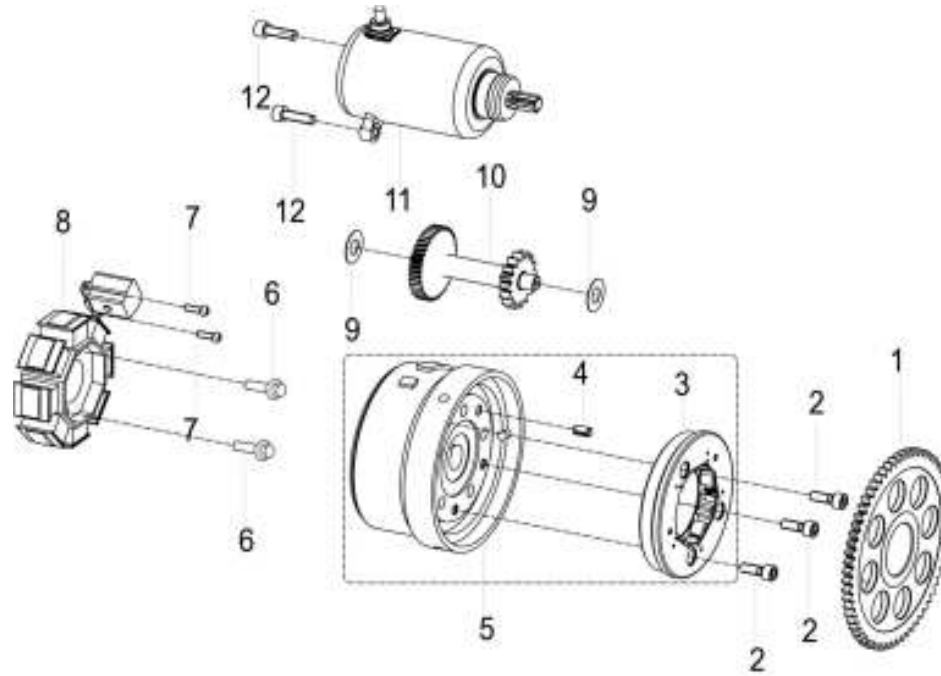
E13 GEAR SHIFTER AND FOOT STARTER ASSY (变速换挡脚起)



Model	NO.	Position No.	CODE	EN DESCRIPTION	Qty/Unit	Price (RM)
TNT135	1	E13	219374320000	SHAFT ASSY,GEAR SHIFT	1	34.10
TNT135	2	E13	219344320000	SHAFT,SHIFT FORK	2	4.20
TNT135	3	E13	219364320000	SHIFT FORK,MAIN SHAFT	1	10.00
TNT135	4	E13	219024320000	MAIN SHAFT	1	20.10
TNT135	5	E13	219034320000	GEAR,4TH MAIN SHAFT	1	17.30
TNT135	6	E13	210072150000	SPLINE WASHER	4	0.70
TNT135	7	E13	210042150000	CIRCLIP 17	6	1.00
TNT135	8	E13	219044320000	GEAR,3RD MAIN SHAFT	1	19.60
TNT135	9	E13	219054320000	GEAR,5TH MAIN SHAFT	1	18.70
TNT135	10	E13	219064320000	GEAR,2ND MAIN SHAFT	1	14.80
TNT135	11	E13	219354320000	SHIFT FORK,COUNTER SHAFT	2	10.00
TNT135	12	E13	219014320000	MAIN SHAFT ASSY	1	86.20
TNT135	13	E13	210395150000	BOLT	1	1.60
TNT135	14	E13	219214320000	ROCKER ARM,ROLLER ASSY	1	5.10
TNT135	15	E13	219494320000	WASHER 6.3×16×1	1	0.40
TNT135	16	E13	219454320000	SPRING,ROCKER ARM	1	1.50
TNT135	17	E13	219524320000	WASHER,COUNTER SHAFT	1	0.30
TNT135	18	E13	219154320000	GEAR,1ST COUNTER SHAFT	1	23.50
TNT135	19	E13	219144320000	BUSH II	1	2.60
TNT135	20	E13	219134320000	GEAR,4TH COUNTER SHAFT	1	15.90
TNT135	21	E13	219124320000	GEAR,3RD COUNTER SHAFT	1	20.40
TNT135	22	E13	219104320000	BUSH I	1	2.60
TNT135	23	E13	219114320000	GEAR,5TH COUNTER SHAFT	1	18.90
TNT135	24	E13	219504320000	CONTACT TERMINAL,GEAR SHIFT	1	7.60
TNT135	25	E13	219514320000	DRUM ASSY,GEAR SHIFT	1	23.70
TNT135	26	E13	219094320000	GEAR,2ND COUNTER SHAFT	1	14.30
TNT135	27	E13	219084320010	COUNTER SHAFT	1	20.70
TNT135	28	E13	219074320010	COUNTER SHAFT ASSY	1	108.30
TNT135	29	E13	219474320000	ROLLER CHAIN WHEEL	1	12.60

Model	NO.	Position No.	CODE	EN DESCRIPTION	Qty/Unit	Price (RM)
TNT135	30	E13	21012214001X	ANCHOR PLATE,CHAIN WHEEL	1	0.40
TNT135	31	E13	210282140000	COVER PLATE,CHAIN WHEEL	1	1.00
TNT135	32	E13	210292140000	COVER PLATE,COUNTER SHAFT	1	1.00
TNT135	33	E13	210302140000	LOCKING WASHER	1	0.40
TNT135	34	E13	B01030601663	HEXAGON HEADED BOLT M6×16	2	0.30
TNT135	35	E13	219194320000	WHEEL BOLT	1	1.40
TNT135	36	E13	219184320000	WASHER	1	0.80
TNT135	37	E13	219174320000	STAR WHEEL,GEAR SHIFT	1	7.60
TNT135	38	E13	219324320000	PIN I ,GEAR SHIFT	4	0.30
TNT135	39	E13	219334320000	PIN II ,GEAR SHIFT	1	0.30

E14 ELECTRIC STARTER ASSY(电启动分总成)



Model	NO.	Position No.	CODE	EN DESCRIPTION	Qty/Unit	Price (RM)
TNT135	1	E14	249064320000	STARTING GEAR	1	55.20
TNT135	2	E14	B02050601663	SOKET HEAD CAP SCREW M6×16	3	1.10
TNT135	3	E14	249104320000	STARTER CLUTCH ASSY	1	132.50
TNT135	4	E14	B090306010A1	PIN 6×10	1	0.30
TNT135	5	E14	290014320010	FLYWHEEL ASSY.	1	144.40
TNT135	6	E14	B01070602563	BOLT M6×25	2	1.10
TNT135	7	E14	B01070501289	BOLT M5×12	2	0.40
TNT135	8	E14	299034320070	STATOR ASSY	1	102.20
TNT135	9	E14	229072260000	WASHER	2	0.30
TNT135	10	E14	249114320000	IDLE GEAR ASSY.	1	17.60
TNT135	11	E14	249014320010	STARTING MOTOR ASSY.	1	219.90
TNT135	12	E14	B02050602064	M6×20	2	0.80