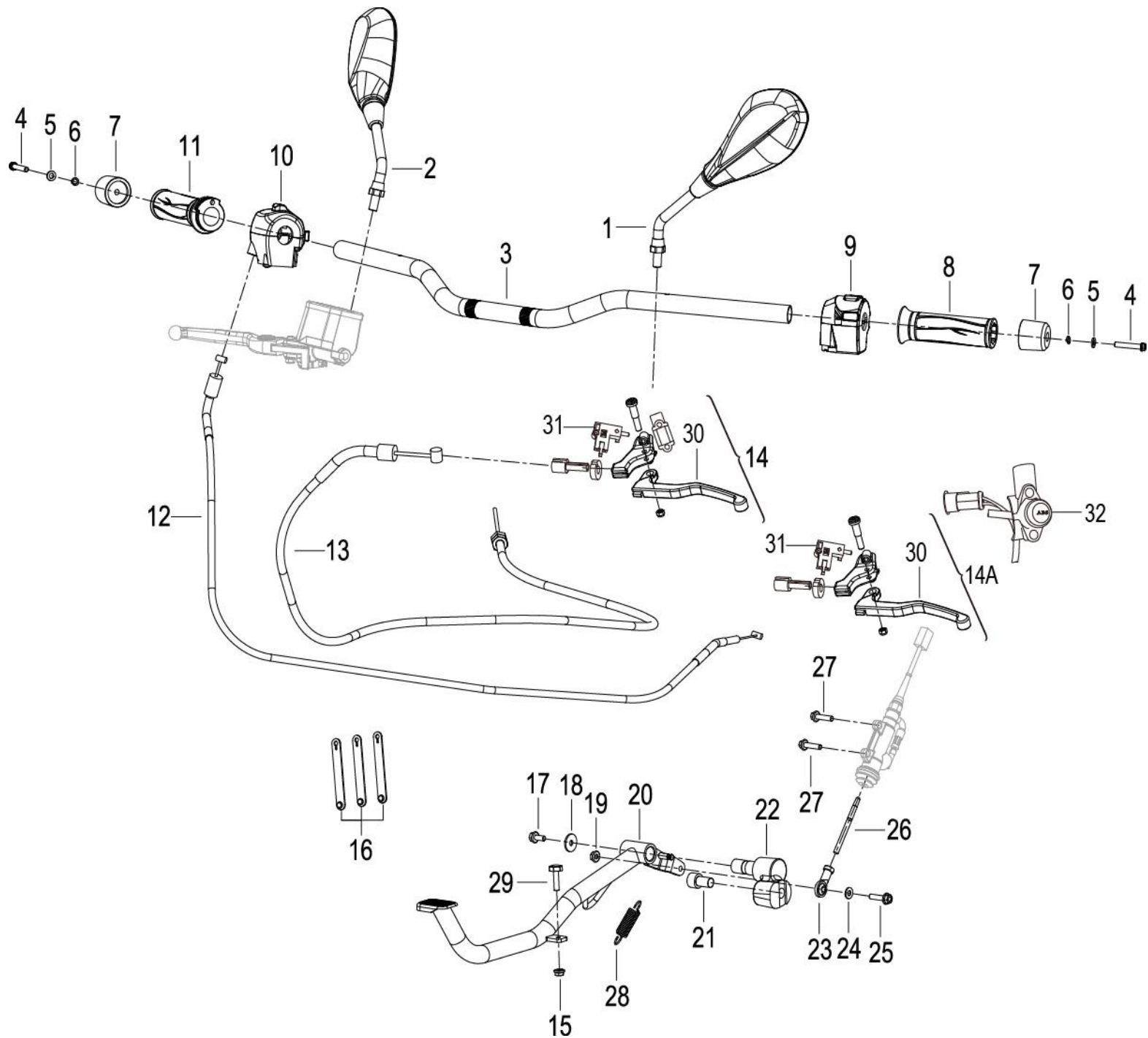


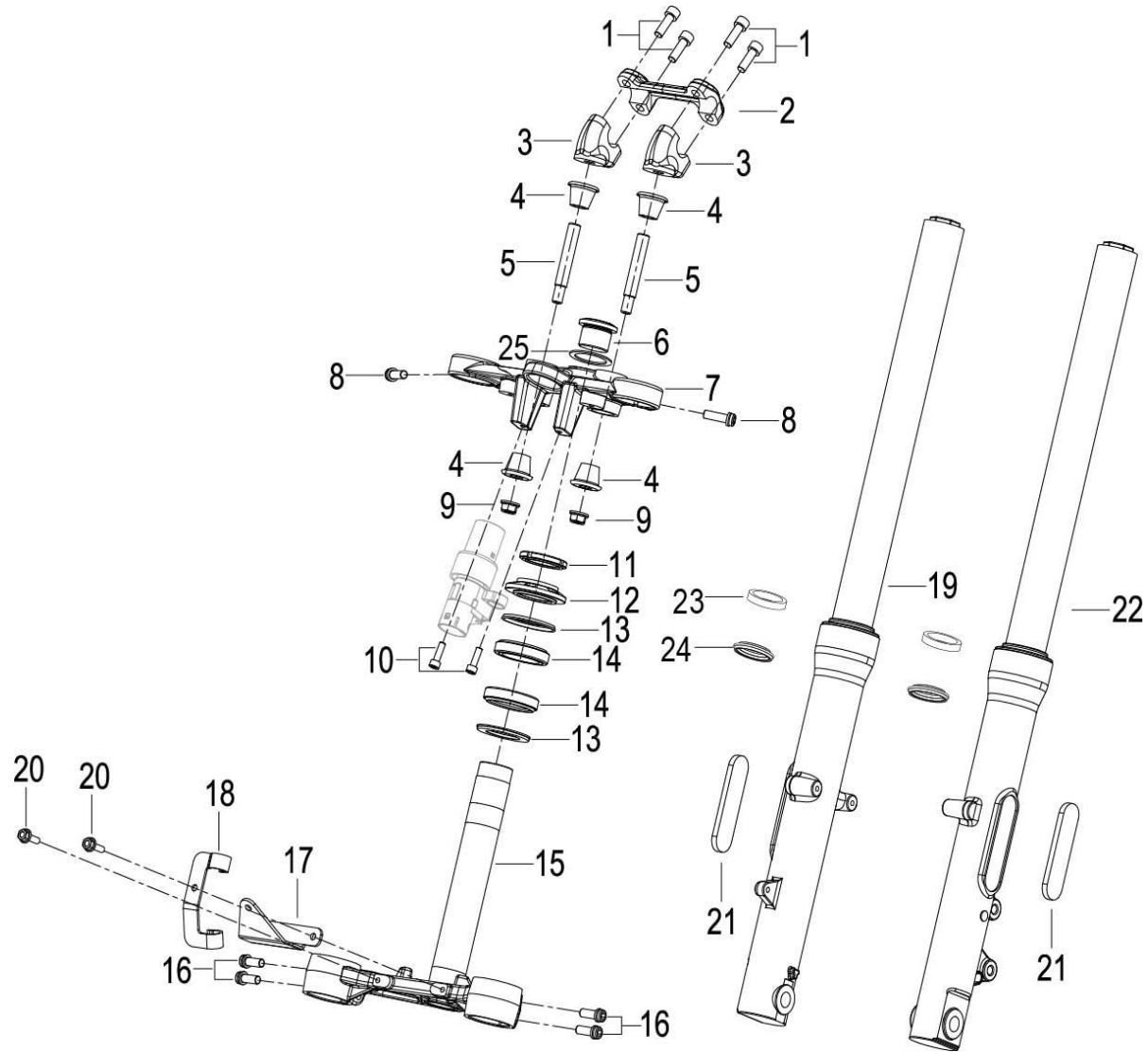
F01 操纵 CONTROL ASSY.



NO.	Position No.	CODE	CN DESCRIPTION	EN DESCRIPTION	Qty	NOTES
1	F01	40450P090000	左倒车镜组件	LR VIEW MIRROR ASSY	1	
2	F01	40480P090000	右倒车镜组件	RR VIEW MIRROR ASSY	1	
3	F01	40100P090000	方向把组件	HANDLE BAR ASSY	1	
4	F01	B0281060356H	螺钉M6×35	SCREW M6×35	2	
5	F01	B0703000060H	垫圈6	WASHER Φ6	2	
6	F01	B0700000060H	弹簧垫圈6	SPRING WASHER 6	2	
7	F01	40031J000022	把手挡位块	GRIP END	2	
8	F01	40001P180010	左方向把套	LEFT HANDLEBAR GRIP	1	
9	F01	40500M140006	左组合开关	LEFT HANDLEBAR SWITCH	1	
10	F01	40600M140005	右组合开关	RIGHT HANDLEBAR SWITCH	1	
11	F01	40210N290000	右握把组件	RIGHT HANDLEBAR GRIP	1	
12	F01	40300P090001	油门线组件	THROTTLE CABLE ASSY	1	
13	F01	40400P090001	离合器线组件	CLUTCH CABLE ASSY	1	
14A	F01	40080P25000Z	离合器手柄组件	CLUTCH LEVER ASSY	1	
15	F01	B0407060005H	六角法兰面螺母M6	NUT M6	1	
16	F01	40023P250000	方向把软线夹	HANDLEBAR RUBBER CLIP	3	
17	F01	B0109060126H	六角头法兰面螺栓M6×12	BOLT M6×12	1	
18	F01	B0709000060H	垫圈Φ6	WASHER 6	1	
19	F01	B04170600044	自锁螺母M6	NUT M6	1	
20	F01	40710P090101	刹车踏杆焊接组件	REAR BRAKE PEDAL	1	
21	F01	B0255120506H	内六角圆柱头螺钉M12×1.25×50	SCREW M12×1.25×50	1	
22	F01	40720P090001	刹车安装座	REAR BRAKE PEDAL MOUNTING BASE	1	
23	F01	40283S010000	节头M6	SECTION HEADER M6	1	
24	F01	B0702000060H	垫圈φ6	WASHER 6	1	
25	F01	B0109060256H	螺栓M6×25	BOLT M6×25	1	
26	F01	55061L290000	后脚泵柱塞螺杆	BRAKE PUSH ROD	1	
27	F01	B0107060256H	六角头法兰面螺栓M6×25	BOLT M6X25	2	

NO.	Position No.	CODE	CN DESCRIPTION	EN DESCRIPTION	Qty	NOTES
28	F01	40702P090000	刹车踏板复位弹簧	REAR BRAKE RETURN SPRING	1	
29	F01	40780J860100	刹车踏板限位螺栓组件	BRAKE PEDAL LIMITING BOLT ASSEMBLY	1	
30	F01	40084P250001	离合器手柄(配L型离合器开关)	CLUTCH LEVER	1	
31	F01	91090P250000	离合开关组件(L型)	CLUTCH SWITCH	1	
32	F01	91190P25001Z	ABS开关总成	ABS SWITCH ASSY.	1	

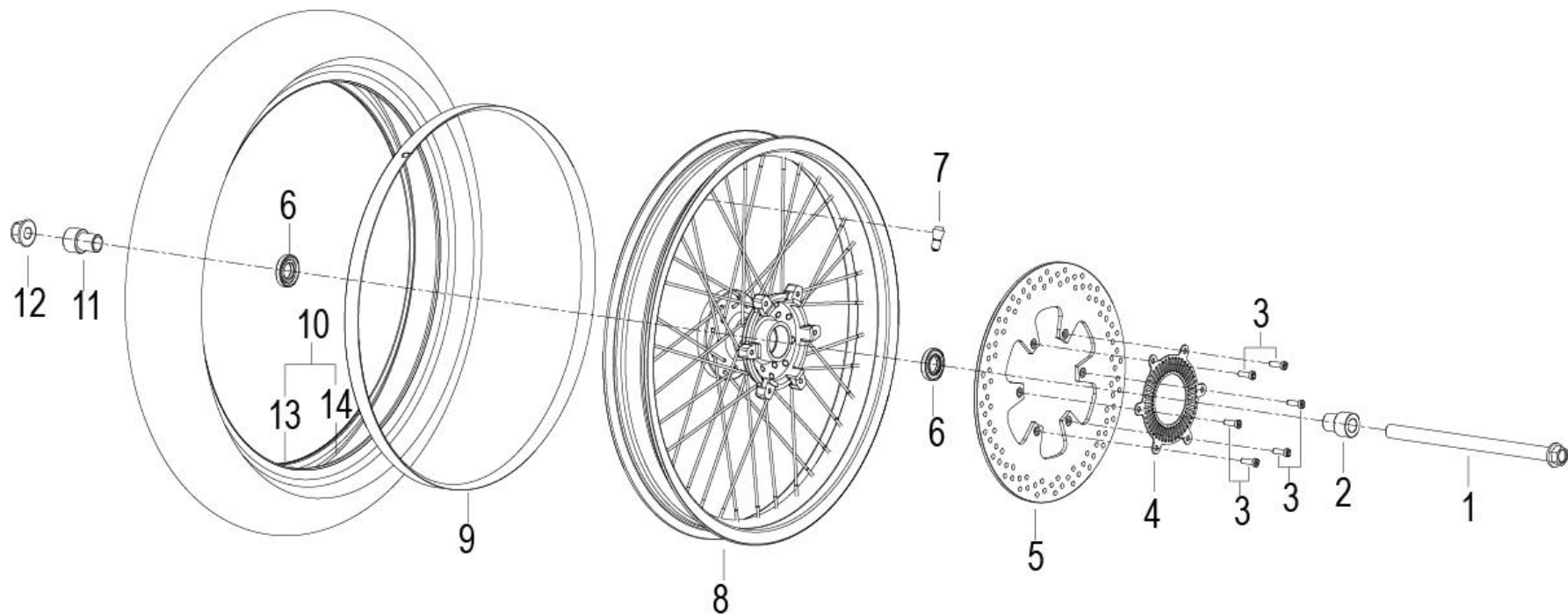
F02 前叉 FRONT FORK ASSY.



NO.	Position No.	CODE	CN DESCRIPTION	EN DESCRIPTION	Qty	NOTES
1	F02	B0205080256K	内六角圆柱头螺钉M8×25	SCREW M8×25	4	
2	F02	43014P090000	方向把上座	UPPER HANDLEBAR HOLDER	1	
3	F02	43013P090000	方向把下座	LOWER HANDLEBAR HOLDER	2	
4	F02	47015P010010	消音塞	SILENCING PLUG	4	
5	F02	40086P010002	把手定位双头螺柱	HANDLE POSITIONING STUD,M10	2	

NO.	Position No.	CODE	CN DESCRIPTION	EN DESCRIPTION	Qty	NOTES
6	F02	43049P250000	上联板紧固螺钉	SCREW	1	
7	F02	43011P090000	上联板	UPPER BRACKET	1	
8	F02	B0281080256H	螺栓M8x25	BOLT M8x25	2	
9	F02	B04821012552	自锁螺母M10x1.25	NUT M10x1.25	2	
10	F02	B0207060202H	内六角花形盘头螺钉M6x20	SCREW M6x20	2	
11	F02	43008S010010	上联板紧固螺母	NUT	1	
12	F02	43009P260000	螺母	NUT	1	
13	F02	43005S010000	防尘圈	RING ANTI-DUST	2	
14	F02	43130S010000	转向轴承	BEARING	2	
15	F02	43100P090000	下联板组件	LOWER BRACKET	1	
16	F02	B0281080256H	螺栓M8x25	BOLT M8x25	4	
17	F02	08332P090000	大灯下安装板	HEADLIGHT LOWER BRACKET	1	
18	F02	43035P090000	液刹管线夹	BRAKE HOSE HOLDER	1	
19	F02	43300P090000	前右减震器组件	FRONT RIGHT SHOCK ABSORBER ASSY	1	
20	F02	B01090602065	六角头法兰面螺栓M6x20	BOLT M6x20	2	
21	F02	86300P090000	前侧反射体	FRONT SIDE REFLECTOR	2	
22	F02	43200P090000	前左减震器组件	FRONT LEFT SHOCK ABSORBER ASSY	1	
23	F02	43260P090000	油封组件	OIL SEAL,FRONT SHOCK ABSORBER	2	
24	F02	43290P090000	防尘圈组件	DUST SEAL,FRONT SHOCK ABSORBER	2	
25	F02	129216360000	气门弹簧下座	VALVE SPRING SEAT	1	

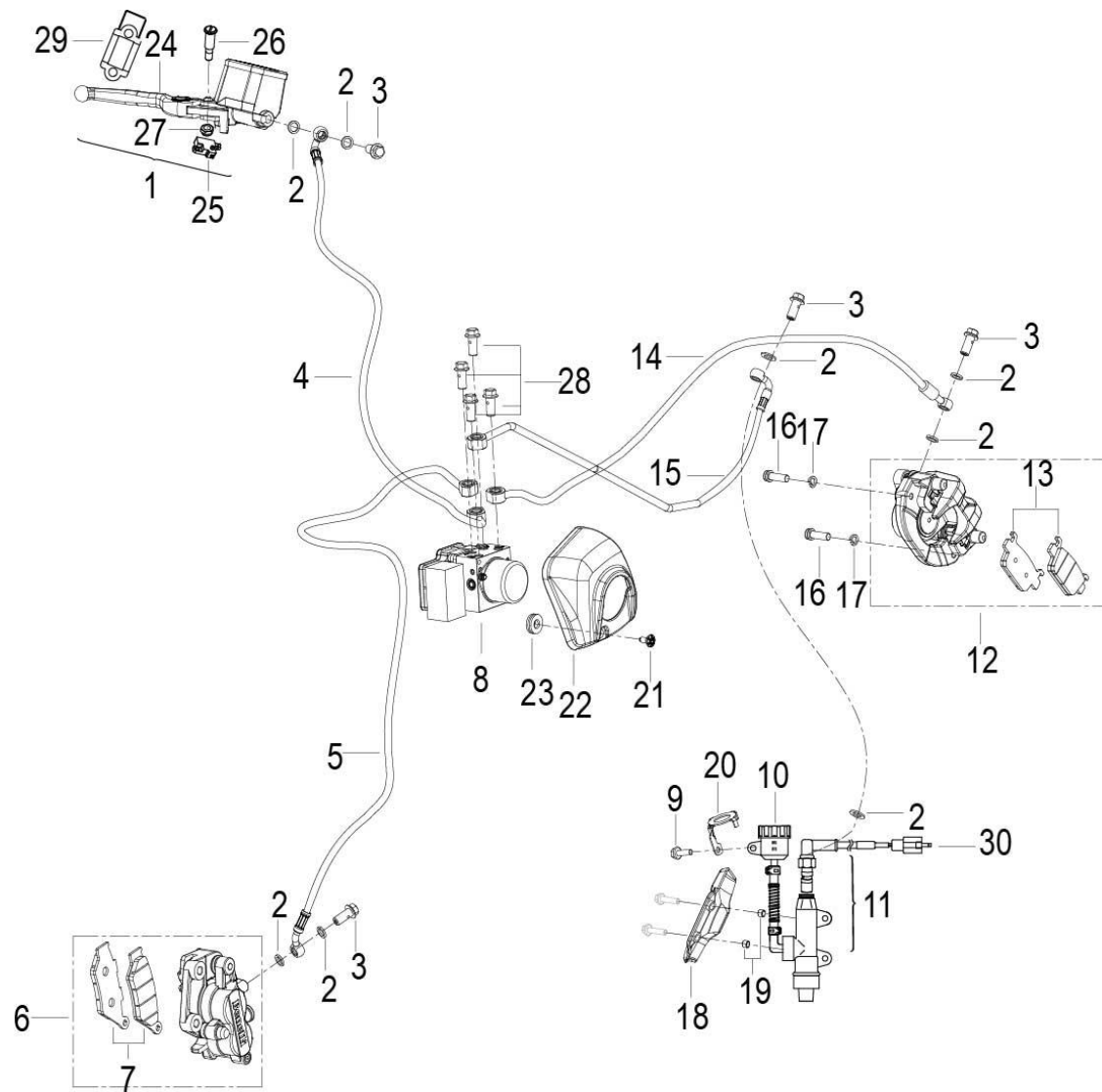
F03 前轮 FRONT WHEEL ASSY.



NO.	Position No.	CODE	CN DESCRIPTION	EN DESCRIPTION	Qty	NOTES
1	F03	44004P090000	前轮轴	FRONT WHEEL AXLE M16×1.5×272	1	
2	F03	44005P090001	前轮左衬套Φ17×Φ30×32.7	FRONT WHEEL LEFT COLLAR Φ17×Φ30×32.7	1	start Vin ZBNP09003KBA96696
3	F03	B0282060208H	螺钉M6×20	SCREW M6×20	6	
4	F03	45702P090001	前轮齿圈	GEAR RING,FRONT WHEEL	1	start Vin ZBNP09003LBB39774
5	F03	45033P090000	前制动盘	FRONT BRAKE DISC	1	
6	F03	44017W200000	防尘圈	DUST SEAL 22X40X7	2	
7	F03	B1403Z201100	气门嘴	AIR VALVE/RIM VALVE	1	
8	F03	44100P090000	前轮圈组件	FRONT RIM ASSY	1	
9	F03	44013D010002	内胎垫带	INNER TUBE STRIP	1	
10	F03	B141105F190Z	内外胎	TUBE&TIRE 100/90-19	1	
11	F03	44016P090001	前轮右衬套	FRONT WHEEL RIGHT COLLAR	1	

NO.	Position No.	CODE	CN DESCRIPTION	EN DESCRIPTION	Qty	NOTES
12	F03	B0417161504H	自锁螺母M16×1.5	U NUT M16×1.5	1	
13	F03	B141105F1900	外胎100/90-19	TIRE 100/90-19	1	
14	F03	B140205F1900	内胎100/90-19	TUBE 100/90-19	1	

F04 前液刹 FRONT DISK BRAKE ASSY.

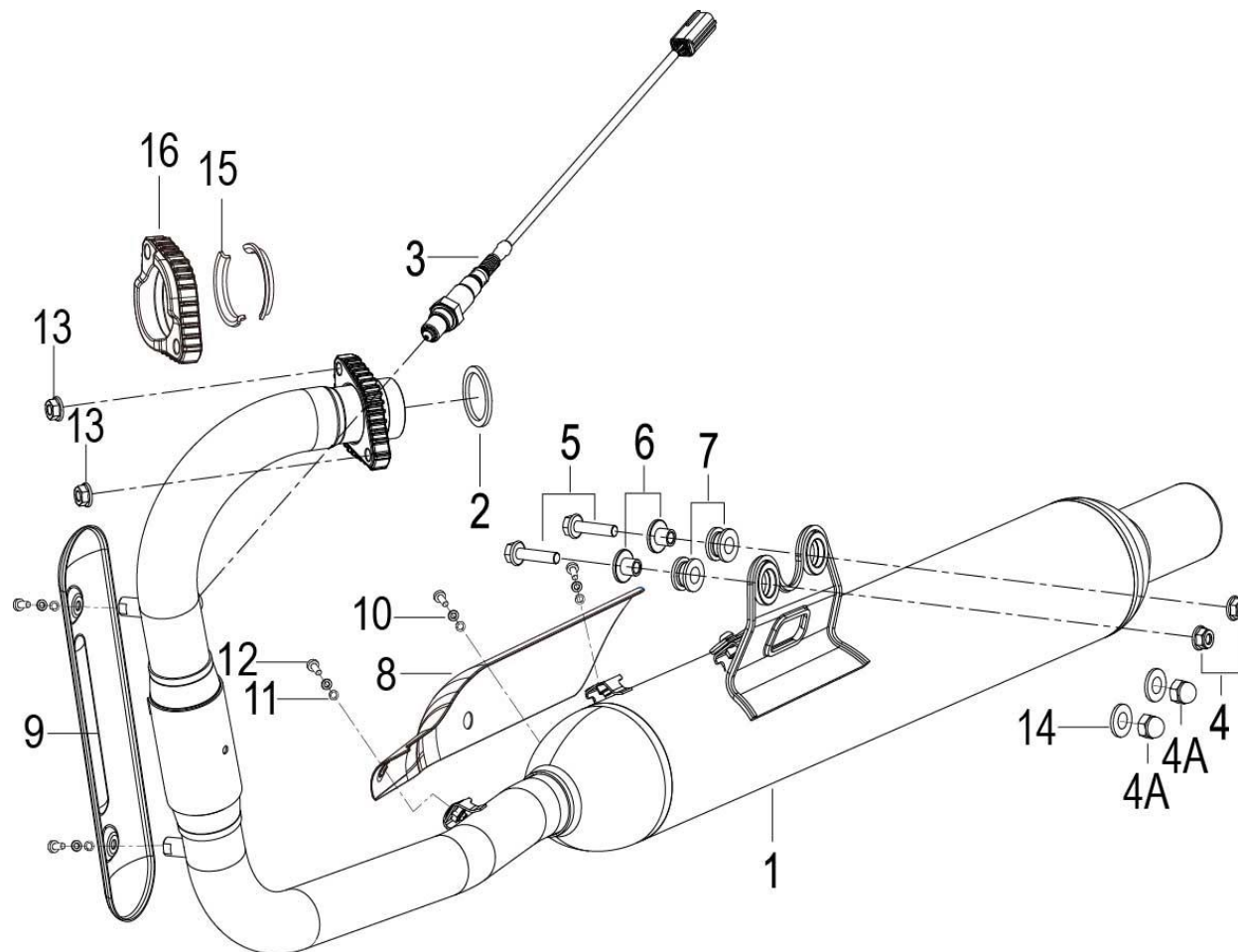


NO.	Position No.	CODE	CN DESCRIPTION	EN DESCRIPTION	Qty	NOTES
1	F04	45400N220011	前油泵体组件	FRONT MASTER CYLINDER	1	
2	F04	45078P300000	垫圈	WASHER	8	
3	F04	45037J000100	联结螺栓	BRAKE HOSE BANJO BOLT	4	
4	F04	45240P090000	前液刹油管总成I	FRONT BRAKE HOSE ASSY.I	1	



NO.	Position No.	CODE	CN DESCRIPTION	EN DESCRIPTION	Qty	NOTES
5	F04	45270P090000	前液刹油管总成II	FRONT BRAKE HOSE ASSY.II	1	
6	F04	45500P090000	前左制动缸组件	FRONT LEFT BRAKE CALIPER	1	
7	F04	45110P180001	制动蹄块组件	FRONT BRAKE PADS	1	2pcs/set
8	F04	45700P090000	双通道ABS总成	ABS	1	
9	F04	B01090602065	六角头法兰面螺栓M6×20	BOLT M6×20	1	
10	F04	55140P100000	油杯组件	REAR BRAKE CUP	1	
11	F04	55400P090001	后油泵体组件	REAR MASTER CYLINDER	1	
12	F04	55500P090010	后制动缸组件	REAR BRAKE CALIPER	1	
13	F04	55110P100001	后摩擦片组件	REAR BRAKE PADS	1set	
14	F04	55240P090000	后液刹油管总成I	REAR BRAKE HOSE ASSY.I	1	
15	F04	55270P090000	后液刹油管总成II	REAR BRAKE HOSE ASSY.II	1	
16	F04	B0281080256H	螺栓M8×25	BOLT M8×1.25×25	2	
17	F04	B0700000080H	弹簧垫圈8	SPRING WASHER 8	2	
18	F04	55041D010000	后液刹装饰板	DECORATE BOARD	1	
19	F04	55042D010100	隔套II	SPACER II	2	
20	F04	57041V030001	油杯防拆盖	OIL CUP COVER	1	
21	F04	B0284060150A	螺钉M6×15.2	SCREW M6×15.2	1	
22	F04	65639P090000	ABS装饰罩	ABS DECORATIVE COVER	1	
23	F04	65618J000000	护板橡胶垫丙	RUBBER PAD PROPYLENE RUBBER PAD	1	
24	F04	45020P300000	液刹手柄组件	FRONT BRAKE LEVER	1	
25	F04	45300J000010	前刹制动开关	FRONT BRAKE SWITCH	1	
26	F04	45024P300000	手柄螺丝	BRAKE LEVER PIVOT SCREW	1	
27	F04	B0417060004H	自锁螺母M6	NUT M6	1	
28	F04	55037P250000	ABS油管螺栓M10×1.0×30	ABS HOSE BANJO BOLT	4	
28	F04	55037P250100	ABS油管螺栓M10×1.0×30	ABS HOSE BANJO BOLT	4	
29	F04	45023P250010	手柄固定盖（带倒车镜孔）	FRONT BRAKE MASTER CYLINDER HOLDER	1	
30	F04	55300P090001	后刹车指示	REAR BRAKE SWITCH	1	

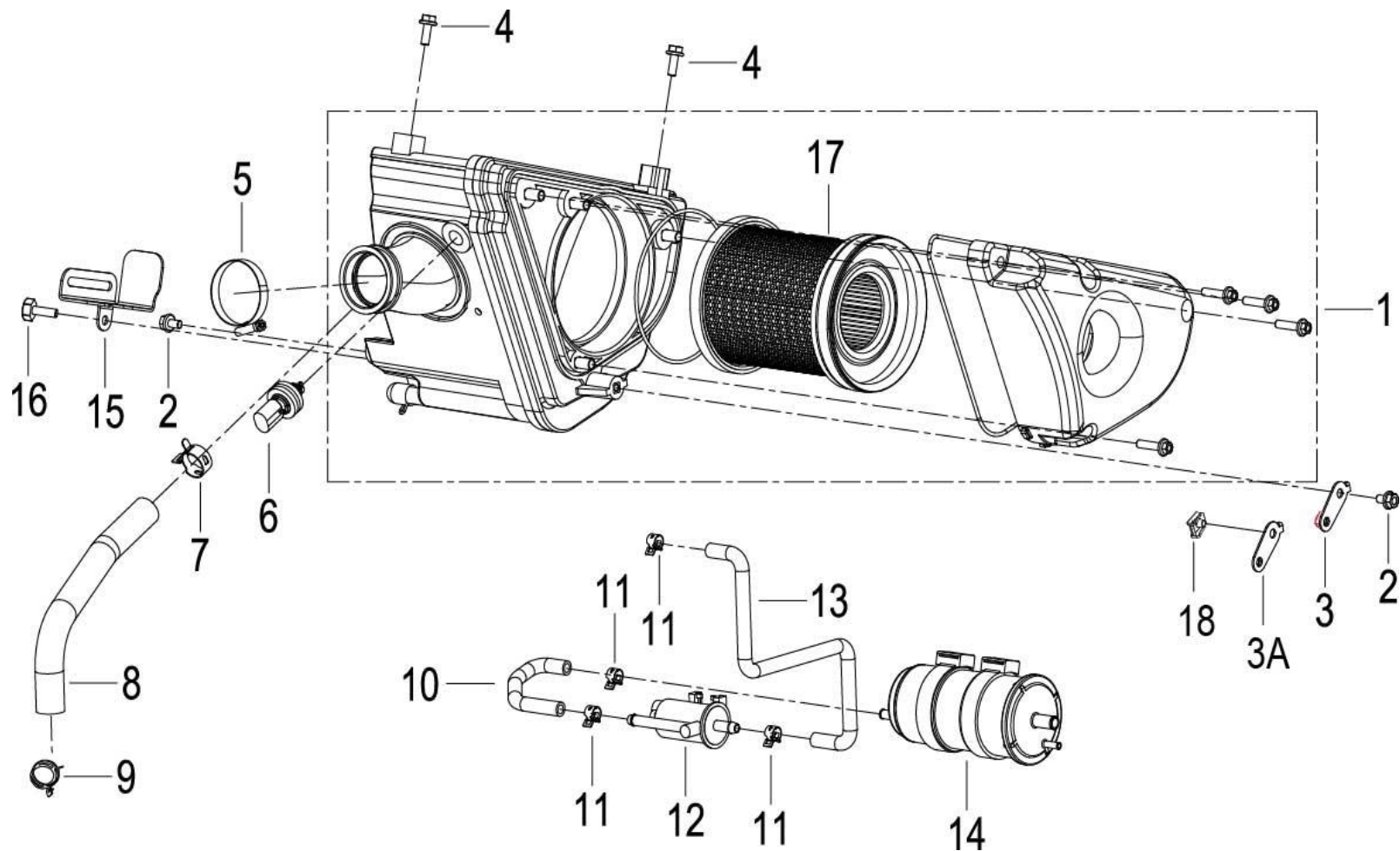
F05 消声器 MUFFLER ASSY.



NO.	Position No.	CODE	CN DESCRIPTION	EN DESCRIPTION	Qty	NOTES
1	F05	47100P090072	消声器焊接组件	MUFFLER COMP.	1	for Q19-12 Malaysia market
2	F05	47050P090000	排气密封圈组件	EXHAUST PIPE GASKET	1	
3	F05	319025100000	氧传感器	OXYGEN SENSOR	1	
4	F05	B0407080005H	螺母M8	NUT M8	2	
4A	F05	B04220800054	盖形螺母M8	NUT M8	2	
5	F05	B0109080306H	螺栓M8x30	BOLT M8x30	2	
6	F05	65613P260000	护板衬套	PROTECTOR BUSH	2	
7	F05	65617H010010	橡胶套II	RUBBER SLEEVE II	2	

NO.	Position No.	CODE	CN DESCRIPTION	EN DESCRIPTION	Qty	NOTES
8	F05	47760P090011	装饰罩组件	DECORATIVE COVER,MUFFLER	1	
9	F05	47023P090010	前装饰罩	FRONT DECORATIVE COVER,MUFFLER	1	
10	F05	B0703000060A	垫圈φ6	WASHER 6	5	
11	F05	B0700000060A	弹簧垫圈φ6	SPRING WASHER 6	5	
12	F05	B0218060106A	内六角螺钉M6X10	SCREW M6X10	5	
13	F05	B0417080004H	自锁螺母M8	NUT M8	2	
14	F05	B0703000080A	垫圈 φ 8	WASHER 8	2	
15	F05	47003P090000	排气管哈夫	MUFFLER METAL HALF CONE GASKET	2	
16	F05	47001P090000	法兰	FLANGE	1	

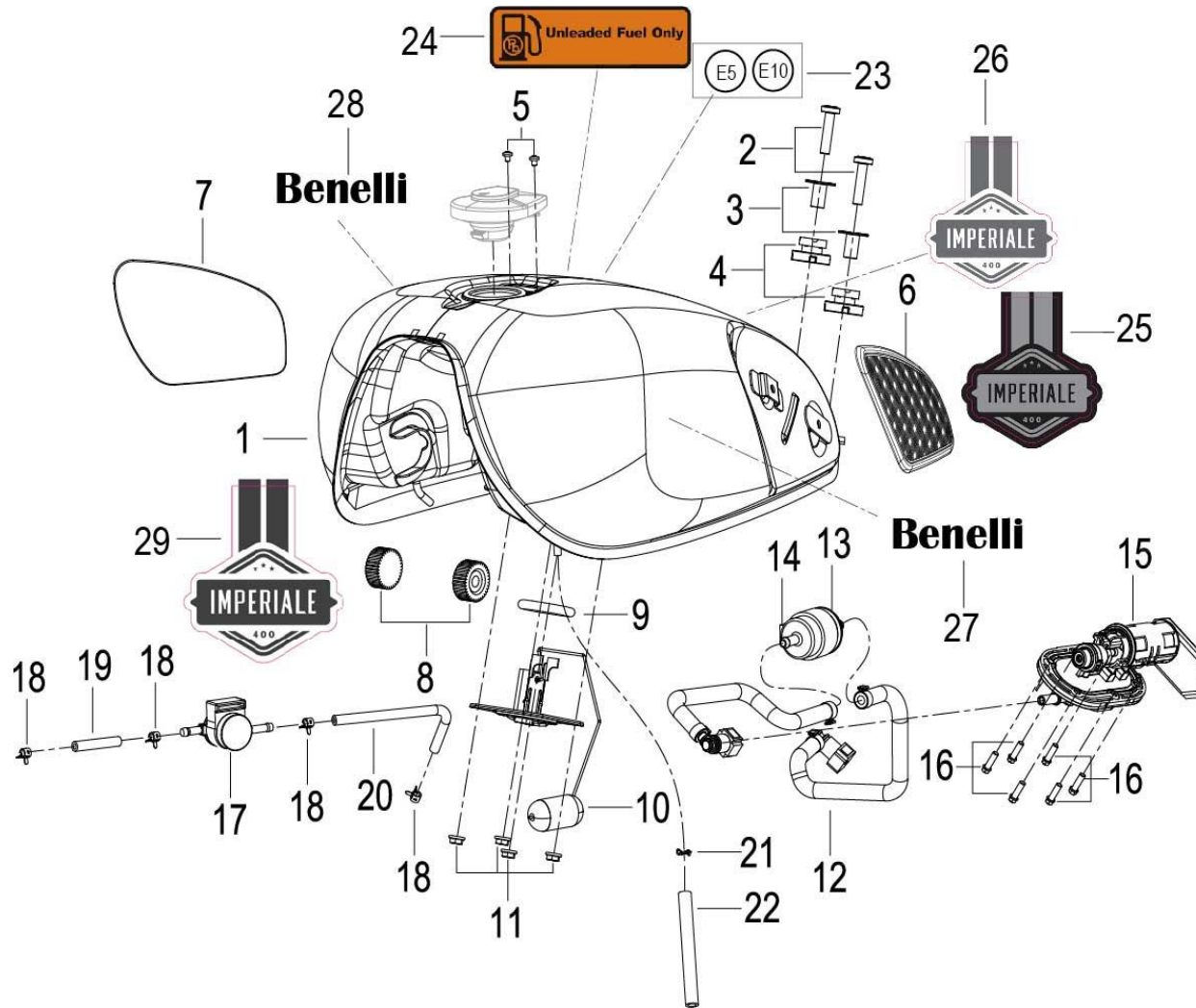
F06 空滤器 AIR CLEANER ASSY.



NO.	Position No.	CODE	CN DESCRIPTION	EN DESCRIPTION	Qty	NOTES
1	F06	49100P090002	空滤器组件	AIR CLEANER	1	
2	F06	B0109060106H	螺栓M6×10	BOLT M6×10	2	
3	F06	49060P090000	空滤器与左护板连接板组件	CONNECTING BOARD	1	
3A	F06	49061P090000	空滤器与左护板连接板	CONNECTING BOARD	1	
4	F06	B01090601665	六角法兰面螺栓M6×16	BOLT M6×16	2	
5	F06	49016N070000	不锈钢卡箍50	CLAMP Ø50	1	

NO.	Position No.	CODE	CN DESCRIPTION	EN DESCRIPTION	Qty	NOTES
6	F06	310015040000	进气温度传感器	TEMPERATURE SENSOR	1	
7	F06	49805B570000	耐热管卡箍Φ19.3×10×1	CLAMP 19.3×10×1	1	
8	F06	49025P090000	废气回收管	WASTE GAS RECOVERY TUBE	1	
9	F06	06104N220001	水管卡箍Φ24×12×1.5	CLIP Φ24×12×1.5	1	
10	F06	49922P090000	碳罐与碳罐电磁阀连接管	PIPE	1	
11	F06	50307J140302	板式卡箍φ10	PLATE CARD HOOP 10	4	
12	F06	49710N070000	碳罐电磁阀	VALVE EGR	1	
13	F06	49923P090000	电磁阀与节流阀体连接管	PIPE	1	
14	F06	49912K670000	碳罐组合	CANISTER	1	
15	F06	57043P090000	工具包挡板	FIXING PLATE	1	
16	F06	B02810601262	螺钉M6×12	SCREW M6×12	1	
17	F06	49200P090000	滤芯组件(纸质)	AIR CLEANER FILTER	1	
18	F06	65803S010010	卡片螺母M6	CLIP NUT M6	1	

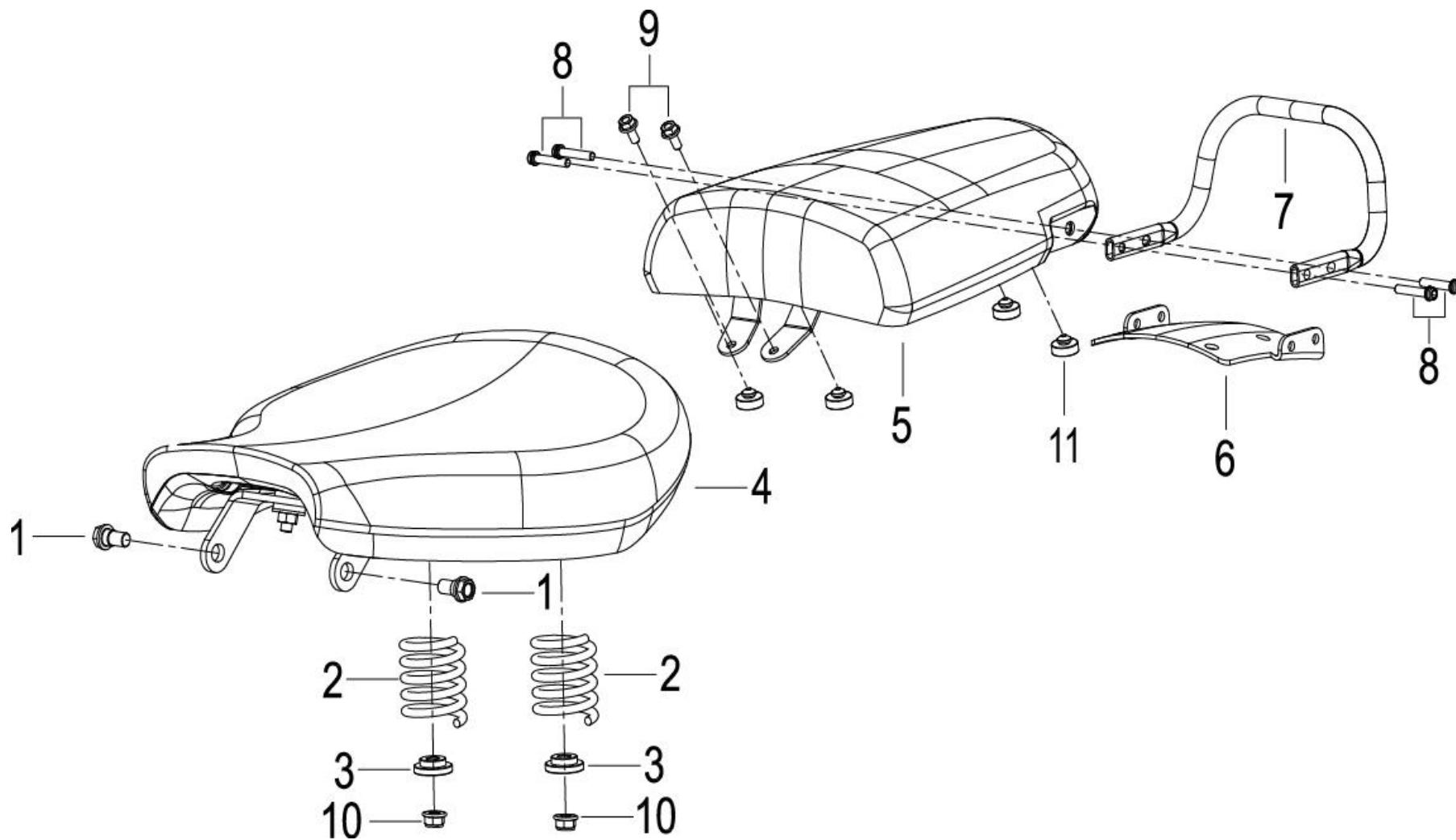
F07 燃油箱 FUEL TANK ASSY.



NO.	Position No.	CODE	CN DESCRIPTION	EN DESCRIPTION	Qty	NOTES
1	F07	50100P09006Z	油箱体组件(400紫红TT)带贴花	FUEL TANK,PURPLE RED TT,WITH STICKER	1	
1	F07	50100P09003Z	油箱体组件(珍珠黑B2)带贴花	FUEL TANK,BLACK B2,WITH STICKER	1	
1	F07	50100P09005Z	油箱体组件(400闪银CJ)带贴花	FUEL TANK,SILVER CJ,WITH STICKER	1	
1	F07	50100P09013Z	油箱体组件(400紫红TT)带贴花	FUEL TANK,PURPLE RED TT,WITH STICKER	1	
1	F07	50100P09011Z	油箱体组件(珍珠黑B2)带贴花	FUEL TANK,BLACK B2,WITH STICKER	1	
1	F07	50100P09012Z	油箱体组件(400闪银CJ)带贴花	FUEL TANK,SILVER CJ,WITH STICKER	1	

NO.	Position No.	CODE	CN DESCRIPTION	EN DESCRIPTION	Qty	NOTES
2	F07	52019J800000	后货架螺钉II	SCREW II M8x35	2	
3	F07	50014J410000	橡胶垫衬管	T BUSH	2	
4	F07	50018V030000	油箱缓冲橡胶	FUEL TANK BUFFER RUBBER	2	
5	F07	B0200040052H	螺钉M4x5	SCREW M4x5	2	
6	F07	65651P090121	油箱左装饰板组件(Benelli字样)	LEFT DECORATIVE PLATE,MARK Benelli	1	
7	F07	65661P090121	油箱右装饰板组件(Benelli字样)	RIGHT DECORATIVE PLATE,MARK Benelli	1	
8	F07	50005J000000	缓冲垫	MOUNTING PAD FUEL TANK	2	
9	F07	50002K020000	传感器橡胶垫	RUBBER CUSHION	1	
10	F07	50800P090000	油位传感器组件	FUEL LEVEL SENSOR	1	
11	F07	B0407060005H	六角法兰面螺母M6	NUT M6	4	
12	F07	50370P090000	油管组件	FUEL TUBE	1	
13	F07	50340N100001	滤清器组件	FUEL STRAINER	1	
14	F07	50391N070010	过滤器护套	FILTER JACKET	1	
15	F07	50400P090000	燃油泵组件	FUEL PUMP ASSY	1	
16	F07	B0109050166H	螺栓M5x16	BOLT M5x16	6	
17	F07	50260T730005	倾倒阀组件	ROLL OVER SENSOR	1	
18	F07	49016B350010	板式卡箍φ8.5×8×0.6	PLATE CLAMP φ8.5×8×0.6	4	
19	F07	B16010C21901	油管	HOSE Φ4.5×Φ8.5×190MM	1	
20	F07	49905P130000	倾倒阀与碳罐连接管Φ5×2×630	PIPE Φ5×2×630	1	
21	F07	B17010105003	钢丝卡箍Φ10.5	SPRING CLIP Φ10.5	1	
22	F07	B16010728001	油管Φ7×11×800	HOSE Φ7×11×800	1	
25	F07	05534P090100	油箱贴花(黑色)	BLACK STICKER	1	
26	F07	05534P090000	油箱贴花(银色)	SILVER STICKER	1	
27	F07	05533P090001	油箱金属标牌Benelli左	BENELLI LABEL,LEFT	1	
28	F07	05535P090001	油箱金属标牌Benelli右	BENELLI LABEL,RIGHT	1	

F08 座垫 SEAT ASSY.

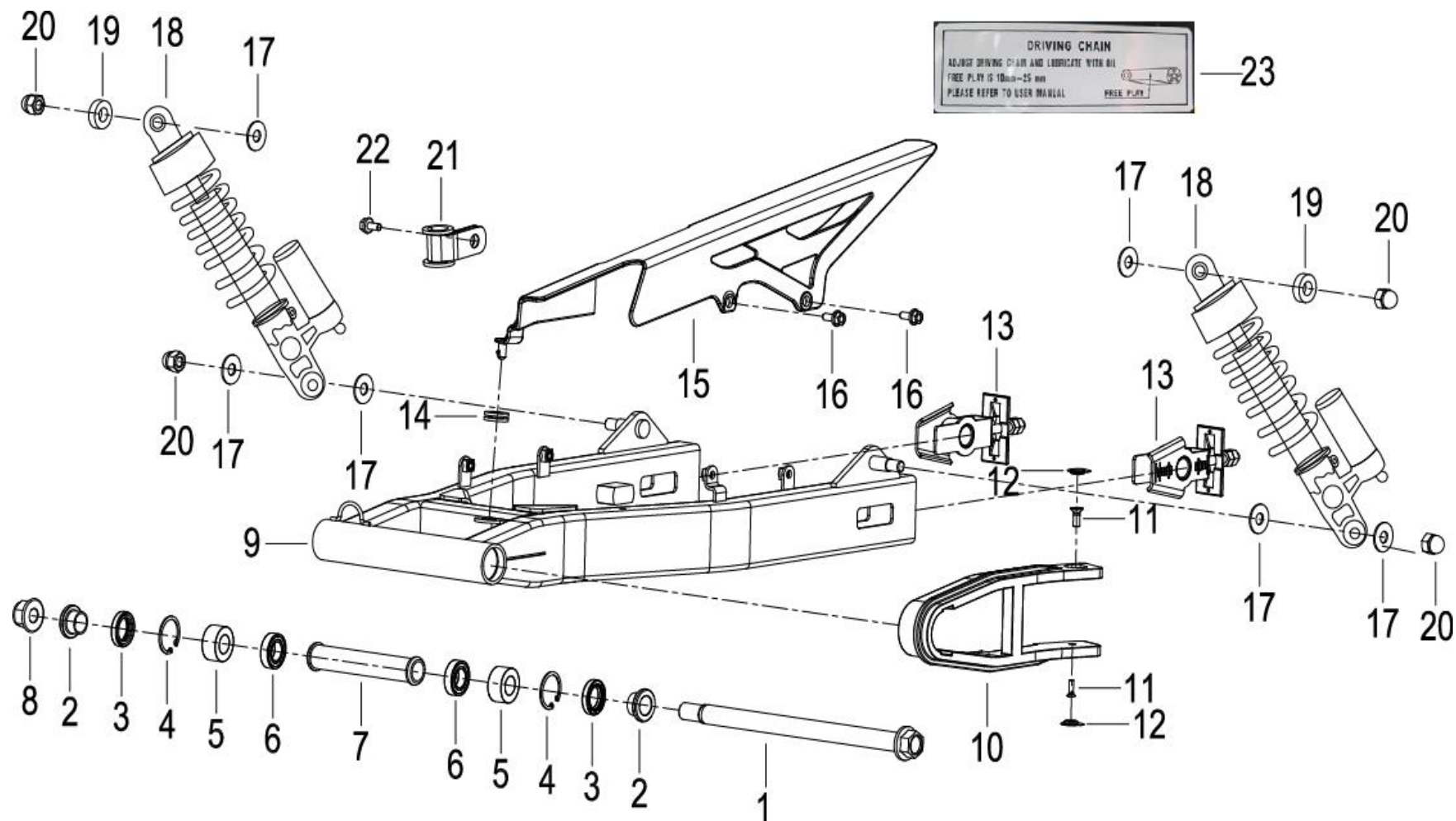


NO.	Position No.	CODE	CN DESCRIPTION	EN DESCRIPTION	Qty	NOTES
1	F08	08011P090000	凸台螺栓M10	BOLT M10	2	
2	F08	51022P090000	前座垫弹簧	FRONT SEAT SPRING	2	
3	F08	51023P090000	前座垫弹簧压套T型	T BUSH	2	
4	F08	51100P090020	前座垫组件	FRONT SEAT ASSY	1	
5	F08	51200P090021	后座垫组件	REAR SEAT ASSY	1	



NO.	Position No.	CODE	CN DESCRIPTION	EN DESCRIPTION	Qty	NOTES
6	F08	65790P090000	后座垫安装板组件	REAR SEAT FIXING PLATE	1	
7	F08	52002P090001	后扶手	GRAB RAIL	1	
8	F08	B0109060356H	螺栓M6×35	BOLT M6×35	4	
9	F08	B0109060146H	螺栓M6×14	BOLT,FLANGE,M6×14	2	
10	F08	B0417080004H	自锁螺母M8	NUT M8	2	
11	F08	51103V030000	座垫缓冲橡胶圈	RUBBER RING	2	

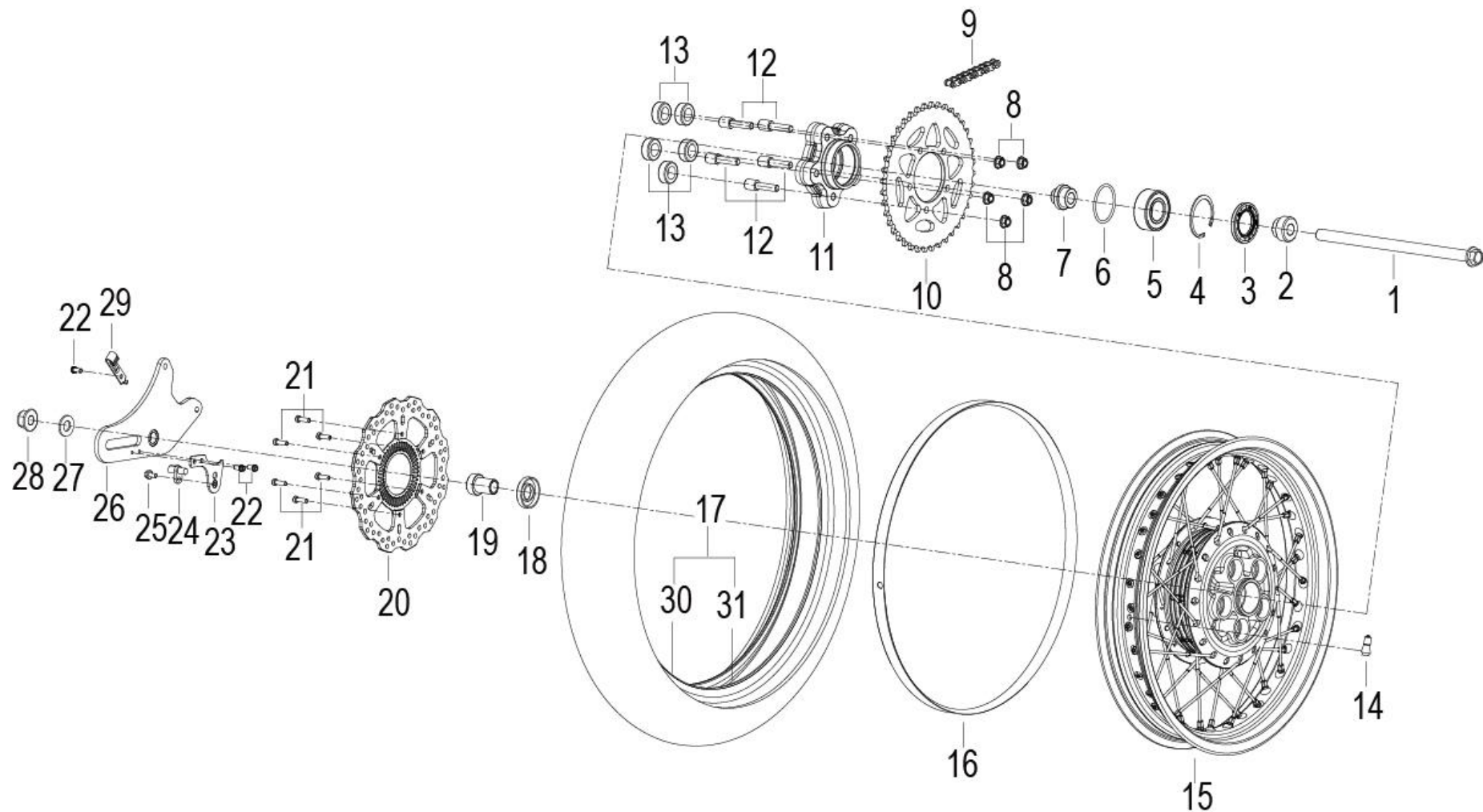
# F09 后摆臂 SWING ARM ASSY



NO.	Position No.	CODE	CN DESCRIPTION	EN DESCRIPTION	Qty	NOTES
1	F09	53001P090000	后摆臂安装轴	PIVOT SHAFT	1	
2	F09	53006P090000	后摆臂外隔套	SWING ARM DUST COVER	2	
3	F09	53210P090000	后摆臂油封	SEAL	2	
4	F09	B08000003001	孔用弹性挡圈φ30	CIRCLIP φ30	2	
5	F09	B1210H690301	滚针轴承NA6903	NEEDLE ROLLER BEARING NA6903	2	
6	F09	B12016190304	滚动轴承61903-2RS/P63	ROLLING BEARING 61903-2RS/P63	2	

NO.	Position No.	CODE	CN DESCRIPTION	EN DESCRIPTION	Qty	NOTES
7	F09	53007P090000	后摆臂中间轴套	SPACER	1	
8	F09	B0417141504H	自锁螺母M14×1.5	NUT M14×1.25	1	
9	F09	53100P090001	后摆臂焊接组件	SWING ARM	1	
10	F09	53004P090000	链条防护块	CHAIN PROTECT BLOCK	1	
11	F09	B0201060122H	螺钉M6×12	SCREW M6×12	2	
12	F09	53018J800200	隔套	SPACER	2	
13	F09	53230J410100	链条调节器组件	ADJUSTER ASSY,CHAIN	2	
14	F09	65618J000000	护板橡胶垫丙	CUSHION	1	
15	F09	60101P090000	链罩	DRIVE CHAIN COVER	1	
16	F09	B0284060150A	螺钉M6×15.2	SCREW M6×15.2	2	
17	F09	08024J000030	垫圈φ12.5×φ24×1.5	WASHER φ12.5×φ24×1.5	6	
18	F09	63800P090000	后减震器组件	REAR SHOCK ABSORBER ASSY	2	
19	F09	52019U110100	后货架安装衬套	BUSH	2	
20	F09	08052J000000	盖形螺母M10×1.25	CAP NUT M10×1.25	4	
21	F09	43070D010020	里程表线夹组件2	CLIP	2	
22	F09	B0109060126H	六角头法兰面螺栓M6×12	BOLT M6×12	1	
23	F09	05551J000010	链条调整标志	ADJUSTING LABEL,CHAIN	1	

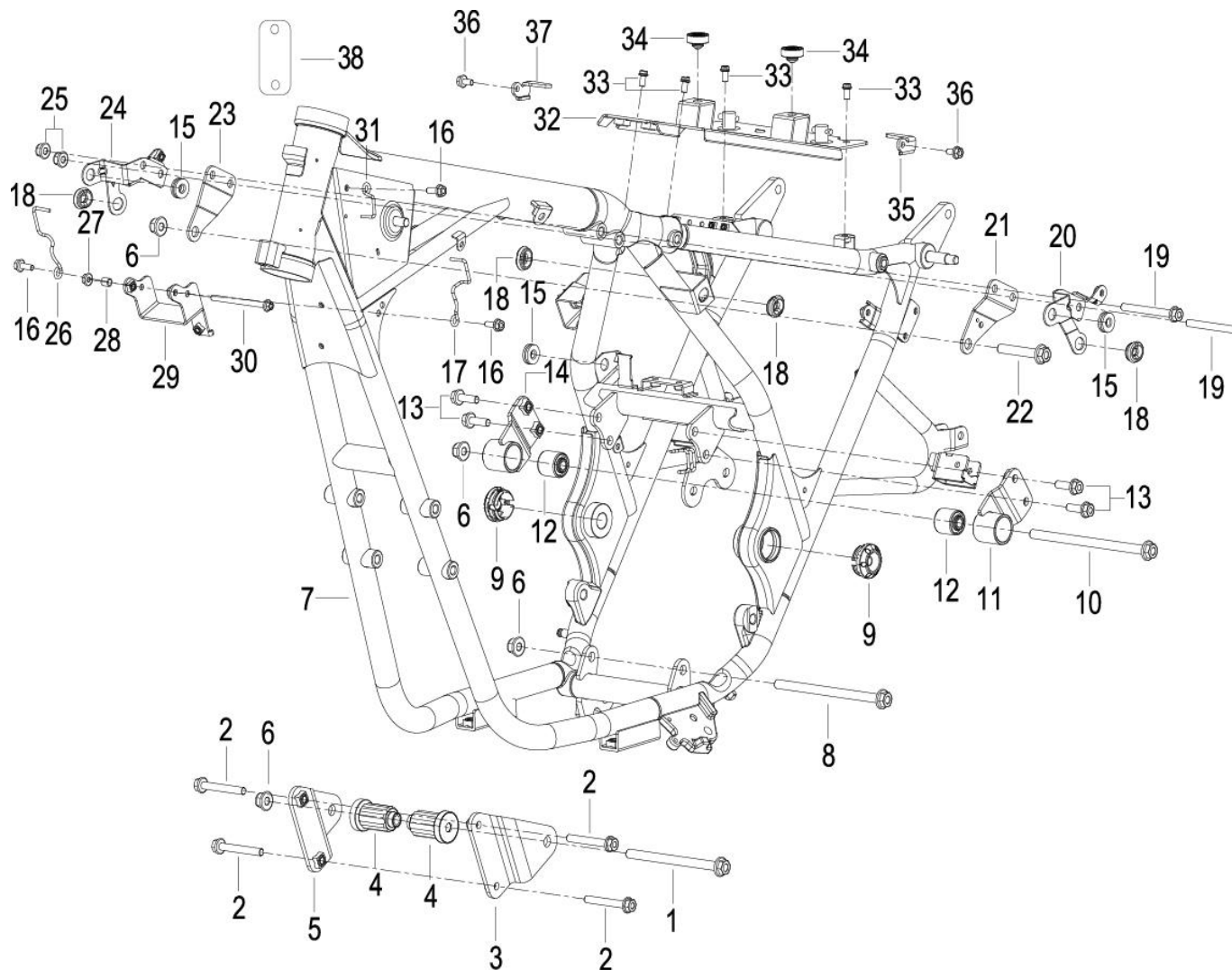
F10 后轮 REAR WHEEL ASSY.



NO.	Position No.	CODE	CN DESCRIPTION	EN DESCRIPTION	Qty	NOTES
1	F10	54004P090000	后轮轴	REAR WHEEL AXLE	1	
2	F10	54016P090000	后轮左衬套	REAR WHEEL LEFT COLLAR	1	
3	F10	60200P100000	唇形密封圈组件	LIP SEAL ASSY 38x62x7	1	
4	F10	B08810006200	挡圈Φ62	CIRCLIP φ62	1	
5	F10	54553S010000	轴承30x62x23.8	BEARING 30x62x23.8	1	

NO.	Position No.	CODE	CN DESCRIPTION	EN DESCRIPTION	Qty	NOTES
6	F10	B190105300C0	O型密封圈φ53×φ3.55	SEAL RING 36.5×1.8	1	
7	F10	60006P090000	链传动轴套	DRIVE SHAFT SLEEVE	1	
8	F10	B04821012552	自锁螺母M10×1.25	SELF-LOCKING NUT M10×1.25	5	
9	F10	60310P180002	链条525SX-1×110	CHAIN 525SX-1×110	1	
10	F10	60002P250000	链轮46齿	SPROCKET 46TEETH	1	
11	F10	60001P100000	链轮毂	DRUM SPROCKET MOUNTING	1	
12	F10	60015P250010	链轮固定螺栓M10×1.25×41	SPROCKET MOUNTING BOLT M10×1.25×41	5	
13	F10	54622S010000	后轮缓冲套	REAR WHEEL DRIVE HUB DAMPER	5	
14	F10	B1403Z201100	气门嘴	AIR VALVE/RIM VALVE	1	
15	F10	54100P09001Z	后轮圈组件	REAR WHEEL	1	
16	F10	44013D010002	内胎垫带	INNER TUBE STRIP	1	
17	F10	B141108E180Z	内外胎	TUBE&TIRE 130/80-18	1	
18	F10	54300K020000	后轮毂尘封	REAR WHEEL DUST SEAL	1	
19	F10	54005P090001	后轮右衬套	REAR WHEEL RIGHT COLLAR	1	
20	F10	55030P090001	后制动盘组件	REAR BRAKE DISC	1	
21	F10	B0282060208H	螺钉M6×20	SCREW M6×20	6	
22	F10	B02810601262	螺钉M6×12	SCREW M6×12	2	
23	F10	55720P090000	后轮速传感器安装座	REAR WHEEL ROTATION SENSOR MOUNTING BASE	1	
24	F10	55710P100000	后轮速传感器	REAR WHEEL ROTATION SENSOR	1	
25	F10	B0109060126H	六角头法兰面螺栓M6×12	BOLT M6×12	1	
26	F10	55610P090000	后液刹安装板组件	REAR BRAKE CALIPER MOUNTING PLATE	1	
27	F10	08021K670000	垫圈φ16×φ32×2	WASHER φ16×φ32×2	1	
28	F10	B0417161504H	自锁螺母M16×1.5	NUT M16×1.5	1	
29	F10	55043P090000	后液刹管限位板	LIMMIT PLATE	1	
30	F10	B141108E1800	外胎130/80-18	TIRE 130/80-18	1	
31	F10	B140208E1800	内胎130/80-18	TUBE 130/80-18	1	

F11 车架 FRAME ASSY.



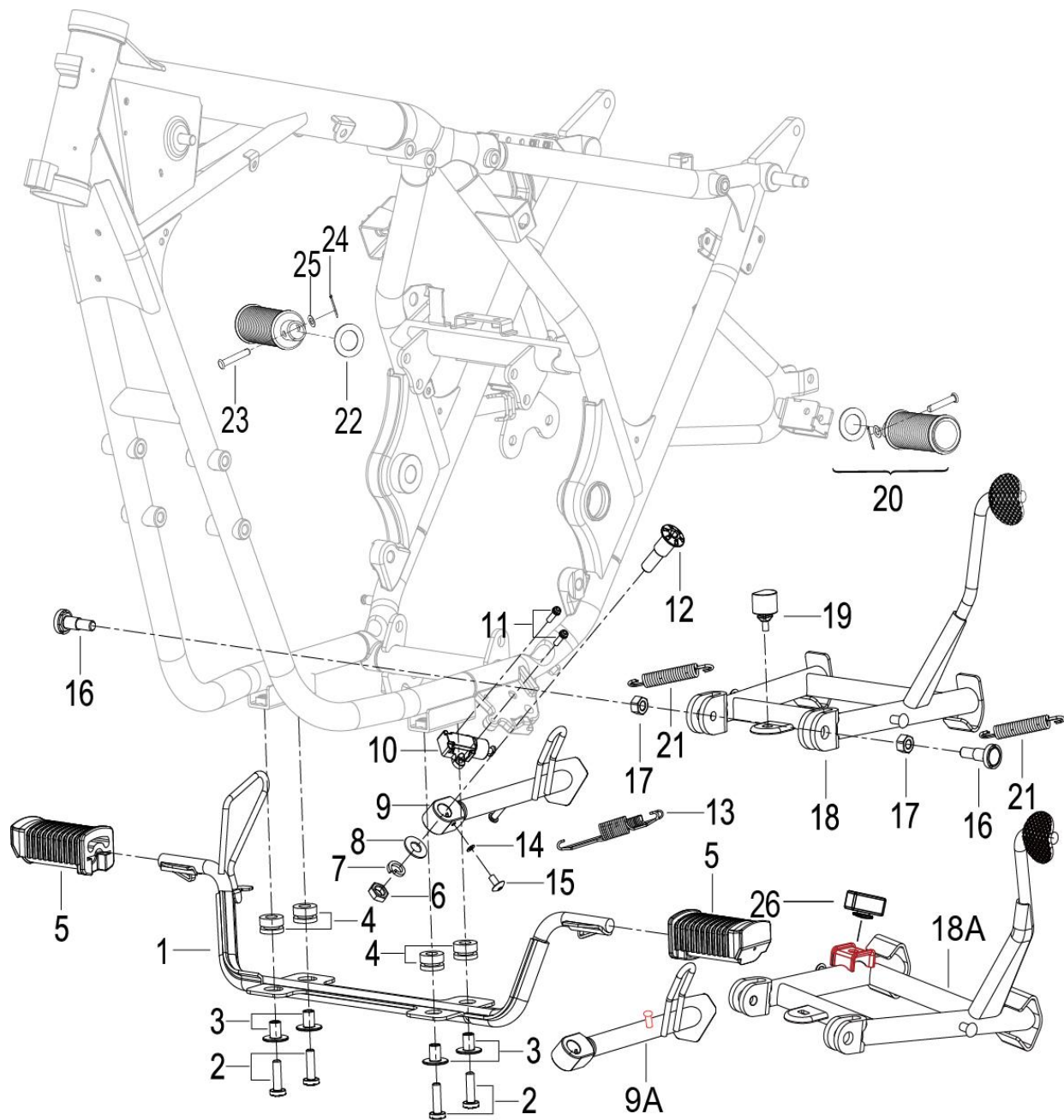
NO.	Position No.	CODE	CN DESCRIPTION	EN DESCRIPTION	Qty	NOTES
1	F11	B0159101356H	螺栓M10×1.25×135	BOLT M10×1.25×135	1	
2	F11	B0109080606H	螺栓M8×60	BOLT M8×60	4	
3	F11	57020P090000	发动机左前挂板组件	ENGINE LEFT FRONT MOUNTING PLATE	1	
4	F11	57060P090000	发动机前缓冲衬套	ENGINE BUFFER BUSH ASSY.	2	
5	F11	57030P090000	发动机右前挂板组件	ENGINE RIGHT FRONT MOUNTING PLATE	1	

NO.	Position No.	CODE	CN DESCRIPTION	EN DESCRIPTION	Qty	NOTES
6	F11	B04821012552	自锁螺母M10×1.25	SELF-LOCKING NUT M10×1.25	4	
7	F11	57100P09BHKW	车架焊接组件(配新单撑)	FRAME ASSY.FOR NEW SIDE STAND	1	start vin ZBNP09004LBB30226
8	F11	B0159101556H	螺栓M10×1.25×155	BOLT M10×1.25×155	1	
9	F11	65532P09BG00	车架装饰罩(哑黑BG)	FRAME DECORATIVE COVER,MATT BLACK BG	2	
10	F11	B0159101706H	六角法兰面螺栓M10×1.25×170	BOLT M10×1.25×170	1	
11	F11	58630P090000	发动机左后挂板组件	ENGINE LEFT REAR MOUNTING PLATE	1	
12	F11	57060P130000	发动机前缓冲衬套组件	ENGINE BUFFER BUSH ASSY.	2	
13	F11	B0109080206H	螺栓M8×20	BOLT M8×20	4	
14	F11	58640P090000	发动机右后挂板组件	ENGINE RIGHT REAR MOUNTING PLATE	1	
15	F11	65618J000000	护板橡胶垫丙	CUSHION	3	
16	F11	B01090601665	面螺栓M6×16	BOLT M6×16	3	
17	F11	57041P090000	车架左线夹II	WIRE CLIP II	1	
18	F11	65618J130001	护板橡胶垫	RUBBER CUSHION	4	
19	F11	B0109080756H	螺栓M8×75	BOLT M8×75	2	
20	F11	59460P090000	发动机左装饰板安装座	LEFT DECORATIVE BOARD MOUNTING SEAT	1	
21	F11	58650P090000	发动机左上挂板组件	ENGINE LEFT UPPER MOUNTING PLATE	1	
22	F11	B0159100606H	六角法兰面螺栓M10×1.25×60	BOLT M10×1.25×60	1	
23	F11	57008P090000	发动机右上挂板	ENGINE RIGHT UPPER MOUNTING PLATE	1	
24	F11	59470P090000	发动机右装饰板安装座	RIGHT DECORATIVE BOARD MOUNTING SEAT	1	
25	F11	B0417080004H	自锁螺母M8	NUT M8	2	
26	F11	57042P090000	车架右线夹	RIGHT WIRE CLIP	1	
27	F11	B0407060005H	螺母M6	NUT M6	1	
28	F11	08344J040000	大灯支架衬套	BUSH	1	
29	F11	59480P090000	高压包安装座	STICK COIL MOUNTING BRACKET	1	
30	F11	B0107060806H	六角头法兰面螺栓M6×80	BOLT M6X80	1	
31	F11	57013P090000	车架左线夹I	LEFT WIRE CLIP I	1	
32	F11	58760P090000	座垫安装座	SEAT MOUNTING BRACKET	1	
32	F11	58760P090001	座垫安装座	SEAT MOUNTING BRACKET	1	

NO.	Position No.	CODE	CN DESCRIPTION	EN DESCRIPTION	Qty	NOTES
33	F11	B02810601262	螺钉M6×12	SCREW M6×12-8.8-ZG	4	
34	F11	51103V030000	座垫缓冲橡胶圈	RUBBER RING	2	
35	F11	51024P090000	左座垫弹簧限位板	LIMMIT PLATE,LEFT	1	
36	F11	B0109060126H	六角头法兰面螺栓M6×12	BOLT M6×12	1	
37	F11	51025P090000	右座垫弹簧限位板	LIMMIT PLATE,RIGHT	1	

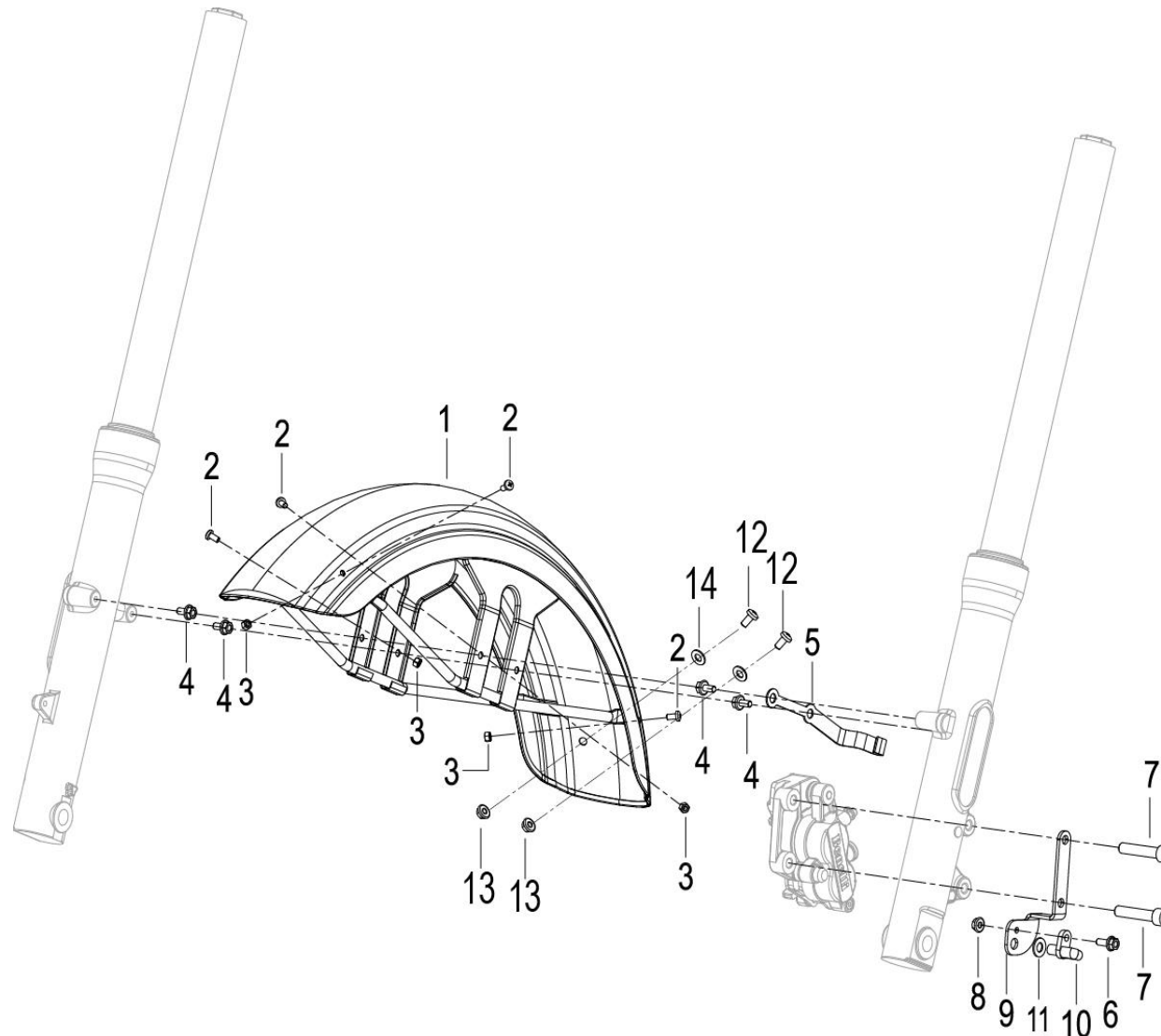


F12 中撑单撑&脚踏 MAIN STAND&SIDE STAND&PEDAL ASSY.



NO.	Position No.	CODE	CN DESCRIPTION	EN DESCRIPTION	Qty	NOTES
1	F12	58610P090000	前脚蹬焊接组件	LEFT FRONT FOOTREST	1	
2	F12	08001L340000	脚蹬安装螺钉	FOOTREST MOUNTING BOLT	4	
3	F12	58601P090000	前脚踏杆安装衬套φ9-φ12×14.5-φ26×2	FRONT FOOTREST BUSH φ9-φ12×14.5-φ26×2	4	
4	F12	58602H010001	前脚踏缓冲橡胶垫	FRONT FOOTREST RUBBER CUSHION	4	
5	F12	58221H170000	脚蹬橡胶套	FOOTREST RUBBER SLEEVE	2	
6	F12	B04031212514	薄螺母M12×1.25	NUT M12×1.25	1	
7	F12	B07000001204	弹簧垫圈φ12	SPRING WASHER 12	1	
8	F12	08021P250000	单撑安装垫圈	SIDE STAND PLATE WASHER	1	
9A	F12	58700P0900KW	单撑焊接组件(配新车架)	SIDE STAND ASSY	1	start vin ZBNP09004LBB30226
10	F12	91170N070000	单撑熄火开关	SIDE STAND SWITCH	1	
11	F12	B02810501462	螺栓M5×0.8×14	SCREW M5×0.8×14	2	
12	F12	57005P280100	单撑安装螺钉	SIDE STAND MOUNTING BOLT	1	
13	F12	57010P280000	单撑弹簧组件	SIDESTAND TENSION SPRING	1	
14	F12	B0703000060H	垫圈6	WASHER Φ6	1	
15	F12	B02830600862	螺钉M6×8	SCREW M6×8	1	
16	F12	57005K010200	单撑固定螺栓M10×1.25×35	BOLT M10×1.25×35	2	
17	F12	B0417101254H	自锁螺母M10×1.25	NUT M10 X 1.25	2	
18A	F12	58520P090001	中撑焊接组件	MAIN STAND ASSY	1	start vin ZBNP09001MBB30217
19	F12	58507P090000	中撑缓冲橡胶	BUFFER	1	
20	F12	58280J00035Z	后脚蹬组件	REAR FOOTREST ASSY.	2	
21	F12	58502P090000	中撑弹簧	HOOK, MID STAND SPRING	2	
22	F12	58262J000000	大垫圈(脚蹬组件内的)	WASHER	2	
23	F12	B090406032BH	销轴6×32	PIN SHAFT 6×32	2	
24	F12	B090002012AH	开口销2×12	COTTER PIN 2×12	2	
25	F12	B0703000060H	垫圈6	WASHER Φ6	2	
26	F12	43504E070001	缓冲块	DAMPER	1	for vehicle vin before ZBNP09001MBB30217

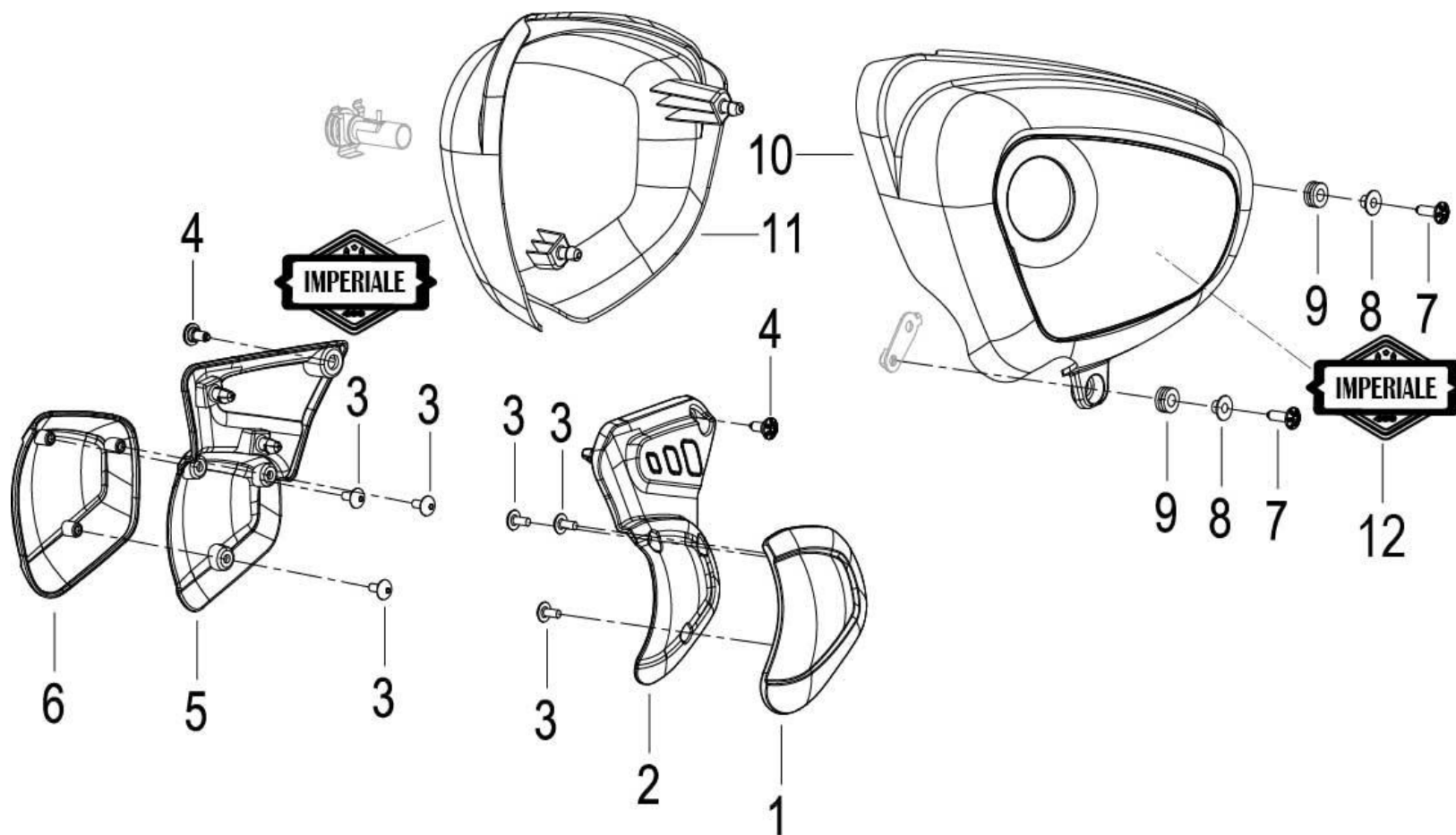
F13 前挡泥板 FRONT FENDER ASSY.



NO.	Position No.	CODE	CN DESCRIPTION	EN DESCRIPTION	Qty	NOTES
1	F13	65150P09B210	前挡泥板组件(珍珠黑B2)	FRONT FENDER,BLACK B2	1	B2-TT-CJ
2	F13	B0200050102G	十字槽盘头螺钉M5×10	SCREW M5×10	4	
3	F13	B0400050005G	螺母M5	NUT M5	4	
4	F13	B0109060126H	六角头法兰面螺栓M6×12	BOLT M6×12	1	
5	F13	65112J820000	液刹管管夹	BRAKE HOSE CLIP	1	

NO.	Position No.	CODE	CN DESCRIPTION	EN DESCRIPTION	Qty	NOTES
6	F13	B01090601665	螺栓M6×16	BOLT M6×16	1	
7	F13	B02051005062	内六角圆柱头螺钉M10×50	SCREW M10×50	2	
8	F13	B0407060005H	螺母M6	NUT M6	3	
10	F13	45710P100000	前轮速传感器	FRONT WHEEL ROTATION SENSOR	1	
11	F13	43283P100010	垫片φ11.5×φ6×0.4	WASHER φ11.5×φ6×0.4	1	
12	F13	B0200060122G	十字槽盘头螺钉M6×12	SCREW M6×12	2	
13	F13	B0407060005G	螺母M6	NUT M6	2	
14	F13	B0703000060G	垫圈6	WASHER φ6	2	

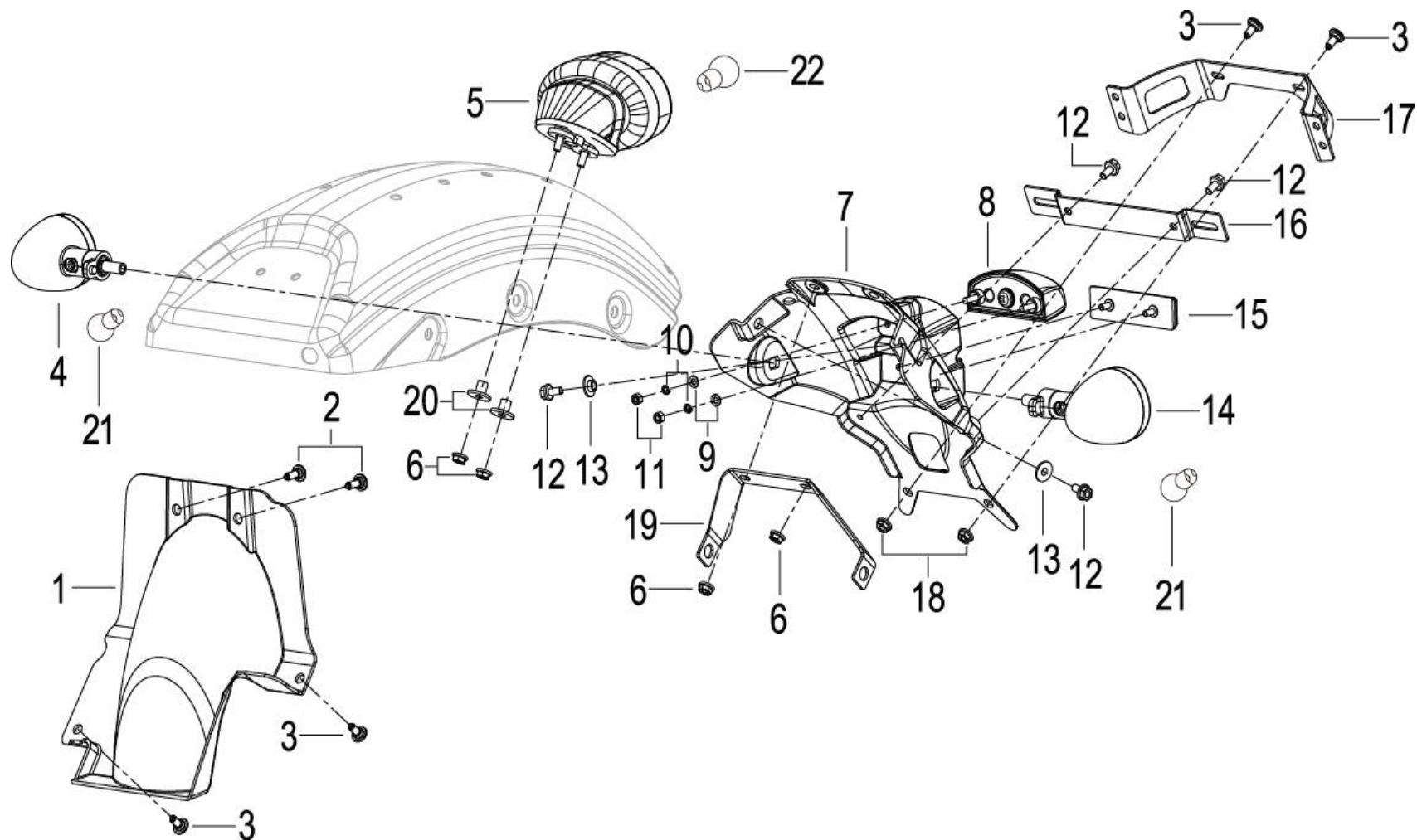
F14 护板SIDE COVER ASSY.



NO.	Position No.	CODE	CN DESCRIPTION	EN DESCRIPTION	Qty	NOTES
1	F14	65438P090000	发动机左装饰板II	ENGINE LEFT DECORATIVE BOARD II	1	
2	F14	65436P090000	发动机左装饰板I	ENGINE LEFT DECORATIVE BOARD I	1	
3	F14	B02830501262	螺栓M5×12	SCREW M5×12	5	
4	F14	B0284060150A	螺钉M6×15.2	SCREW M6×15.2	2	
5	F14	65437P090000	发动机右装饰板I	ENGINE RIGHT DECORATIVE BOARD I	1	
6	F14	65439P090000	发动机右装饰板II	ENGINE RIGHT DECORATIVE BOARD II	1	
7	F14	B01090602065	螺钉M6×20	BOLT M6X20	2	

NO.	Position No.	CODE	CN DESCRIPTION	EN DESCRIPTION	Qty	NOTES
8	F14	53186S010010	隔套	SPACER BUSH	2	
9	F14	57039S010000	橡胶隔套	RUBBER CUSHION	2	
10	F14	65601P09B200	左护板(珍珠黑B2)	LEFT SIDE COVER,BLACK B2,WITHOUT STICKER	1	B2-TT-CJ
10	F14	65601P09002Z	左护板(珍珠黑B2)带贴花	LEFT SIDE COVER,BLACK B2,WITH STICKER	1	B2-TT-CJ
11	F14	65602P09B200	右护板(珍珠黑B2)	RIGHT SIDE COVER,BLACK B2,WITHOUT STICKER	1	B2-TT-CJ
11	F14	65602P09002Z	右护板(珍珠黑B2)带贴花	RIGHT SIDE COVER,BLACK B2,WITH STICKER	1	B2-TT-CJ
12	F14	05543P090001	护板金属标牌IMPERIALE	IMPERIALE LABEL	2	

F15-1 尾灯转向灯TAIL COVER&TURN SIGNAL LIGHT

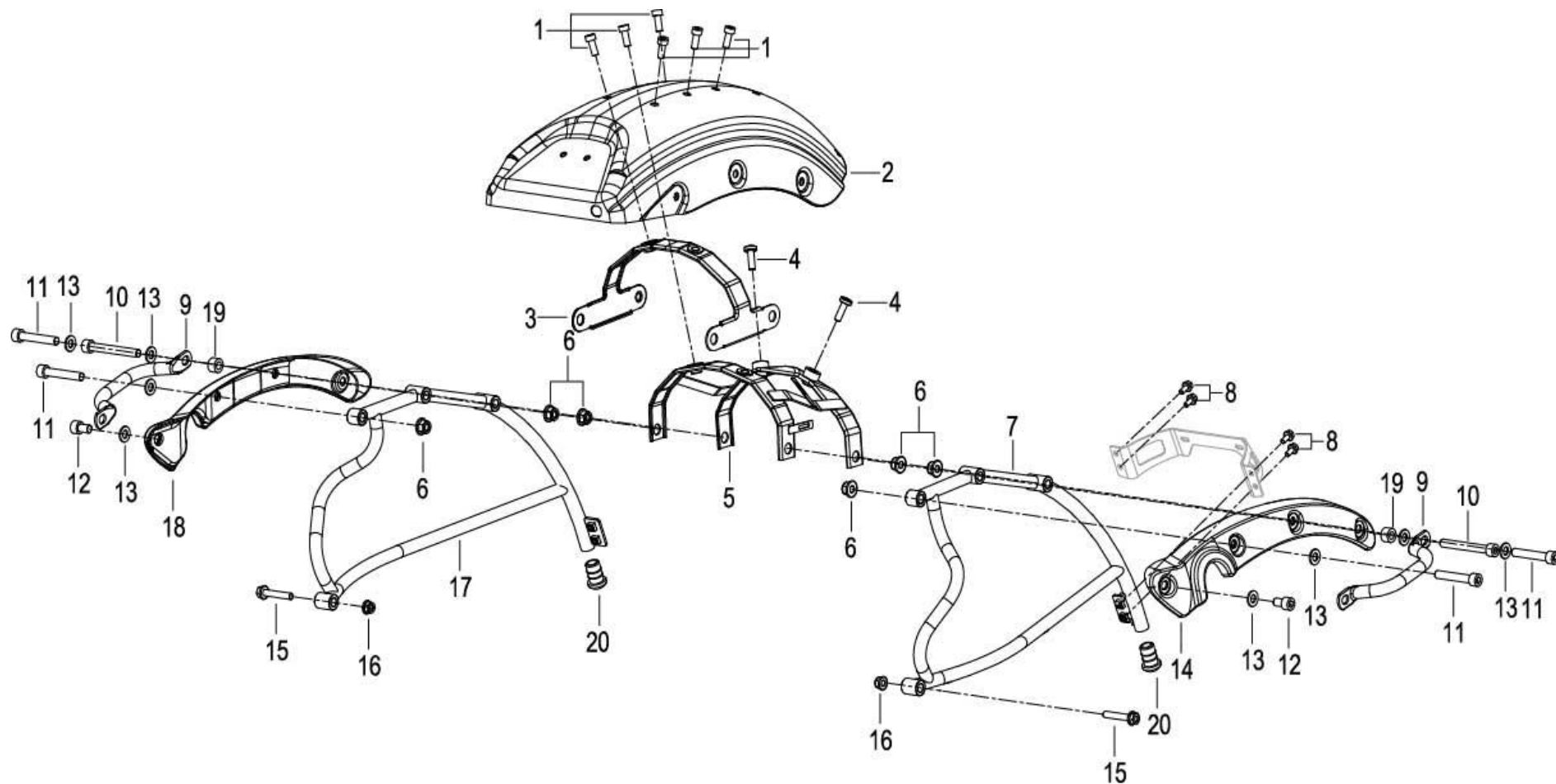


NO.	Position No.	CODE	CN DESCRIPTION	EN DESCRIPTION	Qty	NOTES
1	F15_1	65731P090000	后挡泥板前部	REAR FENDER FRONT PART	1	
2	F15_1	B0284060190A	螺钉M6×19.2	SCREW M6×19.2	2	
3	F15_1	B0284060150A	螺钉M6×15.2	SCREW M6×15.2	4	
4	F15_1	81700P090000	后右转向灯	REAR RIGHT TURN SIGNAL LIGHT	1	
5	F15_1	82000P090000	尾灯	TAIL LIGHT	1	
6	F15_1	B04170600044	自锁螺母M6	NUT M6	4	

NO.	Position No.	CODE	CN DESCRIPTION	EN DESCRIPTION	Qty	NOTES
7	F15_1	65741P090000	后挡泥板尾部	REAR FENDER TAIL PART	1	
8	F15_1	82900P090000	牌照灯	REAR LICENSE LAMP	1	
9	F15_1	B0703000050H	平垫圈Φ5	WASHER 5	2	
10	F15_1	B0700000050H	弹簧垫圈Φ5	SPRING WASHER 5	2	
11	F15_1	B0400050005H	六角螺母M5	NUT M5	2	
12	F15_1	B0109060126H	六角头法兰面螺栓M6×12	BOLT M6×12	1	
13	F15_1	08305B400100	衬套	BUSH	2	
14	F15_1	81500P090000	后左转向灯	REAR LEFT TURN SIGNAL LIGHT	1	
15	F15_1	86500B720001	后反射体	REAR REFECTOR	1	
16	F15_1	08252P090000	后牌照支架	REAR LINCENSE MOUNTING PLATE	1	
17	F15_1	58481P090000	左右后踏蹬连接板	REAR FOOTREST CONNECTING BOARD	1	Need to change together with 58481P090001 + 58260P090003 + 58280P090001
17	F15_1	58481P090001	左右后踏蹬连接板	REAR FOOTREST CONNECTING BOARD	1	start vin ZBNP09000LBB72490
18	F15_1	B0407060005H	六角法兰面螺母M6	NUT M6	2	
19	F15_1	65719P090000	后档泥板尾部加强板	REAR FENDER SUPPORT BRACKET	1	
20	F15_1	65517J900001	大灯衬套	HEADLIGHT BRACKET BUSH	2	
21	F15_1	B240121200F0	12V10W灯泡	BULB 12V10W	2	
22	F15_1	B240138200F0	12V21/5W灯泡	BULB 12V21/5W	1	



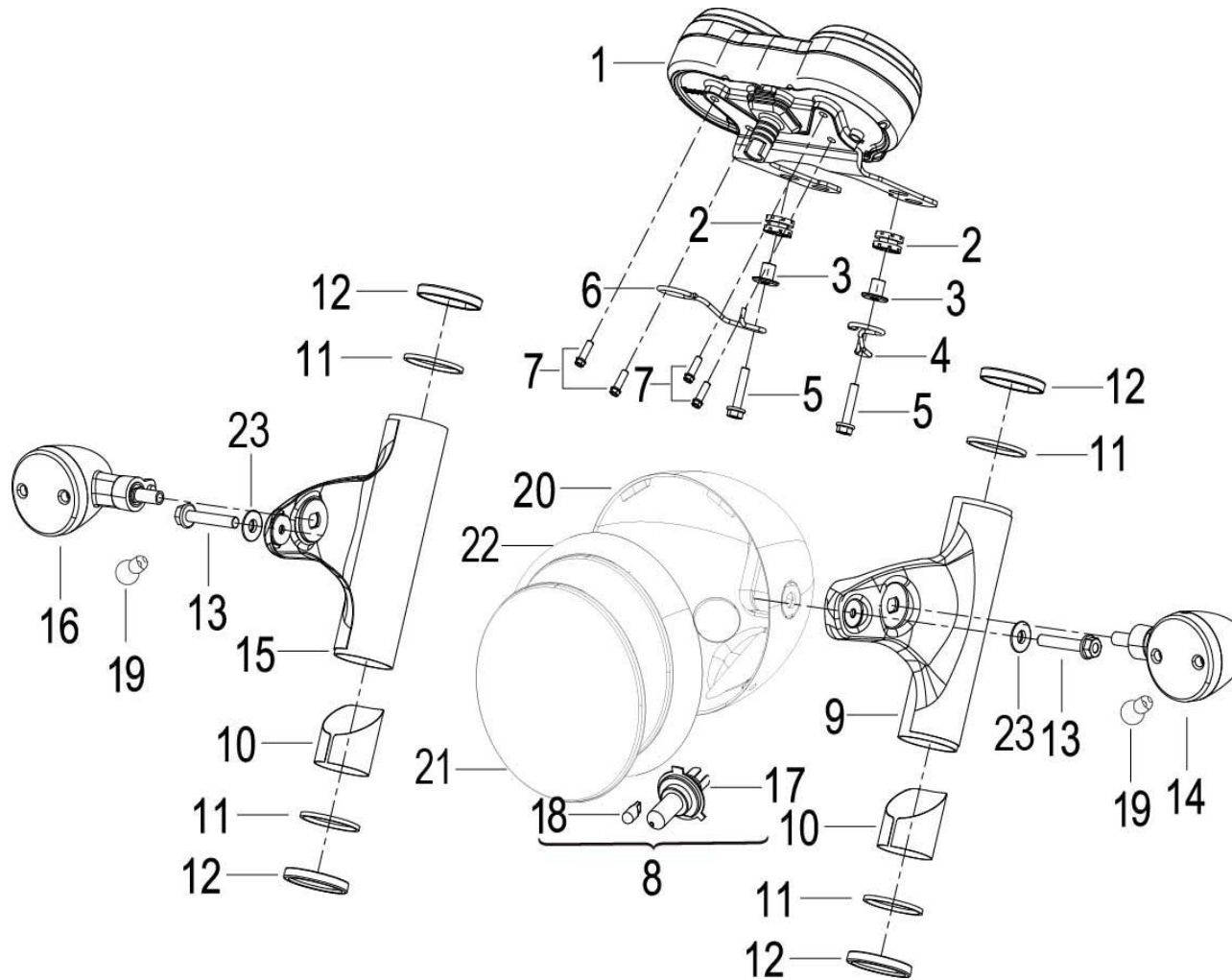
F15\_2 后泥板 REAR FENDER ASSY.



NO.	Position No.	CODE	CN DESCRIPTION	EN DESCRIPTION	Qty	NOTES
1	F15_2	B02810801662	螺栓M8×16	BOLT M8×16	6	
2	F15_2	65740P09B210	后挡泥板组件(珍珠黑B2)	REAR FENDER ASSYK,BLACK B2	1	B2-TT-CJ
3	F15_2	65770P090000	后挡泥板前加强板组件II	REAR FENDER FRONT SUPPORT BRACKET II	1	
4	F15_2	52018J800000	后货架螺钉I M8×25	SCREW M8×25	2	
5	F15_2	65720P090000	后挡泥板前加强板组件	REAR FENDER FRONT SUPPORT BRACKET	1	
6	F15_2	B04171000042	全金属六角法兰面锁紧螺母M10	NUT M10	6	

NO.	Position No.	CODE	CN DESCRIPTION	EN DESCRIPTION	Qty	NOTES
7	F15_2	58260P090001	左后踏蹬组件	LEFT REAR FOOTREST ASSY	1	
7	F15_2	58260P090003	左后踏蹬组件	LEFT REAR FOOTREST ASSY	1	start vin ZBNP09000LBB72490
8	F15_2	B0109060126H	六角头法兰面螺栓M6×12	BOLT M6×12	1	
9	F15_2	52011P090000	拉手	GRAB RAIL	2	
10	F15_2	B02051008062	内六角螺钉M10×80	SCREW M10×80	2	
11	F15_2	B0205100606H	内六角圆柱头螺钉M10×60	SCREW M10×60	4	
12	F15_2	B0205100166H	内六角圆柱头螺钉M10×16	SCREW M10×16	2	
13	F15_2	B0703000100H	垫圈10	WASHER 10	6	
14	F15_2	58850P090100	车架左装饰板组件	LEFT DECORATIVE BOARD	1	
15	F15_2	B0109080456H	六角法兰面螺栓M8×45	BOLT M8×45	2	
16	F15_2	B0417080004H	自锁螺母M8	NUT M8	2	
17	F15_2	58280P090000	右后踏蹬组件	RIGHT REAR FOOTREST ASSY	1	
17	F15_2	58280P090001	右后踏蹬组件	RIGHT REAR FOOTREST ASSY	1	start vin ZBNP09000LBB72490
18	F15_2	58860P090100	车架右装饰板组件	RIGHT DECORATIVE BOARD	1	
19	F15_2	52226K110000	货箱衬管	BUSH	2	
20	F15_2	57044P090000	橡胶堵头	RUBBER PLUG	2	

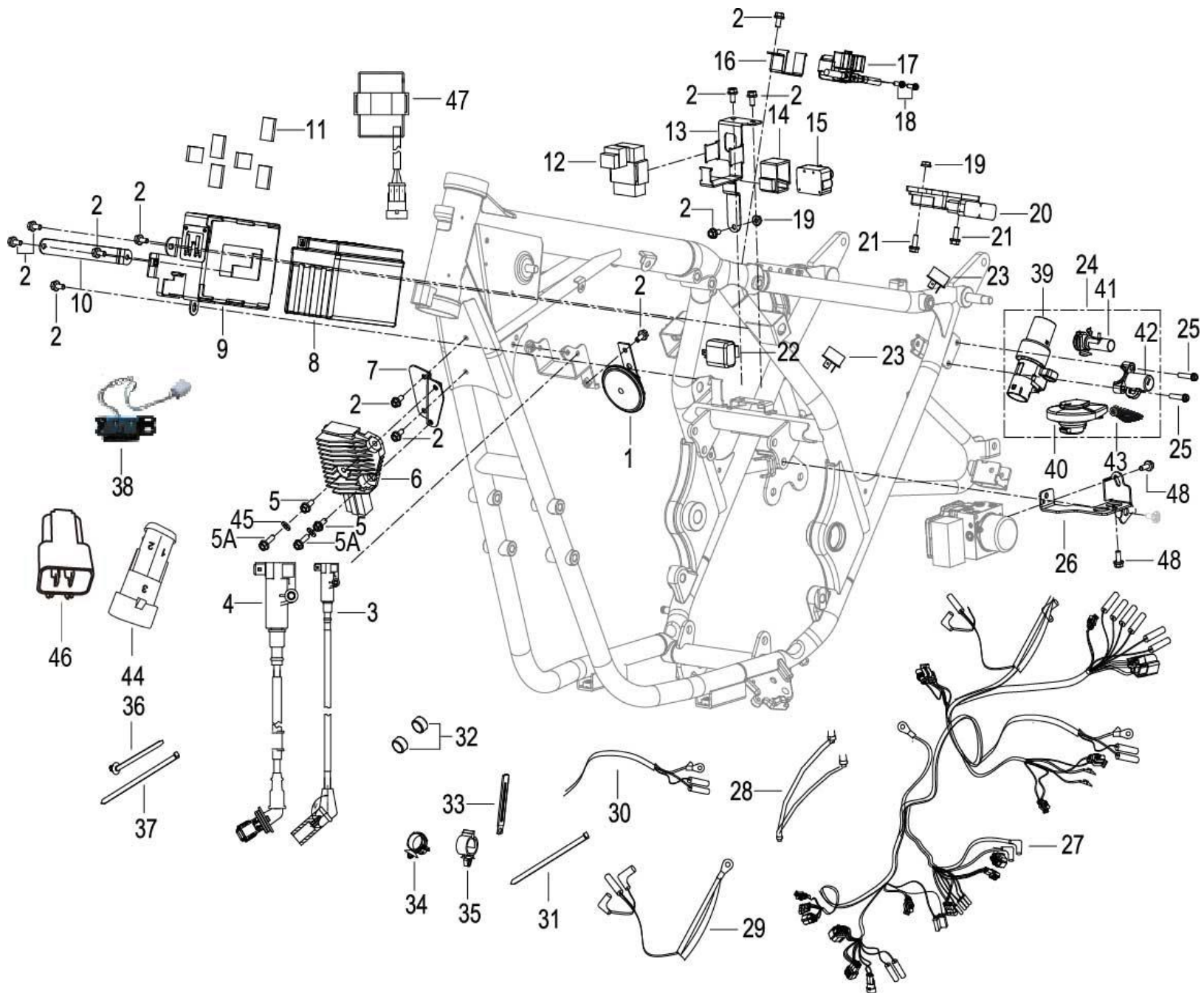
F16 灯具及仪表 LIGHT & SPEEDOMETER ASSY.



NO.	Position No.	CODE	CN DESCRIPTION	EN DESCRIPTION	Qty	NOTES
1	F16	70000P090004	仪表总成(公英里显示)	METER ASSY	1	
2	F16	65618J820000	护板橡胶垫	RUBBER PAD	2	
3	F16	14003S040010	散热器上衬套	UPPER RADIATOR COLLAR	2	
4	F16	40022P090000	离合器线线夹	CLUTCH WIRE CLIP	1	
5	F16	B0109060256H	螺栓M6x25	BOLT M6x25	2	

NO.	Position No.	CODE	CN DESCRIPTION	EN DESCRIPTION	Qty	NOTES
6	F16	57012P090000	油门线线夹	THROTTLE WIRE CLIP	1	
7	F16	B0109050166H	螺栓M5×16	BOLT M5×16	4	
8	F16	80000P09B200	前照灯(珍珠黑B2)	HEADLIGHT, BLACK B2	1	
9	F16	08510P090100	左大灯支架焊接组件	HEADLIGHT LEFT BRACKET	1	
9	F16	08510P090101	左大灯支架焊接组件	HEADLIGHT LEFT BRACKET	1	start vin ZBNP09002NBD42903
10	F16	08345P090000	减震保护垫	PROTECT CUSHION	2	
11	F16	08331P090000	橡皮垫	RUBBER MAD	4	
12	F16	08335P090001	大灯支架端盖	HEAD LIGHT BRACKET COVER	4	
12	F16	08335P090002	大灯支架端盖	HEAD LIGHT BRACKET COVER	4	start vin ZBNP09014MBC58234
13	F16	B0109080456H	六角法兰面螺栓M8×45	BOLT M8×45	2	
14	F16	81100P090000	前左转向灯	FRONT LEFT TURN SIGNAL LIGHT	1	
15	F16	08520P090100	右大灯支架焊接组件	HEADLIGHT RIGHT BRACKET	1	
15	F16	08520P090101	右大灯支架焊接组件	HEADLIGHT RIGHT BRACKET	1	start vin ZBNP09002NBD42903
16	F16	81300P090000	前右转向灯	FRONT RIGHT TURN SIGNAL LIGHT	1	
17	F16	B240103200F0	12V35/35W三角盘卤钨	BULB 12V35/35W	1	
18	F16	B240131200F0	12V5W楔形	BULB 12V5W	1	
19	F16	B240121200F0	12V10W灯泡	BULB 12V10W	2	
20	F16	80016P09B200	前照灯后壳体(珍珠黑B2)	HEADLIGHT REAR COVER	1	
21	F16	80002P090000	前照灯灯罩	HEADLIGHT COVER	1	
22	F16	80008G530000	前照灯灯框(ST16)	HEAD LIGHT RIM	1	

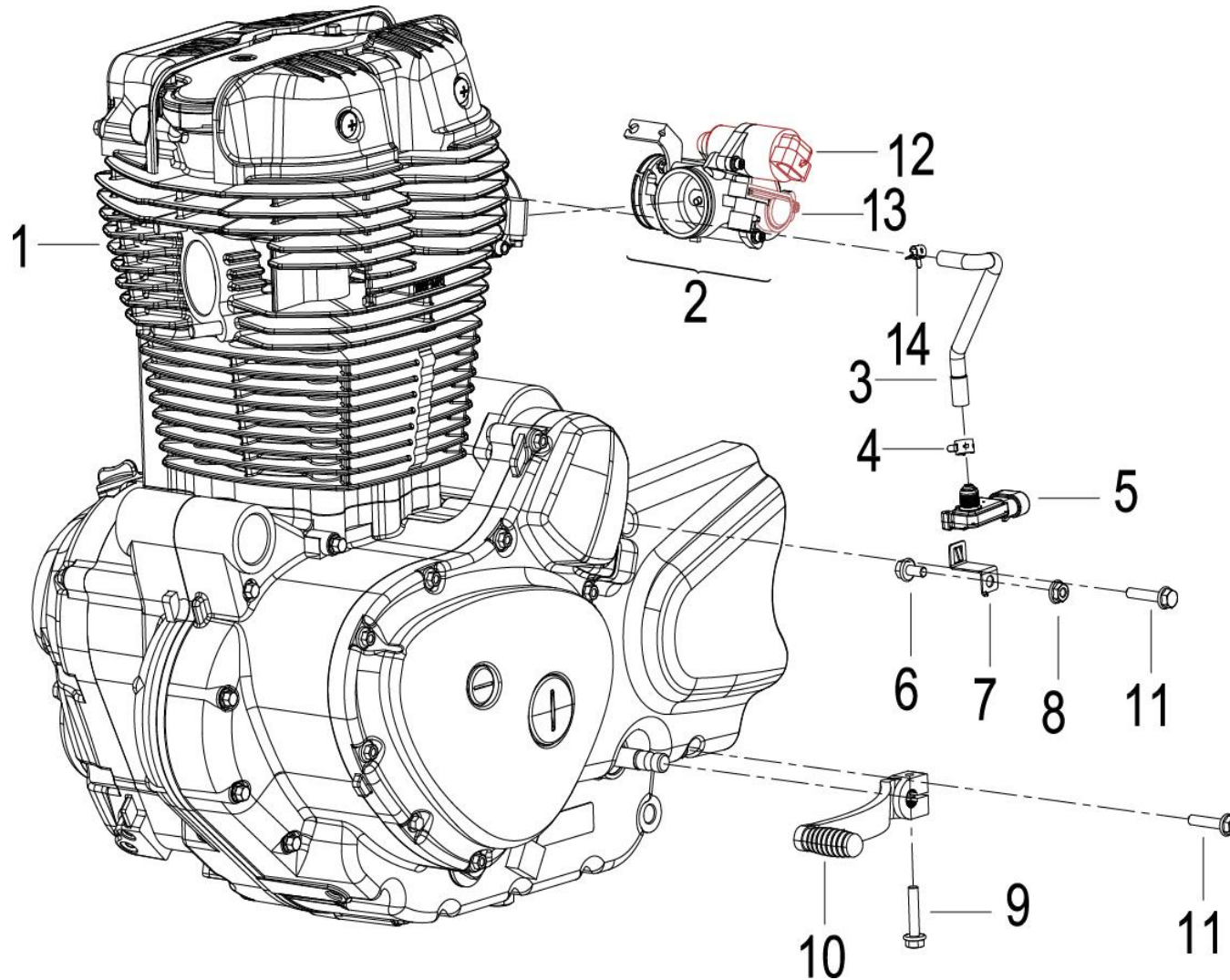
F17 电器 ELECTRICAL EQUIPMENT ASSY.



NO.	Position No.	CODE	CN DESCRIPTION	EN DESCRIPTION	Qty	NOTES
1	F17	95100T750000	喇叭	HORN	1	
2	F17	B0109060126H	六角头法兰面螺栓M6×12	BOLT M6×12	1	
3	F17	96200P090000	高压包线束120°	IGNITION COIL	1	
4	F17	96200P090001	高压包线束180°	IGNITION COIL	1	
5A	F17	B0109060256H	六角头法兰面螺栓M6×25	BOLT M6×25	2	
6	F17	299064540000	整流器	RECTIFIER	1	fixing bolts' length are 25mm
7	F17	58790P090001	整流器安装座	RECTIFIER PLATE	1	fixing bolts' length are 25mm
8	F17	AC-YTX9-BS(HW)	蓄电池	BATTERY YTX9-BS (HW)	1	
9	F17	58750P090000	电瓶支架组件	BATTERY BRACKET	1	
10	F17	58752P090000	电瓶支架压板	BRACKET PLATE	1	
11	F17	58752J00000A	蓄电池海绵垫	BATTERY SPONGE CUSHION	8	
12	F17	94400N140000	大灯继电器控制器	HEADLIGHT RELAY CONTROLLER	1	
13	F17	59450P090000	防侧翻开关安装座	MOUNTING BRACKET	1	
14	F17	98901S010000	传感器橡胶	SENSOR RUBBER PAD	1	
15	F17	91210P270000	侧翻开关	ROLL OVER SENSOR	1	
16	F17	59420P090000	继电器安装板组件	STARTER RELAY MOUNTING PLATE	1	
17	F17	94000S010000	启动继电器	STARTER RELAY	1	
18	F17	B02810501462	螺栓M5×0.8×14	SCREW M5×0.8×14	2	
19	F17	B0407060005H	六角法兰面螺母M6	NUT M6	2	
20	F17	96C00P100P01	ECU	ECU	1	
21	F17	B01090601665	六角法兰面螺栓M6×16	BOLT M6×16	2	
22	F17	96400J670000	闪光器	FLASHER	1	
23	F17	96700K060000	启动二极管	START DIODE	1	
24	F17	88000P090000	套锁	LOCK ASSY	1	
25	F17	B02810602562	螺钉M6×25-8.8-ZG	SCREW M6×25-8	2	
26	F17	58660P090000	ABS安装座	ABS MOUNTING PLATE	1	
27	F17	92000P090002	电缆总成	MAIN WIRE HARNESS	1	
27	F17	92000P090009	电缆总成	MAIN WIRE HARNESS,WITH CAPACITOR COUPLER 38	1	for vehicle with capacitance

NO.	Position No.	CODE	CN DESCRIPTION	EN DESCRIPTION	Qty	NOTES
28	F17	92200P090000	电源线	POWER CABLE	1	
29	F17	92300P090000	马达线	STARTER MOTOR LEAD	1	
30	F17	92500P090000	搭铁线	EARTH WIRE	1	
31	F17	40098B450000	绑扎带	BAND 3x150	3	
32	F17	96003P250000	软线夹	RUBBER CLIP	2	
33	F17	58430J000000	线夹组件	CLIP ASSY	3	
34	F17	65833P160000	管夹EG-26	CLIP	2	
35	F17	65836P160000	管夹0-435	CLIP	2	
36	F17	96001P360000	螺纹绑带	BAND	6	
37	F17	96002J000000	绑带200MM	BAND 200MM	2	
39	F17	88100P090000	电源锁	POWER LOCK	1	
40	F17	88400P090000	油箱锁	FUEL TANK LOCK	1	
41	F17	88800P090000	座垫锁	SEAT LOCK	1	
42	F17	88700P090000	头盔锁	HELMET LOCK	1	
43	F17	88900P13090X	钥匙毛坯	KEY NUT	1	
44	F17	92058P060000	ABS开关对插件	ABS SWITCH SOCKET	1	
45	F17	B0703000060H	垫圈6	WASHER Φ6	2	
47	F17	92150P090000	电容组件	CAPACITANCE	1	

F18 发动机及附件 ENGINE AND ATTACHMENT ASSY.

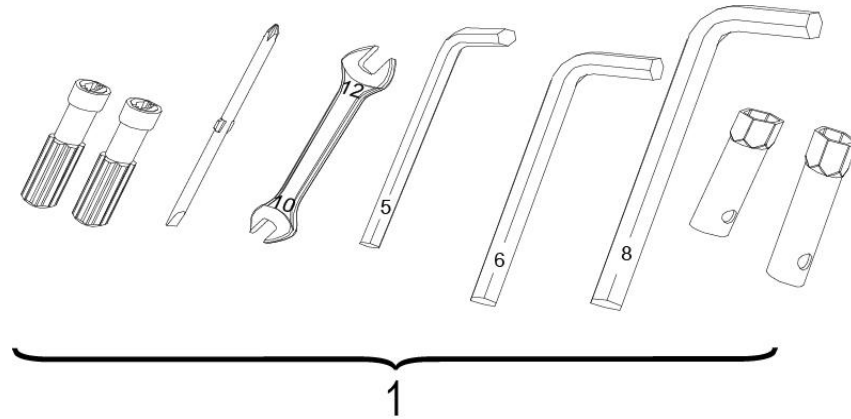


NO.	Position No.	CODE	CN DESCRIPTION	EN DESCRIPTION	Qty	NOTES
1	F18	C2637008B400	发动机	ENGINE ASSY	1	Q19-12 Malaysia market
2	F18	289005150020	节流阀体分总成	THROTTLE BODY ASSY	1	
3	F18	28014P090000	MAP管	MAP PIPE	1	
4	F18	50307J140302	板式卡箍	PLATE CLAMP	1	
5	F18	280106220000	进气压力传感器	INTAKE PRESSURE SENSOR	1	

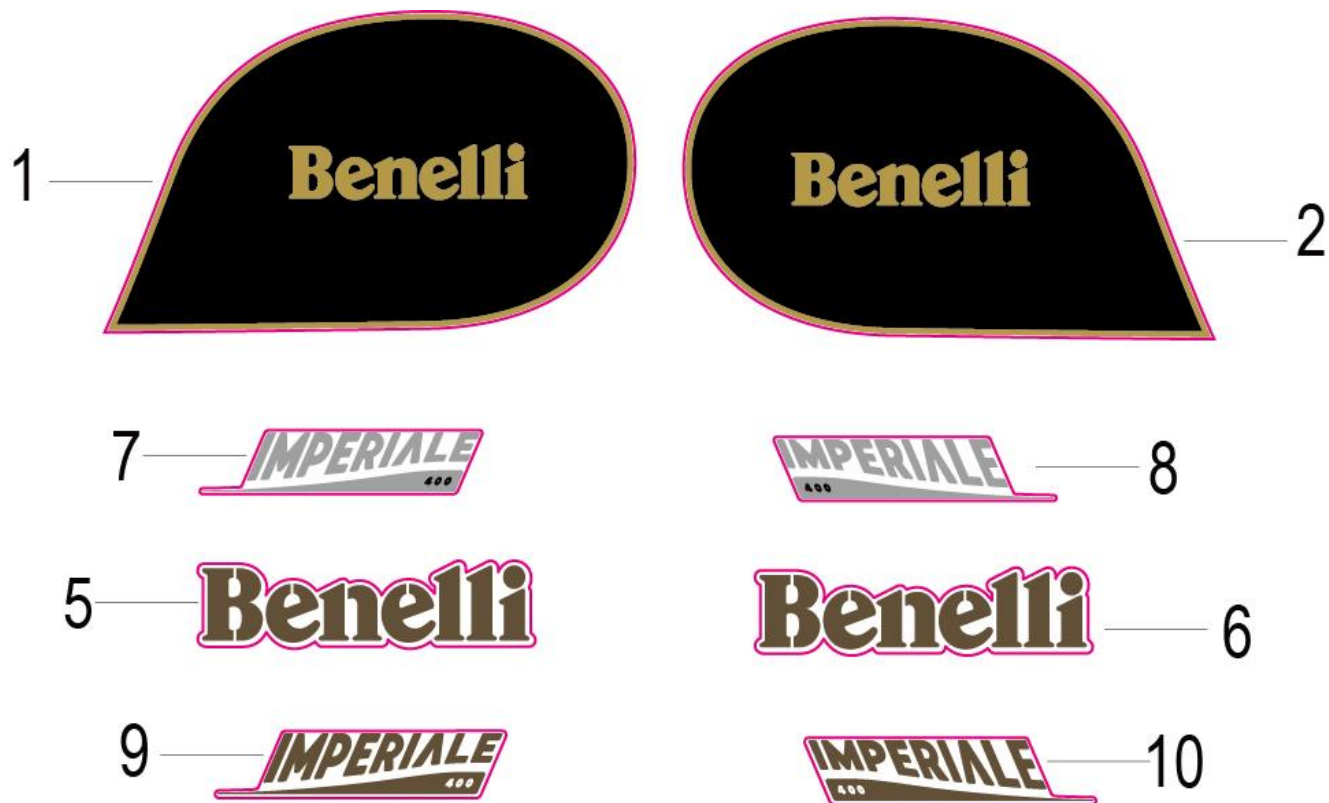


NO.	Position No.	CODE	CN DESCRIPTION	EN DESCRIPTION	Qty	NOTES
6	F18	B0109060126H	六角头法兰面螺栓M6×12	BOLT M6×12	1	
7	F18	96911P090000	进气压力传感器支架	INTAKE PRESSURE SENSOR BRACKET	1	
8	F18	B0407060005H	六角法兰面螺母M6	NUT M6	1	
9	F18	B0109060256H	六角头法兰面螺栓M6×25	BOLT M6×25	1	
10	F18	08380P090000	变档杆组件	SHIFT PEDAL	1	
11	F18	B0107060256H	六角头法兰面螺栓M6×25	BOLT M6X25	2	
12	F18	280476030010	步进电机	STEPPER MOTOR	1	
13	F18	280756030001	节气门位置传感器	THROTTLE POSITION SENSOR	1	
14	F18	49016B350010	板式卡箍φ8.5×8×0.6	PLATE CLAMP φ8.5×8×0.6	1	

F19 随车工具 TOOL KIT ASSY.

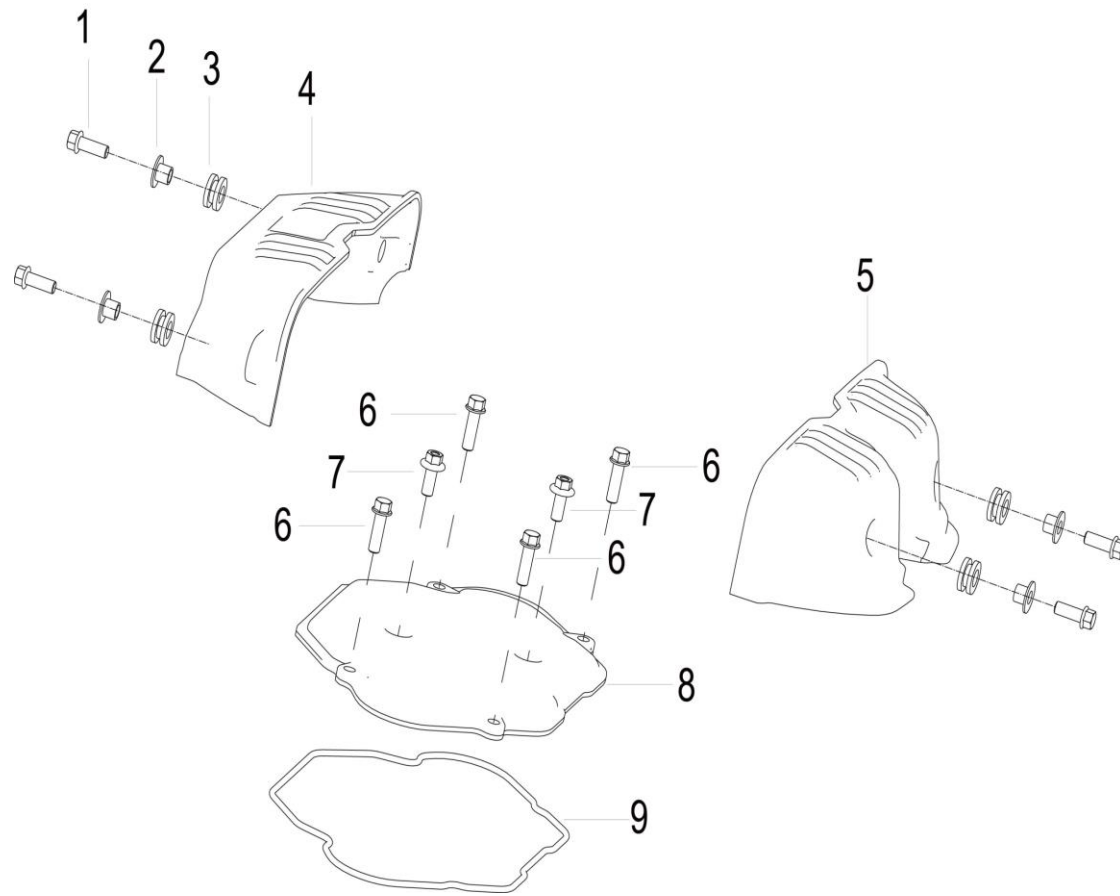


NO.	Position No.	CODE	CN DESCRIPTION	EN DESCRIPTION	Qty	NOTES
1	F19	02100P090000	随车工具	TOOK KIT	1	



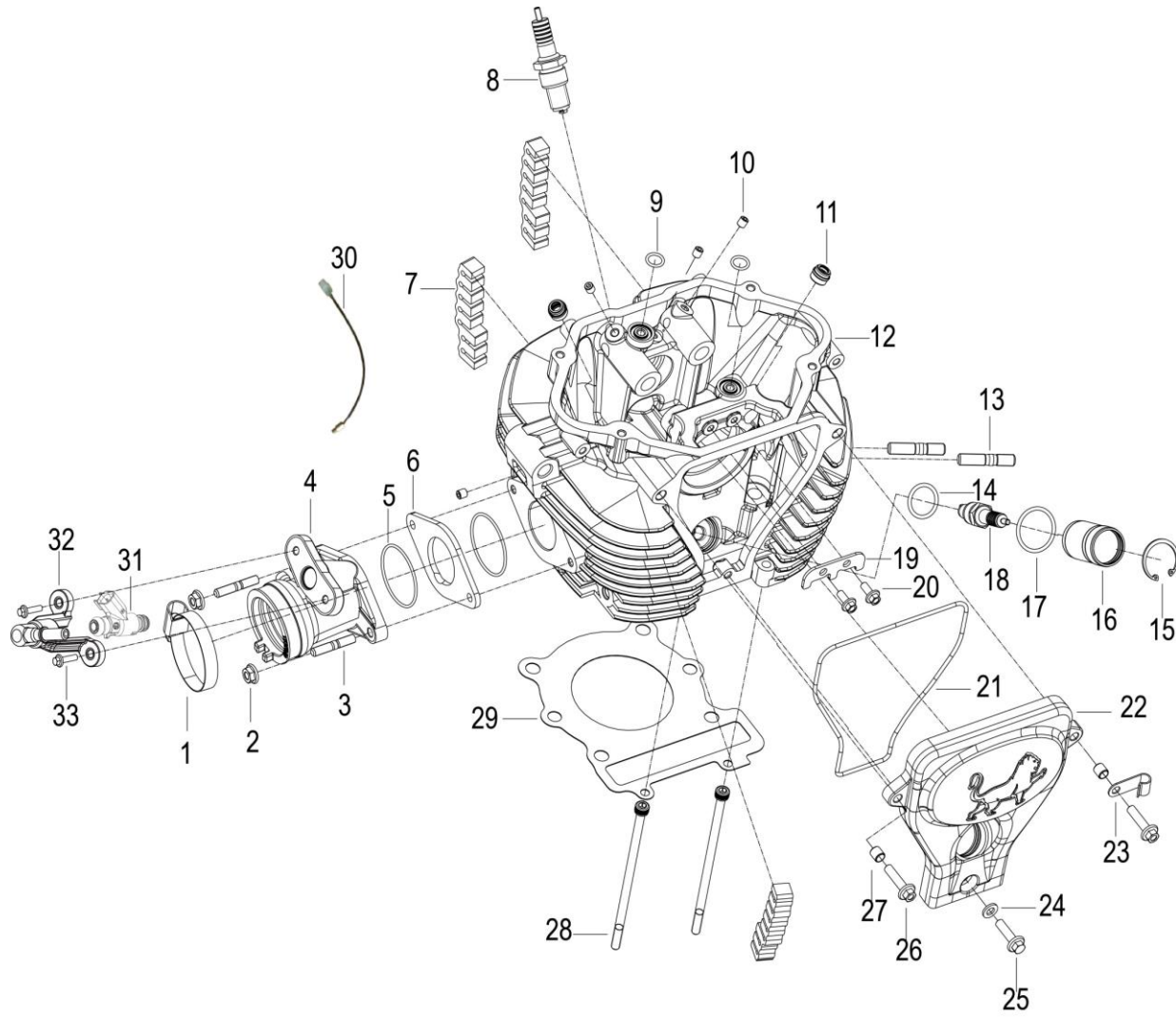
NO.	Position No.	CODE	CN DESCRIPTION	EN DESCRIPTION	Qty	NOTES
1	F20	05532P09B200	油箱右贴花	RIGHT STICKER,FUEL TANK	1	CJ-B2-TT
2	F20	05531P09B200	油箱左贴花	LEFT STICKER,FUEL TANK	1	CJ-B2-TT
7	F20	05512P09TT00	右护板贴花	RIGHT STICKER,SIDE COVER	1	CJ-B2-TT
8	F20	05511P09TT00	左护板贴花	LEFT STICKER,SIDE COVER	1	CJ-B2-TT

E01 CYLINDER HEAD(气缸盖罩分总成)



NO.	Position No.	CODE	CN DESCRIPTION	EN DESCRIPTION	Qty	NOTES
1	E01	B0107060166H	螺栓M6×16	BOLT M6×16	4	
2	E01	100253090010	筒形垫圈	BARREL-TYPE LINER	4	
3	E01	100223090000	缓冲垫	PLUG BLOCK	4	
4	E01	109166360000	右缸盖罩装饰盖	RIGHT CYLINDER HEAD COVER DECORATIVE COVER	1	
5	E01	109116360000	左缸盖罩装饰盖	LEFT CYLINDER HEAD COVER DECORATIVE COVER	1	
6	E01	B0107060206H	六角法兰面螺栓M6×20	BOLT M6×20	4	
7	E01	B0107060146H	螺栓M6×14	BOLT M6×14	2	
8	E01	10901637B401	缸盖罩(哑光黑)	CYLINDER HEAD COVER,MATT BLACK	1	
9	E01	109026360000	缸盖罩密封圈	SEAL RING,CYLINDER HEAD COVER	1	

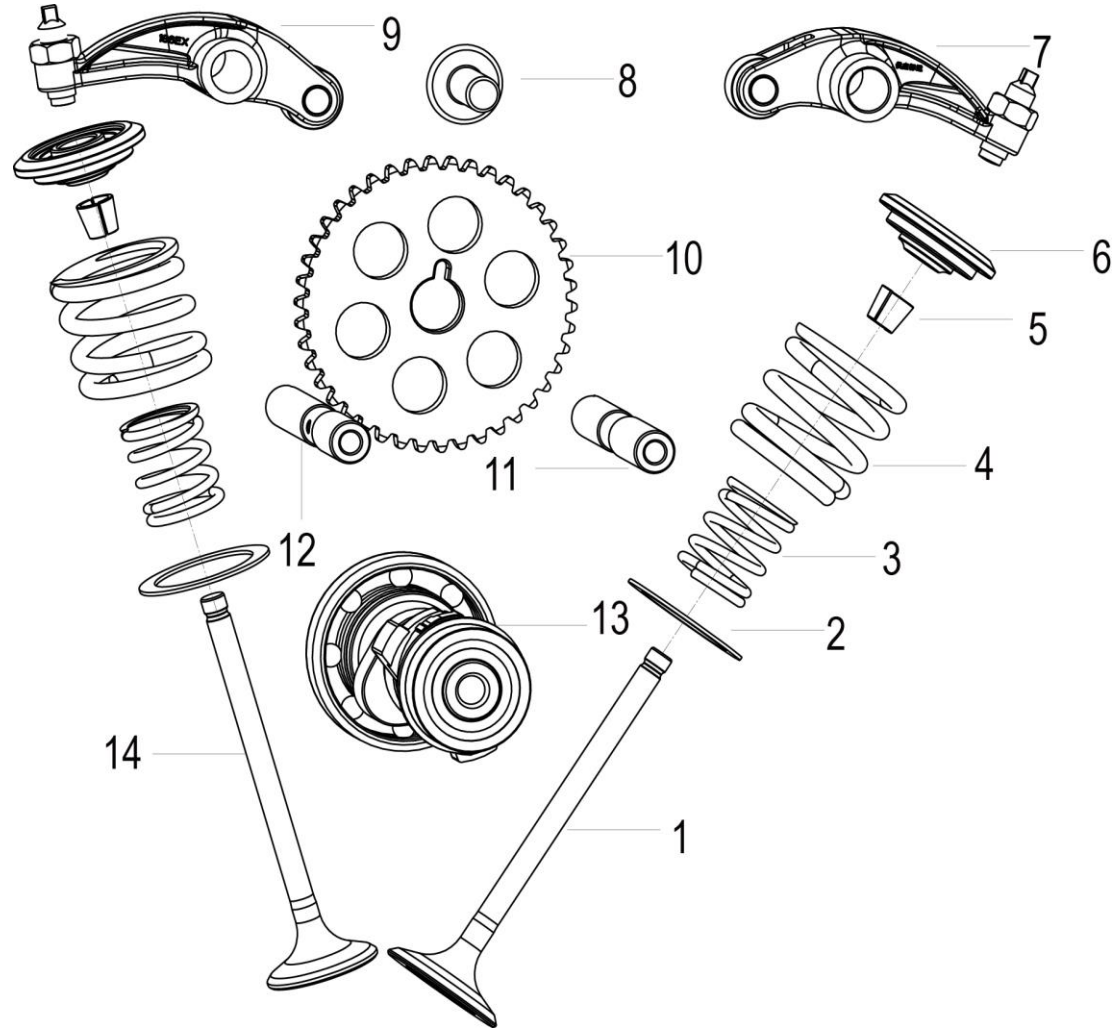
E02 CYLINDER COVER ASSY(气缸盖分总成)



NO.	Position No.	CODE	CN DESCRIPTION	EN DESCRIPTION	Qty	NOTES
1	E02	280426030000	卡箍组件	CLIP ASSY	1	
2	E02	B0407060005H	螺母6	NUT M6	2	
3	E02	120043070060	双头螺柱M6×35	STUD BOLT M6x35	2	
4	E02	109276370000	进气管组件	INLET PIPE ASSY	1	
5	E02	B190104250A0	O型圈42.5×1.8	O RING 42.5x1.8	2	
6	E02	109266370000	隔热垫	PAPER PAD HEAT INSULATION BODY	1	
7	E02	109106370000	减震块	BUMPER BLOCK	3	
8	E02	299072090020	火花塞	SPARK PLUG	1	
9	E02	150056090100	锥形塞	TAPER STOPPER	4	
10	E02	B190101000A0	O型密封圈	O RING	2	
11	E02	109346360000	气门油封组件	VALVE SEAL ASSY	2	
12	E02	10905637B401	气缸盖机加工组件(哑光黑)	CYLINDER HEAD,MATT BLACK	1	
13	E02	10004609001X	短双头螺柱	SHORT STUD BOLTS	2	
14	E02	150283070000	O型密封圈20×2.5	O RING 20x2.5	1	
15	E02	B08000002800	挡圈28	RING 28	1	
16	E02	100046360000	火花塞套	SPARK PLUG COVER	1	
17	E02	120202140000	O型密封圈27.4×2.4F	O RING 27.4x2.4F	1	
18	E02	299073050010	火花塞NGK	SPARK PLUG	1	
19	E02	109136360000	压板	PRESS PLATE	1	
20	E02	B0107050126H	螺栓M5×12	BOLT M5x12	2	
21	E02	109146360000	链轮盖O型圈	SEAL RING, CHAIN WHEEL COVER	1	
22	E02	10915637B401	链轮盖(哑光黑)	CHAIN WHEEL COVER,MATT BLACK	1	
23	E02	100513070020	线夹	CLAMP	1	
24	E02	150013070000	垫圈φ6	WASHER Φ6	1	
25	E02	B0107060226H	螺栓M6×22	BOLT M6x22	1	
26	E02	B0107060256H	螺栓M6×25	BOLT M6x25	2	

NO.	Position No.	CODE	CN DESCRIPTION	EN DESCRIPTION	Qty	NOTES
27	E02	200086030000	定位销Φ8×8	PIN Φ8X8	2	
28	E02	B02050613464	内六角螺钉M6x134	SCREW M6X134	2	
29	E02	109076370000	气缸盖垫片	CYLINDER HEAD GASKET	1	
30	E02	280013320000	温度传感器	TEMPRETURE SENSOR	1	
31	E02	289035110010	喷油器	FUEL INJECTOR	1	
32	E02	289046360000	喷油器座组件	FUEL INJECTOR SEAT	1	
33	E02	B0107050126H	螺栓M5x12	BOLT M5x12	2	

E03 VALVE MECHANISM SUB-ASSEMBLY(配气机构分总成)

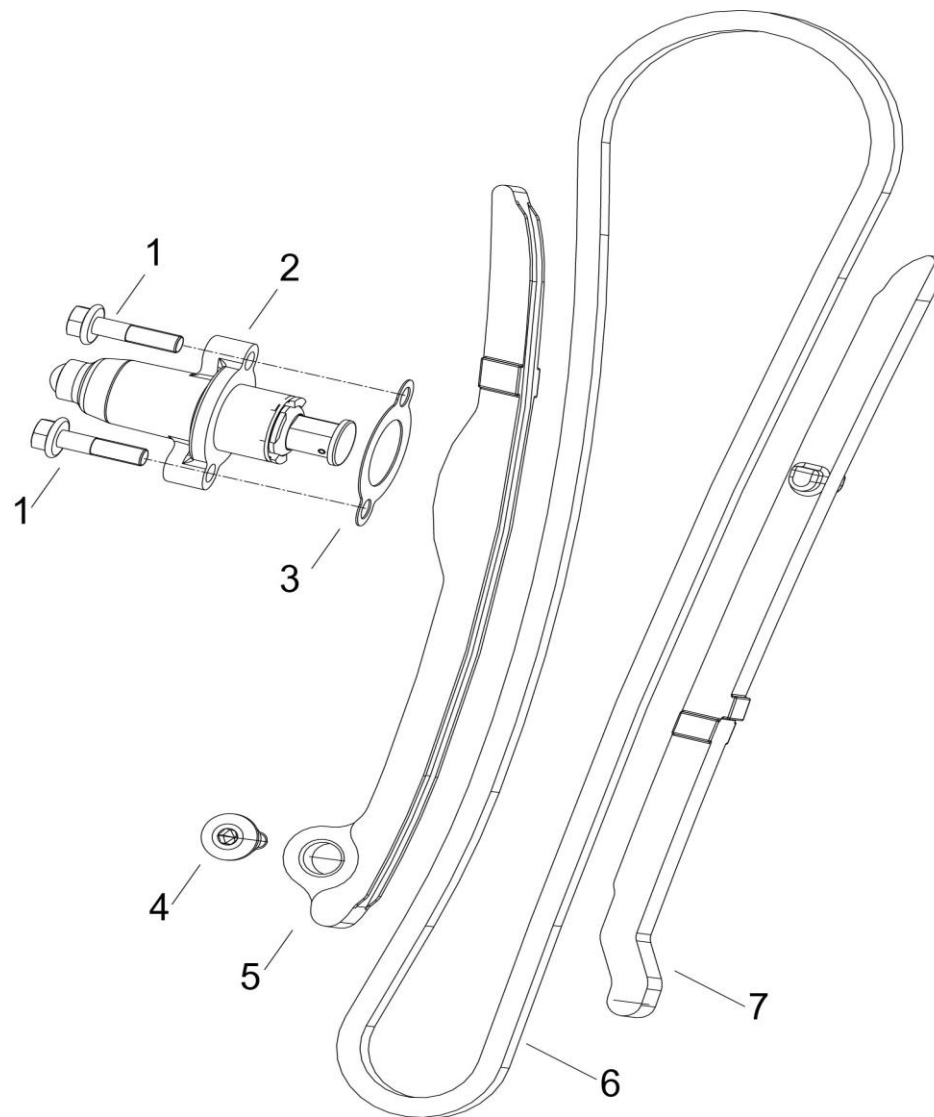


NO.	Position No.	CODE	CN DESCRIPTION	EN DESCRIPTION	Qty	NOTES
1	E03	129186370000	进气门	VALVE,INTAKE	1	
2	E03	129216360000	气门弹簧下座	VALVE SPRING SEAT	2	
3	E03	129256370000	气门内弹簧	SPRING,VALVE,INNER	2	
4	E03	129266370000	气门外弹簧	VALVE SPRING,OUTER	2	
5	E03	129226360000	气门锁夹	SPLIT CONE,VALVE	4	



NO.	Position No.	CODE	CN DESCRIPTION	EN DESCRIPTION	Qty	NOTES
6	E03	129336360000	气门弹簧上座	VALVE SPRING PLATE	2	
7	E03	129346360000	进气摇臂组件	INTAKE VALVE ROCKER ARM	1	
8	E03	B0107100256H	螺栓M10×25	BOLT M10x25	1	
9	E03	129356360000	排气摇臂组件	EXHAUST VALVE ROCKER ARM	1	
10	E03	129036360000	凸轮轴链轮	CHAIN WHEEL,CAMSHAFT	1	
11	E03	129166360000	进气摇臂轴	ROCKER SHAFT,INTAKE	1	
12	E03	129176360000	排气摇臂轴	ROCKER SHAFT,EXHAUST	1	
13	E03	129096370000	凸轮轴组件	CAMSHAFT ASSY	1	
14	E03	129196370000	排气门	VALVE,EXHAUST	1	

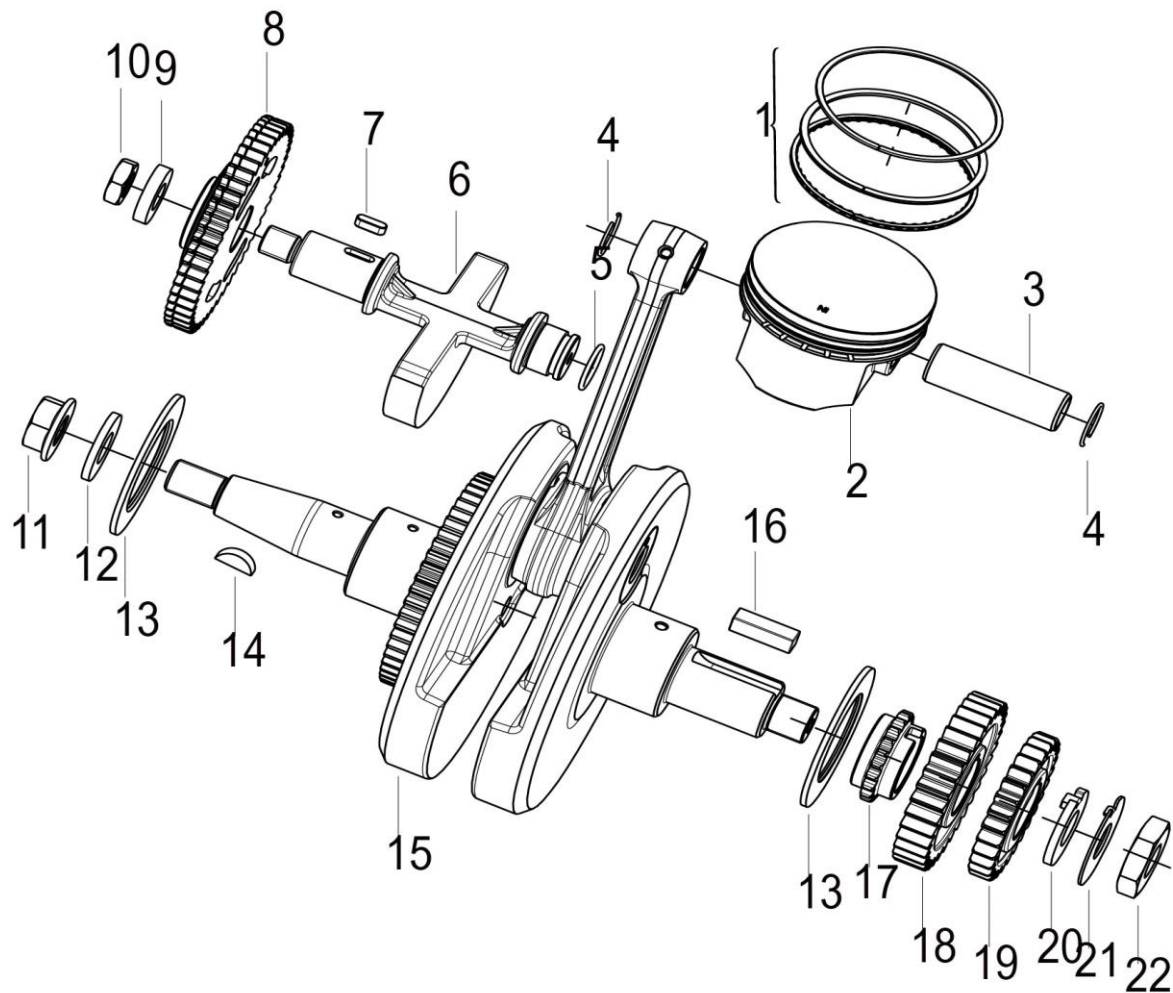
E04 STRAINER UNIT ASSEMBLY(正时传动机构分总成)



NO.	Position No.	CODE	CN DESCRIPTION	EN DESCRIPTION	Qty	NOTES
1	E04	B0107060256H	螺栓M6×25	BOLT M6x25	2	
2	E04	149035150030	分气链条调整器(哑光黑)	CAMSHAFT CHAIN TENSIONER,MATT BLACK	1	
3	E04	140176030000	垫片	WASHER	1	

NO.	Position No.	CODE	CN DESCRIPTION	EN DESCRIPTION	Qty	NOTES
4	E04	140064320000	主导链板螺钉	TIMING CHAIN GUIDE(INTAKE SIDE) BOLT	1	
5	E04	149016360000	主导链板组件	TIMING CHAIN GUIDE(INTAKE SIDE)	1	
6	E04	149046360000	正时链条	TIMING CHAIN	1	
7	E04	149026360000	副导链板组件	TIMING CHAIN GUIDE(EXHAUST SIDE)	1	

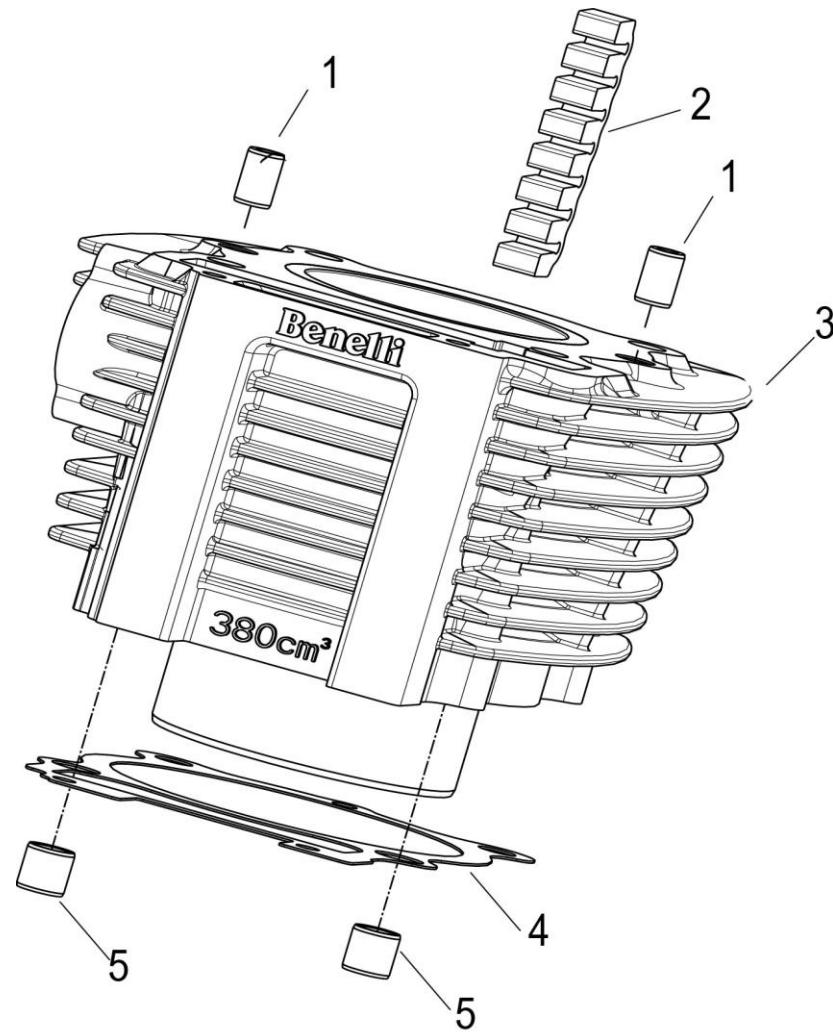
E05 PISTON,CONNECTING ROD & CRANKSHAFT ASSY(活塞连杆曲轴平衡轴分总成)



NO.	Position No.	CODE	CN DESCRIPTION	EN DESCRIPTION	Qty	NOTES
1	E05	179366370000	活塞环组件	PISTON RING ASSY	1	
2	E05	179136370000	活塞	PISTON	1	
3	E05	179146370000	活塞销	PIN,PISTON	1	
4	E05	179155050000	活塞销挡圈	CIRCLIP PISTON PIN	2	
5	E05	B190101700A0	O型密封圈1.8x17	O-RING 1.8X17	1	

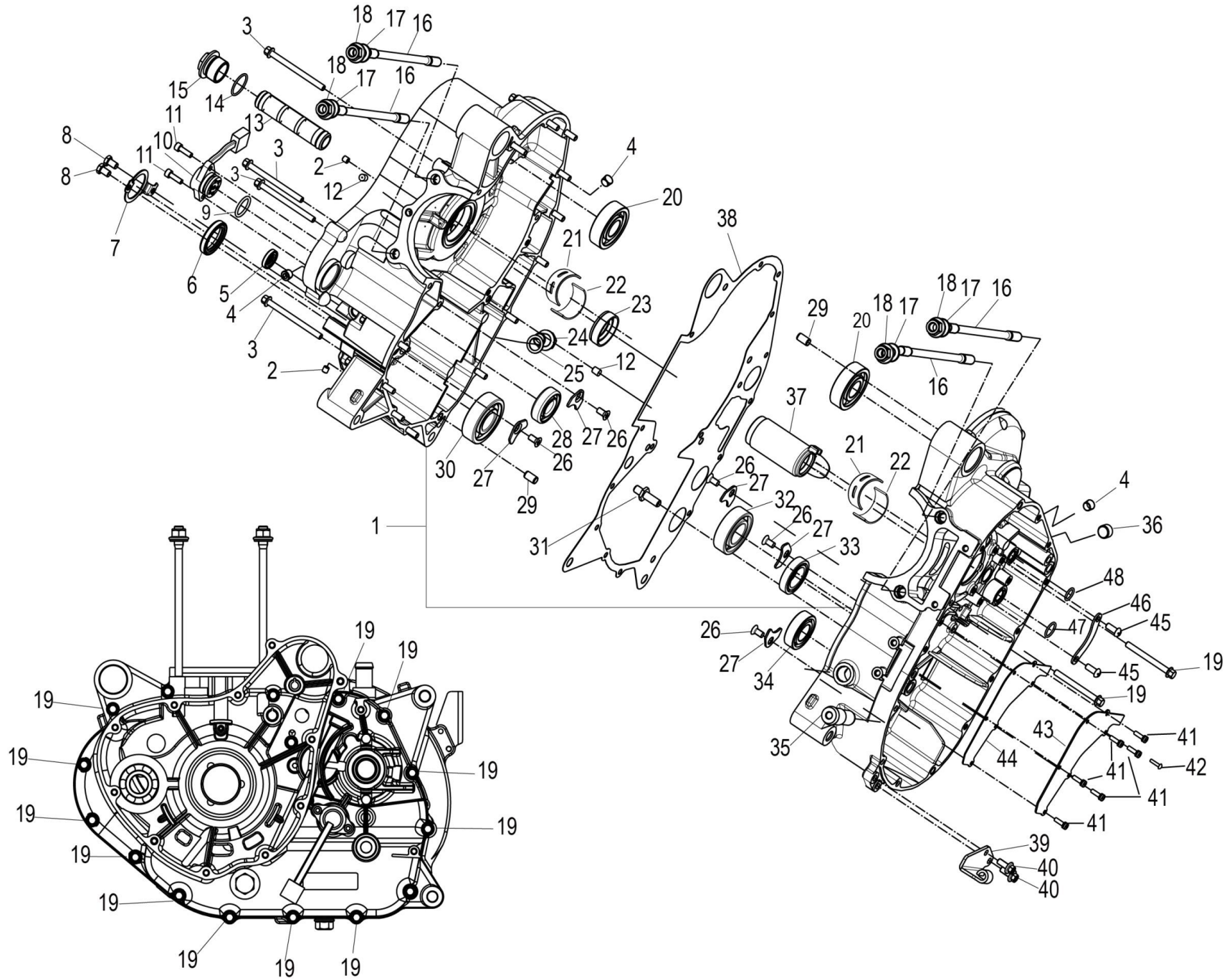
NO.	Position No.	CODE	CN DESCRIPTION	EN DESCRIPTION	Qty	NOTES
6	E05	179256370000	平衡轴	BALANCE SHAFT	1	
7	E05	B11120404012	平键	KEY	1	
8	E05	179406360000	平衡轴齿轮组件	BALANCE SHAFT GEAR ASSY	1	
9	E05	170066110000	垫片	WASHER	1	
10	E05	160103420100	螺母M12x1.25	NUT M12x1.25	1	
11	E05	170044320000	六角法兰面螺母 M14×1	NUT M14x1	1	
12	E05	170106030010	飞轮垫圈	WASHER	1	
13	E05	170026360000	垫片	WASHER	2	
14	E05	170065050000	键	KEY	1	
15	E05	1790163700KW	曲轴连杆组件(M14×1)	CRANKSHAFT ASSY,M14x1	1	
16	E05	B11130080025	平键8x7x25	KEY 8x7x25	1	
17	E05	179336360000	齿形链轮	TOOTHED SPROCKET	1	
18	E05	179316360000	离合器主动齿轮	CLUTCH GEAR	1	
19	E05	179326360000	机油泵主动齿轮	OIL PUMP GEAR	1	
20	E05	170035040000	垫片(II)	WASHER(II)	1	
21	E05	170025040000	垫片(I)	WASHER(I)	1	
22	E05	170015040110	曲轴紧定螺母M16×1	NUT M16x1	1	

E06 CYLINDER ASSY(气缸体分总成)



NO.	Position No.	CODE	CN DESCRIPTION	EN DESCRIPTION	Qty	NOTES
1	E06	150016090000	定位销6x10x16	DOWEL PIN 6x10x16	2	
2	E06	139056360000	减震块	BUMPER BLOCK	1	
3	E06	13901637B401	气缸体组件(哑光黑)	CYLINDER ASSY,MATT BLACK	1	
4	E06	139026360000	气缸体垫片	CYLINDER GASKET	1	
5	E06	170236090000	定位销10.5x13x13	DOWEL PIN 10.5x13x13	2	

E07 CRANKCASE ASSY(曲轴箱分总成)

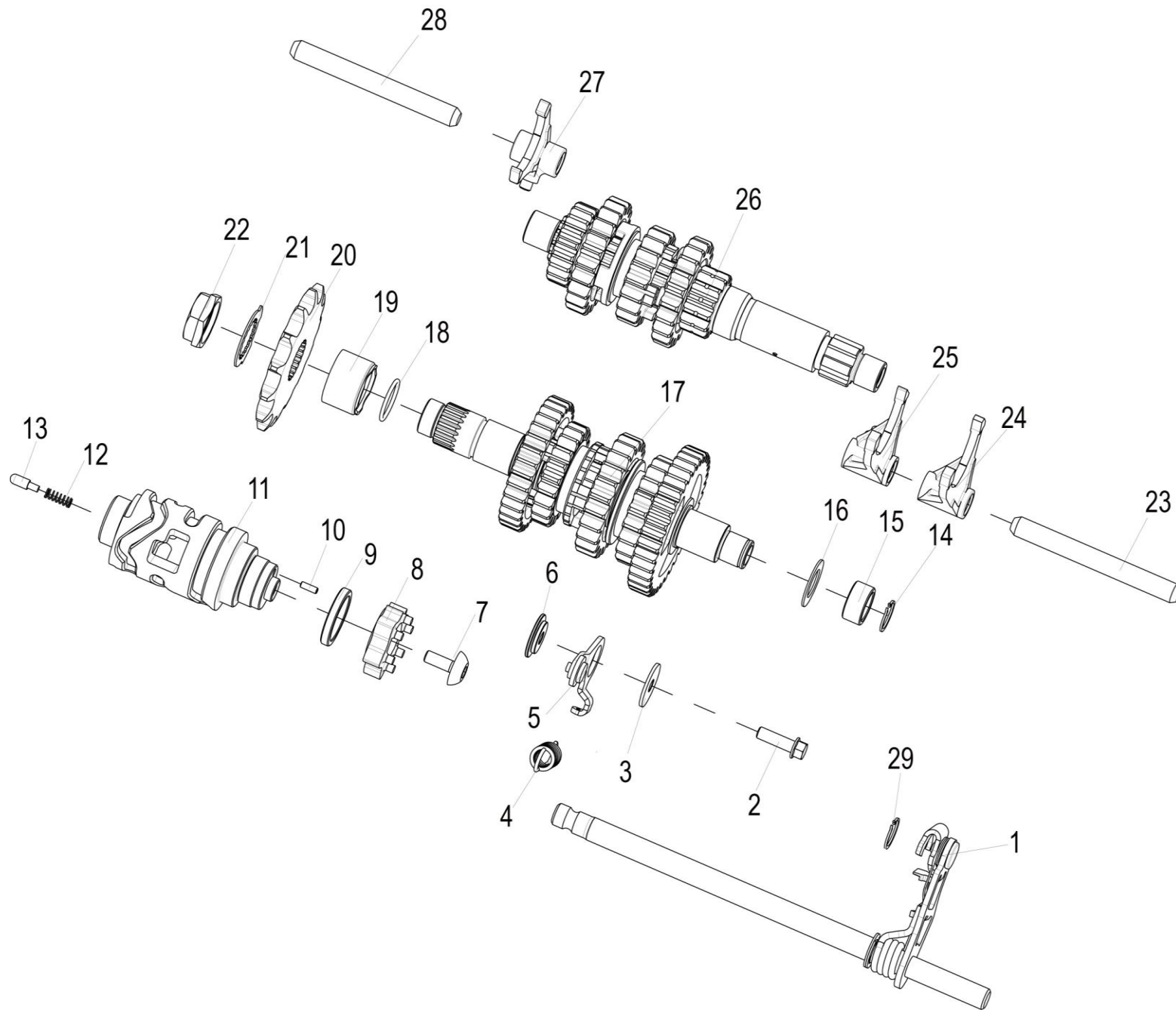


NO.	Position No.	CODE	CN DESCRIPTION	EN DESCRIPTION	Qty	NOTES
1	E07	15005637B401	曲轴箱机加工组件(哑光黑)	LEFT &RIGHT CRANKCASE ASSY,MATT BLACK	1	
1	E07	15005637B40A	曲轴箱机加工组件(哑光黑)	LEFT &RIGHT CRANKCASE ASSY,MATT BLACK	1	start vin ZBNP09001LBC44331
2	E07	150056090100	锥形塞	TAPER STOPPER	1	
3	E07	B0107060756H	螺栓 M6x75	BOLT M6X75	4	
4	E07	150166090010	锥形塞M10x1	TAPER STOPPER M10X1	3	
5	E07	150025040000	油封 I	OIL SEAL I	1	
6	E07	150235150000	油封	OIL SEAL	1	
7	E07	210093090000	油封盖	OIL SEAL COVER	1	
8	E07	B0103060106H	螺栓 M6x10	BOLT M6X10	2	
9	E07	B190102030B0	O型圈20.3x2.65	O RING 20.3X2.65	1	
10	E07	159124410000	档位传感器	GEARSHIFT SENSOR	1	
11	E07	B0205050166H	螺钉 M5x16	BOLT M5X16	2	
12	E07	159196360000	节流堵头	THROTTLE PLUG	2	
13	E07	159216360000	机油过滤器	OIL FILTER	1	
14	E07	B190102240A0	O型圈22.4x1.8	O RING 22.4x1.8	1	
15	E07	159256360000	机油过滤螺塞	PLUG SCREW	1	
16	E07	159106360000	双头螺栓	DOUBLE END STUDS	4	
17	E07	120096090000	垫片10.5x19.8x2	WASHER 10.5x19.8x2	4	
18	E07	B04821012552	自锁螺母M10×1.25	NUT M10x1.25	4	
19	E07	B0107060606H	螺栓 M6x60	BOLT M6x60	14	
20	E07	B12016030402	滚动轴承/GB/T276 深沟球轴承6304/P53 72	BEARING GB/T276 6304/P53 Z2	2	
21	E07	150056110000	轴瓦 I	BEARING BUSH I	2	
22	E07	150066110000	轴瓦 II	BEARING BUSH II	2	
23	E07	159076360000	橡胶垫	GROMMET	1	
24	E07	150045040H00	螺塞	SCREW	1	
25	E07	150035040000	密封垫圈	SEALING GASKET	1	
26	E07	B0201060126H	螺钉 M6x12	SCREW M6x12	5	



NO.	Position No.	CODE	CN DESCRIPTION	EN DESCRIPTION	Qty	NOTES
27	E07	150035150000	轴承压板 II	BEARING PRESS PLATE II	5	
28	E07	B12016020310	滚动轴承	BEARING	1	
29	E07	160073070000	定位销	DOWEL PIN	2	
30	E07	B12016632201	滚动轴承GB/T27663/22/RS/P6C0	BEARING GB/T27663/22/RS/P6C0	1	
31	E07	21010405002X	限位档钉	LIMIT BLOCK NAIL	1	
31	E07	159286360000	限位档钉	LIMIT BLOCK NAIL	1	
32	E07	B12016020507	滚动轴承/GB/T276 深沟球轴承6205/P6	BEARING /GB/T276 6205/P6	1	start vin ZBNP09001LBC44331
33	E07	B12016000405	滚动轴承/GB/T276 深沟球轴承6004/P6	BEARING GB/T276 6004/P6	1	
34	E07	B12016190503	滚动轴承GB/T276 (61905/C3)	BEARING GB/T276(61905/C3)	1	
35	E07	159136360000	通气管	HOSE,BREATHER	1	
36	E07	100066090100	锥形塞M14x1.5x10	TAPER STOPPER M14x1.5x10	1	
37	E07	159066360000	过滤器外壳	FILTER CASING	1	
38	E07	159016360000	合箱垫片	GASKET FITS BOX	1	
39	E07	159266360010	支架(镀黑锌)	BRACKET,BLACK	1	
40	E07	B0107060146H	螺栓 M6x14	BOLT M6x14	2	
41	E07	B1308040100H	组合螺钉 M4x10	SCREW WASHER M4x10	6	
42	E07	150126030100	铆钉φ3x13	RIVET φ3x13	1	
43	E07	159166360000	呼吸阀压板	BREATHER VALVE RETAINER	1	
44	E07	159116360000	呼吸阀纸垫	BREATHER VALVE GASKET	1	
45	E07	B0107060146H	螺栓 M6x14	BOLT M6x14	2	
46	E07	159276360000	挡链板	CAMSHAFT CHAIN GUIDE	1	
47	E07	B190101500A0	O型圈	O RING	1	
48	E07	B190101250A0	O型圈Φ12.5x1.8	O RING Φ12.5x1.8	1	

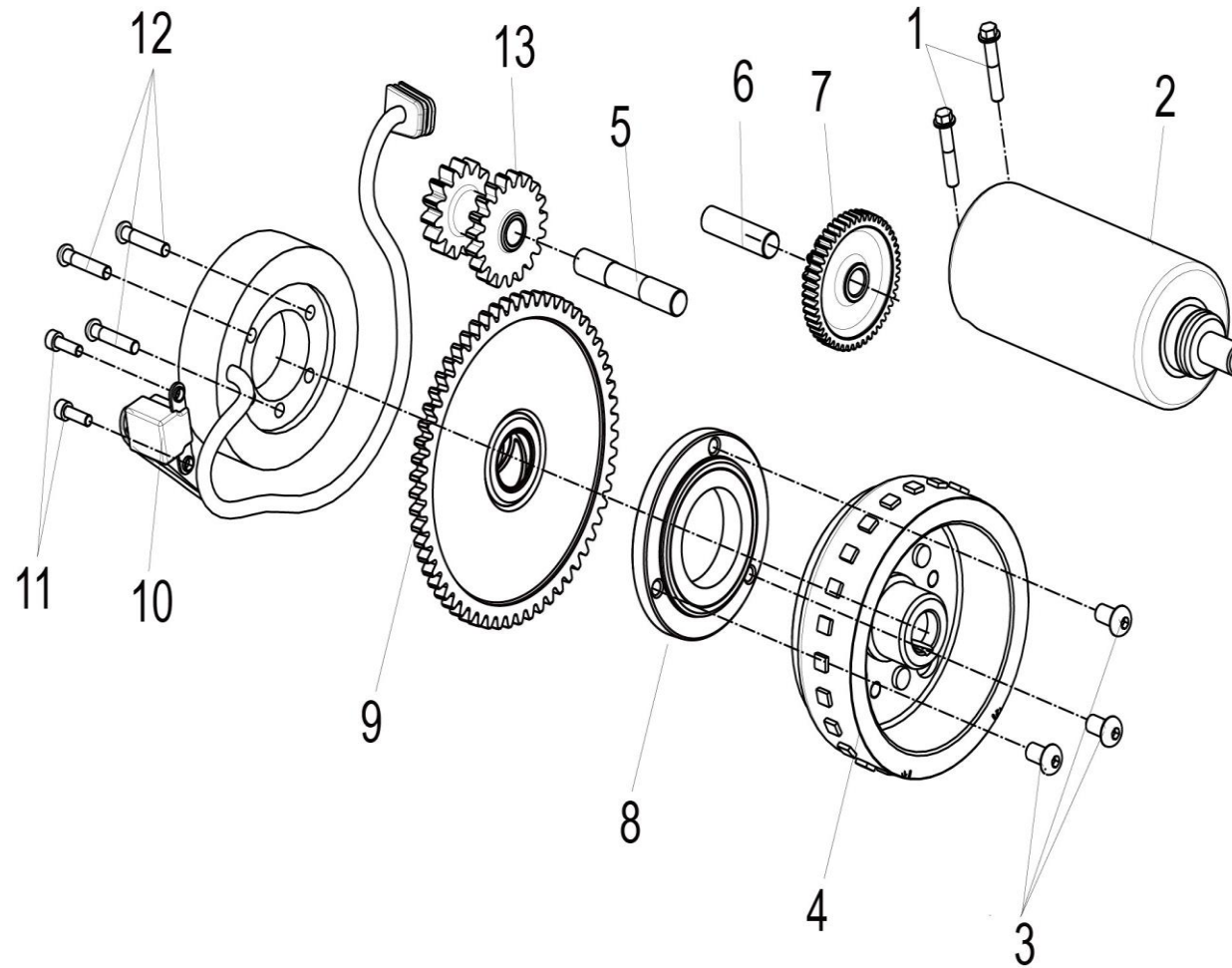
E08 GEAR SHIFT MECHANISM ASSEMBLY (变速换档机构分总成)



NO.	Position No.	CODE	CN DESCRIPTION	EN DESCRIPTION	Qty	NOTES
1	E08	219016360000	变档轴组件	SPINDLE COMP.,GEARSHIFT	1	
2	E08	B0107060206H	螺栓M6×20	BOLT M6x20	1	
3	E08	219344410000	垫圈	WASHER	1	
4	E08	219386360000	止动臂弹簧	STOPPER LEVER SPRING	1	
5	E08	210416030010	摇臂组件	STOPPER LEVER	1	
6	E08	219334410000	垫片	WASHER	1	
7	E08	210014410000	星轮螺钉	STAR WHEEL SCREW	1	
8	E08	210366030000	荆轮	SHIFT DRUM CAM	1	
9	E08	219336360000	轴套	SPACER	1	
10	E08	210356030000	定位销	DOWEL PIN	1	
11	E08	219056360000	变档鼓	SHIFT DRUM	1	
12	E08	210313090000	触头弹簧	PROD SPRING	1	
13	E08	210323090000	变档转换触头	SHIFT PROD	1	
14	E08	B080100015A0	轴用弹性挡圈 φ15	CIRCLIPS φ15	1	
15	E08	210034410000	轴套	SLEEVE	1	
16	E08	210133090000	止推垫圈	WASHER,THRUST	1	
17	E08	219216360000	副轴组合	COUNTERSHAFT ASSY	1	
18	E08	B190101900A0	O形密封圈	O RING	1	
19	E08	210425150000	输出链轮隔套	COLLAR	1	
20	E08	219326230000	链轮	DRIVE SPROCKET	1	
21	E08	210445150000	花键垫片	SPLINE WASHER	1	
22	E08	210455150100	螺母M18×1	NUT M18x1	1	
23	E08	219085040000	拨叉轴I	SHIFT FORK SHAFT I	1	
24	E08	219125040000	拨叉III	SHIFT FORK III	1	
25	E08	219105040000	拨叉I	SHIFT FORK I	1	
26	E08	219136360000	主轴组件	PRIMARY SHAFT ASSY	1	
27	E08	219116230000	拨叉II	SHIFT FORK II	1	

NO.	Position No.	CODE	CN DESCRIPTION	EN DESCRIPTION	Qty	NOTES
28	E08	219085040000	拨叉轴	SHIFT FORK SHAFT I	1	
29	E08	B080100015A1	轴用挡圈15	CIRCLIP 15	1	

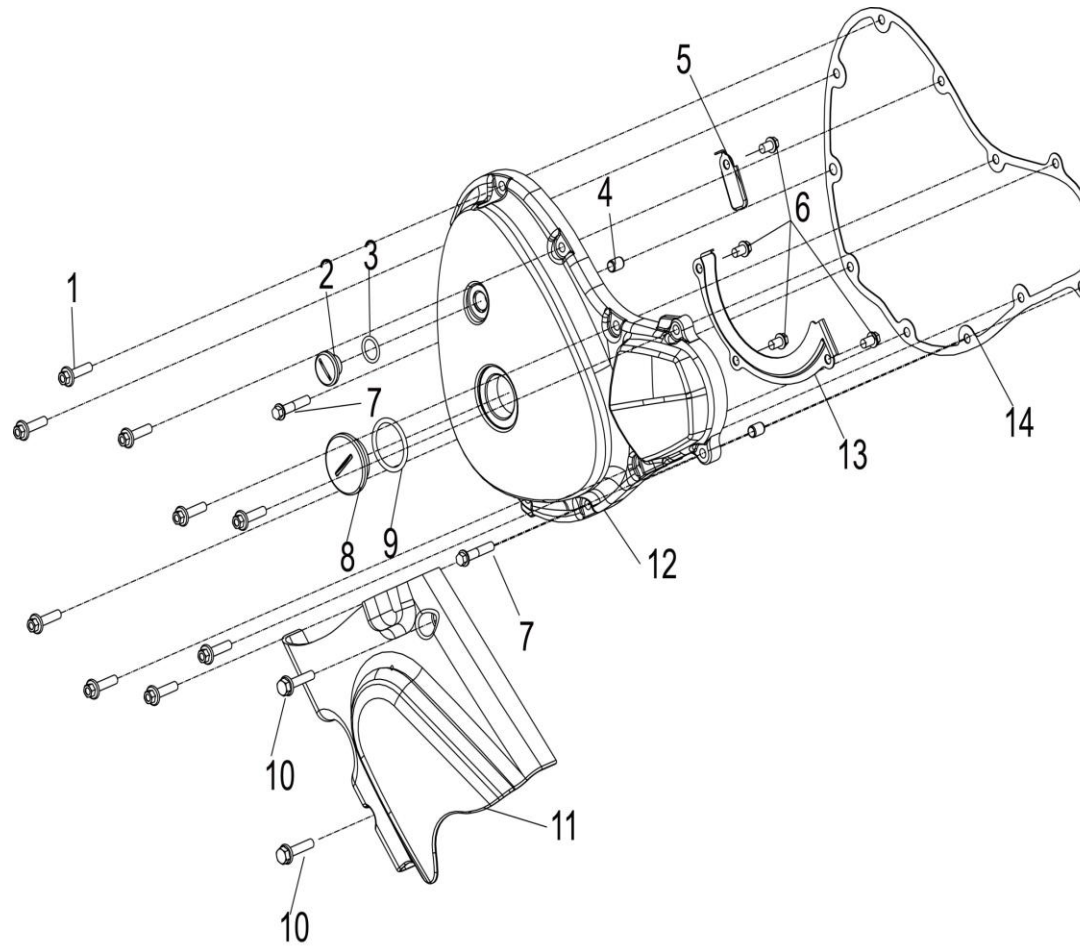
E09 ELECTRIC STARTER ASSY(电起动分总成)



NO.	Position No.	CODE	CN DESCRIPTION	EN DESCRIPTION	Qty	NOTES
1	E09	B0107060326H	螺栓 M6×32	BOLT M6×32	2	
2	E09	249016360010	起动机组件(哑光黑)	STARTER MOTOR ASSY,MATT BLACK	1	
3	E09	B0207080168H	螺钉 M8×16	SCREW M8×16	3	
4	E09	299025130000	飞轮组合	FLY WHEEL ASSY	1	
5	E09	249146360000	电起动齿轮轴	STARTING MOTOR GEAR SHAFT	1	

NO.	Position No.	CODE	CN DESCRIPTION	EN DESCRIPTION	Qty	NOTES
6	E09	249055150000	电起动惰轮轴	STARTER IDLE GEAR SHAFT	1	
7	E09	249046360000	电起动惰轮	STARTER IDLE GEAR	1	
8	E09	240126360000	密排式离合器组件	STARTER CLUTCH ASSY	1	
9	E09	249076360000	起动大齿轮组件	STARTING GEAR ASSY	1	
10	E09	299036360000	定子组件	COIL ASSY	1	
11	E09	B0205050166H	螺钉 M5×16	BOLT M5×16	2	
12	E09	B0205060306H	内六角螺钉M6x30	SCREW M6x30	3	
13	E09	249176360000	电起动齿轮	STARTING MOTOR GEAR	1	

E10 LEFT COVER ASSY (左盖分总成)

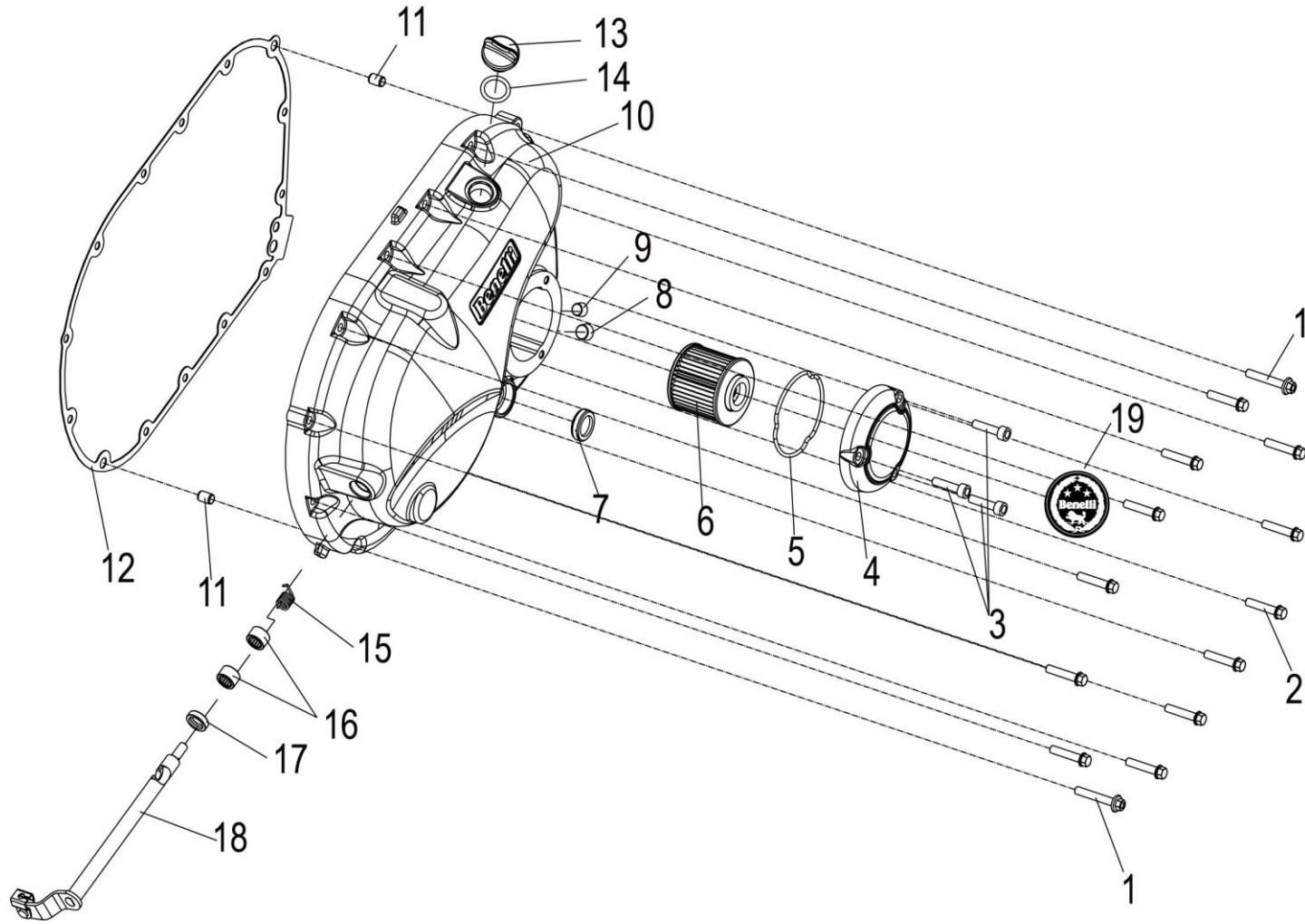


NO.	Position No.	CODE	CN DESCRIPTION	EN DESCRIPTION	Qty	NOTES
1	E10	B0107060256H	螺栓M6×25	BOLT M6x25	9	
2	E10	16006637B401	正时观察孔盖(哑光黑)	PLUG,MATT BLACK	1	
3	E10	160085040000	O型密封圈	O RING	1	
4	E10	160056030000	定位销	DOWEL PIN	2	
5	E10	169206360000	引出线压板1	EDUCIBLE LINE PLATE	1	
6	E10	B0107060106H	螺栓M6×10	BOLT M6x10	4	

NO.	Position No.	CODE	CN DESCRIPTION	EN DESCRIPTION	Qty	NOTES
7	E10	B0107060326H	螺栓M6×32	BOLT M6x32	2	
8	E10	16005637B401	曲轴观察孔盖 (哑光黑)	PLUG COVER MAGNETO ,MATT BLACK	1	
9	E10	160023050000	O型橡胶圈	O RUBBER RING	1	
10	E10	B0107060286H	螺栓M6×28	BOLT M6x28	2	
11	E10	16905637B401	左后盖 (哑光黑)	LEFT REAR COVER,MATT BLACK	1	
12	E10	16902637B401	左盖 (哑光黑)	LEFT COVER,MATT BLACK	1	
13	E10	169216360000	引出线压板2	EDUCIBLE LINE PLATE	1	
14	E10	169076360000	左盖垫片	LEFT COVER GASKET	1	



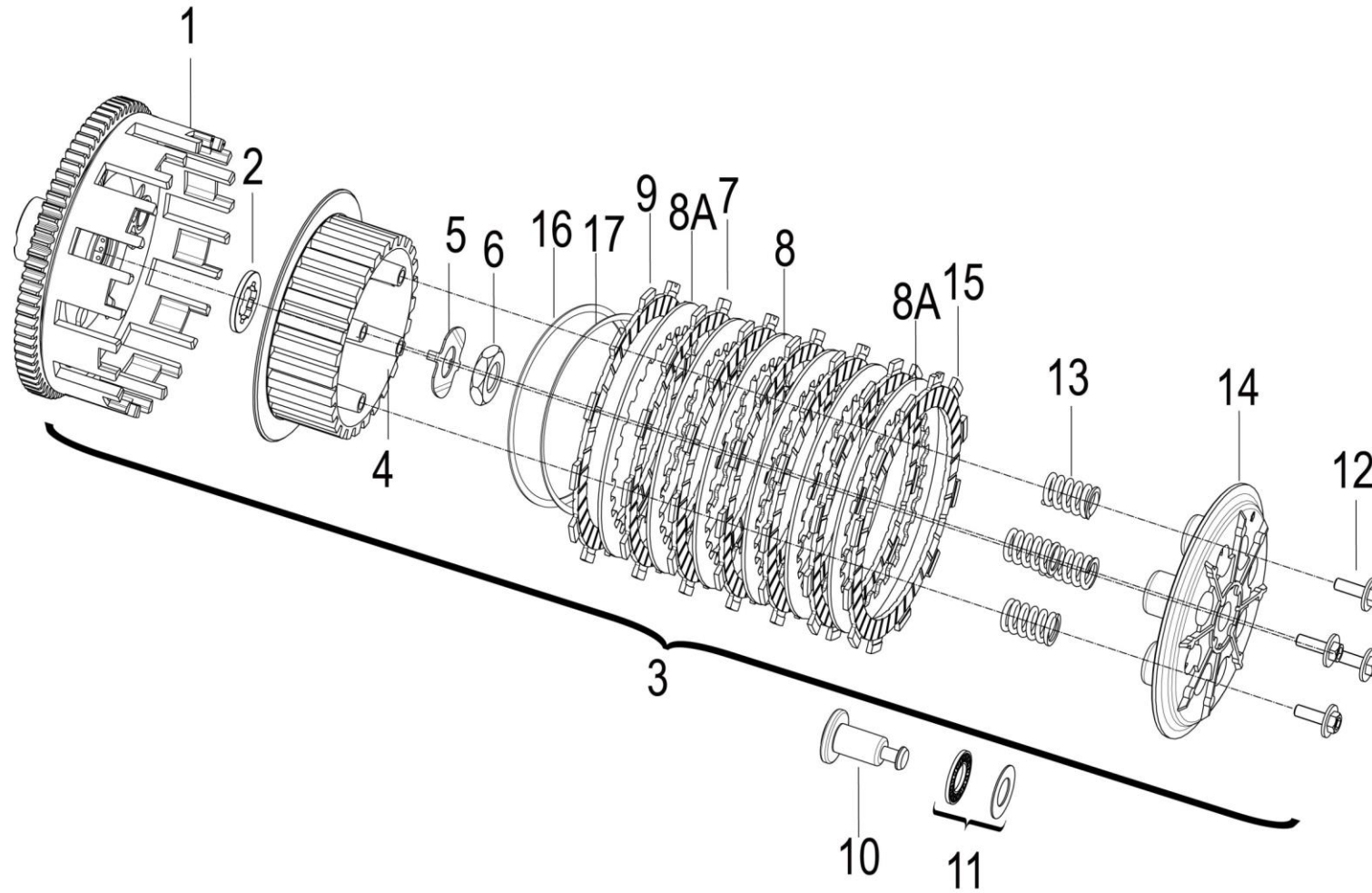
E11 RIGHT COVER ASSY (右盖分总成)



NO.	Position No.	CODE	CN DESCRIPTION	EN DESCRIPTION	Qty	NOTES
1	E11	B0107060386H	螺栓M6x38	BOLT M6x38	2	
2	E11	B0107060306H	螺栓M6x30	BOLT M6x30	12	
3	E11	B0205060306H	内六角螺钉M6x30	SCREW M6x30	3	
4	E11	16001637B401	机滤盖(哑光黑)	OIL FILTER COVER,MATT BLACK	1	
5	E11	169226360000	O型圈	O RING	1	

NO.	Position No.	CODE	CN DESCRIPTION	EN DESCRIPTION	Qty	NOTES
6	E11	269095040000	机油滤芯组件	OIL FILTER	1	
7	E11	160083090000	油面指示器组合	OIL LEVEL INDICATOR	1	
8	E11	159186360000	锥形塞M12x1.5	TAPER STOPPER M12X1.5	1	
9	E11	150166090010	锥形塞M10x1	TAPER STOPPER M10X1	1	
10	E11	16910637B401	右盖(哑光黑)	RIGHT COVER,MATT BLACK	1	
11	E11	160056030000	定位销	DOWEL PIN	2	
12	E11	169116360000	右盖垫片	RIGHT COVER GASKET	1	
13	E11	16007637B401	加油口螺塞 (哑光黑)	OIL FILLER PLUG,MATT BLACK	1	
14	E11	160063070000	O型圈18x3.5	O-RING18x3.5	1	
15	E11	200034050000	分离杆弹簧	CLUTCH PUSH LEVER SPRING	1	
16	E11	B1212K121002	滚针轴承12x16x10	NEEDLE ROLLER BEARING 12X16X10	2	
17	E11	200001050000	分离杆油封	CLUTCH PUSH LEVER OIL SEAL	1	
18	E11	160126360010	操纵杆铆接组件	CONTROL LEVER ASSEMBLY	1	
19	E11	160136360000	标牌	BENELLI LABEL	1	

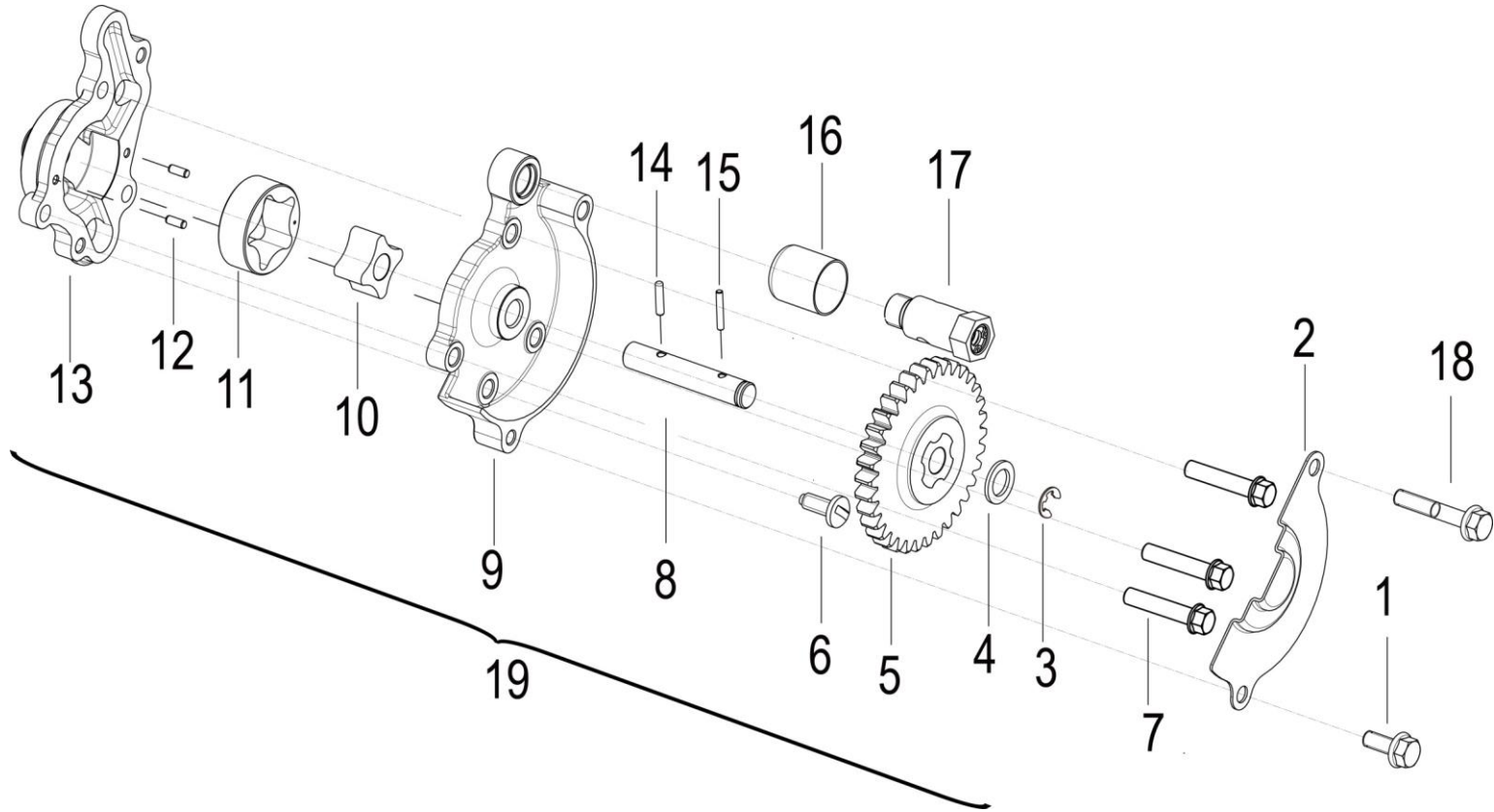
E12 CLUTCH SYSTEM(离合器分总成)



NO.	Position No.	CODE	CN DESCRIPTION	EN DESCRIPTION	Qty	NOTES
1	E12	209016360000	离合器主动毂组件	CLUTCH DRIVE HUB ASSEMBLY	1	
2	E12	200025040000	花键垫圈	WASHER,SPLINE	1	
3	E12	209106360000	离合器组件	CLUTCH COMPONENTS	1	
4	E12	209076220000	离合器从动毂组件	CLUTCH HUB ASSEMBLY	1	
5	E12	200065040000	止动垫片	STOP WASHER	1	

NO.	Position No.	CODE	CN DESCRIPTION	EN DESCRIPTION	Qty	NOTES
6	E12	200075040000	锁紧螺母M16x1	NUT M16x1	1	
7	E12	200115040000	摩擦片2	FRICTION PLATE 2	1	
8	E12	200125040010	离合器片	CLUTCH PLATE	4	
8A	E12	200016360000	离合器片	CLUTCH PLATE	2	
9	E12	200325040000	摩擦片1	FRICTION PLATE 1	1	
10	E12	209096360000	离合器拉杆	CLUTCH PULL ROD	1	
11	E12	200123090030	平面滚针轴承	FLAT NEEDLE ROLLER BEARINGS	1	
12	E12	200055040000	螺栓组合件	BOLT	4	
13	E12	200116220000	离合器弹簧	CLUTCH SPRING	4	
14	E12	200235040000	离合器从动毂座	CLUTCH DRIVEN HUB SEAT	1	
15	E12	200115040010	摩擦片2	FRICTION PLATE 2	5	
16	E12	200106220000	垫圈	WASHER	1	
17	E12	200096220000	蝶形弹簧	SPRING	1	

E13 LUBRICATE SYSTEM (润滑系统分总成)



NO.	Position No.	CODE	CN DESCRIPTION	EN DESCRIPTION	Qty	NOTES
1	E13	B0107060156H	螺栓M6x15	BOLT M6x15	1	
2	E13	260066360000	压板	PRESS PLATE	1	
3	E13	B08030000901	开口挡圈9	CIRCLIP 9	1	
4	E13	150036090000	垫片10.5x16.5x1.5	WASHER 10.5x16.5x1.5	1	
5	E13	269106360000	机油泵齿轮组件	OIL PUMP GEAR ASSEMBLY	1	
6	E13	B02040601623	十字槽小盘头螺钉M6×16	SCREW M6x16	1	
7	E13	B0107060306H	螺栓M6x30	BOLT M6x30	3	
8	E13	269046230000	机油泵轴	OIL PUMP SHAFT	1	

NO.	Position No.	CODE	CN DESCRIPTION	EN DESCRIPTION	Qty	NOTES
9	E13	260056360000	机油泵盖	OIL PUMP COVER	1	
10	E13	269066230000	内转子	OIL PUMP INNER ROTOR	1	
11	E13	269076230000	外转子	OIL PUMP EXTERNAL ROTOR	1	
12	E13	B091403008A1	销3x8	CYLINDRICAL PIN 3X8	2	
13	E13	260046360000	机油泵体	OIL PUMP BODY	1	
14	E13	B210130138Y2	滚针	PIN	1	
15	E13	B09012501614	销2.5x16	CYLINDRICAL PIN 2.5x16	1	
16	E13	260126360000	挡油罩	OIL SHIELD	1	
17	E13	260076360000	泄压阀组件	RELIEF VALVE ASSEMBLY	1	
18	E13	B0107060356H	螺栓M6x35	BOLT M6x35	1	
19	E13	269016360000	机油泵组件	OIL PUMP ASSY	1	