



# KEEWAY MOTOR

## S.P.Catalog\_RFS150i

COLOR	SATIN BLACK	BLUE	RED
CODE	BA	E4	F9
PICTURE	<p>RFS150i Benelli</p>	<p>RFS150i Benelli</p>	<p>RFS150i Benelli</p>

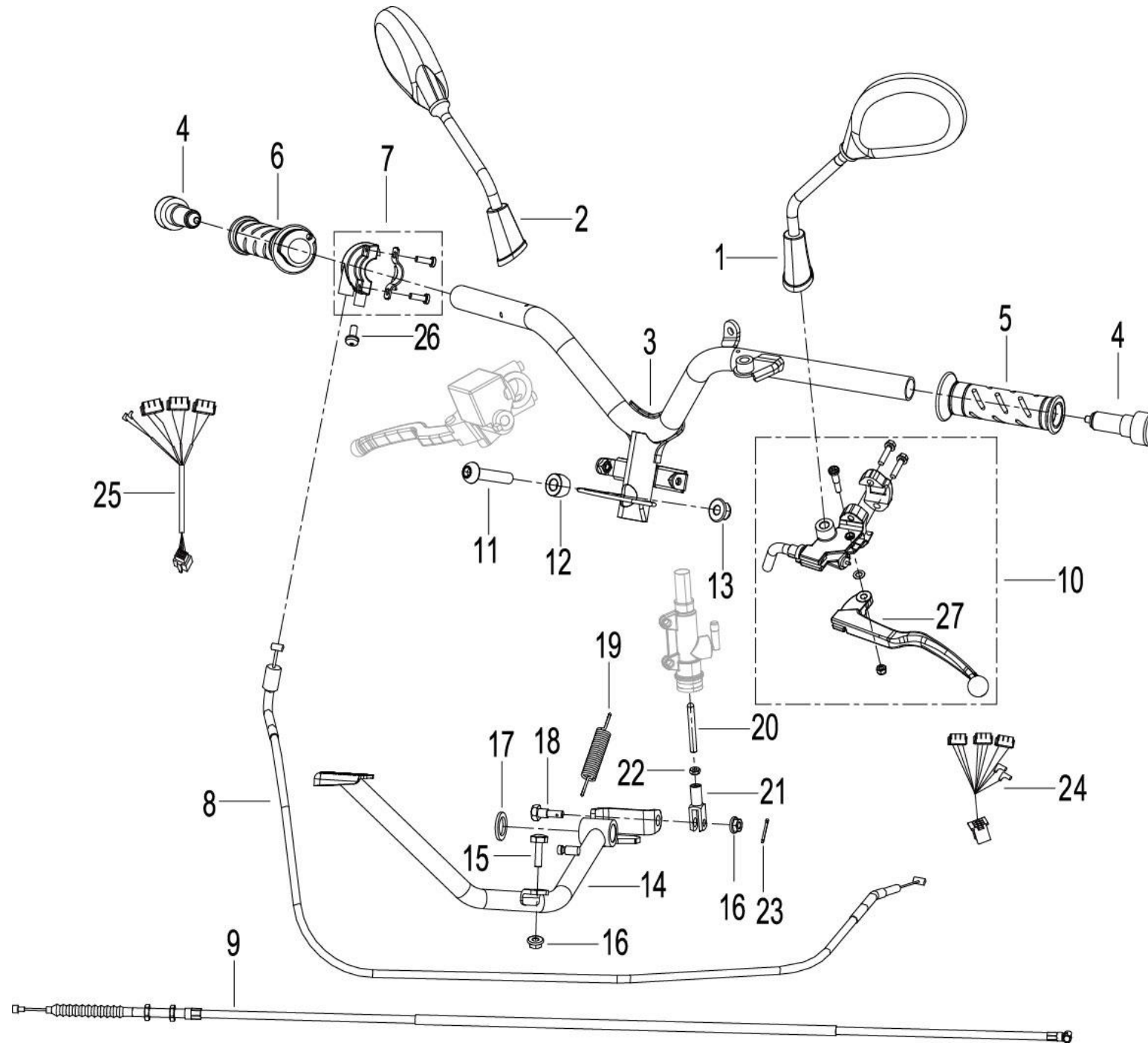
JCK(Q19-12)-BJ150-10A(欧III德尔福电喷水冷) -1B散件

C24460000020

BJ157MJ-3A

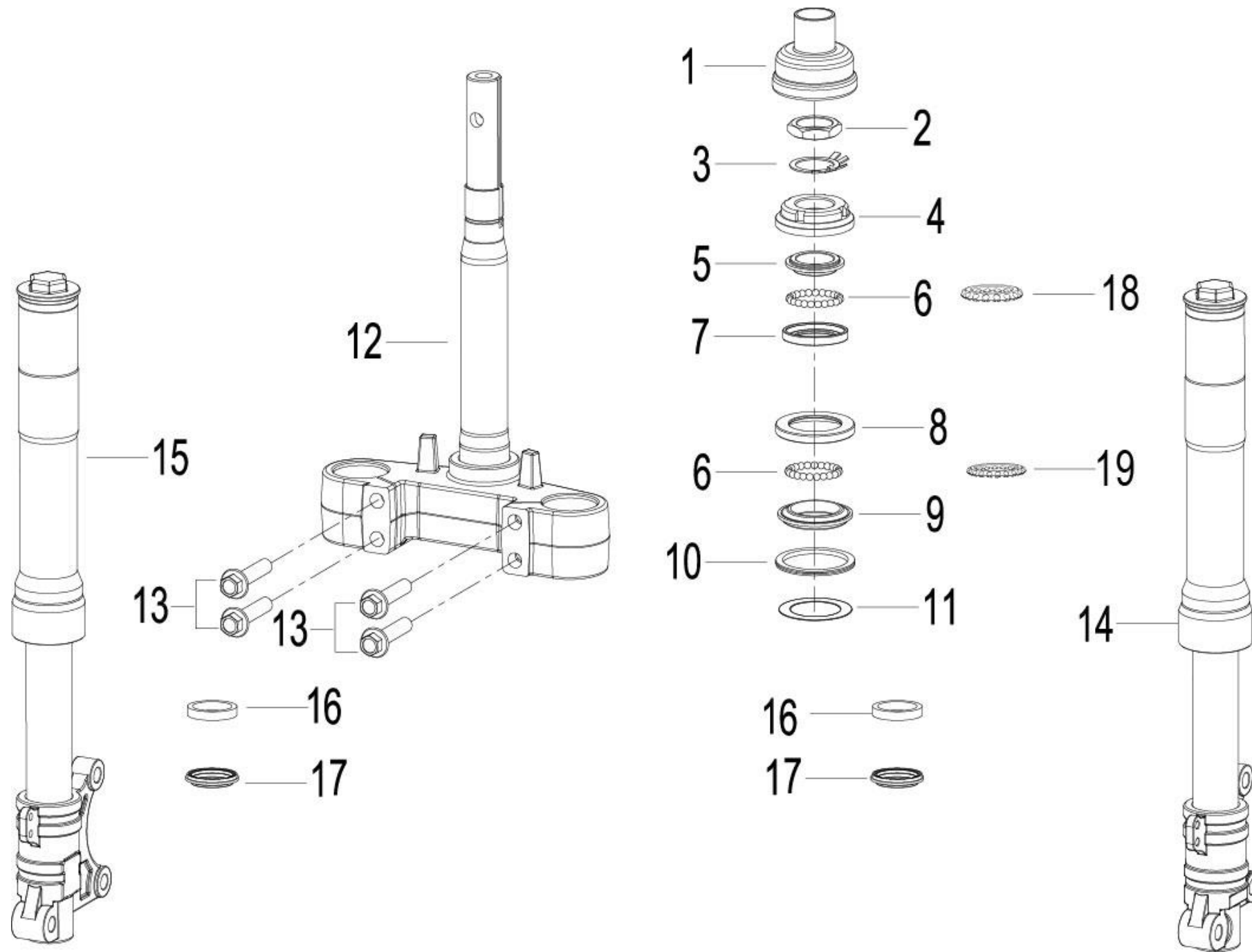
GRAPHITE BLACK
BC
<p>RFS150i Benelli</p>

F01 操纵 CONTROL ASSY.



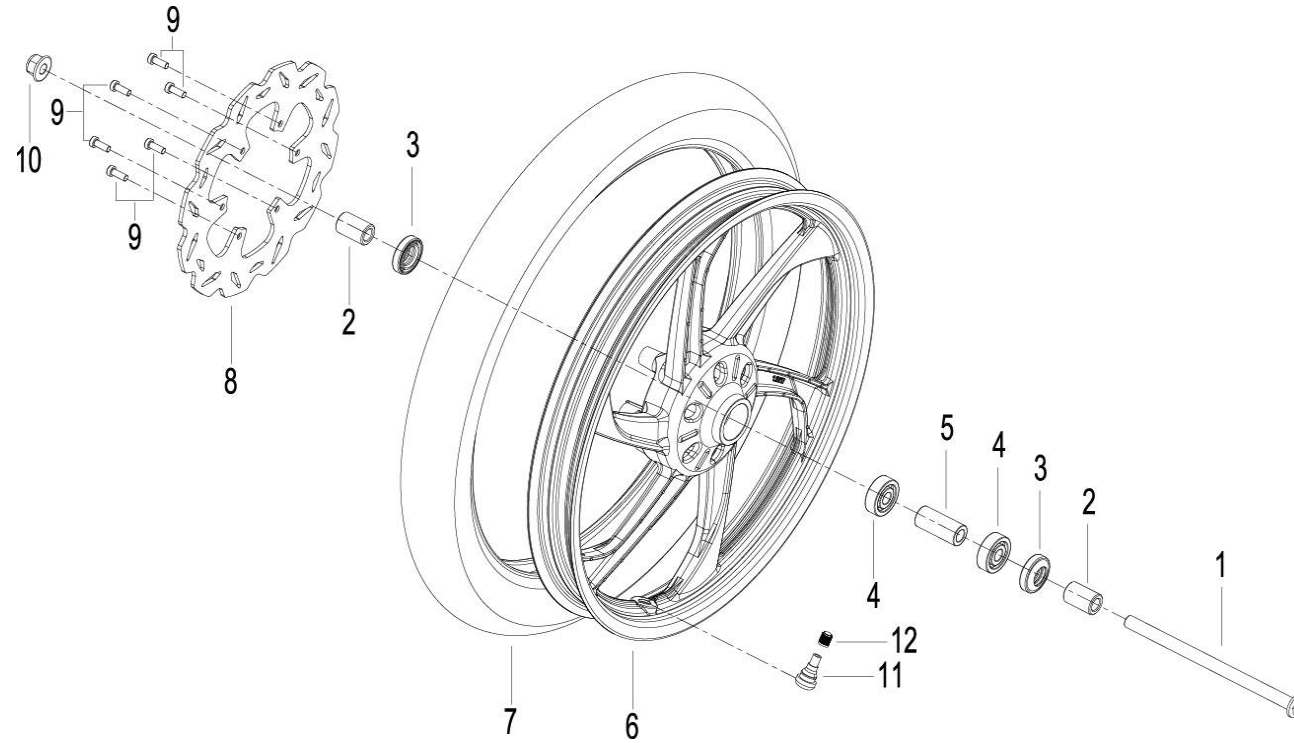
Model	NO.	Position No.	CODE	CN DESCRIPTION	EN DESCRIPTION	Qty/Unit	Remark
RFS150I	1	F01	40450T750006	左后视镜组件	LEFT REAR VIEW MIRROR ASSY	1	
RFS150I	2	F01	40480T750006	右后视镜组件	RIGHT REAR VIEW MIRROR ASSY	1	
RFS150I	3	F01	40100V030000	方向把焊接组件	HANDLE BAR ASSY	1	
RFS150I	4	F01	40030H170000	平衡块组件	BALANCER	2	
RFS150I	5	F01	40001V030000	左方向把套	LEFT HANDLEBAR GRIP	1	
RFS150I	6	F01	40210V030000	右握把组件	RIGHT HANDLEBAR GRIP	1	
RFS150I	7	F01	40320T430007	油门线安装座	THROTTLE CABLE HOUSING	1	
RFS150I	8	F01	40300V030100	油门线组件	THROTTLE CABLE ASSY	1	
RFS150I	9	F01	40400V030100	离合器线组件	CLUTCH CABLE ASSY	1	
RFS150I	10	F01	40080J040006	左手柄组件	CLUTCH LEVER ASSY	1	
RFS150I	11	F01	40131G510100	方向把固定螺栓	BOLT	1	
RFS150I	12	F01	40031T030100	把手座压块	PRESS BLOCK	1	
RFS150I	13	F01	B0417101254H	自锁螺母M10x1.25	SELF-LOCKING NUT M10x1.25	1	
RFS150I	14	F01	40710V030000	刹车踏板焊接组件	REAR BRAKE PEDAL ASSY	1	
RFS150I	15	F01	40780J860100	刹车踏板限位螺栓组件M6x23	BRAKE PEDAL BOLT M6x23	1	
RFS150I	16	F01	B0407060005H	螺母M6	NUT M6	2	
RFS150I	17	F01	08021K100100	垫圈16x24x2	WASHER 16x24x2	1	
RFS150I	18	F01	40717D010100	固定螺栓	BOLT	1	
RFS150I	19	F01	40702K670200	刹车踏板复位弹簧(电泳)	REAR BRAKE RETURN SPRING	1	
RFS150I	20	F01	55502D010000	后液刹顶杆	BRAKE PUSH ROD	1	
RFS150I	21	F01	40716D010100	拉柄	BRAKE PEDAL JOINT	1	
RFS150I	22	F01	B0400060005H	螺母M6	NUT M6	1	
RFS150I	23	F01	B090003025AH	开口销3x25	COTTER PIN 3x25	1	
RFS150I	24	F01	40530V030000	左组合开关线	LEFT HANDLE SWITCH CABLE	1	
RFS150I	25	F01	40630V030000	右组合开关线	RIGHT HANDLE SWITCH CABLE	1	
RFS150I	26	F01	B1301050160H	组合螺钉M5x10	SCREW W/WASHER M5x10	1	
RFS150I	27	F01	40084J040006	左手柄	CLUTCH LEVER	1	

F02 前叉 FRONT FORK ASSY.



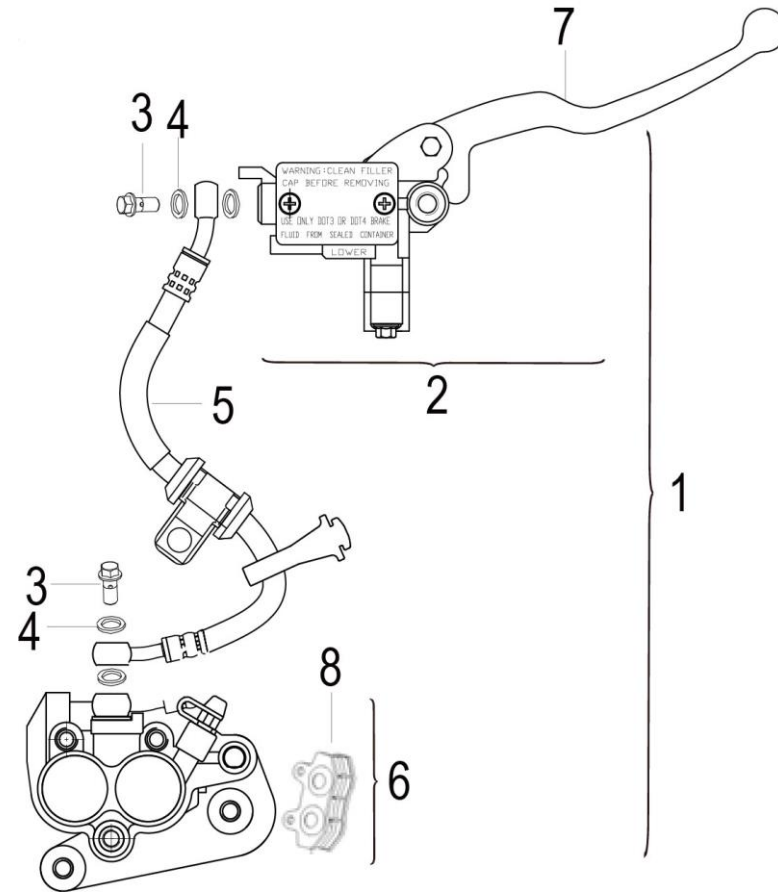
Model	NO.	Position No.	CODE	CN DESCRIPTION	EN DESCRIPTION	Qty/Unit	Remark
RFS150I	1	F02	43005T800000	防尘盖	DUSTPROOF COVER	1	
RFS150I	2	F02	43009G120020	锁紧螺母	NUT	1	
RFS150I	3	F02	43007T090000	止动垫圈	WASHER	1	
RFS150I	4	F02	43008G120000	压紧螺母	STEERING STEM NUT	1	
RFS150I	5	F02	43001H390000	上轴承上钢碗	RACE, STEERING OUTER, UPPER	1	
RFS150I	7	F02	43002H390000	上轴承下钢碗	RACE, STEERING INNER, UPPER	1	
RFS150I	8	F02	43003H390000	下轴承上钢碗	RACE, STEERING INNER, LOWER	1	
RFS150I	9	F02	43004H390000	下轴承下钢碗	RACE,STEERING OUTER, LOWER	1	
RFS150I	10	F02	43028G120000	防尘圈	DUST SEAL	1	
RFS150I	11	F02	43018G120100	下联板支柱垫圈	WASHER	1	
RFS150I	12	F02	43100V030000	下联板焊接组件	LOWER BRACKET ASSY	1	
RFS150I	13	F02	B01591004065	螺栓M10x1.25x40	BOLT M10x1.25x45	4	
RFS150I	14	F02	43200V030000	前左减震器组件	FRONT LEFT SHOCK ABSORBER ASSY.	1	
RFS150I	15	F02	43300V030000	前右减震器组件	FRONT RIGHT SHOCK ABSORBER ASSY.	1	
RFS150I	16	F02	43260V030000	油封组件	OIL SEAL	2	
RFS150I	17	F02	43290V030000	防尘圈组件	DUST SEAL	2	
RFS150I	18	F02	43130L260000	上钢珠组件	UPPER STEEL BALL ASSY	1	
RFS150I	19	F02	43140L260000	下钢珠组件	LOWER STEEL BALL ASSY	1	

F03 前轮 FRONT WHEEL ASSY.



Model	NO.	Position No.	CODE	CN DESCRIPTION	EN DESCRIPTION	Qty/Unit	Remark
RFS150i	1	F03	44004H030100	前轮轴	FRONT WHEEL AXLE	1	
RFS150i	2	F03	44016V030100	前轮轴套Φ12×Φ21×32.3	FRONT WHEEL SHAFT SLEEVE Φ12×Φ21×32.3	2	
RFS150i	3	F03	44300G120000	前轮毂油封	FRONT WHEEL OIL SEAL	2	
RFS150i	4	F03	B12016030100	滚动轴承6301-2RS	BEARING 6301-2RS	2	
RFS150i	5	F03	44006V030000	前轮中间轴套	FRONT WHEEL MIDDLE SHAFT SLEEVE	1	
RFS150i	6	F03	44101V030100	前轮圈(白色色带)	FRONT RIM.WHITE LINE	1	
RFS150i	6	F03	44101V030200	前轮圈(红色色带)	FRONT RIM.RED LINE	1	
RFS150i	6	F03	44101V03U600	前轮圈(晶彩绿U6)	FRONT RIM.GREEN U6	1	
RFS150i	7	F03	AC-VRM317F	真空胎70/90-17 38P	TIRE 70/90-17 38P	1	
RFS150i	8	F03	45033T800000	前液刹盘	FRONT BRAKE DISC	1	
RFS150i	9	F03	B0282060208H	螺钉M6×20	SCREW M6×20	6	
RFS150i	10	F03	B0417121254H	自锁螺母M12×1.25	SELF-LOCKING NUT M12×1.25	1	
RFS150i	11	F03	B1403Z201100	气门嘴	AIR VALVE/RIM VALVE	1	
RFS150i	12	F03	B1404Z2011A0	气门嘴帽Z2-01-1	CAP, VALVE	1	

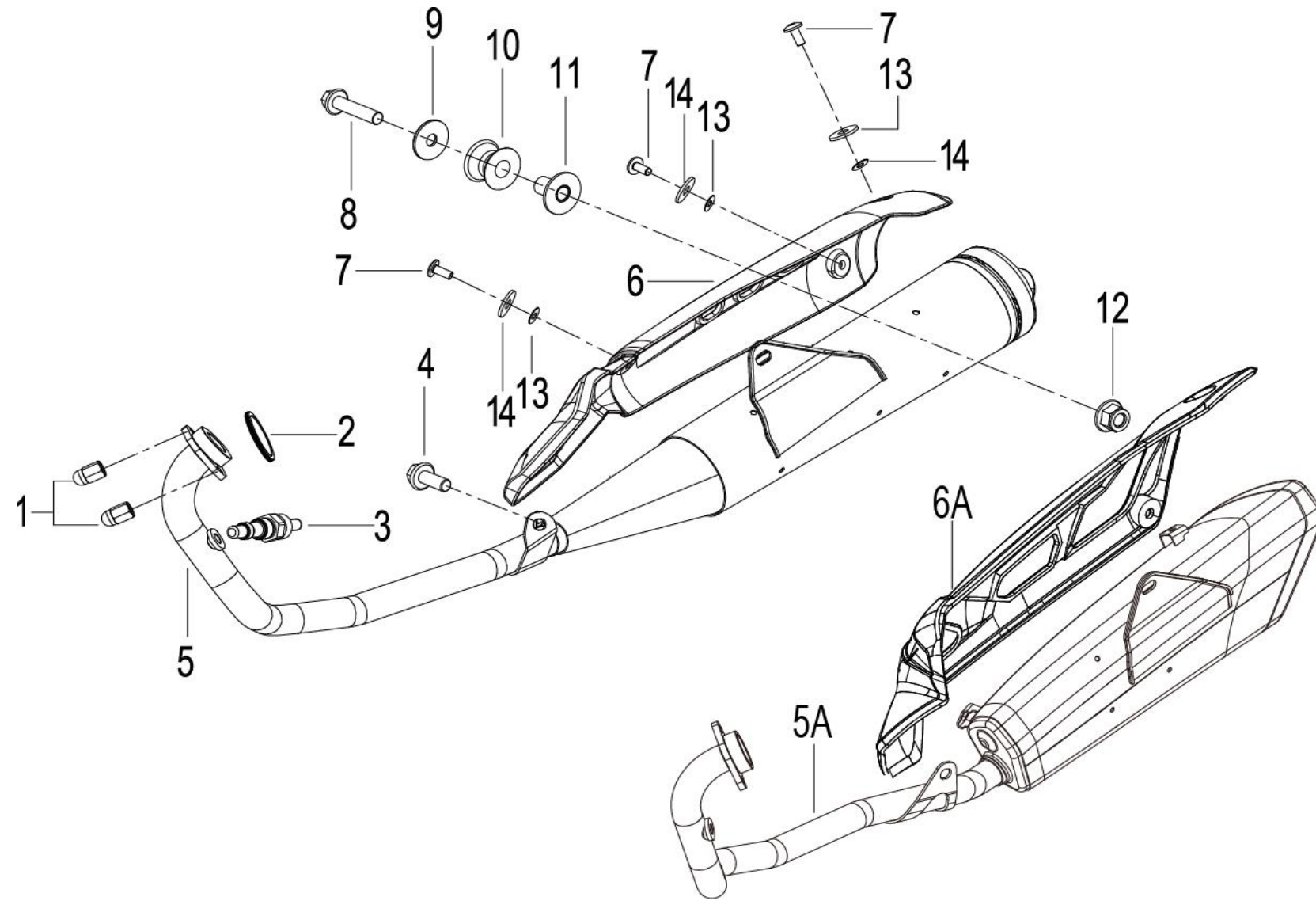
F04 前液刹总成 FRONT DISK BRAKE



Model	NO.	Position No.	CODE	CN DESCRIPTION	EN DESCRIPTION	Qty/Unit	Remark
RFS150i	1	F04	45900V03DB70	前液刹组件(红色)	FRONT DISC BRAKE ASSY.RED	1	
RFS150i	1	F04	45900V03DB60	前液刹组件(金色)	FRONT DISC BRAKE ASSY.GOLDEN	1	
RFS150i	2	F04	45400N210000	油泵体组件	FRONT MASTER CYLINDER ASSY	1	
RFS150i	3	F04	55037J410000	六角法兰面螺钉	HEX FLANGE BOLT	2	
RFS150i	4	F04	55180J000000	密封圈	WASHER	4	
RFS150i	5	F04	45200V030000	制动软管总成	FRONT BRAKE HOSE	1	
RFS150i	6	F04	45500V03F900	制动缸组件(红色)	CALIPER, FRONT DISC BRAKE,IN RED	1	
RFS150i	6	F04	45500V03MB00	制动缸组件(金色)	CALIPER, FRONT DISC BRAKE,IN GOLDEN	1	
RFS150i	7	F04	45022J020001	前液刹手柄	FRONT DISC BRAKE LEVER	1	
RFS150i	8	F04	45120U060000	摩擦片组件	BRAKE PAD KIT ASSY.THICKNESS:7MM	1 set	



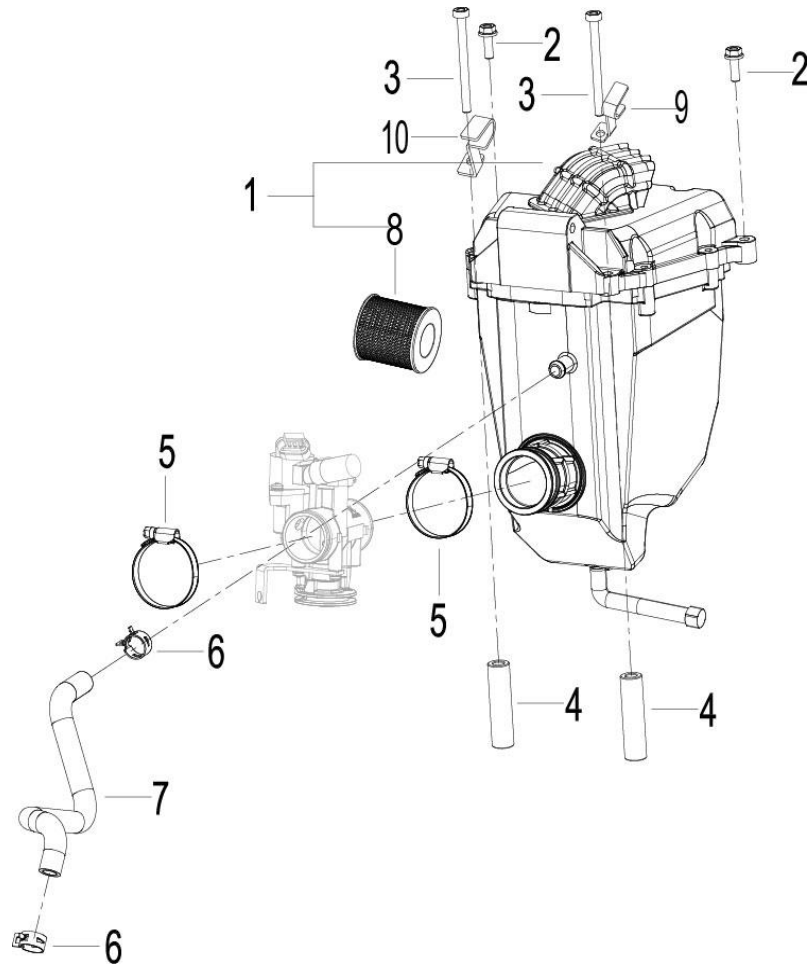
F05 消声器 MUFFLER ASSY.





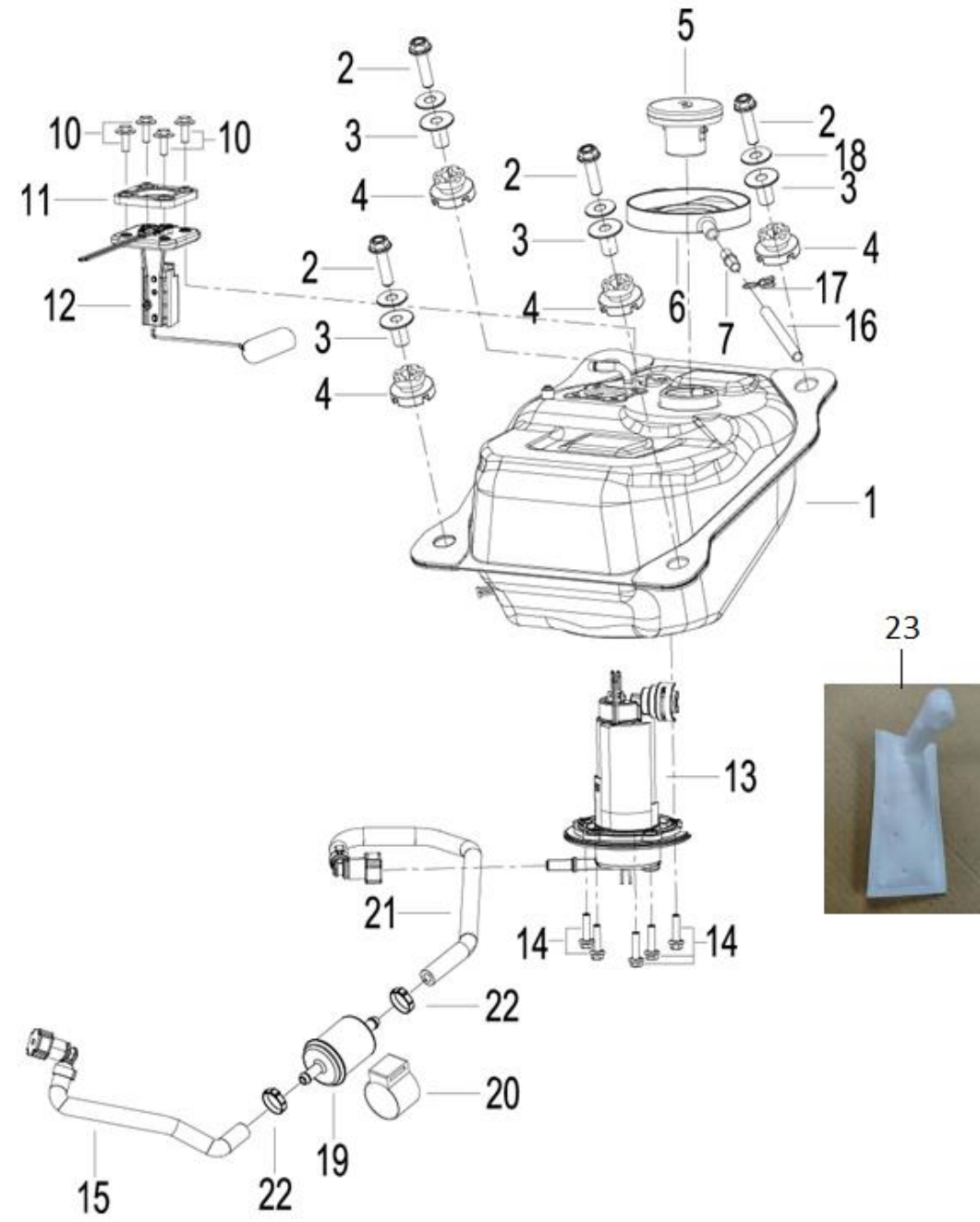
Model	NO.	Position No.	CODE	CN DESCRIPTION	EN DESCRIPTION	Qty/Unit	Remark
RFS150i	1	F05	08051N030100	螺母M8x14	NUT M8x14	2	
RFS150i	2	F05	47800P250000	排气管密封垫组件	EXHAUST PIPE GASKET ASSY	1	
RFS150i	3	F05	31902V020000	氧传感器	OXYGEN SENSOR	1	
RFS150i	4	F05	B0159100206H	螺栓M10x1.25x20	BOLT M10x1.25x20	1	
RFS150i	5A	F05	47100L260000	消声器焊接组件(菱形/单触媒42x110)	MUFFLER ASSY.WITH CATALYZER:42x110	1	
RFS150i	6	F05	47023V030001	消声器装饰罩	MUFFLER GUARD BOARD	1	
RFS150i	6A	F05	47023V030000	消声器装饰罩	MUFFLER GUARD BOARD	1	
RFS150i	7	F05	B0283060146H	螺钉M6x14	SCREW M6x14	3	
RFS150i	8	F05	B0159100456H	螺栓M10x1.25x45	BOLT M10x1.25x45	1	
RFS150i	9	F05	43044K230000	上垫圈	WASHER	1	
RFS150i	10	F05	47028H390000	消声器橡胶套	MUFFLER RUBBER BUSH	1	
RFS150i	11	F05	47040H390100	消声器轴套组件	MUFFLER RUBBER CUSHION	1	
RFS150i	12	F05	B0417101254H	自锁螺母M10x1.25	SELF-LOCKING NUT M10x1.25	1	
RFS150i	13	F05	08022N050000	隔热垫片	HEAT INSULATION WASHER	3	
RFS150i	14	F05	B0702000060H	垫圈6	WASHER 6	3	

F06 空滤器 AIR CLEANER ASSY.



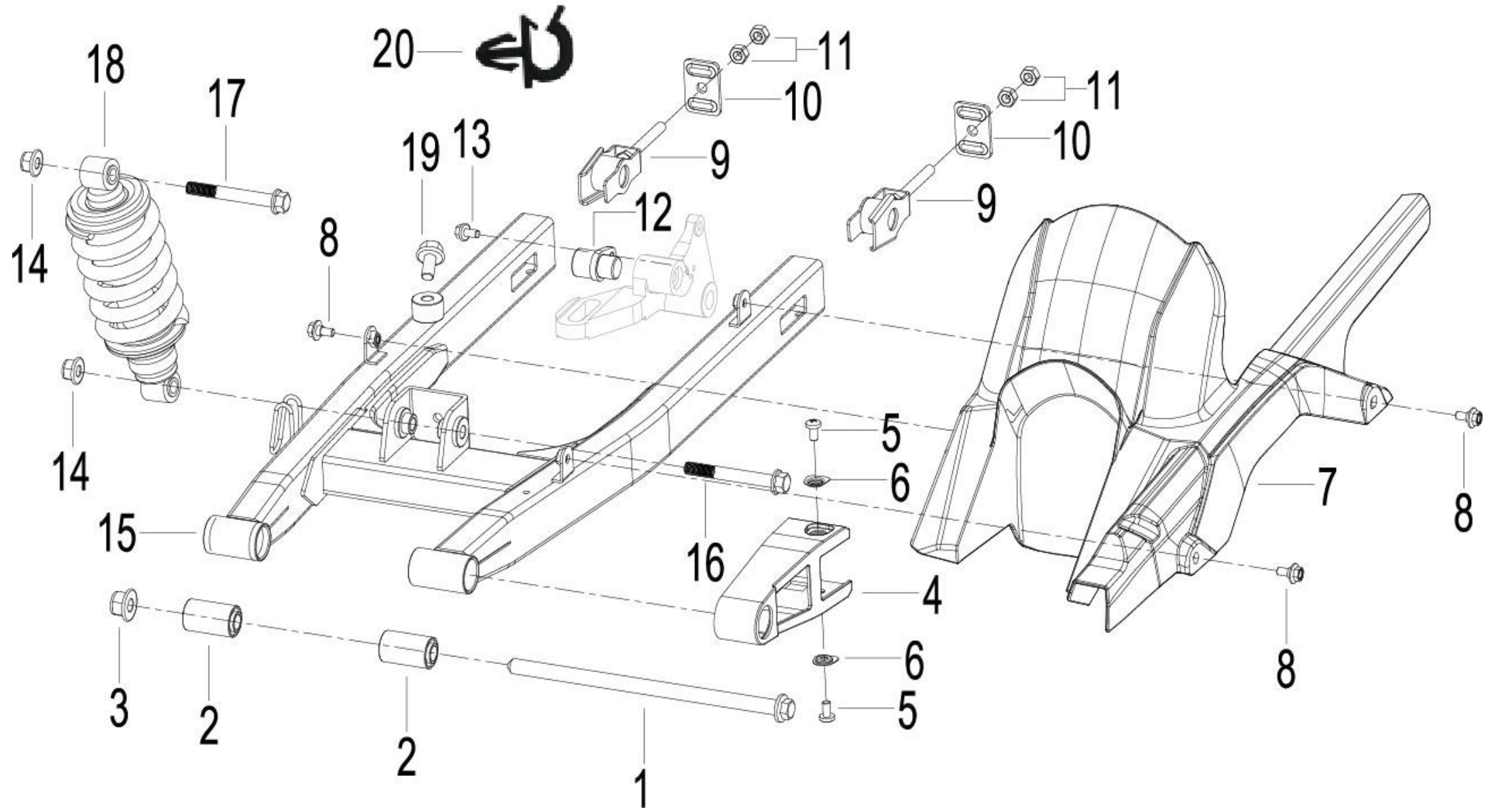
Model	NO.	Position No.	CODE	CN DESCRIPTION	EN DESCRIPTION	Qty/Unit	Remark
RFS150i	1	F06	49100V030000	空滤器组件	AIR CLEANER	1	
RFS150i	2	F06	B0109060256H	螺栓M6×30	BOLT M6×30	2	
RFS150i	3	F06	B0205060956H	螺栓M6×95	BOLT M6×95	2	
RFS150i	4	F06	49004V030000	空滤器安装衬套	BUSH	2	
RFS150i	5	F06	49016N070000	不锈钢卡箍50	STAINLESS CLAMP 50	2	
RFS150i	6	F06	49855J000000	耐热管卡箍Φ16.5×10×1	CLAMP Φ16.5×10×1	2	
RFS150i	7	F06	49025V030000	废弃回收管	EXHAUST GAS RECIRCULATION TUBE	1	
RFS150i	8	F06	49200U210000	空滤器滤芯组件	AIR CLEANER FILTER ASSY	1	
RFS150i	9	F06	51011L260000	左头盔挂钩	LEFT HELMET HOOK	1	
RFS150i	10	F06	51022L260000	右头盔挂钩	RIGHT HELMET HOOK	1	

F07 油箱 FUEL TANK



Model	NO.	Position No.	CODE	CN DESCRIPTION	EN DESCRIPTION	Qty/Unit	Remark
RFS150i	1	F07	50100V030001	油箱体组件	FUEL TANK	1	
RFS150i	2	F07	B0206060352H	螺钉M6×35	SCREW M6×35	4	
RFS150i	3	F07	50014J410000	橡胶垫衬管	T BUSH	4	
RFS150i	4	F07	50018V030000	油箱缓冲橡胶	FUEL TANK BUFFER RUBBER	4	
RFS150i	5	F07	50200H290100	油箱盖组件	FUEL TANK CAP ASSY	1	
RFS150i	6	F07	50011V030000	漏水垫	LEAKING MAT	1	
RFS150i	7	F07	64008G220000	接头	PIPE	1	
RFS150i	10	F07	08016B920200	组合螺钉M5×14	SCREW M5×14	4	
RFS150i	11	F07	50004B910000	油位传感器口胶垫	FUEL SENSOR RUBBER MAT	1	
RFS150i	12	F07	50800V030000	油位传感器组件	FUEL SENSOR ASSY.	1	
RFS150i	13	F07	50400V020000	燃油泵总成	FUEL PUMP ASSY	1	
RFS150i	14	F07	B0109050206H	螺栓M5×20	BOLT M5×20	5	
RFS150i	15	F07	50380V030001	油管组件II	FUEL PIPE ASSY.II	1	
RFS150i	16	F07	B16010724001	油管Φ11×7×400	OIL TUBE Φ11×7×400	1	
RFS150i	17	F07	B17010090003	钢丝卡箍Φ9	CLIP Φ9	1	
RFS150i	18	F07	B0702000060H	垫圈6	WASHER 6	4	
RFS150i	19	F07	50340N100001	滤清器组件	FUEL FILTER	1	
RFS150i	20	F07	50391N070010	过滤器护套	FUEL FILTER JACKET	1	
RFS150i	21	F07	50370V030001	油管组件	FUEL PIPE ASSY.	1	
RFS150i	22	F07	50307J690000	卡箍14.5-706R	CLAMP 14.5-706R	2	
RFS150i	23	F07	50401V020000	燃油泵滤芯	FUEL PUMP FILTER	1	

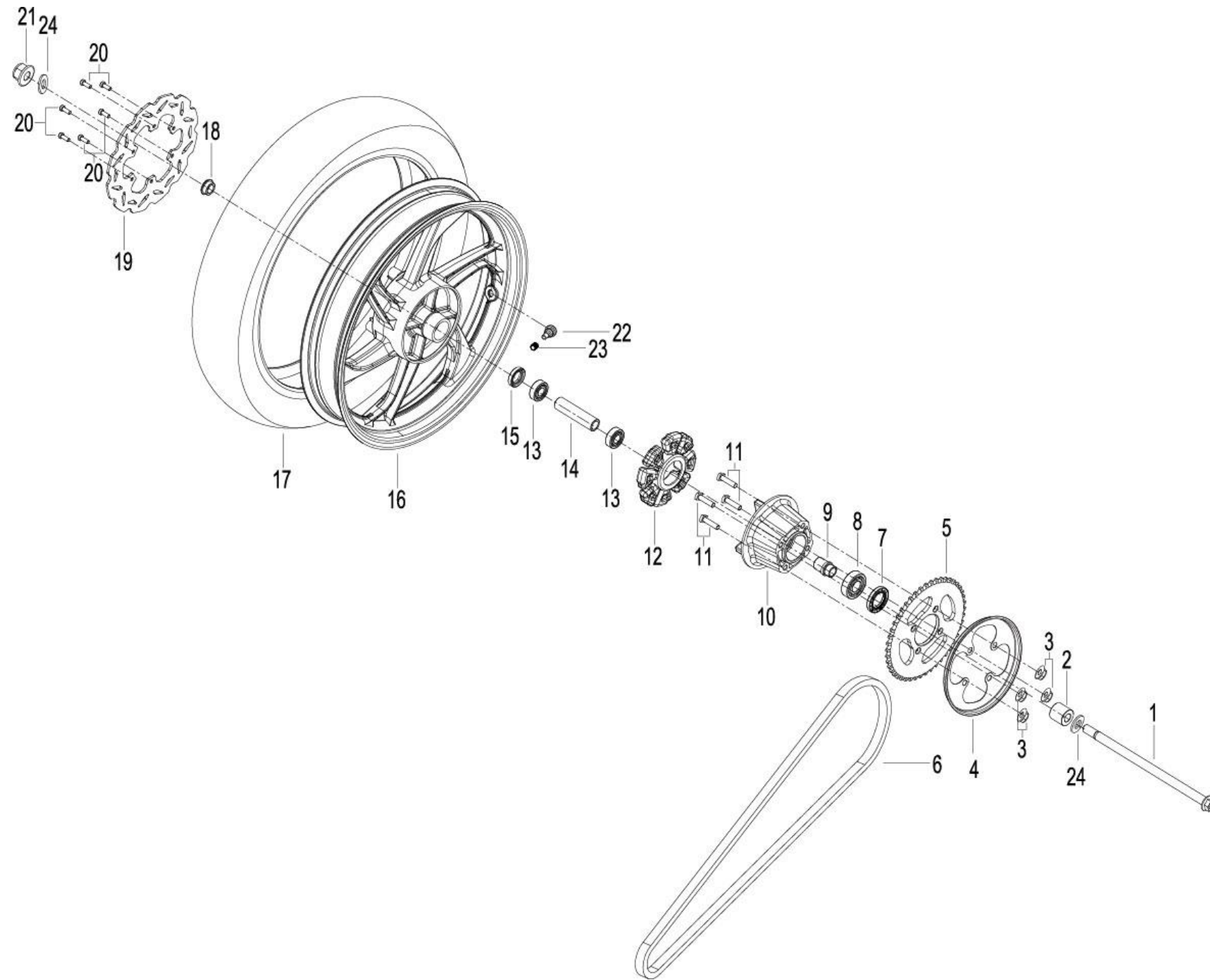
F08 后摆臂 REAR SWINN ARM ASSY.



Model	NO.	Position No.	CODE	CN DESCRIPTION	EN DESCRIPTION	Qty/Unit	Remark
RFS150i	1	F08	58309V030100	发动机固定轴M12×1.25×236	ENGINE MOUNTING SHAFT M12×1.25×236	1	
RFS150i	2	F08	53200J040000	后摆臂轴套组件	REAR SWING ARM SHAFT SLEEVE ASSY	2	
RFS150i	3	F08	B0417121254H	自锁螺母M12×1.25	NUT M12×1.25	1	
RFS150i	4	F08	53004V030000	链条防护块	CHAIN SHIELD BLOCK	1	
RFS150i	5	F08	B0200060122H	螺钉M6×12	SCREW M6×12	2	
RFS150i	6	F08	53018J800000	隔套	SPACER	2	
RFS150i	7	F08	60101V030000	链罩	DRIVE CHAIN COVER	1	
RFS150i	8	F08	08011H010200	凸台螺栓M6×14	BOLT M6×14	3	
RFS150i	9	F08	53230N030200	链条调节器组件	CHAIN TENSION ADJUSTER ASSEMBLY	1	
RFS150i	10	F08	53234V030100	链条调节器压板	CHAIN TENSION ADJUSTER RETAINER	1	
RFS150i	11	F08	B0400080005H	螺母M8	NUT M8	4	
RFS150i	12	F08	94010V030000	速度感应器	SPEED SENSOR	1	
RFS150i	13	F08	B0109060126H	螺栓M6×12	BOLT M6×12	1	
RFS150i	14	F08	B0417101254H	自锁螺母M10×1.25	SELF-LOCKING NUT M10×1.25	2	
RFS150i	15	F08	53100V030000	后摆臂焊接组件	REAR SWING ARM ASSY	1	
RFS150i	16	F08	08012V030000	后减震下固定螺栓M10×77	BOLT M10×77	1	
RFS150i	17	F08	08013V030000	后减震上固定螺栓M10×67	BOLT M10×67	1	
RFS150i	18	F08	63800V031000	后减震器组件(TNT2#红F9)	REAR SHOCK ABSORBER ASSY ( KYB )	1	
RFS150i	19	F08	B0159100206H	螺栓M10×1.25×20	BOLT M10×1.25×20	1	
RFS150i	20	F08	65834P160000	管夹ZT-54	WIRE CLIP	1	

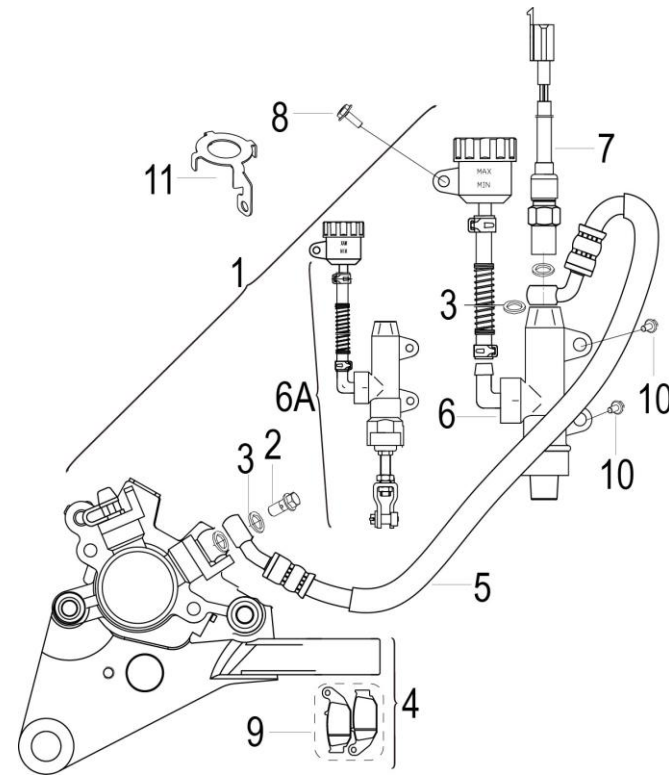


F09 后轮 REAR WHEEL ASSY.



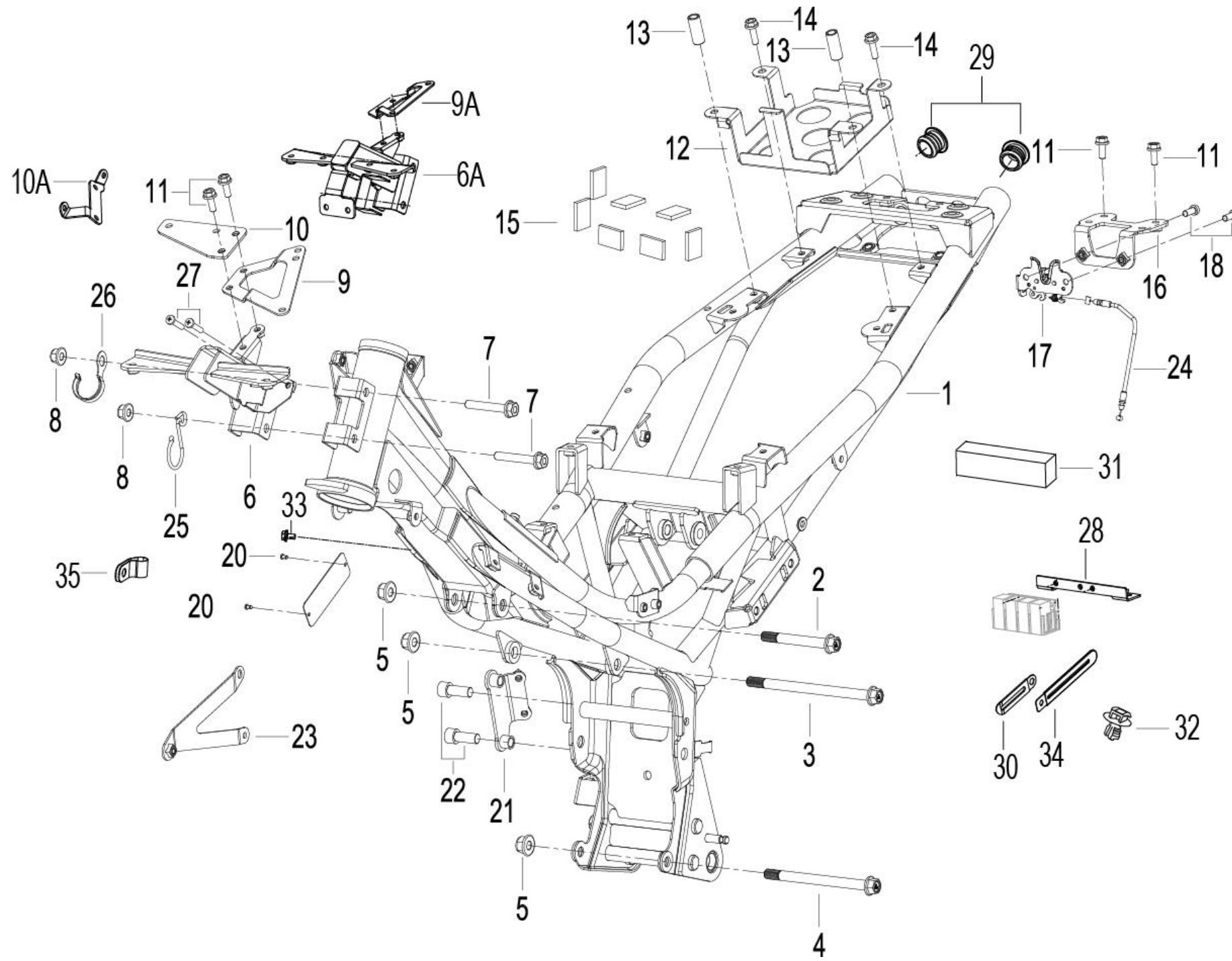
Model	NO.	Position No.	CODE	CN DESCRIPTION	EN DESCRIPTION	Qty/Unit	Remark
RFS150i	1	F09	54004J670200	后轮轴M14×1.5×292	AXLE, REAR WHEEL M14×1.5×292	1	
RFS150i	2	F09	54016V030100	后轮左轴套	REAR WHEEL LEFT SPACER	1	
RFS150i	3	F09	B0417080004H	自锁螺母M8	LOCK NUT M8	4	
RFS150i	4	F09	60028L260000	链轮挡水圈	WATERPROOF RING	1	
RFS150i	5	F09	60002J040003	链轮46齿	SPROCKET 46 TEETH	1	
RFS150i	6	F09	B1502S1124B0	链条428HO-1×124	CHAIN 428HO-1×124	1	
RFS150i	7	F09	60200J410000	防尘圈组件	DUST SEAL ASSY	1	
RFS150i	8	F09	B12016020400	滚动轴承6204-2RS	BALL BEARING 6204-2RS	1	
RFS150i	9	F09	60006J000000	链传动轴套	REAR WHEEL AXLE SLEEVE	1	
RFS150i	10	F09	60001V030000	链轮毂	REAR WHEEL DRIVE HUB	1	
RFS150i	11	F09	B0112080356H	螺栓M8×35	BOLT M8×35	4	
RFS150i	12	F09	54024V030000	后轮缓冲块	REAR WHEEL DRIVE HUB DAMPER	1	
RFS150i	13	F09	B12016020200	滚动轴承6202-2RS	BALL BEARING 6202-2RS	2	
RFS150i	14	F09	54006V030000	轴承隔套	REAR WHEEL SPACER	1	
RFS150i	15	F09	44300B910000	前轮油封组件	FRONT WHEEL OIL SEAL ASSY(FOR REAR WHEEL)	1	
RFS150i	16	F09	54101V030100	后轮圈(白色色带)	REAR RIM,WHITE LINE	1	
RFS150i	16	F09	54101V030200	后轮圈(红色色带)	REAR RIM,RED LINE	1	
RFS150i	16	F09	54101V03U600	后轮圈(晶彩绿U6)	REAR RIM,GREEN U6	1	
RFS150i	17	F09	AC-VRM387R	真空胎120/70-17 58P	TIRE 120/70-17 58P	1	
RFS150i	18	F09	54005V030000	后轮右轴套	REAR WHEEL RIGHT COLLAR Φ15×Φ22.5×9.8	1	
RFS150i	19	F09	55033T800000	后制动盘	REAR DISK BRAKE	1	
RFS150i	20	F09	B0282060208H	螺钉M6×20	SCREW M6×20	6	
RFS150i	21	F09	B0417141504H	自锁螺母M14×1.5	SELF-LOCKING NUT M14×1.5	1	
RFS150i	22	F09	B1403Z201100	气门嘴	AIR VALVE/RIM VALVE	1	
RFS150i	23	F09	B1404Z2011A0	气门嘴帽Z2-01-1	CAP, AIR VALVE	1	
RFS150i	24	F09	08021K670000	垫圈φ16×φ32×2	WASHER φ16×φ32×2	2	

F10 后液刹 REAR DISK BRAKE



Model	NO.	Position No.	CODE	CN DESCRIPTION	EN DESCRIPTION	Qty/Unit	Remark
RFS150i	1	F10	55900V03DB60	后液刹组件 (金色)	REAR DISC BRAKE ASSY,GOLDEN	1	
RFS150i	1	F10	55900V03DB50	后液刹组件 (红色)	REAR DISC BRAKE ASSY,BLACK	1	
RFS150i	2	F10	55037J410000	六角法兰面螺钉	SCREW	1	
RFS150i	3	F10	55180J410000	密封圈	WASHER	4	
RFS150i	4	F10	55500V03MB00	后制动缸组件 (金色)	CALIPER, REAR DISC BRAKE,GOLDEN	1	
RFS150i	4	F10	55500V03F900	后制动缸组件 (红色)	CALIPER, REAR DISC BRAKE,RED	1	
RFS150i	5	F10	55200V030000	后制动软管总成	REAR BRAKE HOSE	1	
RFS150i	6	F10	55400V030000	后油泵体组件	REAR MASTER CYLINDER ASSY	1	
RFS150i	6A	F10	55400V030100	后油泵体组件(带油杯管子顶杆拉柄)	REAR MASTER CYLINDER ASSY	1	start vin ZBNL26007KBA06117
RFS150i	7	F10	55300J410000	后刹车压力开关	REAR DISK BRAKE SWITCH	1	
RFS150i	8	F10	08016B920200	组合螺钉M5x14	SCREW M5x14	1	
RFS150i	9	F10	55110V020000	摩擦片组件	PADS, REAR DISC BRAKE	1	
RFS150i	10	F10	B01090601665	螺栓M6x16	BOLT M6x16	2	
RFS150i	11	F10	57041V030001	油杯防拆盖	TAMPER BRACKET	1	

F11 车架 FRAME BODY

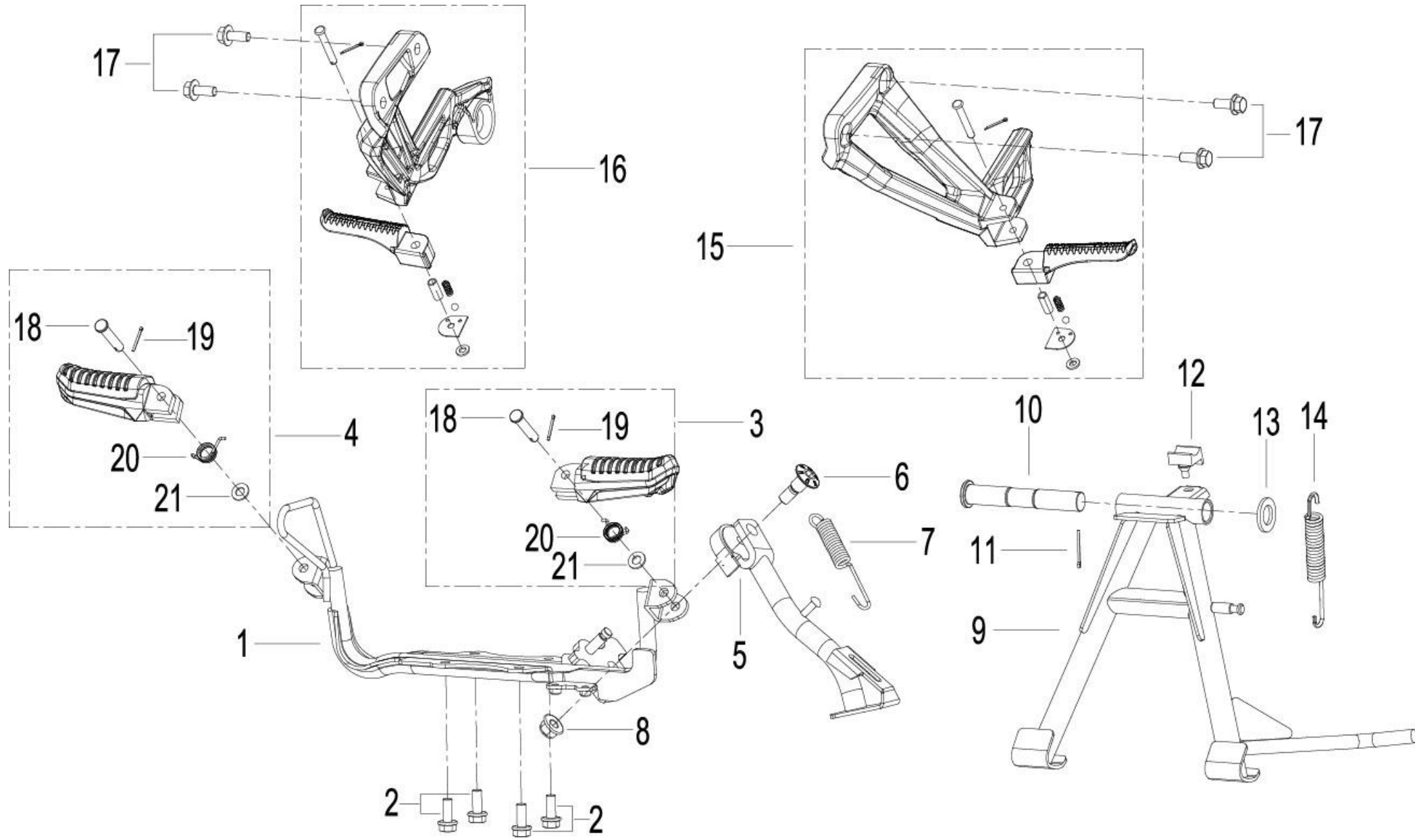


Model	NO.	Position No.	CODE	CN DESCRIPTION	EN DESCRIPTION	Qty/Unit	Remark
RFS150i	1	F11	57100V030000	车架焊接组件	WELDING ASSY, FRAME	1	
RFS150i	2	F11	58303V030100	发动机上固定轴M10×1.25×79.5	ENGINE MOUNTING SHAFT,UPPER M10×1.25×79.5	1	
RFS150i	3	F11	58305V030100	发动机中间固定轴M10×1.25×148.5	ENGINE MOUNTING SHAFT,MIDDLE M10×1.25×148.5	1	
RFS150i	4	F11	58306V030100	发动机下固定轴M10×118.5	ENGINE MOUNTING SHAFT,UNDER M10×118.5	1	
RFS150i	5	F11	B0417101254H	自锁螺母M10×1.25	SELF-LOCKING NUT M10×1.25	3	
RFS150i	6	F11	59400V030002	前大罩安装支架组件	FRONT FACE PLATE FIXING BRACKET ASSY	1	
RFS150i	6A	F11	59400M510001	前大罩安装支架组件	FRONT FACE PLATE FIXING BRACKET ASSY	1	
RFS150i	7	F11	B0109080486H	螺栓M8×48	BOLT M8×48	2	
RFS150i	8	F11	B0417080004H	自锁螺母M8	NUT M8	2	
RFS150i	9	F11	58010V030001	ECU安装座	ECU FIXING PLATE	1	
RFS150i	9A	F11	58010M510000	ECU安装座组件	ECU FIXING PLATE	1	
RFS150i	10	F11	57590V030000	整流器安装座组件	REGULATOR FIXING PLATE	1	
RFS150i	10A	F11	57590M510000	整流器安装板组件	REGULATOR FIXING PLATE	1	
RFS150i	11	F11	B01090601665	螺栓M6×16	BOLT M6×16	4	
RFS150i	12	F11	58750V030000	蓄电池盒焊接组件	BATTERY FIXING BRACKET ASSY	1	
RFS150i	13	F11	58753V030000	衬套φ8×φ12×30	BUSH φ8×φ12×30	1	
RFS150i	14	F11	B01090602065	螺栓M6×20	BOLT M6×20	2	
RFS150i	15	F11	58752P250000	蓄电池海绵垫	BATTERY SPONGE CUSHION	7	
RFS150i	16	F11	58070V030000	座垫锁安装座	SEAT LOCK FIXING SEAT	1	
RFS150i	17	F11	58800T800100	座垫锁座组件	SAET LOCK BRACKET ASSY	1	
RFS150i	18	F11	B0109060126H	螺栓M6×12	BOLT M6×12	2	
RFS150i	20	F11	B100432007P0	抽芯铆钉3.2×7	REVIT 3.2×7	2	
RFS150i	21	F11	59720V030000	油泵安装板组件	OIL PUMP FIXING BOARD	1	
RFS150i	22	F11	B0205080256H	内六角螺钉M8×25	SCREW M8×25	2	
RFS150i	23	F11	65550V030000	右导流罩支架组件	RIGHT COWLING BRACKET ASSY	1	
RFS150i	24	F11	40680V030100	座垫钢索组件	SEAT LOCK CABLE ASSY	1	
RFS150i	25	F11	40022L210000	线夹	WIRE CLIP	1	
RFS150i	26	F11	43057J000070	主电缆线夹	CLIP	1	

Model	NO.	Position No.	CODE	CN DESCRIPTION	EN DESCRIPTION	Qty/Unit	Remark
RFS150i	27	F11	B0200050122H	螺钉M5×12	SCREW M5×12	2	
RFS150i	28	F11	59410M510000	小继电器安装板组件	SMALL RELAY MOUNTING PLATE	1	
RFS150i	29	F11	57015N100000	车架堵头	PLUG FRAME	2	
RFS150i	30	F11	58430J670000	线夹组件II	CLIP ASSY II	1	
RFS150i	31	F11	65509J000000	海绵缓冲垫	SPONGE CUSHION	1	
RFS150i	32	F11	96001P160000	绑带固定座	BAND FIXING SEAT	7	
RFS150i	33	F11	08010N350000	搭铁螺栓M6×12	EARTH WIRE BOLT M6×12	1	
RFS150i	34	F11	08430P250000	线夹组件	CLIP ASSY	1	
RFS150i	35	F11	43070J670010	离合器线线夹组件	CLUTCH CABLE CLAMP	2	

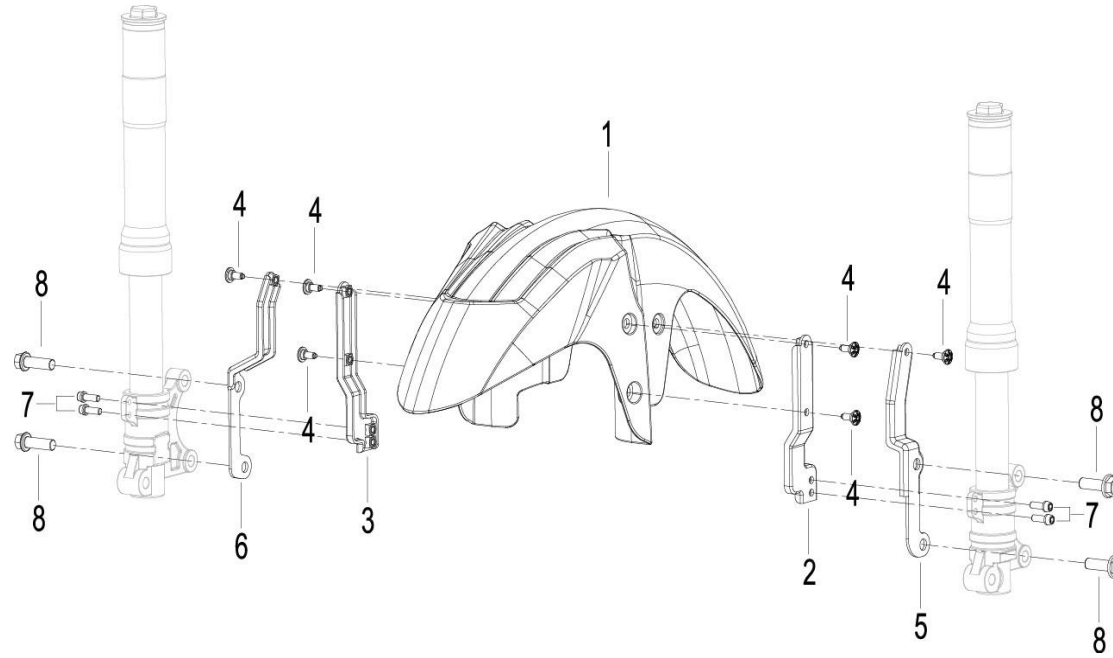


F12 脚蹬 PEDAL ASSY.



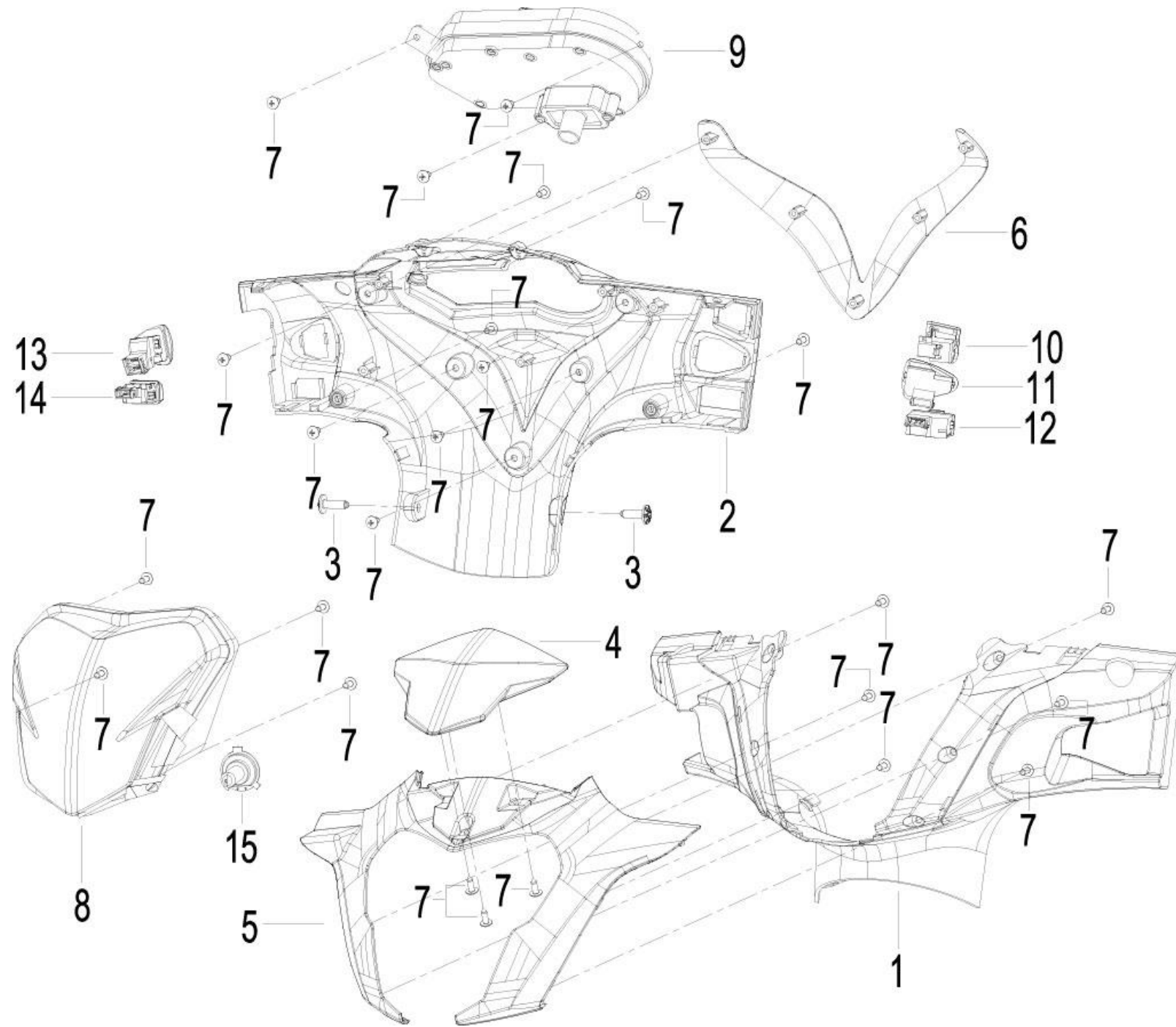
Model	NO.	Position No.	CODE	CN DESCRIPTION	EN DESCRIPTION	Qty/Unit	Remark
RFS150i	1	F12	58610V030000	前踏蹬杆焊接组件	FOOTREST ROD ASSY	1	
RFS150i	2	F12	B0109080166H	螺栓M8×16	BOLT M8×16	4	
RFS150i	3	F12	58220V30002Z	左前脚蹬组件	LEFT FRONT FOOTREST ASSY	1	
RFS150i	4	F12	58240V30002Z	右前脚蹬组件	RIGHT FRONT FOOTREST ASSY	1	
RFS150i	5	F12	58700V030100	单撑焊接组件	SIDE STAND ASSY.	1	
RFS150i	6	F12	57005V030100	单撑固定螺栓M10×1.25×33	BOLT M10×1.25×33	1	
RFS150i	7	F12	57003J040010	单撑拉簧	SIDE STAND SPRING	1	
RFS150i	8	F12	B0417101254H	自锁螺母M10×1.25	NUT M10×1.25	1	
RFS150i	9	F12	58520V030100	中撑焊接组件	MIDDLE STAND ASSY	1	
RFS150i	9	F12	58520V030001	中撑焊接组件	MIDDLE STAND ASSY	1	10mm longer
RFS150i	10	F12	58501V030100	中撑轴	MIDDLE STAND SHAFT	1	
RFS150i	11	F12	B090002025AH	开口销2×25	COTTER PIN 2×25	1	
RFS150i	12	F12	58507J040000	中撑缓冲块	BUFFER BLOCK	1	
RFS150i	13	F12	08025J000000	垫圈φ16	WASHER φ17.5×φ26×2.5	1	
RFS150i	14	F12	57003T090202	单撑弹簧 I	SIDE STAND SPRING(FOR MIDDLE STAND)	1	
RFS150i	15	F12	58260V030000	左后脚蹬组件	LEFT REAR FOOTREST ASSY	1	
RFS150i	15	F12	58260V03B100	左后脚蹬组件(黑闪金B1支架)	LEFT REAR FOOTREST ASSY,BLACK B1	1	
RFS150i	15	F12	58260V03U600	左后脚蹬组件(晶彩绿U6)	LEFT REAR FOOTREST ASSY,GREEN U6	1	
RFS150i	16	F12	58280V030000	右后脚蹬组件	RIGHT REAR FOOTREST ASSY	1	
RFS150i	16	F12	58280V03B100	右后脚蹬组件(黑闪金B1支架)	RIGHT REAR FOOTREST ASSY,BLACK B1	1	
RFS150i	16	F12	58280V03U600	右后脚蹬组件(晶彩绿U6)	RIGHT REAR FOOTREST ASSY,GREEN U6	1	
RFS150i	17	F12	B0107080206H	螺栓M8×20	BOLT M8×20	4	
RFS150i	18	F12	58213V030000	销轴	PIN SHAFT	2	
RFS150i	19	F12	B090002025AH	开口销2×25	COTTER PIN 2×25	2	
RFS150i	20	F12	58202V300000	直臂扭转弹簧	SPRING	2	
RFS150i	21	F12	B0703000080H	垫圈φ8	WASHER φ8	2	

F13 前挡泥板 FRONT FENDER



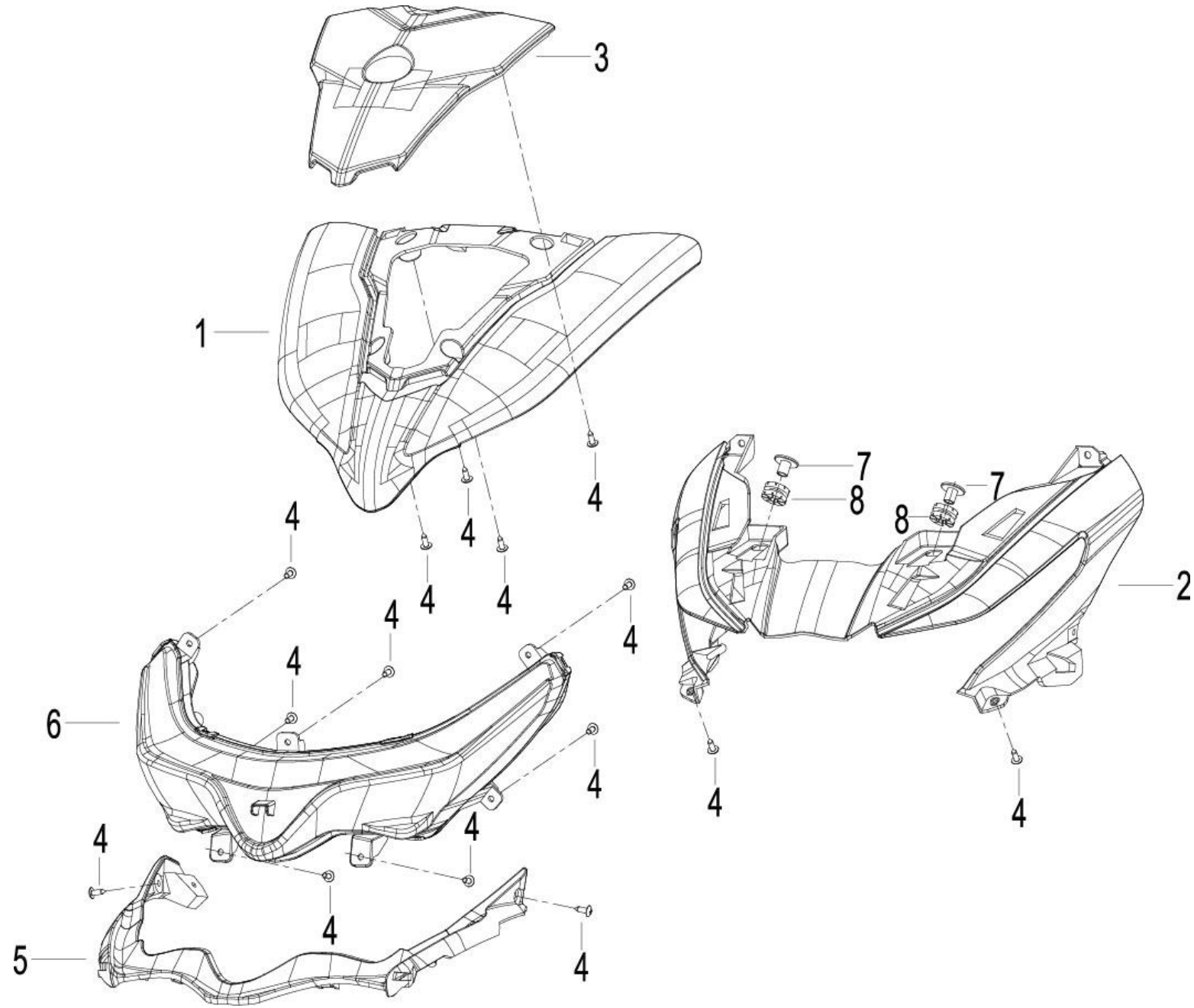
Model	NO.	Position No.	CODE	CN DESCRIPTION	EN DESCRIPTION	Qty/Unit	Remark
RFS150i	1	F13	65101V03BA00	前挡泥板(平光银黑BA)	FRONT FENDER,SATIN BLACK BA	1	
RFS150i	1	F13	65101V03BC00	前挡泥板(石墨墨BC)	FRONT FENDER,GRAPHITE BLACK BC	1	
RFS150i	1	F13	65101V03F900	前挡泥板(TNT2#红F9)	FRONT FENDER,RED F9	1	
RFS150i	1	F13	65101V03E400	前挡泥板(银蓝E4)	FRONT FENDER,BLUE E4	1	
RFS150l	1	F13	65101V03YP00	前挡泥板(温莎黄YP)	FRONT FENDER,YELLOW YP	1	
RFS150l	1	F13	65101V030010	前挡泥板(TNT2#绿GT+石墨黑BC)	FRONT FENDER,GREEN/GRAPHITE BLACK BC	1	
RFS150l	1	F13	65101V03001Z	前挡泥板(黑闪金B1)带贴花	FRONT FENDER,BLACK B1,WITH STICKER - NEW DESIGN	1	
RFS150l	1	F13	65101V03002Z	前挡泥板(五羊透明红R2)带贴花	FRONT FENDER,RED R2,WITH STICKER - NEW DESIGN	1	
RFS150l	1	F13	65101V03003Z	前挡泥板(深西兰K9)带贴花	FRONT FENDER,BLUE K9,WITH STICKER - NEW DESIGN	1	
RFS150i	2	F13	65140V030000	前泥板左前支架组件	FRONT LEFT BRACKET,FRONT FENDER	1	
RFS150i	3	F13	65130V030000	前泥板右前支架组件	FRONT RIGHT BRACKET,FRONT FENDER	1	
RFS150i	4	F13	B0284060150A	花型螺钉M6×15.2	SCREW M6×15.2	6	
RFS150i	5	F13	65150V030000	前泥板左后支架组件	REAR LEFT BRACKET,FRONT FENDER	4	
RFS150i	6	F13	65160V030000	前泥板右后支架组件	REAR RIGHT BRACKET,FRONT FENDER	2	
RFS150i	7	F13	08001K670000	内六角螺钉M6×16	SCREW M6×16	4	
RFS150i	8	F13	B0159100306H	螺栓M10×1.25×30	BOLT M10×1.25×30	4	

F14 龙头护罩 HANDLE COVER ASSY.



Model	NO.	Position No.	CODE	CN DESCRIPTION	EN DESCRIPTION	Qty/Unit	Remark
RFS150I	1	F14	65201V03BC00	龙头前护罩(石墨黑BC)	FRONT HANDLE COVER,GRAPHITE BLACK BC	1	
RFS150I	1	F14	65201V03BA00	龙头前护罩(平光银黑BA)	FRONT HANDLE COVER,SATIN BLACK BA	1	
RFS150I	1	F14	65201V03B100	龙头前护罩(黑闪金B1)	FRONT HANDLE COVER,BLACK B1 - NEW DESIGN	1	
RFS150I	1	F14	65201V03R200	龙头前护罩(五羊透明红R2)	FRONT HANDLE COVER,RED R2 - NEW DESIGN	1	
RFS150I	1	F14	65201V03K900	龙头前护罩(深西兰K9)	FRONT HANDLE COVER,BLUE K9 - NEW DESIGN	1	
RFS150I	2	F14	65202V030000	龙头后护罩	REAR HANDLE COVER	1	
RFS150I	3	F14	B01090602065	螺钉M6x20	BOLT M6X20	2	
RFS150I	4	F14	65203V03B200	速度表遮阳板(珍珠黑B2)	METER VISOR,BLACK B2	1	
RFS150I	4	F14	65203V03001Z	速度表遮阳板(珍珠黑B2)带贴花	METER VISOR,BLACK B2,WITH STICKER	1	
RFS150I	4	F14	65203V03002Z	速度表遮阳板(黑闪金B1)带贴花	METER VISOR,BLACK B1,WITH STICKER - NEW DESIGN	1	
RFS150I	5	F14	65215V03BA00	龙头前罩装饰板(平光银黑BA)	FRONT DECORATIVE BOARD,SATIN BLACK BA	1	
RFS150I	5	F14	65215V03BC00	龙头前罩装饰板(石墨黑BC)	FRONT DECORATIVE BOARD,GRAPHITE BLACK BC	1	
RFS150I	5	F14	65215V03F900	龙头前罩装饰板(TNT2#红F9)	FRONT DECORATIVE BOARD,RED F9	1	
RFS150I	5	F14	65215V03E400	龙头前罩装饰板(银蓝E4)	FRONT DECORATIVE BOARD,BLUE E4	1	
RFS150I	5	F14	65215V03YP00	龙头前罩装饰板(温莎黄YP)	FRONT DECORATIVE BOARD,YELLOW YP	1	
RFS150I	5	F14	65215V03WF00	龙头前罩装饰板(DBS白WF)	FRONT DECORATIVE BOARD,WHITE WF	1	
RFS150I	5	F14	65215V03007Z	龙头前罩装饰板(黑闪金B1)带贴花	FRONT DECORATIVE BOARD,BLACK B1,WITH STICKER - new design	1	
RFS150I	5	F14	65215V03008Z	龙头前罩装饰板(五羊透明红R2)带贴花	FRONT DECORATIVE BOARD,RED R2,WITH STICKER - new design	1	
RFS150I	5	F14	65215V03009Z	龙头前罩装饰板(深西兰K9)带贴花	FRONT DECORATIVE BOARD,BLUE K9,WITH STICKER - new design	1	
RFS150I	6	F14	65216V03BC00	龙头后罩装饰板(石墨黑BC)	REAR DECORATIVE BOARD,GRAPHITE BLACK BC	1	
RFS150I	6	F14	65216V03B100	龙头后罩装饰板(黑闪金B1)	REAR DECORATIVE BOARD, BLACK B1 - new design	1	
RFS150I	7	F14	B0507420130H	自攻螺钉ST4.2x13	SCREW ST4.2x13	25	
RFS150I	8	F14	80000V030010	前照灯(防雾)	HEADLIGHT ASSY.	1	
RFS150I	9	F14	70000V030000	仪表总成	SPEEDOMETER ASSY	1	
RFS150I	10	F14	91130V030000	变光开关	DIMMER SWITCH	1	
RFS150I	11	F14	91110V030000	喇叭开关	HORN SWITCH	1	
RFS150I	12	F14	91120V030000	转向开关	TURN SIGNAL SWITCH	1	
RFS150I	13	F14	91160V030000	警示开关	WARING SWITCH	1	
RFS150I	14	F14	91140V030000	启动开关	STARTER BUTTON	1	
RFS150I	15	F14	B240103200F0	12V35/35W三角盘卤钨	BULB 12V35/35W	1	

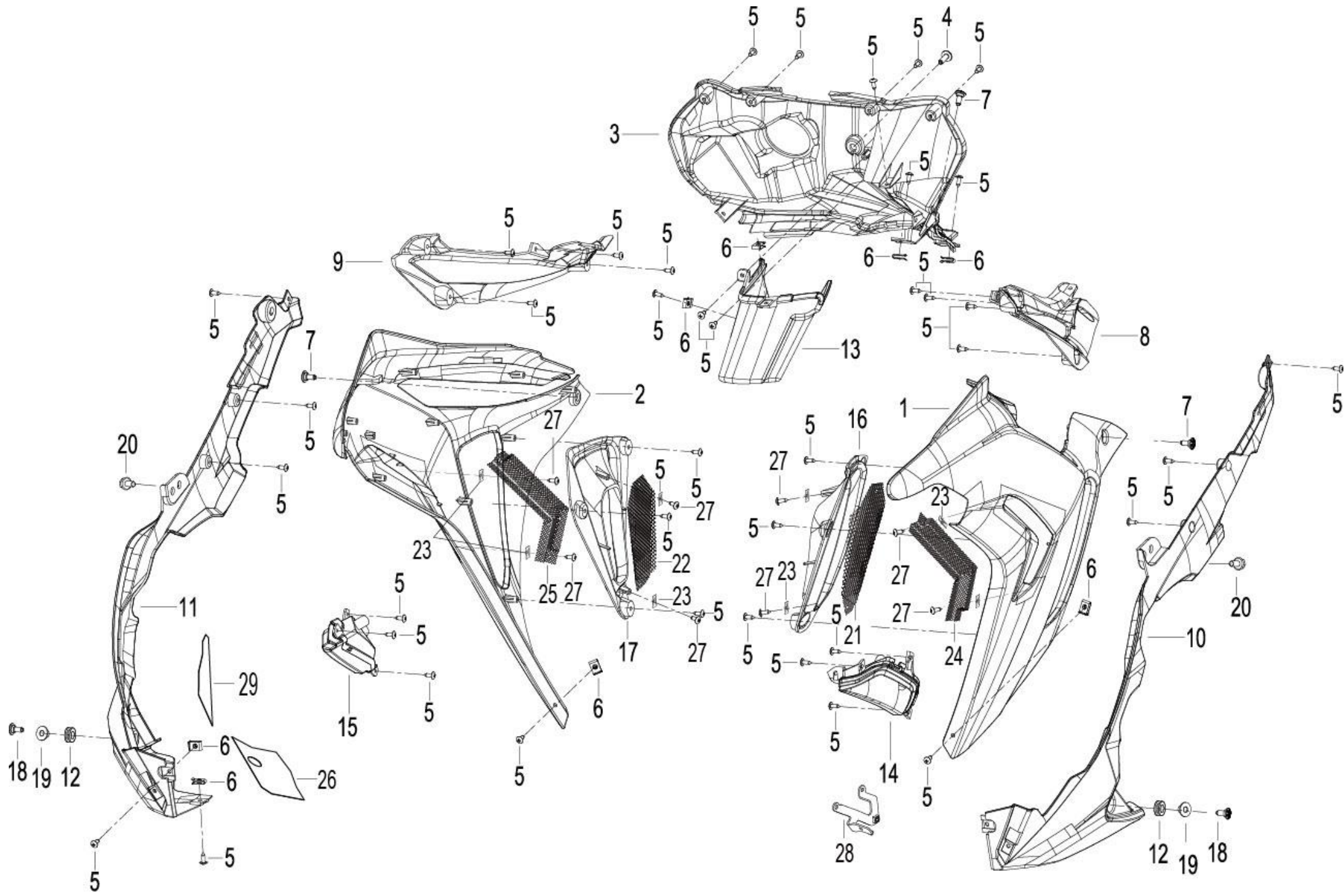
F15 前大罩 FRONT FACEPLATE





Model	NO.	Position No.	CODE	CN DESCRIPTION	EN DESCRIPTION	Qty/Unit	Remark
RFS150I	1	F15	65301V03BA00	前大罩面板(平光银黑BA)	FRONT FACEPLATE,SATIN BLACK BA	1	
RFS150I	1	F15	65301V03BC00	前大罩面板(石墨墨BC)	FRONT FACEPLATE,GRAPHITE BLACK BC	1	
RFS150I	1	F15	65301V03F900	前大罩面板(TNT2#红F9)	FRONT FACEPLATE,RED F9	1	
RFS150I	1	F15	65301V03E400	前大罩面板(银蓝E4)	FRONT FACEPLATE,BLUE E4	1	
RFS150I	1	E15	65301V03WF00	前大罩面板(DBS白WF)	FRONT FACEPLATE,WHITE WF	1	
RFS150I	1	F15	65301V03001Z	前大罩面板(平光银黑BA)带贴花	FRONT FACEPLATE,SATIN BLACK BA,WITH STICKER	1	
RFS150I	1	F15	65301V03002Z	前大罩面板(石墨墨BC)带贴花	FRONT FACEPLATE,GRAPHITE BLACK BC,WITH STICKER	1	
RFS150I	1	F15	65301V03003Z	前大罩面板(TNT2#红F9)带贴花	FRONT FACEPLATE,RED F9,WITH STICKER	1	
RFS150I	1	F15	65301V03004Z	前大罩面板(银蓝E4)带贴花	FRONT FACEPLATE,BLUE E4,WITH STICKER	1	
RFS150I	1	F15	65301V03006Z	前大罩面板(DBS白WF)带贴花	FRONT FACEPLATE,WHITE WF,WITH STICKER	1	
RFS150I	1	F15	65301V03007Z	前大罩面板(黑闪金B1)带贴花	FRONT FACEPLATE,BLACK B1,WITH STICKER - new design	1	
RFS150I	1	F15	65301V03008Z	前大罩面板(五羊透明红R2)带贴花	FRONT FACEPLATE,RED R2,WITH STICKER - new design	1	
RFS150I	1	F15	65301V03009Z	前大罩面板(深西兰K9)带贴花	FRONT FACEPLATE,BLUE K9,WITH STICKER - new design	1	
RFS150I	2	F15	65302V03BA00	前大罩底板(平光银黑BA)	FRONT FACEPLATE BOTTOM BOARD,SATIN BLACK BA	1	
RFS150I	2	F15	65302V03BC00	前大罩底板(石墨墨BC)	FRONT FACEPLATE BOTTOM BOARD,GRAPHITE BLACK BC	1	
RFS150I	2	F15	65302V03F900	前大罩底板(TNT2#红F9)	FRONT FACEPLATE BOTTOM BOARD,RED F9	1	
RFS150I	2	F15	65302V03E400	前大罩底板(银蓝E4)	FRONT FACEPLATE BOTTOM BOARD,BLUE E4	1	
RFS150I	2	F15	65302V03WF00	前大罩底板(DBS白WF)	FRONT FACEPLATE BOTTOM BOARD,WHITE WF	1	
RFS150I	2	F15	65302V03001Z	前大罩底板(平光银黑BA)带贴花	FRONT FACEPLATE BOTTOM BOARD,SATIN BLACK BA,WITH STICKER	1	
RFS150I	2	F15	65302V03002Z	前大罩底板(石墨墨BC)带贴花	FRONT FACEPLATE BOTTOM BOARD,GRAPHITE BLACK BC,WITH STICKER	1	
RFS150I	2	F15	65302V03003Z	前大罩底板(TNT2#红F9)带贴花	FRONT FACEPLATE BOTTOM BOARD,RED F9,WITH STICKER	1	
RFS150I	2	F15	65302V03004Z	前大罩底板(银蓝E4)带贴花	FRONT FACEPLATE BOTTOM BOARD,BLUE E4,WITH STICKER	1	
RFS150I	2	F15	65302V03006Z	前大罩底板(DBS白WF)带贴花	FRONT FACEPLATE BOTTOM BOARD,WHITE WF,WITH STICKER	1	
RFS150I	2	F15	65302V03B100	前大罩底板(黑闪金B1)	FRONT FACEPLATE BOTTOM BOARD,BLACK B1,WITHOUT STICKER - new design	1	
RFS150I	3	F15	65303V03BC00	前大罩面板装饰板(石墨墨BC)	DECORATIVE BOARD,GRAPHITE BLACK BC	1	
RFS150I	3	F15	65303V03B100	前大罩面板装饰板(黑闪金B1)	DECORATIVE BOARD,BLACK B1,WITHOUT STICKER - new design	1	
RFS150I	4	F15	B0507420130H	自攻螺钉ST4.2x13	SCREW ST4.2x13	15	
RFS150I	5	F15	65315V030000	前大罩托罩	FRONT FACEPLATE SUPORT BOARD	1	
RFS150I	5	F15	65315V030010	前大罩托罩(碳纤维效果)	FRONT FACEPLATE SUPORT BOARD - new design	1	
RFS150I	6	F15	80900V030010	前夜灯(喷防雾漆)	FRONT EVE LIGHT	1	
RFS150I	7	F15	08305J040000	支架上垫衬套	T BUSH	2	
RFS150I	8	F15	65618J820000	护板橡胶垫	RUBBER CUSHION	2	

F16 脚防护板 FOOT PROTECT COVER

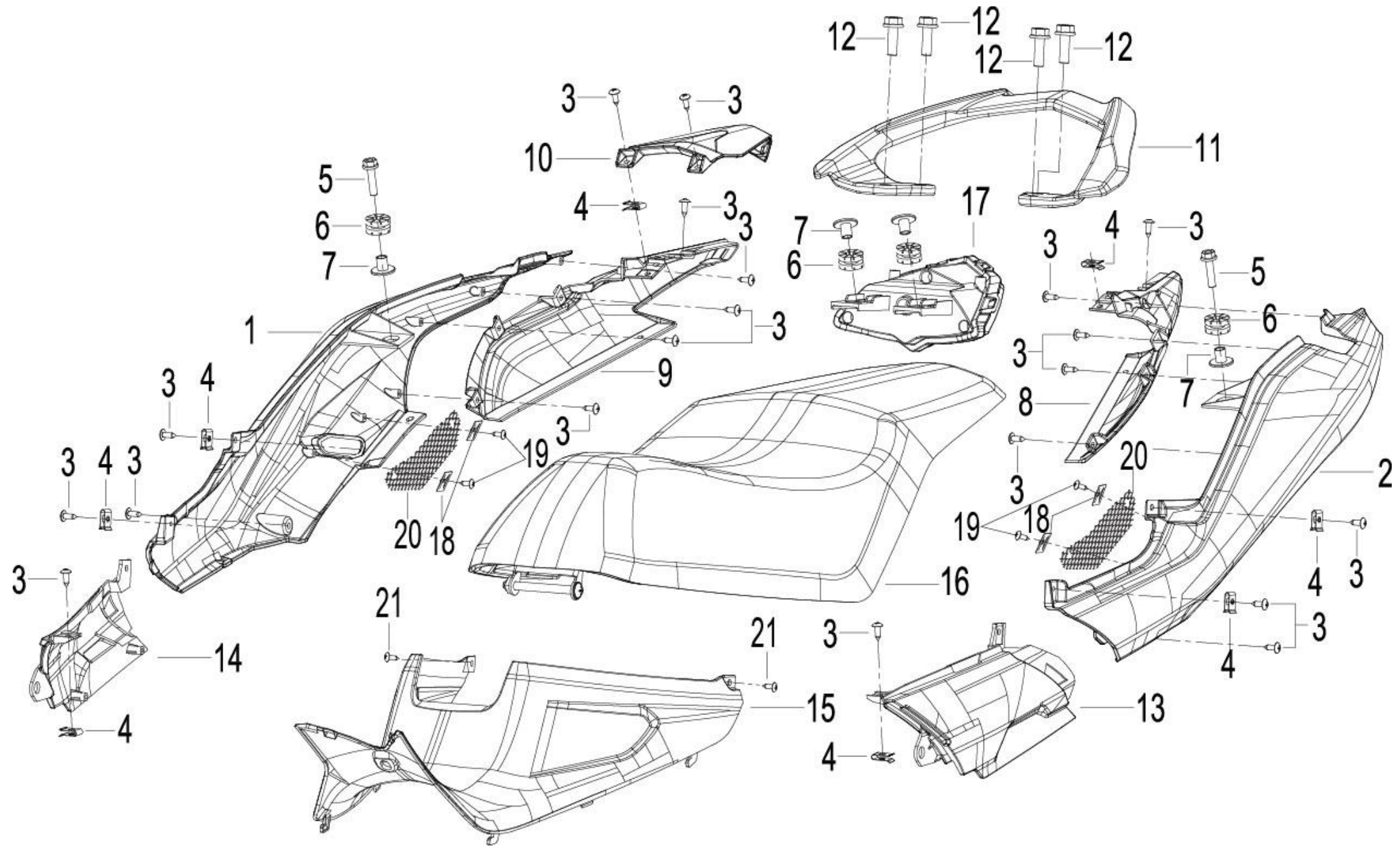


Model	NO.	Position No.	CODE	CN DESCRIPTION	EN DESCRIPTION	Qty/Unit	Remark
RFS150i	1	F16	65402V03BA00	左脚防护板(平光银黑BA)	LEFT FOOT PROTECT COVER,SATIN BLACK BA	1	
RFS150i	1	F16	65402V03BC00	左脚防护板(石墨墨BC)	LEFT FOOT PROTECT COVER,GRAPHITE BLACK BC	1	
RFS150i	1	F16	65402V03F900	左脚防护板(TNT2#红F9)	LEFT FOOT PROTECT COVER,RED F9	1	
RFS150i	1	F16	65402V03E400	左脚防护板(银蓝E4)	LEFT FOOT PROTECT COVER,BLUE E4	1	
RFS150I	1	F16	65402V03WF00	左脚防护板(DBS白WF)	LEFT FOOT PROTECT COVER,WHITE WF	1	
RFS150i	1	F16	65402V03001Z	左脚防护板(平光银黑BA)带贴花	LEFT FOOT PROTECT COVER,SATIN BLACK BA,WITH STICKER	1	
RFS150i	1	F16	65402V03002Z	左脚防护板(石墨墨BC)带贴花	LEFT FOOT PROTECT COVER,GRAPHITE BLACK BC,WITH STICKER	1	
RFS150i	1	F16	65402V03003Z	左脚防护板(TNT2#红F9)带贴花	LEFT FOOT PROTECT COVER,RED F9,WITH STICKER	1	
RFS150i	1	F16	65402V03004Z	左脚防护板(银蓝E4)带贴花	LEFT FOOT PROTECT COVER,BLUE E4,WITH STICKER	1	
RFS150i	1	F16	65402V03007Z	左脚防护板(黑闪金B1)带贴花	LEFT FOOT PROTECT COVER,BLACK B1,WITH STICKER - new design	1	
RFS150i	1	F16	65402V03008Z	左脚防护板(五羊透明红R2)带贴花	LEFT FOOT PROTECT COVER,RED R2,WITH STICKER - new design	1	
RFS150i	1	F16	65402V03009Z	左脚防护板(深西兰K9)带贴花	LEFT FOOT PROTECT COVER,BLUE K9,WITH STICKER - new design	1	
RFS150i	2	F16	65422V03BA00	右脚防护板(平光银黑BA)	RIGHT FOOT PROTECT COVER,SATIN BLACK BA	1	
RFS150i	2	F16	65422V03BC00	右脚防护板(石墨墨BC)	RIGHT FOOT PROTECT COVER,GRAPHITE BLACK BC	1	
RFS150i	2	F16	65422V03F900	右脚防护板(TNT2#红F9)	RIGHT FOOT PROTECT COVER,RED F9	1	
RFS150i	2	F16	65422V03E400	右脚防护板(银蓝E4)	RIGHT FOOT PROTECT COVER,BLUE E4	1	
RFS150I	2	F16	65422V03WF00	右脚防护板(DBS白WF)	RIGHT FOOT PROTECT COVER,WHITE WF	1	
RFS150i	2	F16	65422V03001Z	右脚防护板(平光银黑BA)带贴花	RIGHT FOOT PROTECT COVER,SATIN BLACK BA,WITH STICKER	1	
RFS150i	2	F16	65422V03002Z	右脚防护板(石墨墨BC)带贴花	RIGHT FOOT PROTECT COVER,GRAPHITE BLACK BC,WITH STICKER	1	
RFS150i	2	F16	65422V03003Z	右脚防护板(TNT2#红F9)带贴花	RIGHT FOOT PROTECT COVER,RED F9,WITH STICKER	1	
RFS150i	2	F16	65422V03004Z	右脚防护板(银蓝E4)带贴花	RIGHT FOOT PROTECT COVER,BLUE E4,WITH STICKER	1	
RFS150i	2	F16	65422V03007Z	右脚防护板(黑闪金B1)带贴花	RIGHT FOOT PROTECT COVER,BLACK B1,WITH STICKER - new design	1	
RFS150i	2	F16	65422V03008Z	右脚防护板(五羊透明红R2)带贴花	RIGHT FOOT PROTECT COVER,RED R2,WITH STICKER - new design	1	
RFS150i	2	F16	65422V03009Z	右脚防护板(深西兰K9)带贴花	RIGHT FOOT PROTECT COVER,BLUE K9,WITH STICKER - new design	1	
RFS150i	3	F16	65419V03BC00	脚防护板护罩(石墨墨BC)	FOOT PROTECT COVER,GRAPHITE BLACK BC	1	
RFS150i	3	F16	65419V03001Z	脚防护板护罩(石墨墨BC)带贴花	FOOT PROTECT COVER,GRAPHITE BLACK BC,WITH STICKER	1	
RFS150i	3	F16	65419V03B100	脚防护板护罩(黑闪金B1)	RIGHT FOOT PROTECT COVER,BLACK B1 - new design	1	
RFS150i	4	F16	B01090602065	螺钉M6x20	SCREW M6x20	1	
RFS150i	5	F16	B0507420130H	自攻螺钉ST4.2x13	TAPPING SCREW ST4.2x13	42	

Model	NO.	Position No.	CODE	CN DESCRIPTION	EN DESCRIPTION	Qty/Unit	Remark
RFS150i	6	F16	65801T850100	卡片ST4.2	INSERT ST4.2	8	
RFS150i	7	F16	B0284060150A	花型螺钉M6×15.2	SCREW M6×15.2	3	
RFS150i	8	F16	65408V030000	左脚防护板装饰板	LEFT DECORATIVE BOARD	1	
RFS150i	9	F16	65409V030000	右脚防护板装饰板	RIGHT DECORATIVE BOARD	1	
RFS150i	10	F16	65406V030000	左发动机导流罩	ENGINE LEFT COWLING	1	
RFS150i	11	F16	65407V030000	右发动机导流罩	ENGINE RIGHT COWLING	1	
RFS150i	12	F16	47028G220000	橡胶套	RUBBER SLEEVE	2	
RFS150i	13	F16	65321V030000	前置物盒	BOX	1	
RFS150i	14	F16	81100V030000	前左转向灯	FRONT LEFT TURN SIGNAL LIGHT	1	
RFS150i	15	F16	81300V030000	前右转向灯	FRONT RIGHT TURN SIGNAL LIGHT	1	
RFS150i	16	F16	65305V03HT00	左出风口(钱江灰HT)	LEFT AIR OUTLET,GREY HT	1	
RFS150i	17	F16	65306V03HT00	右出风口(钱江灰HT)	RIGHT AIR OUTLET,GREY HT	1	
RFS150i	18	F16	B01090602065	螺钉M6×20	SCREW M6×20	2	
RFS150i	19	F16	270975050000	衬套	BUSH	2	
RFS150i	20	F16	B0109060126H	螺栓M6×12	BOLT M6×12	2	
RFS150i	21	F16	65307V030000	左出风口铁丝网	LEFT BARBED WIRE	1	
RFS150i	22	F16	65308V030000	右出风口铁丝网	RIGHT BARBED WIRE	1	
RFS150i	23	F16	65311B910000	卡片	CARD	8	
RFS150i	24	F16	65436V030000	左脚防护板铁丝网	LEFT FOOT PROTECT COVER BARBED WIRE	1	
RFS150i	25	F16	65437V030000	右脚防护板铁丝网	RIGHT FOOT PROTECT COVER BARBED WIRE	1	
RFS150i	26	F16	65439L260000	右发动机导流罩隔热垫II	INSULATION MAT II	1	
RFS150i	27	F16	B0507420100H	自攻螺钉ST4.2×9.5	SCREW ST4.2×9.5	8	
RFS150i	28	F16	65430V030000	左下联接板组件	BRACKET ASSY	1	
RFS150i	29	F16	65438L260000	右发动机导流罩隔热垫 I	INSULATION MAT I	1	



F17 护板 SIDE COVER ASSY.

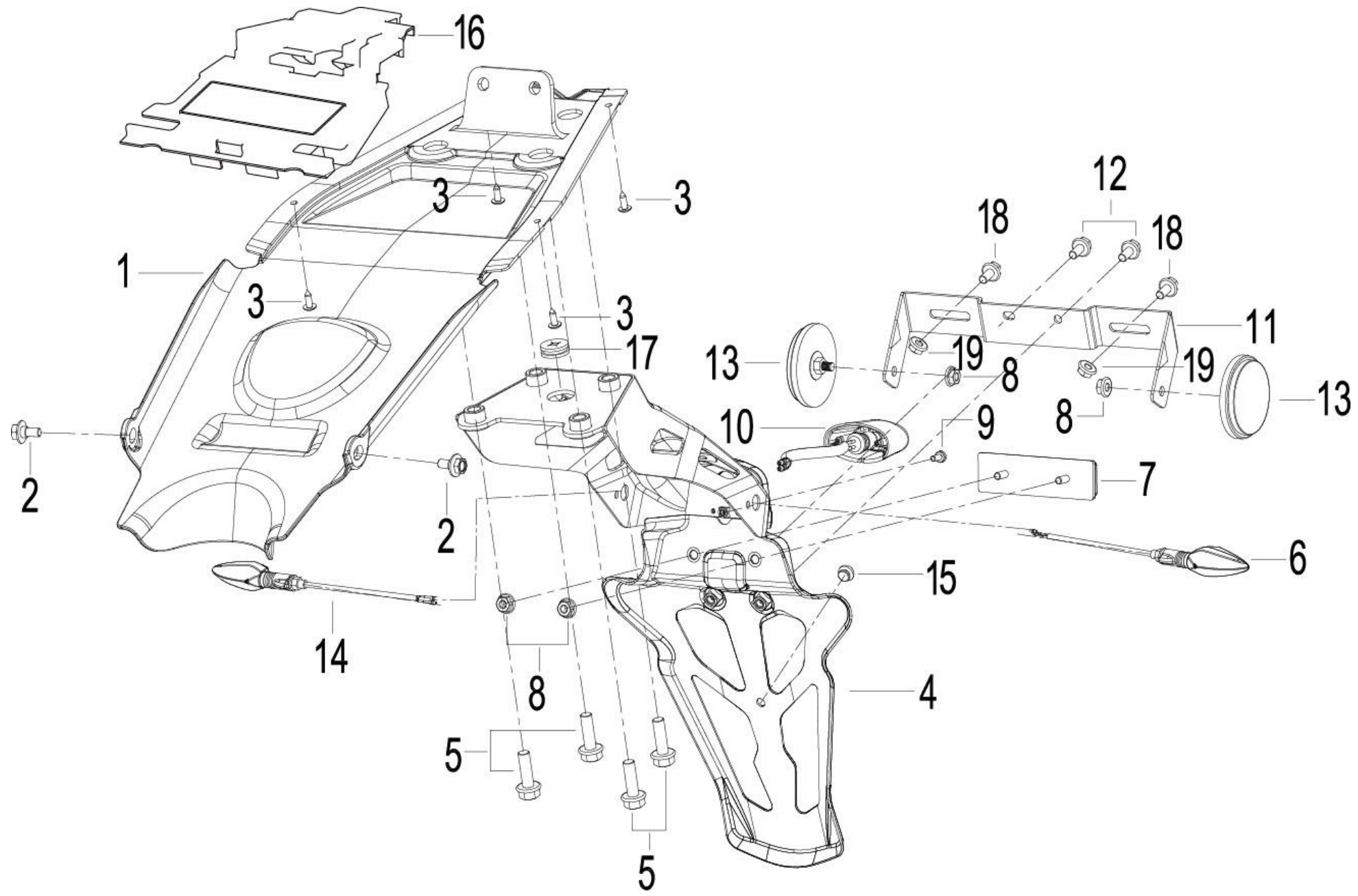


Model	NO.	Position No.	CODE	CN DESCRIPTION	EN DESCRIPTION	Qty/Unit	Remark
RFS150i	1	F17	65602V03BA00	右护板(平光银黑BA)	RIGHT SIDE COVER,SATIN BLACK BA	1	
RFS150i	1	F17	65602V03001Z	右护板(平光银黑BA)带贴花	RIGHT SIDE COVER,SATIN BLACK BA,WITH STICKER (MATT/RED)	1	
RFS150i	1	F17	65602V03002Z	右护板(平光银黑BA)带贴花	RIGHT SIDE COVER,SATIN BLACK BA,WITH STICKER (GRAPHITE)	1	
RFS150i	1	F17	65602V03003Z	右护板(平光银黑BA)带贴花	RIGHT SIDE COVER,SATIN BLACK BA,WITH STICKER (BLUE)	1	
RFS150l	1	F17	65602V03004Z	右护板(DBS白WF)带贴花	RIGHT SIDE COVER,WHITE WF,WITH STICKER	1	
RFS150l	1	F17	65602V03009Z	右护板(五羊透明红R2)带贴花	RIGHT SIDE COVER,RED R2,WITH STICKER	1	
RFS150l	1	F17	65602V03008Z	右护板(黑闪金B1)带贴花	RIGHT SIDE COVER,BLACK B1,WITH STICKER	1	
RFS150l	1	F17	65602V03010Z	右护板(深西兰K9)带贴花	RIGHT SIDE COVER,BLUE K9,WITH STICKER	1	
RFS150i	2	F17	65601V03BA00	左护板(平光银黑BA)	LEFT SIDE COVER,SATIN BLACK BA	1	
RFS150i	2	F17	65601V03001Z	左护板(平光银黑BA)带贴花	LEFT SIDE COVER,SATIN BLACK BA,WITH STICKER (MATT/RED)	1	
RFS150i	2	F17	65601V03002Z	左护板(平光银黑BA)带贴花	LEFT SIDE COVER,SATIN BLACK BA,WITH STICKER (GRAPHITE)	1	
RFS150i	2	F17	65601V03003Z	左护板(平光银黑BA)带贴花	LEFT SIDE COVER,SATIN BLACK BA,WITH STICKER (BLUE)	1	
RFS150l	2	F17	65601V03004Z	左护板(DBS白WF)带贴花	LEFT SIDE COVER,WHITE WF,WITH STICKER	1	
RFS150l	2	F17	65601V03009Z	左护板(五羊透明红R2)带贴花	LEFT SIDE COVER,RED R2,WITH STICKER	1	
RFS150l	2	F17	65601V03008Z	左护板(黑闪金B1)带贴花	LEFT SIDE COVER,BLACK B1,WITH STICKER	1	
RFS150l	2	F17	65601V03010Z	左护板(深西兰K9)带贴花	LEFT SIDE COVER,BLUE K9,WITH STICKER	1	
RFS150i	3	F17	B0507420130H	自攻螺钉ST4.2x13	SCREW ST4.2x13	20	
RFS150i	4	F17	65801T850100	卡片ST4.2	INSERT ST4.2	8	
RFS150i	5	F17	B0109060606H	螺栓M6x60	BOLT M6x60	2	
RFS150i	6	F17	65618J820000	护板橡胶垫	RUBBER CUSHION	4	
RFS150i	7	F17	08305J040000	支架上垫衬套	T BUSH	4	
RFS150i	8	F17	65901V030000	左尾罩	LEFT TAIL COVER	1	
RFS150i	9	F17	65902V030000	右尾罩	RIGHT TAIL COVER	1	
RFS150i	10	F17	65606V03BA00	左右尾罩后联接板(平光银黑BA)	TAIL COVER CONNECT BOARD,SATIN BLACK BA	1	
RFS150i	10	F17	65606V03002Z	左右尾罩后联接板(DBS白WF)带贴花	TAIL COVER CONNECT BOARD,WHITE WF,WITH STICKER	1	
RFS150i	10	F17	65606V03R200	左右尾罩后联接板(五羊透明红R2)	TAIL COVER CONNECT BOARD,RED R2,WITHOUT STICKER	1	
RFS150i	10	F17	65606V03B100	左右尾罩后联接板(黑闪金B1)	TAIL COVER CONNECT BOARD,BLACK B1,WITHOUT STICKER	1	
RFS150i	10	F17	65606V03K900	左右尾罩后联接板(深西兰K9)	TAIL COVER CONNECT BOARD,BLUE K9,WITHOUT STICKER	1	
RFS150i	11	F17	52002V03YP00	后扶手(温莎黄YP)	GRAB RAIL,YELLOW YP	1	



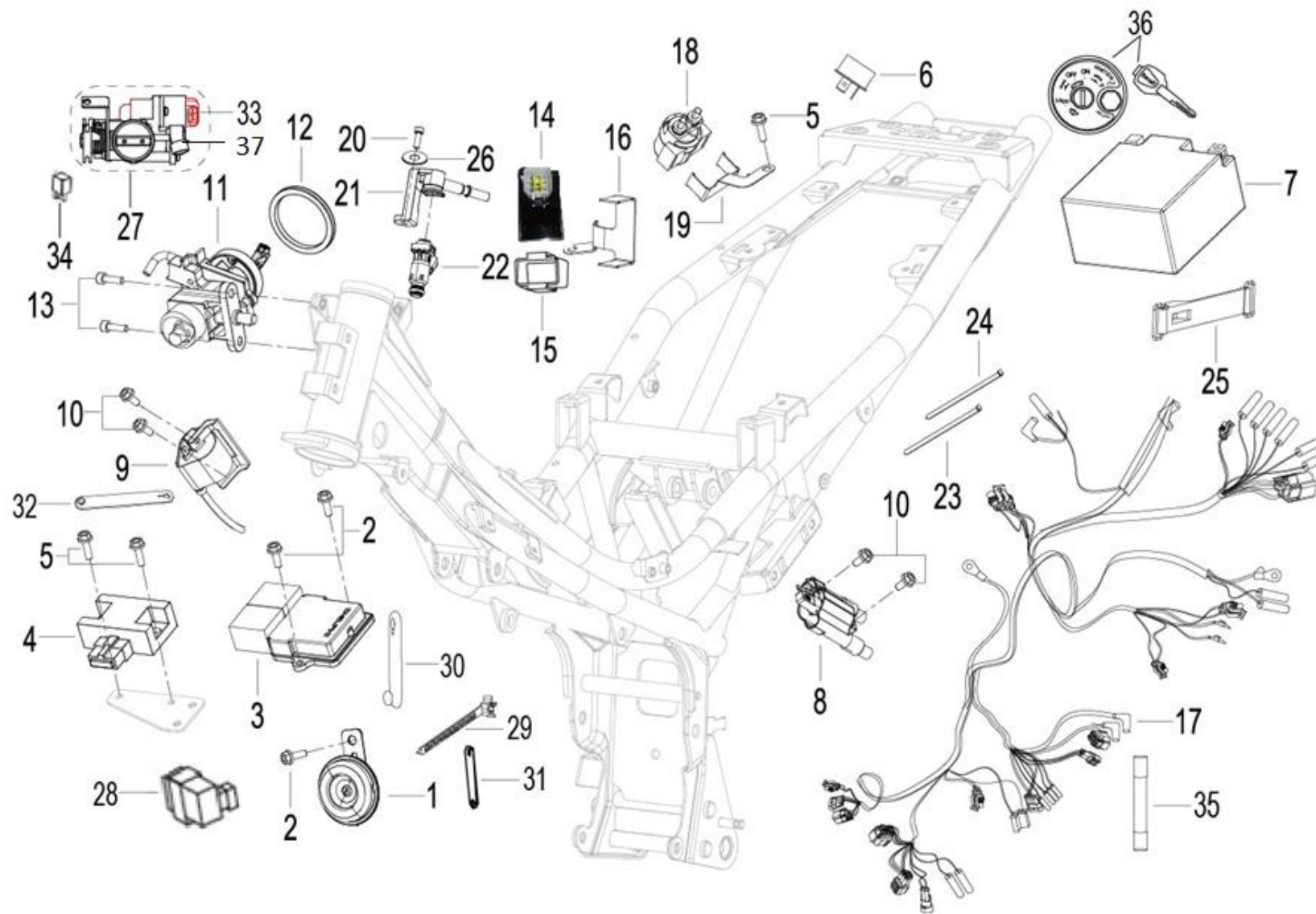
Model	NO.	Position No.	CODE	CN DESCRIPTION	EN DESCRIPTION	Qty/Unit	Remark
RFS150i	11	F17	52002V03F900	后扶手(TNT2#红F9)	GRAB RAIL,RED F9	1	
RFS150i	11	F17	52002V03E400	后扶手(银蓝E4)	GRAB RAIL,BLUE E4	1	
RFS150i	11	F17	52002V03B100	后扶手(黑闪金B1)	GRAB RAIL,BLACK B1	1	
RFS150i	11	F17	52002V03U600	后扶手(PU晶彩绿U6)	GRAB RAIL,GREEN U6	1	
RFS150i	12	F17	B0109080256H	螺栓M8x25	BOLT M8x25	4	
RFS150i	13	F17	65603V03BA00	左前护板(平光银黑BA)	LEFT FRONT SIDE COVER,SATIN BLACK BA	1	
RFS150i	13	F17	65603V03001Z	左前护板(平光银黑BA)带贴花	LEFT FRONT SIDE COVER,SATIN BLACK BA,WITH STICKER (MATT/RED)	1	
RFS150i	13	F17	65603V03002Z	左前护板(平光银黑BA)带贴花	LEFT FRONT SIDE COVER,SATIN BLACK BA,WITH STICKER (GRAPHITE)	1	
RFS150i	13	F17	65603V03003Z	左前护板(平光银黑BA)带贴花	LEFT FRONT SIDE COVER,SATIN BLACK BA,WITH STICKER (BLUE)	1	
RFS150i	13	F17	65603V03004Z	左前护板(DBS白WF)带贴花	LEFT FRONT SIDE COVER,WHITE WF,WITH STICKER	1	
RFS150i	13	F17	65603V03006Z	左前护板(平光银黑BA)带贴花	LEFT FRONT SIDE COVER,SATIN BLACK BA,WITH STICKER - RED	1	
RFS150i	13	F17	65603V03005Z	左前护板(平光银黑BA)带贴花	LEFT FRONT SIDE COVER,SATIN BLACK BA,WITH STICKER - BLACK	1	
RFS150i	13	F17	65603V03007Z	左前护板(平光银黑BA)带贴花	LEFT FRONT SIDE COVER,SATIN BLACK BA,WITH STICKER - BLUE	1	
RFS150i	14	F17	65604V03BA00	右前护板(平光银黑BA)	RIGHT FRONT SIDE COVER,SATIN BLACK BA	1	
RFS150i	14	F17	65604V03001Z	右前护板(平光银黑BA)带贴花	RIGHT FRONT SIDE COVER,SATIN BLACK BA,WITH STICKER (MATT/RED)	1	
RFS150i	14	F17	65604V03002Z	右前护板(平光银黑BA)带贴花	RIGHT FRONT SIDE COVER,SATIN BLACK BA,WITH STICKER (GRAPHITE)	1	
RFS150i	14	F17	65604V03003Z	右前护板(平光银黑BA)带贴花	RIGHT FRONT SIDE COVER,SATIN BLACK BA,WITH STICKER (BLUE)	1	
RFS150i	14	F17	65604V03004Z	右前护板(DBS白WF)带贴花	RIGHT FRONT SIDE COVER,WHITE WF,WITH STICKER	1	
RFS150i	14	F17	65604V03006Z	右前护板(平光银黑BA)带贴花	RIGHTFRONT SIDE COVER,SATIN BLACK BA,WITH STICKER - RED	1	
RFS150i	14	F17	65604V03005Z	右前护板(平光银黑BA)带贴花	RIGHTFRONT SIDE COVER,SATIN BLACK BA,WITH STICKER - BLACK	1	
RFS150i	14	F17	65604V03007Z	右前护板(平光银黑BA)带贴花	RIGHTFRONT SIDE COVER,SATIN BLACK BA,WITH STICKER - BLUE	1	
RFS150i	15	F17	65605V030000	左右护板前联接板	FRONT LEFT&RIGHT CONNECT BOARD	1	
RFS150i	16	F17	51100V030110	座垫组件(蒙皮/39#皮/带Benelli字样)	SEAT ASSY.MARK:Benelli	1	
RFS150i	17	F17	82000V030000	尾灯	REAR LAMP ASSY	1	
RFS150i	18	F17	65311B910000	卡片	CARD	4	
RFS150i	19	F17	B0507420100H	自攻螺钉ST4.2x9.5	SCREW ST4.2x9.5	4	
RFS150i	20	F17	65621V030000	左护板铁丝网	BARBED WIRE	2	
RFS150i	21	F17	B0507420101H	自攻螺钉M4.2x10	SCREW ST4.2x10	2	

F18 后挡泥板 REAR FENDER



Model	NO.	Position No.	CODE	CN DESCRIPTION	EN DESCRIPTION	Qty/Unit	Remark
RFS150i	1	F18	65731V030000	后挡泥板前部	REAR FENDER FRONT	1	
RFS150i	2	F18	08011H010200	凸台螺栓M6x14	BOLT M6x14	4	
RFS150i	3	F18	B0507420130H	自攻螺钉ST4.2x13	SCREW ST4.2x13	4	
RFS150i	4	F18	65770V030000	后挡泥板支架组件	REAR FENDER BRACKET	1	
RFS150i	5	F18	B0109080256H	螺栓M8x25	BOLT M8x25	4	
RFS150i	6	F18	81500V030000	后左转向灯	REAR LEFT TURN SIGNAL LIGHT	1	
RFS150i	7	F18	86500B720001	后反射体	REAR REFLECTOR	1	
RFS150i	8	F18	B0407050005H	螺母M5	NUT M5	4	
RFS150i	9	F18	B0200040122H	螺钉M4x12	SCREW M4x12	1	
RFS150i	10	F18	82900L290000	牌照灯	LICENSE PLATE LAMP	1	
RFS150i	11	F18	08252H360000	后牌照支架	REAR LICENCE BRACKET	1	
RFS150i	12	F18	B01090601665	螺栓M6x16	BOLT M6x16	2	
RFS150i	13	F18	86300J000002	侧反射体组件	SIDE REFLECTOR	1	
RFS150i	14	F18	81700V030000	后右转向灯	REAR RIGHT TURN SIGNAL LIGHT	1	
RFS150i	15	F18	51103V030000	座垫缓冲橡胶圈	RUBBER CUSHION	1	
RFS150i	16	F18	50012V030000	座垫下橡胶皮	RUBBER MAT	1	
RFS150i	17	F18	65713H160000	后挡泥板橡胶垫	RUBBER MAT	1	
RFS150i	18	F18	B0109060126H	螺栓M6x12	BOLT M6x12	2	
RFS150i	19	F18	B0407060005H	螺母M6	NUT M6	2	

F19 电器 ELECTRICAL EQUIPMENT ASSY.

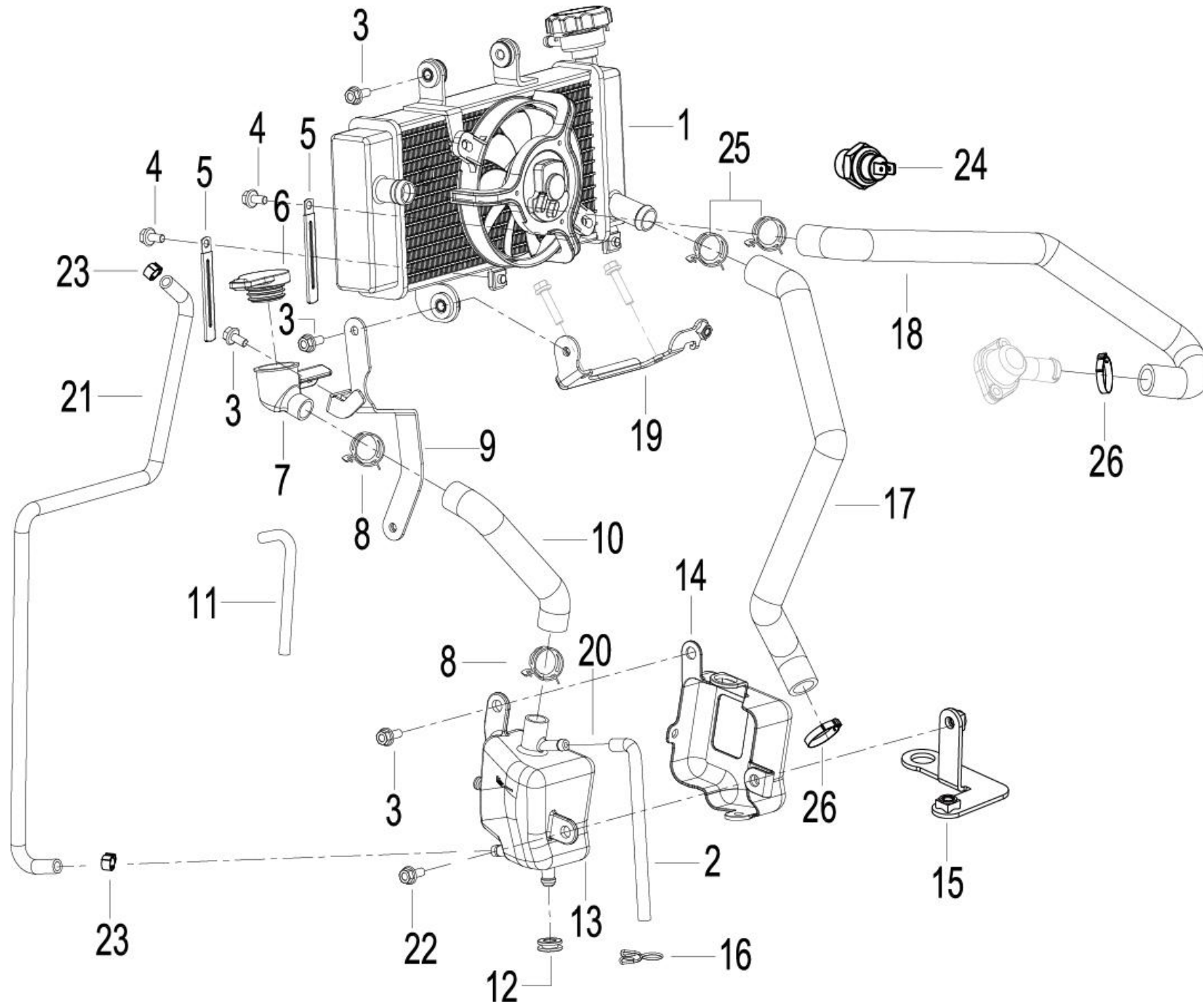


Model	NO.	Position No.	CODE	CN DESCRIPTION	EN DESCRIPTION	Qty/Unit	Remark
RFS150i	1	F19	95100T750000	喇叭	HORN	1	
RFS150i	2	F19	B01090601665	螺栓M6x16	BOLT M6x16	3	
RFS150i	3	F19	96C00P100301	ECU	ECU	1	
RFS150i	4	F19	299064010000	整流器	REGULATOR	1	
RFS150i	5	F19	B01090602065	螺栓M6x20	BOLT M6x20	3	
RFS150i	6	F19	96700K060000	启动二极管	ACTUATING DIODE	1	
RFS150i	7	F19	96100V030000	蓄电池YTX7L-BS	BATTERY YTX7L-BS	1	

Model	NO.	Position No.	CODE	CN DESCRIPTION	EN DESCRIPTION	Qty/Unit	Remark
RFS150i	8	F19	96200V030000	高压包	STICK COIL	1	
RFS150i	9	F19	96200V030001	高压包	STICK COIL	1	
RFS150i	10	F19	B0109050206H	螺栓M5x20	BOLT M5x20	4	
RFS150i	11	F19	88100V030000	电源锁	POWER LOCK	1	
RFS150i	12	F19	88107V030000	电源锁盖防尘圈	POWER LOCK DUSTPROOF RING	1	
RFS150i	13	F19	B02070602022	内六角花形螺钉M6x20	SCREW M6x20	2	
RFS150i	14	F19	96400H390001	闪光器	FLASHER	1	
RFS150i	15	F19	96007B720001	点火器套	JACKET,FLASHER	1	
RFS150i	16	F19	57164V030000	点火器安装板	C.D.I FIXING BOARD	1	
RFS150i	17	F19	92000V030000	电缆总成(大灯常亮)	WARE HARNESS ASSY.AHO	1	
RFS150i	18	F19	94100T850000	继电器	RELAY START	1	
RFS150i	19	F19	57403V030000	继电器安装板	RELAY START FIXING BOARD	1	
RFS150i	20	F19	B0109050166H	螺栓M5x16	BOLT M5x16	1	
RFS150i	21	F19	289044460000	喷油器支座	FUEL INJECTOR SEAT	1	
RFS150i	22	F19	289035210000	喷油器	FUEL INJECTOR	1	
RFS150i	23	F19	96001T750000	绑带150mm	BAND 150MM	5	
RFS150i	24	F19	40098B450000	绑扎带	BAND	9	
RFS150i	25	F19	02200J0000A0	电瓶带组件	BATTERY BAND	1	
RFS150i	26	F19	B0702000050H	垫圈5	WASHER 5	1	
RFS150i	27	F19	289004320030	节流阀体分总成	THROTTLE BODY ASSY.	1	
RFS150i	28	F19	94400N140000	大灯继电器控制器	CONTROLLER,mark:250T-4	1	
RFS150i	29	F19	96002J000000	绑带200mm	CLAMP 200MM	1	
RFS150i	30	F19	96003P250000	软线夹	CLIP,RUBBER	4	
RFS150i	31	F19	49371T620000	截止阀软线夹	CLIP,RUBBER	1	
RFS150i	32	F19	40023P250000	方向把软线夹	CLIP,RUBBER	1	
RFS150i	33	F19	280024320000	步进电机	STEPPER MOTOR	1	
RFS150i	34	F19	94100J800000	控制小继电器(矮座)	RELAY	4	
RFS150i	35	F19	96840P110000	保险丝管15A	FUSE 15A	1	
RFS150i	35	F19	96870V030001	保险丝管20A	FUSE 20A	1	
RFS150i	36	F19	88900L26090X	钥匙毛坯带磁性头	KEY NUT	1	
RFS150i	37	F19	280756030001		THROTTLE POSITION SENSOR	1	



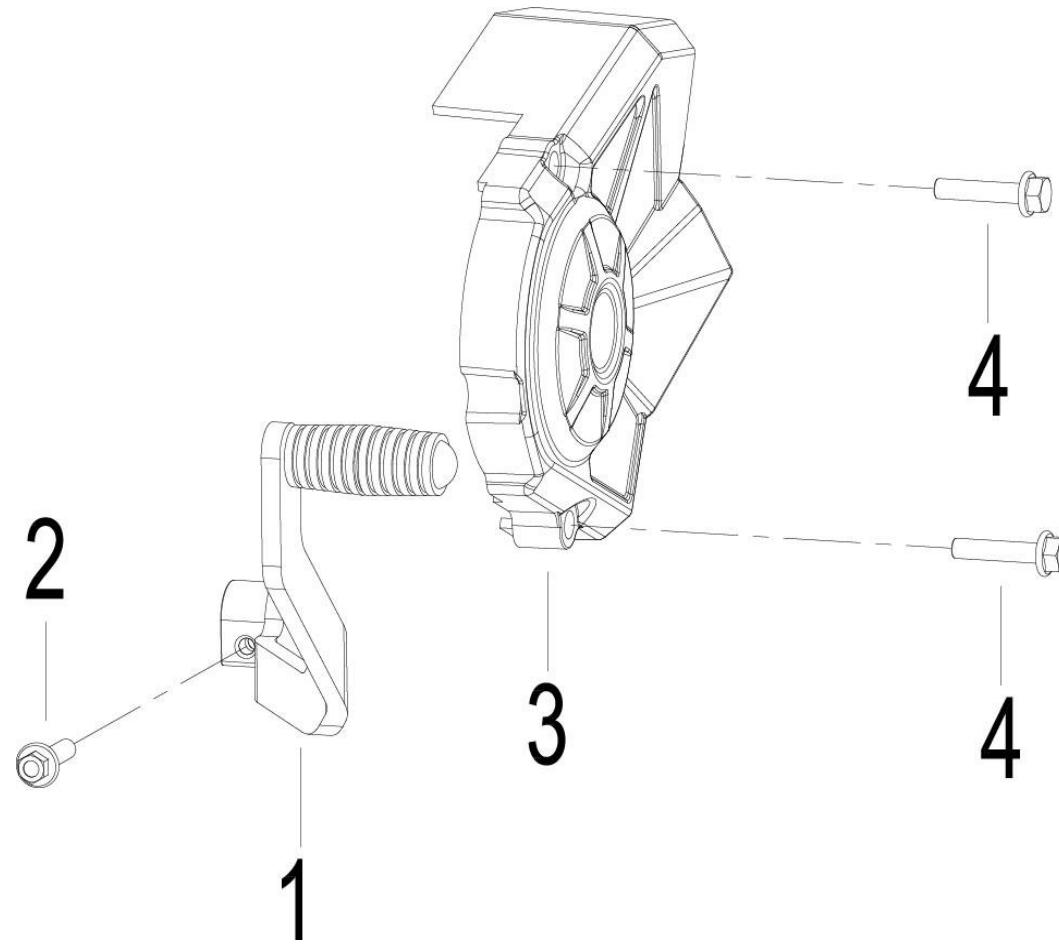
F20 COOLING SYSTEM ASSY.



Model	NO.	Position No.	CODE	CN DESCRIPTION	EN DESCRIPTION	Qty/Unit	Remark
RFS150i	1	F20	279124410000	水箱组件	RADIATOR	1	
RFS150i	2	F20	B16010721501	油管Φ11×7×150	OIL TUBE Φ11×7×150	1	
RFS150i	3	F20	B01090601665	螺栓M6×16	BOLT M6×16	4	
RFS150i	4	F20	B0109060126H	螺栓M6×12	BOLT M6×12	2	
RFS150i	5	F20	58430J000000	线夹	WIRE CLIP	10	
RFS150i	6	F20	06112T580000	膨胀水壶盖	COOLANT RESERVE TANK CAP	1	
RFS150i	7	F20	06106T430007	膨胀水壶加水口	COOLANT RESERVE TANK WATER SYSTEM FILLER	1	
RFS150i	8	F20	06103N120000	水管板式卡箍φ25	CLIP φ25	2	
RFS150i	9	F20	59460V030000	膨胀水壶安装板组件	KETTLE FIXING BORAD	1	
RFS150i	10	F20	06101V030000	膨胀水壶与水杯连接管	CONNECT KETTLE&WATER CUP PIPE	1	
RFS150i	11	F20	06107V030000	膨胀水壶溢流管φ7×φ11	COOLANT RESERVE TANK OVERFLOW PIPE φ7×φ11	1	
RFS150i	12	F20	65115N140000	橡胶缓冲块	RUBBER CUSHION	1	
RFS150i	13	F20	06111V030000	膨胀水壶	COOLANT RESERVE TANK	1	
RFS150i	14	F20	06113V030000	膨胀水壶防护橡胶	COOLANT RESERVE TANK PROTECT RUBBER	1	
RFS150i	15	F20	58160V030000	水壶安装板组件	COOLANT RESERVE TANK FIXING BORAD	1	
RFS150i	16	F20	B17010125003	钢丝卡箍Φ12.5	WIRE CLAMP Φ12.5	1	
RFS150i	17	F20	06214V030000	进水管	INLET HOSE	1	
RFS150i	18	F20	06215V030000	出水管	OUTLET HOSE	1	
RFS150i	19	F20	59450V030000	水箱下固定板组件	RADIATOR FIXING BRACKET	1	
RFS150i	20	F20	50376S010000	卡箍Φ10	CLIP 10	1	
RFS150i	21	F20	06223V030000	散热器溢流管	RADIATOR OVERFLOW PIPE	1	
RFS150i	22	F20	B01090602065	螺栓M6×20	BOLT M6×20	1	
RFS150i	23	F20	50307J140302	板式卡箍φ10	PLATE CARD HOOP	2	
RFS150i	24	F20	279113160010	出水温度开关组件 93°C	WATER TEMPERATURE SWITCH 93°C	1	
RFS150i	25	F20	06103N120000	水管板式卡箍φ25	CLIP φ25	2	
RFS150i	26	F20	06106P250000	卡箍27.1-706R	CLAMP 271	2	

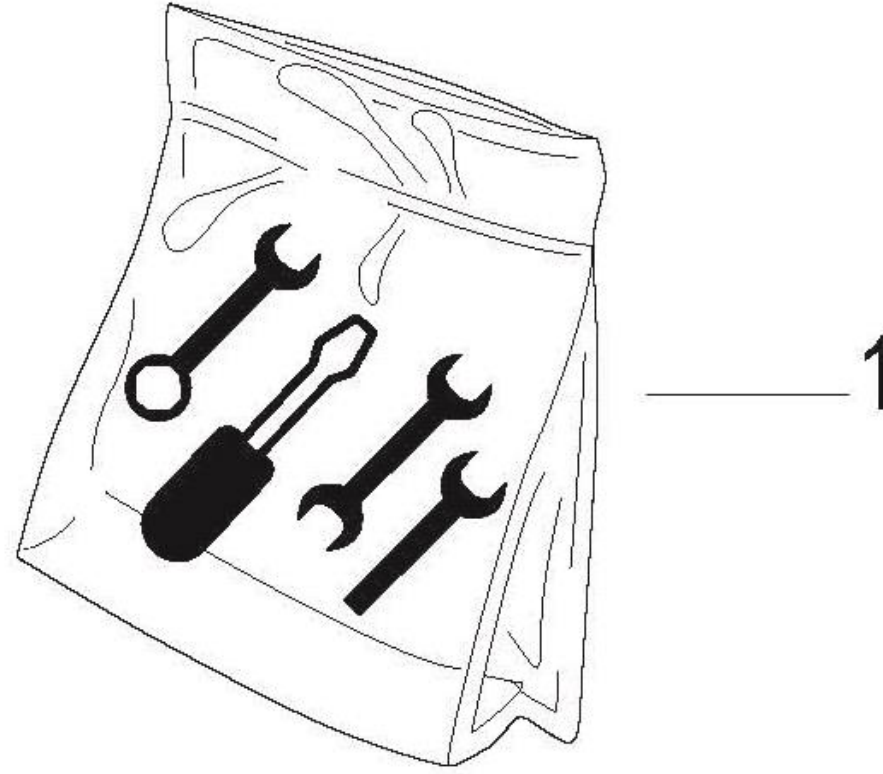


F21 发动机附件 ENGINE ATTACHMENT

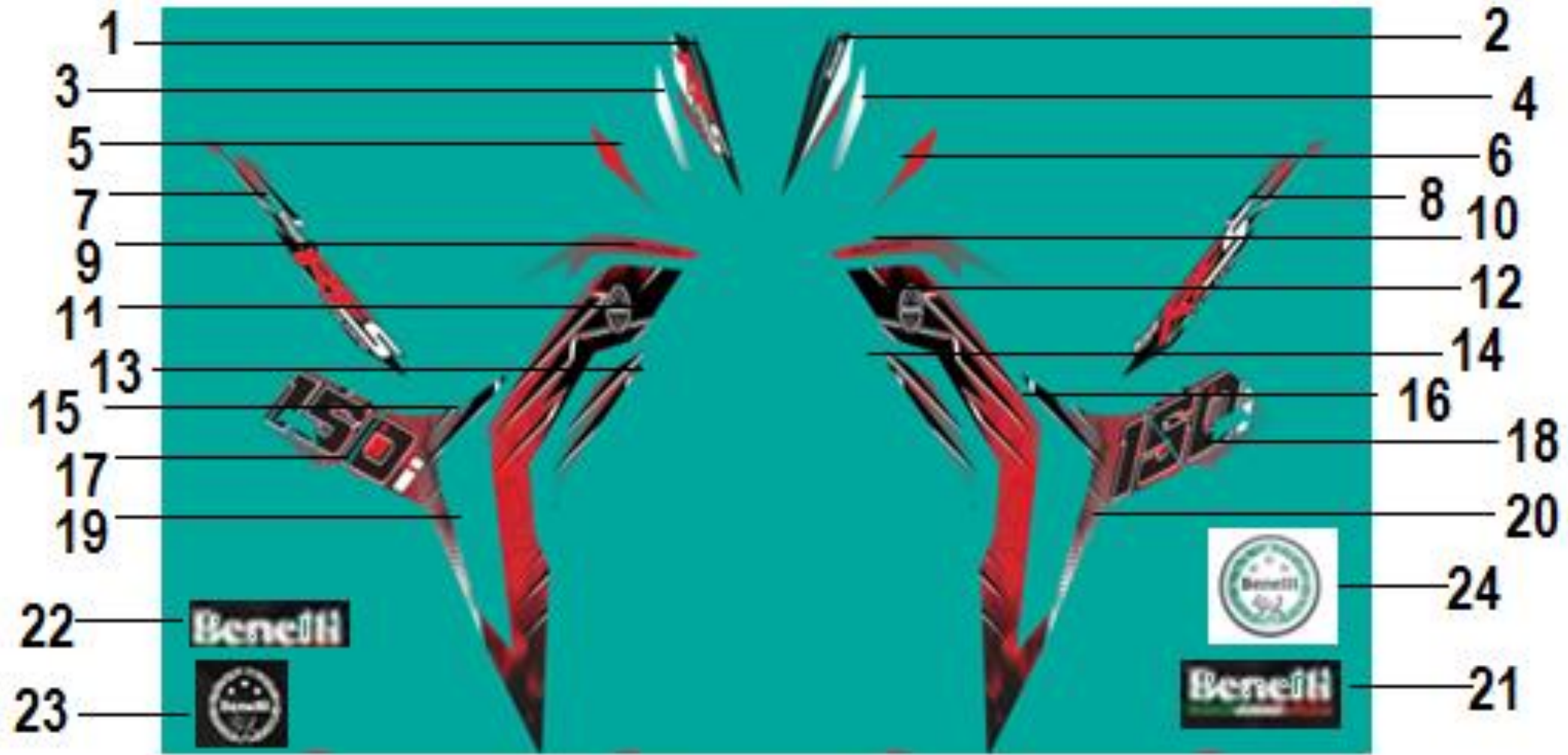


Model	NO.	Position No.	CODE	CN DESCRIPTION	EN DESCRIPTION	Qty/Unit	Remark
RFS150i	1	F21	08370V030000	变档杆组件	SHIFT PEDAL ASSY	1	
RFS150i	2	F21	B0109060256H	螺栓M6×25	BOLT M6×25	1	
RFS150i	3	F21	169064410010	左后盖组件	ENGINE LEFT REAR COVER	1	
RFS150i	4	F21	B0107060286H	螺栓M6×28	BOLT M6×28	2	

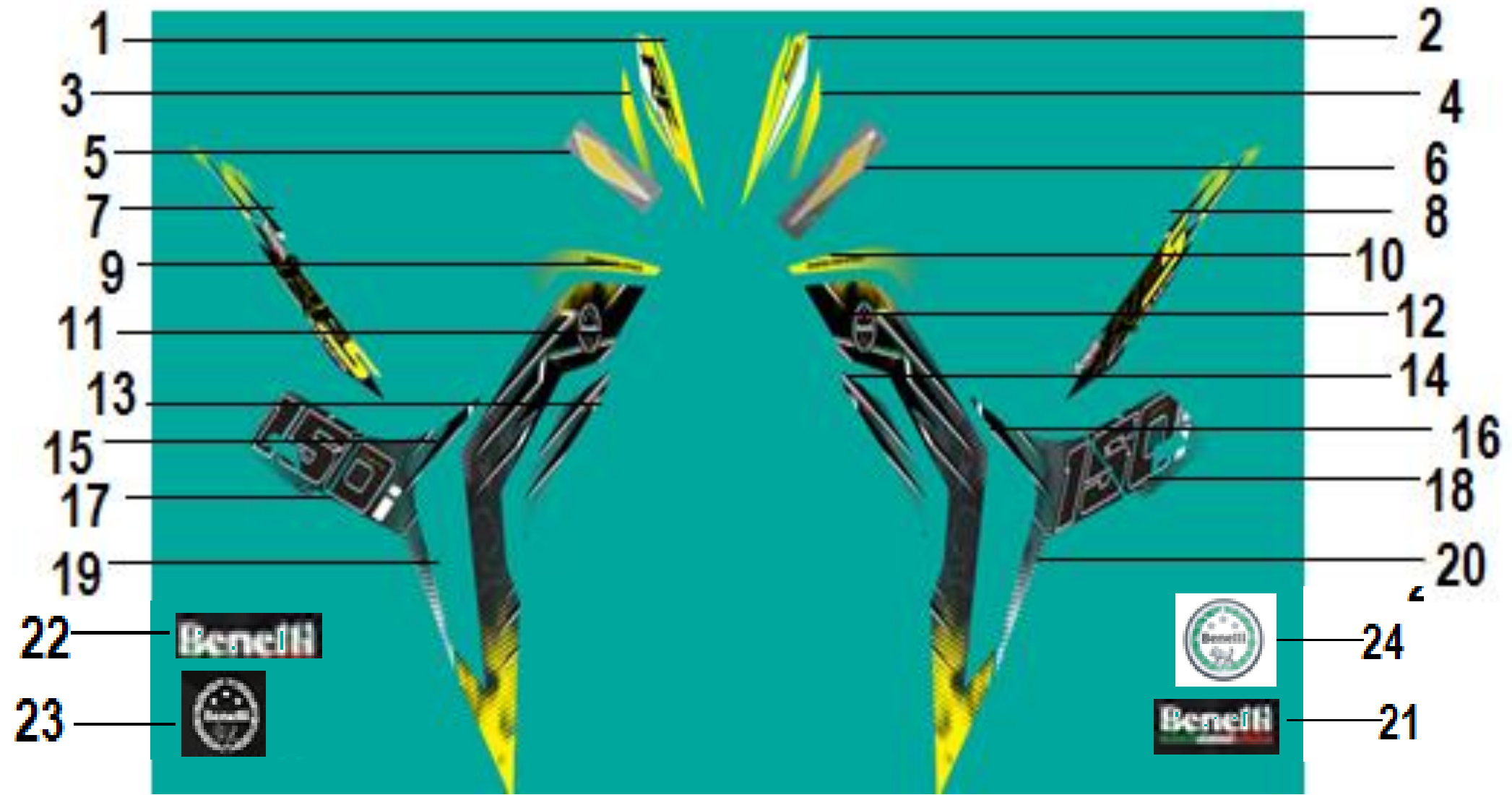
F22 随车工具 TOOL KIT ASSY.



Model	NO.	Position No.	CODE	CN DESCRIPTION	EN DESCRIPTION	Qty/Unit	Remark
RFS150i	1	F22	02100B420000	随车工具	TOOL KIT ASSY	1	

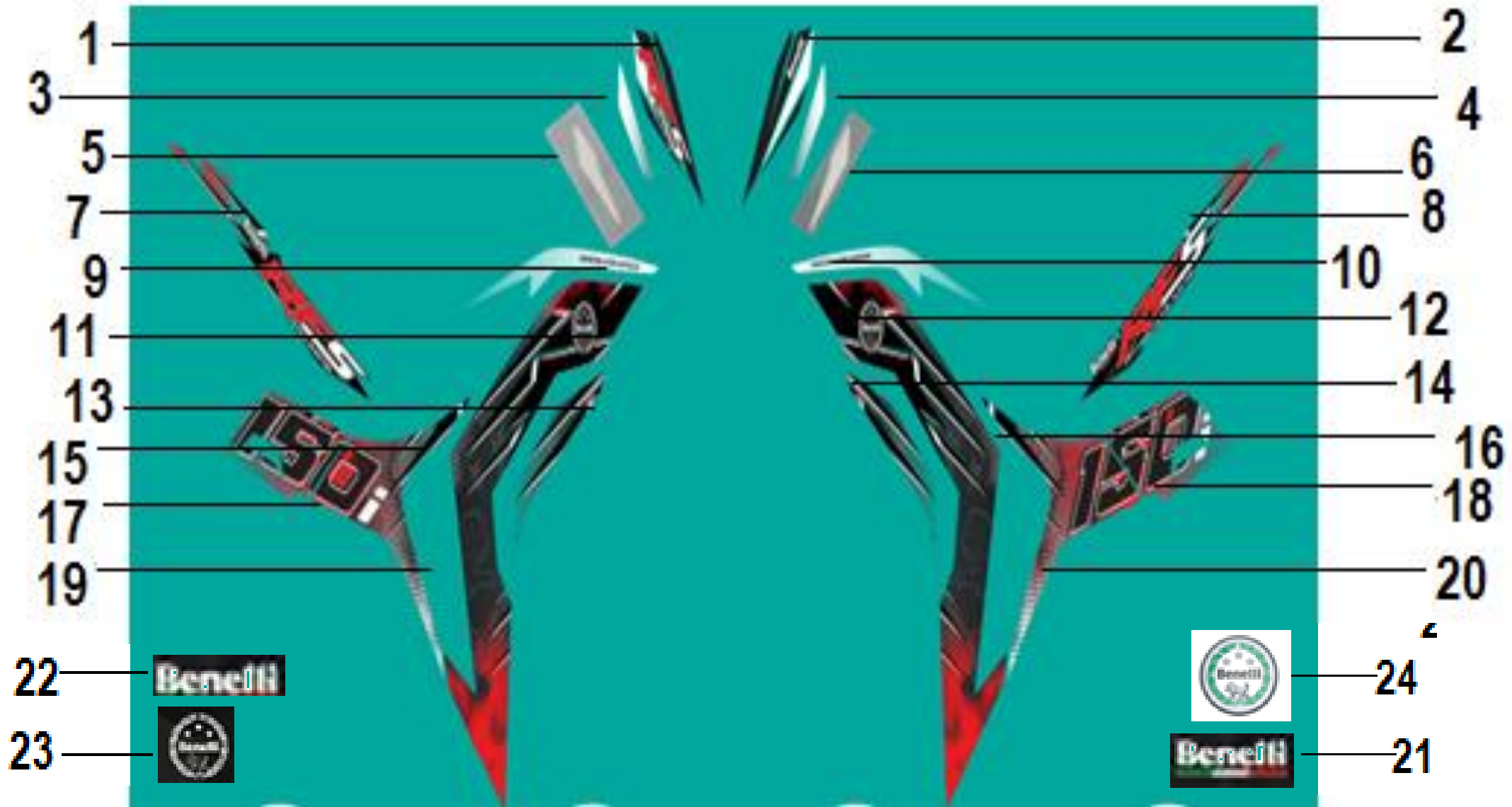


Model	NO.	Position No.	CODE	CN DESCRIPTION	EN DESCRIPTION	Qty/Unit	Remark
RFS150i	1	F23	05522V03BA01	前大罩面板右贴花	FRONT FACEPLATE RIGHT STICKER	1	
RFS150i	2	F23	05521V03BA01	前大罩面板左贴花	FRONT FACEPLATE LEFT STICKER	1	
RFS150i	3	F23	05524V03BA01	前大罩底板右贴花1	RIGHT STICKER I	1	
RFS150i	4	F23	05523V03BA01	前大罩底板左贴花1	LEFT STICKER I	1	
RFS150i	5	F23	05526V03BA01	前大罩底板右贴花II	RIGHT STICKER II	1	
RFS150i	6	F23	05525V03BA01	前大罩底板左贴花II	LEFT STICKER II	1	
RFS150i	7	F23	05512V03BA01	右护板贴花	RIGHT SIDE COVER STICKER	1	
RFS150i	8	F23	05511V03BA01	左护板贴花	LEFT SIDE COVER STICKER	1	
RFS150i	9	F23	05530V03BA01	脚防护板右贴花1	RIGHT STICKER I	1	
RFS150i	10	F23	05531V03BA01	脚防护板左贴花1	LEFT STICKER I	1	
RFS150i	11	F23	05532V03BA01	脚防护板右贴花II	RIGHT STICKER II	1	
RFS150i	12	F23	05533V03BA01	脚防护板左贴花II	LEFT STICKER II	1	
RFS150i	13	F23	05534V03BA01	脚防护板右贴花III	RIGHT STICKER III	1	
RFS150i	14	F23	05535V03BA01	脚防护板左贴花III	LEFT STICKER III	1	
RFS150i	15	F23	05536V03BA01	脚防护板右贴花IV	RIGHT STICKER IV	1	
RFS150i	16	F23	05537V03BA01	脚防护板左贴花IV	LEFT STICKER IV	1	
RFS150i	17	F23	05514V03BA01	右前护板贴花	RIGHT STICKER	1	
RFS150i	18	F23	05513V03BA01	左前护板贴花	LEFT STICKER	1	
RFS150i	19	F23	05538V03BA01	脚防护板右贴花V	RIGHT STICKER V	1	
RFS150i	20	F23	05539V03BA01	脚防护板左贴花V	LEFT STICKER V	1	
RFS150i	21	F23	05540V030001	脚防护板护罩贴花	STICKER	1	
RFS150i	22	F23	05527V030001	龙头前护罩贴花	STICKER	1	
RFS150i	23	F23	05528V030001	前大罩面板装饰板贴花	BENELLI STICKER	1	
RFS150i	24	F23	05521B450000	标牌BENELLI	BENELLI LABEL	1	



Model	NO.	Position No.	CODE	CN DESCRIPTION	EN DESCRIPTION	Qty/Unit	Remark
RFS150i	1	F24	05522V03BC01	前大罩面板右贴花	FRONT FACEPLATE RIGHT STICKER	1	
RFS150i	2	F24	05521V03BC01	前大罩面板左贴花	FRONT FACEPLATE LEFT STICKER	1	
RFS150i	3	F24	05524V03BC01	前大罩底板右贴花1	RIGHT STICKER I	1	
RFS150i	4	F24	05523V03BC01	前大罩底板左贴花1	LEFT STICKER I	1	
RFS150i	5	F24	05526V03BC01	前大罩底板右贴花II	RIGHT STICKER II	1	
RFS150i	6	F24	05525V03BC01	前大罩底板左贴花II	LEFT STICKER II	1	
RFS150i	7	F24	05512V03BC01	右护板贴花	RIGHT SIDE COVER STICKER	1	
RFS150i	8	F24	05511V03BC01	左护板贴花	LEFT SIDE COVER STICKER	1	
RFS150i	9	F24	05530V03BC01	脚防护板右贴花1	RIGHT STICKER I	1	
RFS150i	10	F24	05531V03BC01	脚防护板左贴花1	LEFT STICKER I	1	
RFS150i	11	F24	05532V03BC01	脚防护板右贴花II	RIGHT STICKER II	1	
RFS150i	12	F24	05533V03BC01	脚防护板左贴花II	LEFT STICKER II	1	
RFS150i	13	F24	05534V03BC01	脚防护板右贴花III	RIGHT STICKER III	1	
RFS150i	14	F24	05535V03BC01	脚防护板左贴花III	LEFT STICKER III	1	
RFS150i	15	F24	05536V03BC01	脚防护板右贴花IV	RIGHT STICKER IV	1	
RFS150i	16	F24	05537V03BC01	脚防护板左贴花IV	LEFT STICKER IV	1	
RFS150i	17	F24	05514V03BC01	右前护板贴花	RIGHT STICKER	1	
RFS150i	18	F24	05513V03BC01	左前护板贴花	LEFT STICKER	1	
RFS150i	19	F24	05538V03BC01	脚防护板右贴花V	RIGHT STICKER V	1	
RFS150i	20	F24	05539V03BC01	脚防护板左贴花V	LEFT STICKER V	1	
RFS150i	21	F23	05540V030001	脚防护板护罩贴花	STICKER	1	
RFS150i	22	F23	05527V030001	龙头前护罩贴花	STICKER	1	
RFS150i	23	F23	05528V030001	前大罩面板装饰板贴花	BENELLI STICKER	1	
RFS150i	24	F23	05521B450000	标牌BENELLI	BENELLI LABEL	1	



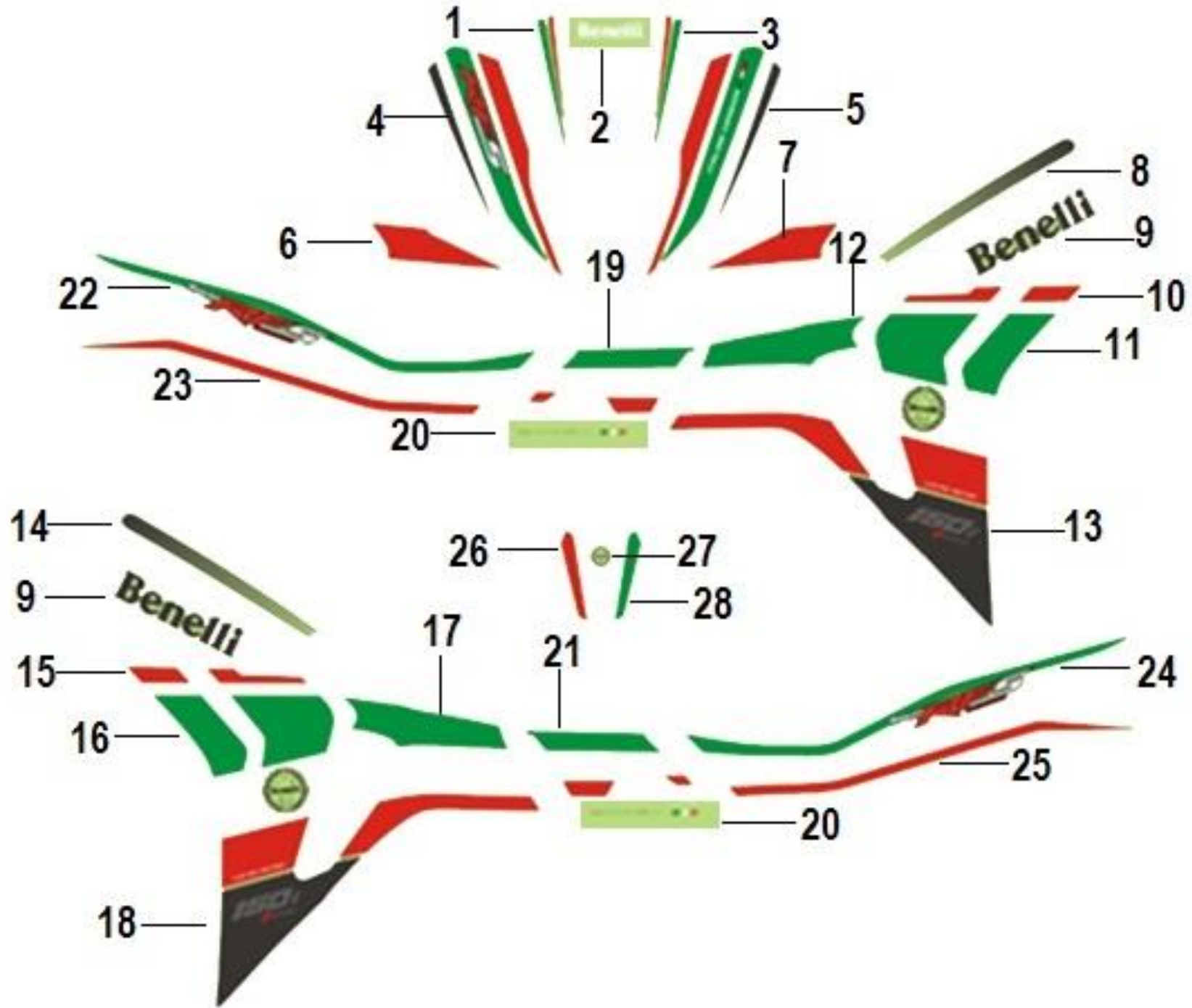




Model	NO.	Position No.	CODE	CN DESCRIPTION	EN DESCRIPTION	Qty/Unit	Remark
RFS150i	1	F25	05522V03F901	前大罩面板右贴花	FRONT FACEPLATE RIGHT STICKER	1	
RFS150i	2	F25	05521V03F901	前大罩面板左贴花	FRONT FACEPLATE LEFT STICKER	1	
RFS150i	3	F25	05524V03F901	前大罩底板右贴花1	RIGHT STICKER I	1	
RFS150i	4	F25	05523V03F901	前大罩底板左贴花1	LEFT STICKER I	1	
RFS150i	5	F25	05526V03F901	前大罩底板右贴花II	RIGHT STICKER II	1	
RFS150i	6	F25	05525V03F901	前大罩底板左贴花II	LEFT STICKER II	1	
RFS150i	7	F25	05512V03BA01	右护板贴花	RIGHT SIDE COVER STICKER	1	
RFS150i	8	F25	05511V03BA01	左护板贴花	LEFT SIDE COVER STICKER	1	
RFS150i	9	F25	05530V03F901	脚防护板右贴花1	RIGHT STICKER I	1	
RFS150i	10	F25	05531V03F901	脚防护板左贴花1	LEFT STICKER I	1	
RFS150i	11	F25	05532V03F901	脚防护板右贴花II	RIGHT STICKER II	1	
RFS150i	12	F25	05533V03F901	脚防护板左贴花II	LEFT STICKER II	1	
RFS150i	13	F25	05534V03F901	脚防护板右贴花III	RIGHT STICKER III	1	
RFS150i	14	F25	05535V03F901	脚防护板左贴花III	LEFT STICKER III	1	
RFS150i	15	F25	05536V03BA01	脚防护板右贴花IV	RIGHT STICKER IV	1	
RFS150i	16	F25	05537V03BA01	脚防护板左贴花IV	LEFT STICKER IV	1	
RFS150i	17	F25	05514V03BA01	右前护板贴花	RIGHT STICKER	1	
RFS150i	18	F25	05513V03BA01	左前护板贴花	LEFT STICKER	1	
RFS150i	19	F25	05538V03BA01	脚防护板右贴花V	RIGHT STICKER V	1	
RFS150i	20	F25	05539V03BA01	脚防护板左贴花V	LEFT STICKER V	1	
RFS150i	21	F23	05540V030001	脚防护板护罩贴花	STICKER	1	
RFS150i	22	F23	05527V030001	龙头前护罩贴花	STICKER	1	
RFS150i	23	F23	05528V030001	前大罩面板装饰板贴花	BENELLI STICKER	1	
RFS150i	24	F23	05521B450000	标牌BENELLI	BENELLI LABEL	1	

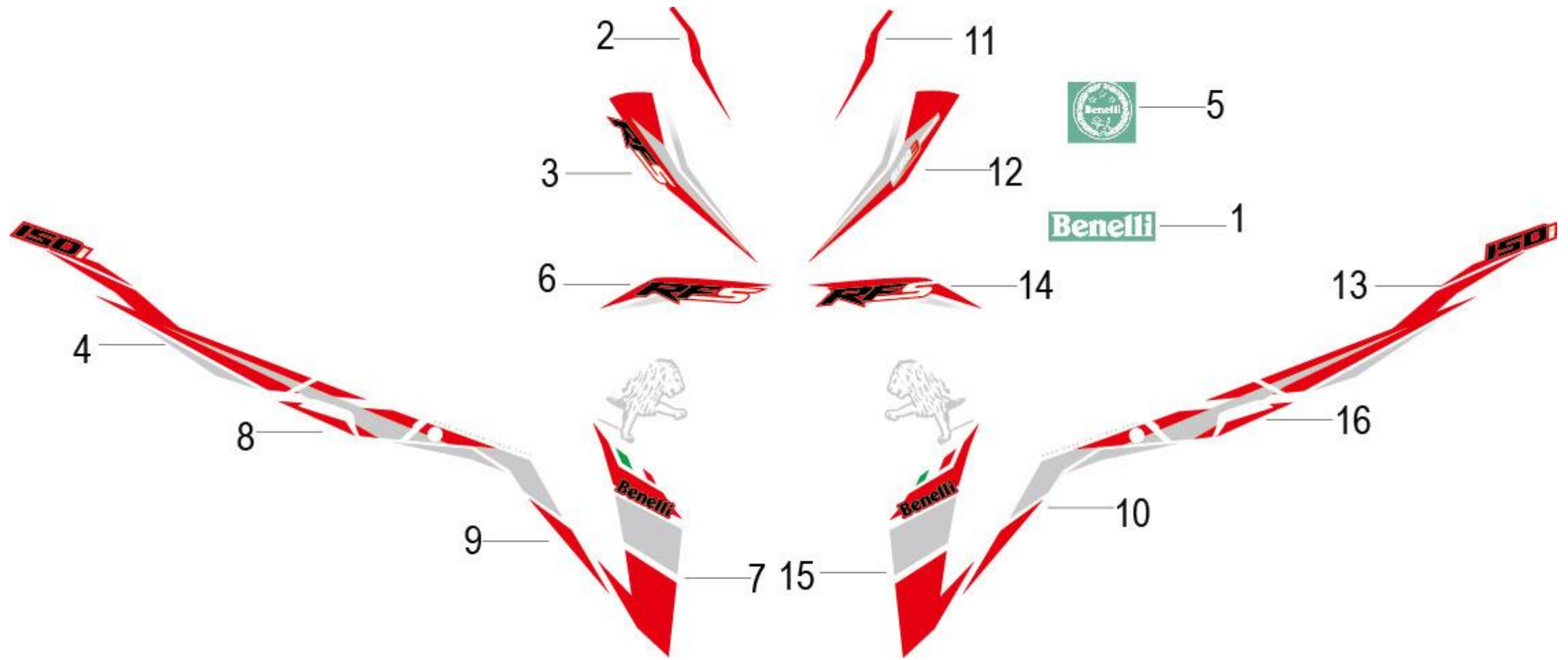


Model	NO.	Position No.	CODE	CN DESCRIPTION	EN DESCRIPTION	Qty/Unit	Remark
RFS150i	1	F26	05522V03E401	前大罩面板右贴花	FRONT FACEPLATE RIGHT STICKER	1	
RFS150i	2	F26	05521V03E401	前大罩面板左贴花	FRONT FACEPLATE LEFT STICKER	1	
RFS150i	3	F26	05524V03F901	前大罩底板右贴花1	RIGHT STICKER I	1	
RFS150i	4	F26	05523V03F901	前大罩底板左贴花1	LEFT STICKER I	1	
RFS150i	5	F26	05526V03F901	前大罩底板右贴花II	RIGHT STICKER II	1	
RFS150i	6	F26	05525V03F901	前大罩底板左贴花II	LEFT STICKER II	1	
RFS150i	7	F26	05512V03E401	右护板贴花	RIGHT SIDE COVER STICKER	1	
RFS150i	8	F26	05511V03E401	左护板贴花	LEFT SIDE COVER STICKER	1	
RFS150i	9	F26	05530V03E401	脚防护板右贴花1	RIGHT STICKER I	1	
RFS150i	10	F26	05531V03E401	脚防护板左贴花1	LEFT STICKER I	1	
RFS150i	11	F26	05532V03E401	脚防护板右贴花II	RIGHT STICKER II	1	
RFS150i	12	F26	05533V03E401	脚防护板左贴花II	LEFT STICKER II	1	
RFS150i	13	F26	05534V03E401	脚防护板右贴花III	RIGHT STICKER III	1	
RFS150i	14	F26	05535V03E401	脚防护板左贴花III	LEFT STICKER III	1	
RFS150i	15	F26	05536V03E401	脚防护板右贴花IV	RIGHT STICKER IV	1	
RFS150i	16	F26	05537V03E401	脚防护板左贴花IV	LEFT STICKER IV	1	
RFS150i	17	F26	05514V03E401	右前护板贴花	RIGHT STICKER	1	
RFS150i	18	F26	05513V03E401	左前护板贴花	LEFT STICKER	1	
RFS150i	19	F26	05538V03E401	脚防护板右贴花V	RIGHT STICKER V	1	
RFS150i	20	F26	05539V03E401	脚防护板左贴花V	LEFT STICKER V	1	
RFS150i	21	F23	05540V030001	脚防护板护罩贴花	STICKER	1	
RFS150i	22	F23	05527V030001	龙头前护罩贴花	STICKER	1	
RFS150i	23	F23	05528V030001	前大罩面板装饰板贴花	BENELLI STICKER	1	
RFS150i	24	F23	05521B450000	标牌BENELLI	BENELLI LABEL	1	



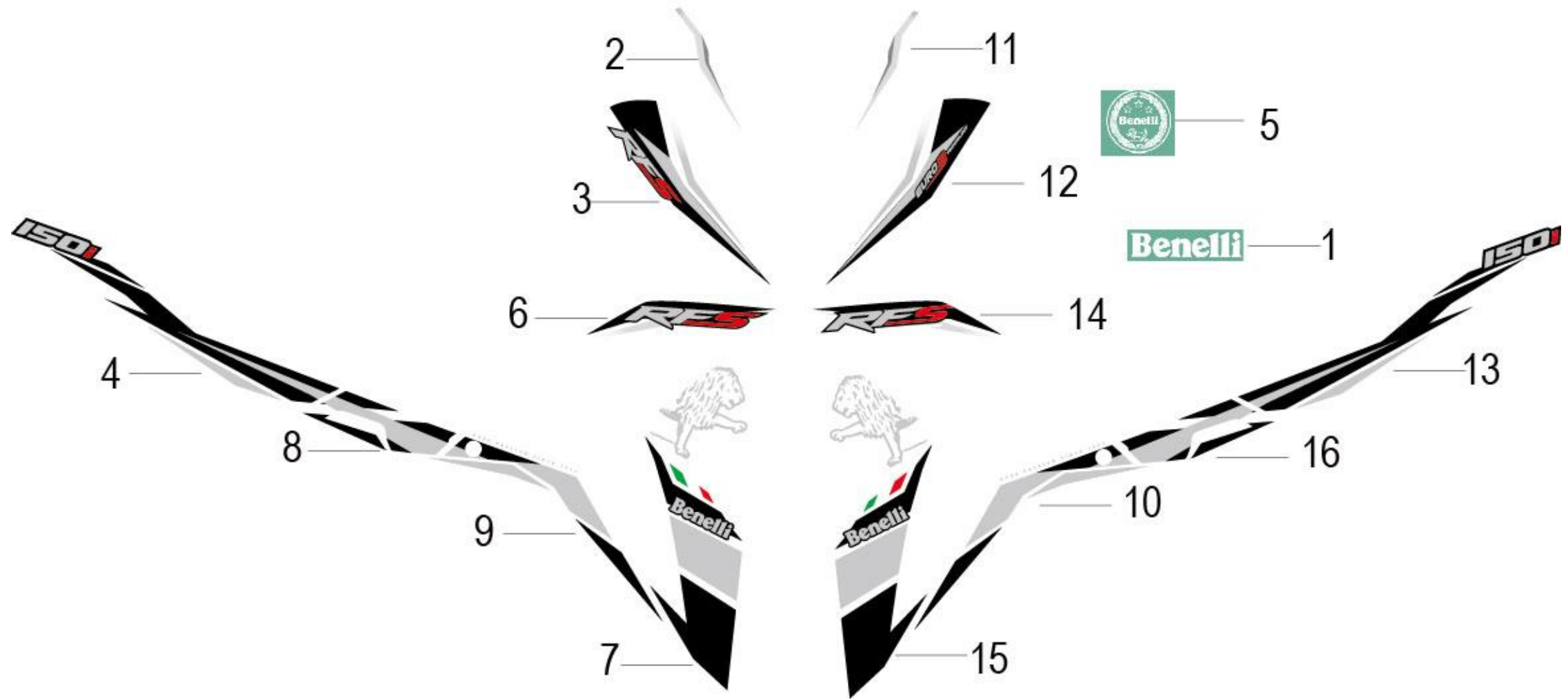
Model	NO.	Position No.	CODE	CN DESCRIPTION	EN DESCRIPTION	Qty/Unit	Remark
RFS150I	1	F27	05523V03WF02	龙头前罩装饰板右贴花	RIGHT STICKER,FRONT DECORATIVE BOARD	1	
RFS150I	2	F27	05521V03WF02	速度表遮阳板字样贴花	BENELLI STICKER	1	
RFS150I	3	F27	05522V03WF02	龙头前罩装饰板左贴花	LEFT STICKER,FRONT DECORATIVE BOARD	1	
RFS150I	4	F27	05525V03WF02	前大罩面板右贴花	RIGHT STICKER,FRONT FACEPLATE	1	
RFS150I	5	F27	05524V03WF02	前大罩面板左贴花	LEFT STICKER,FRONT FACEPLATE	1	
RFS150I	6	F27	05527V03WF02	前大罩底板右贴花	RIGHT STICKER,FRONT FACEPLATE BOTTOM BOARD	1	
RFS150I	7	F27	05526V03WF02	前大罩底板左贴花	LEFT STICKER,FRONT FACEPLATE BOTTOM BOARD	1	
RFS150I	8	F27	05543V03WF02	右脚防护板贴花1	STICKER 1,RIGHT FOOT PROTECT COVER	1	
RFS150I	9	F27	05541V03WF02	脚防护板字样贴花	BENELLI STICKER	2	
RFS150I	10	F27	05545V03WF02	右脚防护板贴花2	STICKER 2,RIGHT FOOT PROTECT COVER	1	
RFS150I	11	F27	05547V03WF02	右脚防护板贴花3	STICKER 3,RIGHT FOOT PROTECT COVER	1	
RFS150I	12	F27	05549V03WF02	右脚防护板贴花4	STICKER 4,RIGHT FOOT PROTECT COVER	1	
RFS150I	13	F27	05552V03WF02	右脚防护板贴花5	STICKER 5,RIGHT FOOT PROTECT COVER	1	
RFS150I	14	F27	05542V03WF02	左脚防护板贴花1	STICKER 1,LEFT FOOT PROTECT COVER	1	
RFS150I	15	F27	05544V03WF02	左脚防护板贴花2	STICKER 2,LEFT FOOT PROTECT COVER	1	
RFS150I	16	F27	05546V03WF02	左脚防护板贴花3	STICKER 3,LEFT FOOT PROTECT COVER	1	
RFS150I	17	F27	05548V03WF02	左脚防护板贴花4	STICKER 4,LEFT FOOT PROTECT COVER	1	
RFS150I	18	F27	05551V03WF02	左脚防护板贴花5	STICKER 5,LEFT FOOT PROTECT COVER	1	
RFS150I	19	F27	05512V03WF02	右前护板贴花	STICKER,RIGHT FRONT SIDE COVER	1	
RFS150I	20	F27	05519V03WF02	前护板字样贴花	STICKER,FRONT SIDE COVER	2	
RFS150I	21	F27	05511V03WF02	左前护板贴花	LEFT STICKER,FRONT SIDE COVER	1	
RFS150I	22	F27	05516V03WF02	右护板贴花1	STICKER 1,RIGHT SIDE COVER	1	
RFS150I	23	F27	05518V03WF02	右护板贴花2	STICKER 2,RIGHT SIDE COVER	1	
RFS150I	24	F27	05515V03WF02	左护板贴花1	STICKER 1,LEFT SIDE COVER	1	
RFS150I	25	F27	05517V03WF02	左护板贴花2	STICKER 2,LEFT SIDE COVER	1	
RFS150I	26	F27	05573V03WF02	左右尾罩后联接板3(红条)	STICKER 3,TAIL COVER CONNECT BOARD	1	
RFS150I	27	F27	05572V03WF02	左右尾罩后联接板2 (BENELLI圆贴花)	STICKER 2,TAIL COVER CONNECT BOARD	1	
RFS150I	28	F27	05571V03WF02	左右尾罩后联接板1(绿条)	STICKER 1,TAIL COVER CONNECT BOARD	1	



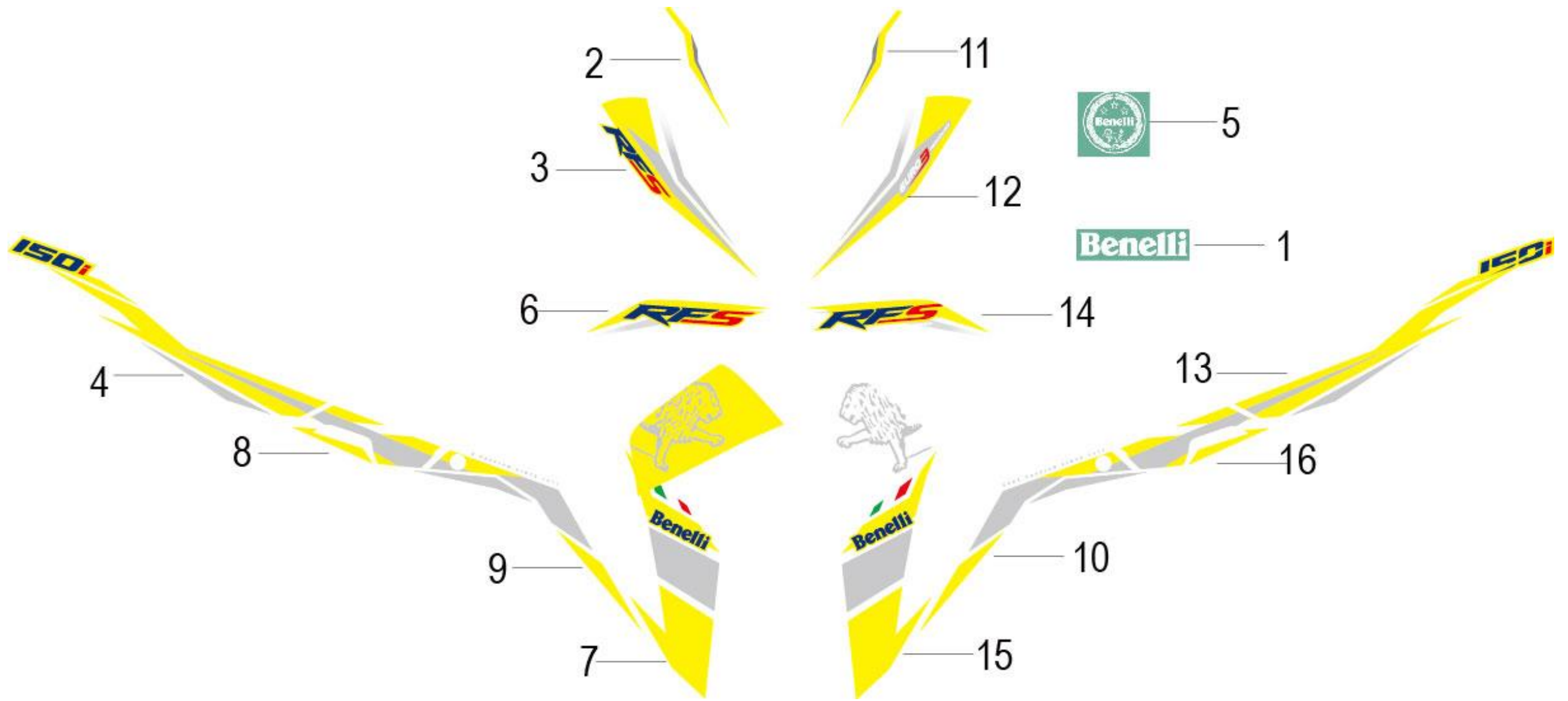


Model	NO.	Position No.	CODE	CN DESCRIPTION	EN DESCRIPTION	Qty/Unit	Remark
RFS150I	1	F28	05525L260002	速度表遮阳板贴花	BENELLI STICKER,METER VISOR	1	
RFS150I	2	F28	05522L26B102	龙头前罩装饰板右贴花	RIGHT STICKER,FRONT DECORATIVE COVER	1	
RFS150I	3	F28	05524L26B102	前大罩面板右贴花	RIGHT STICKER,FRONT FACEPLATE	1	
RFS150I	4	F28	05512L26B102	右护板贴花	RIGHT STICKER,SIDE COVER	1	
RFS150I	5	F28	05501L260002	贝纳利圆形贴花	BENELLI STICKER	1	
RFS150I	6	F28	05542L26B102	右脚防护板贴花1	RFS RIGHT STICKER 1	1	
RFS150I	7	F28	05544L26B102	右脚防护板贴花2	RIGHT STICKER 2	1	
RFS150I	8	F28	05514L26B102	右前护板贴花	RIGHT STICKER	1	
RFS150I	9	F28	05546L26B102	右脚防护板贴花3	RIGHT STICKER 3	1	
RFS150I	10	F28	05545L26B102	左脚防护板贴花3	LEFT STICKER 3	1	
RFS150I	11	F28	05521L26B102	龙头前罩装饰板左贴花	LEFT STICKER,FRONT DECORATIVE COVER	1	
RFS150I	12	F28	05523L26B102	前大罩面板左贴花	LEFT STICKER,FRONT FACEPLATE	1	
RFS150I	13	F28	05511L26B102	左护板贴花	LEFT SIDE COVER	1	
RFS150I	14	F28	05541L26B102	左脚防护板贴花1	RFS LEFT STICKER 1	1	
RFS150I	15	F28	05543L26B102	左脚防护板贴花2	LEFT STICKER 2	1	
RFS150I	16	F28	05513L26B102	左前护板贴花	LEFT STICKER	1	



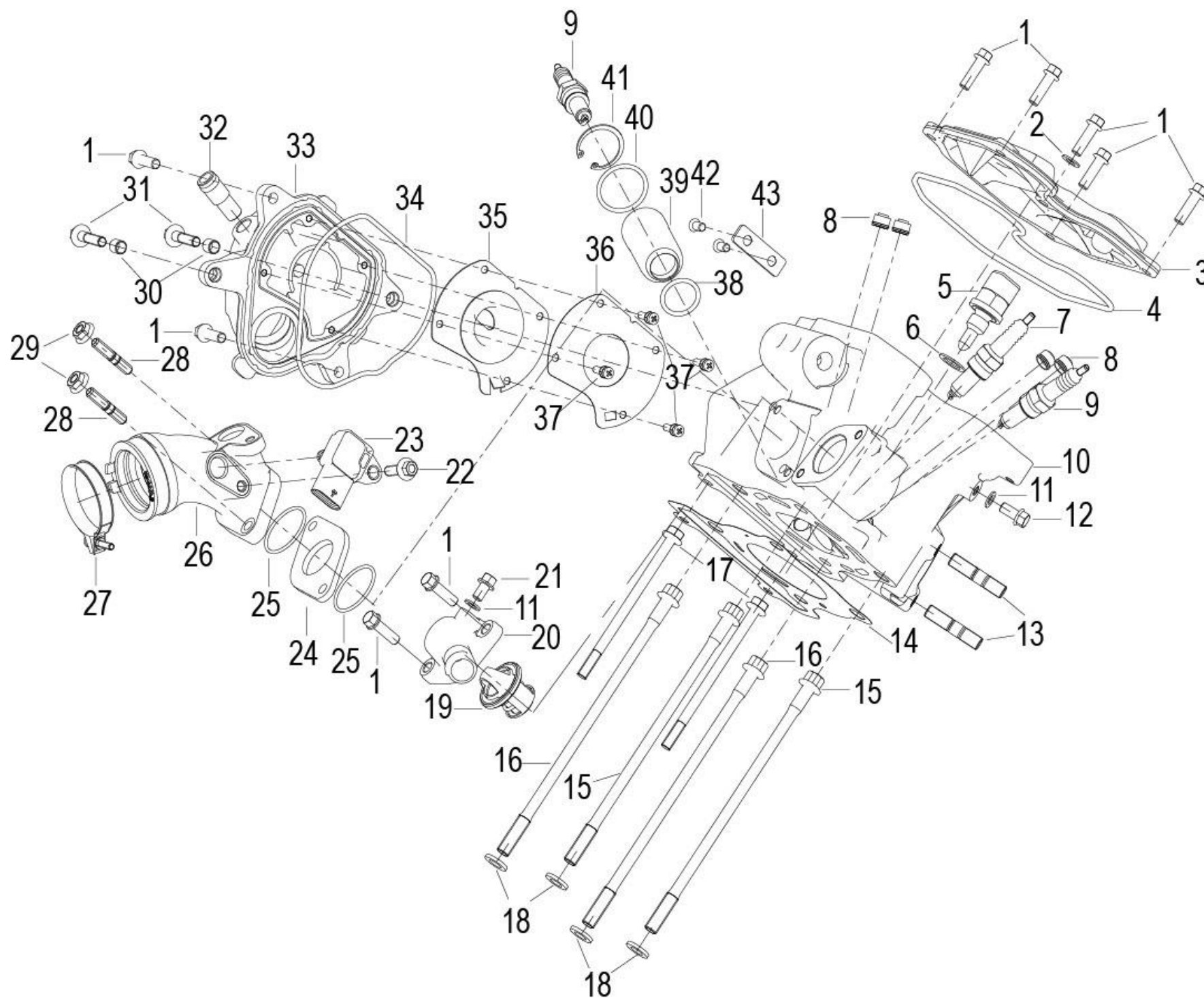


Model	NO.	Position No.	CODE	CN DESCRIPTION	EN DESCRIPTION	Qty/Unit	Remark
RFS150I	1	F29	05525L260002	速度表遮阳板贴花	BENELLI STICKER,METER VISOR	1	
RFS150I	2	F29	05522L26R202	龙头前罩装饰板右贴花	RIGHT STICKER,FRONT DECORATIVE COVER	1	
RFS150I	3	F29	05524L26R202	前大罩面板右贴花	RIGHT STICKER,FRONT FACEPLATE	1	
RFS150I	4	F29	05512L26R202	右护板贴花	RIGHT STICKER,SIDE COVER	1	
RFS150I	5	F29	05501L260002	贝纳利圆形贴花	BENELLI STICKER	1	
RFS150I	6	F29	05542L26R202	右脚防护板贴花1	RFS RIGHT STICKER 1	1	
RFS150I	7	F29	05544L26R202	右脚防护板贴花2	RIGHT STICKER 2	1	
RFS150I	8	F29	05514L26R202	右前护板贴花	RIGHT STICKER	1	
RFS150I	9	F29	05546L26R202	右脚防护板贴花3	RIGHT STICKER 3	1	
RFS150I	10	F29	05545L26R202	左脚防护板贴花3	LEFT STICKER 3	1	
RFS150I	11	F29	05521L26R202	龙头前罩装饰板左贴花	LEFT STICKER,FRONT DECORATIVE COVER	1	
RFS150I	12	F29	05523L26R202	前大罩面板左贴花	LEFT STICKER,FRONT FACEPLATE	1	
RFS150I	13	F29	05511L26R202	左护板贴花	LEFT SIDE COVER	1	
RFS150I	14	F29	05541L26R202	左脚防护板贴花1	RFS LEFT STICKER 1	1	
RFS150I	15	F29	05543L26R202	左脚防护板贴花2	LEFT STICKER 2	1	
RFS150I	16	F29	05513L26R202	左前护板贴花	LEFT STICKER	1	



Model	NO.	Position No.	CODE	CN DESCRIPTION	EN DESCRIPTION	Qty/Unit	Remark
RFS150I	1	F30	05525L260002	速度表遮阳板贴花	BENELLI STICKER,METER VISOR	1	
RFS150I	2	F30	05522L26K902	龙头前罩装饰板右贴花	RIGHT STICKER,FRONT DECORATIVE COVER	1	
RFS150I	3	F30	05524L26K902	前大罩面板右贴花	RIGHT STICKER,FRONT FACEPLATE	1	
RFS150I	4	F30	05512L26K902	右护板贴花	RIGHT STICKER,SIDE COVER	1	
RFS150I	5	F30	05501L260002	贝纳利圆形贴花	BENELLI STICKER	1	
RFS150I	6	F30	05542L26K902	右脚防护板贴花1	RFS RIGHT STICKER 1	1	
RFS150I	7	F30	05544L26K902	右脚防护板贴花2	RIGHT STICKER 2	1	
RFS150I	8	F30	05514L26K902	右前护板贴花	RIGHT STICKER	1	
RFS150I	9	F30	05546L26K902	右脚防护板贴花3	RIGHT STICKER 3	1	
RFS150I	10	F30	05545L26K902	左脚防护板贴花3	LEFT STICKER 3	1	
RFS150I	11	F30	05521L26K902	龙头前罩装饰板左贴花	LEFT STICKER,FRONT DECORATIVE COVER	1	
RFS150I	12	F30	05523L26K902	前大罩面板左贴花	LEFT STICKER,FRONT FACEPLATE	1	
RFS150I	13	F30	05511L26K902	左护板贴花	LEFT SIDE COVER	1	
RFS150I	14	F30	05541L26K902	左脚防护板贴花1	RFS LEFT STICKER 1	1	
RFS150I	15	F30	05543L26K902	左脚防护板贴花2	LEFT STICKER 2	1	
RFS150I	16	F30	05513L26K902	左前护板贴花	LEFT STICKER	1	

E01 CYLINDER HEAD(气缸盖、气缸盖罩分总成)

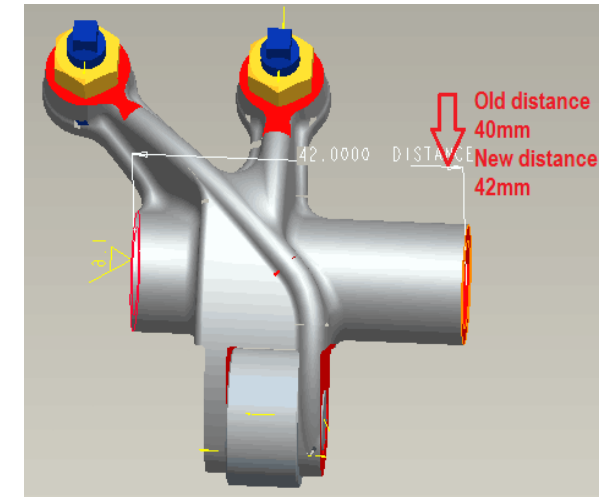
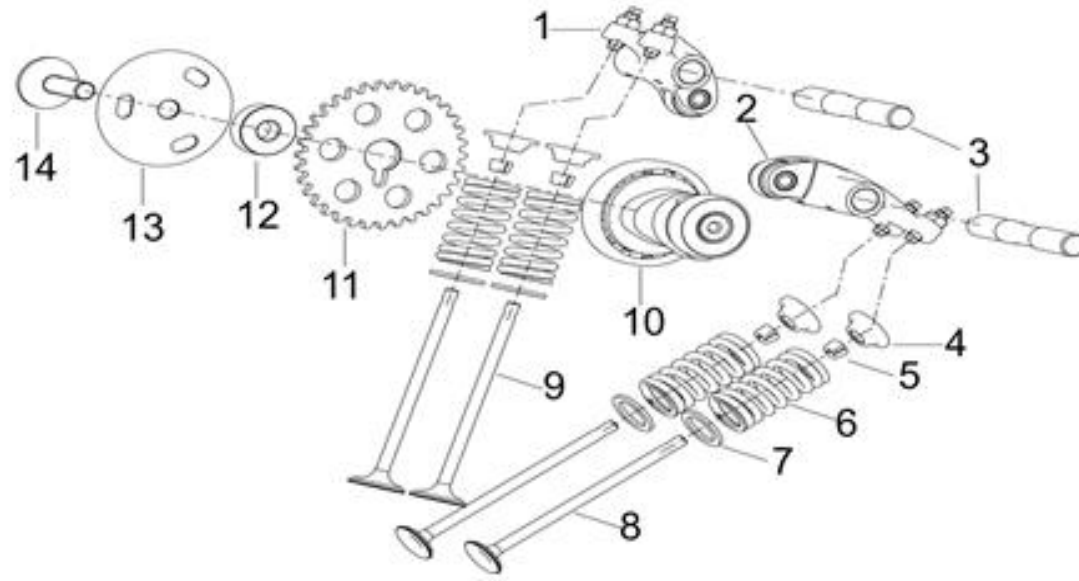


Model	NO.	Position No.	CODE	CN DESCRIPTION	EN DESCRIPTION	Qty/Unit	Remark
RFS150i	1	E01	B01070602064	六角法兰面螺栓M6x20	BOLT M6x20	9	
RFS150i	2	E01	150013070000	垫圈6	WASHER 6	1	
RFS150i	3	E01	109014470010	气缸盖罩(钱江灰)	CYLINDER HEAD COVER COMP,GREY	1	
RFS150l	3	E01	10901447JN01	气缸盖罩(电镀金)	CYLINDER HEAD COVER COMP,GOLDEN	1	
RFS150i	4	E01	109024460000	缸盖罩密封圈	RUBBER SEALS	1	
RFS150i	5	E01	280596090000	水温传感器	COOLANT TEMPERATURE SENSOR	1	
RFS150i	6	E01	270105100000	垫片12.2x18x1	WASHER 12.2x18x1	1	
RFS150i	7	E01	299074470010	火花塞	SPARK PLUG	1	
RFS150i	8	E01	120015090000	气门油封组件	VALVE STEM SEAL	4	
RFS150i	9	E01	AC-005-1201-0009	火花塞NGK	NGK SPARK PLUG	3	
RFS150i	10	E01	109054460010	气缸盖机加工组件(钱江灰)	CYLINDER HEAD ASSY,GREY ( NEW )	1	
RFS150l	10	E01	10905447JN01	气缸盖机加工组件(电镀金)	CYLINDER HEAD ASSYP,GOLDEN	1	
RFS150i	11	E01	150013070000	垫圈6	WASHER 6	2	
RFS150i	12	E01	B01070601263	六角法兰面螺栓M6x12	BOLT M6x12	1	
RFS150i	13	E01	B0300080206H	螺柱M8x20	STUDS M8x20	2	
RFS150i	14	E01	109074460000	气缸盖密封垫(三层)	CYLINDER HEAD GASKET,THREE LAYERS	1	three layers,start vin ZBNL26007KBA06117
RFS150i	15	E01	100084460000	气缸盖螺栓	CYLINDER HEAD BOLT	2	
RFS150i	16	E01	100014460000	气缸盖螺栓	CYLINDER HEAD BOLT	2	
RFS150i	17	E01	17001305011X	六角法兰面螺栓M6x100	BOLT M6x100	2	
RFS150i	18	E01	100054460000	垫片8	WASHER 8	4	
RFS150i	19	E01	279165050000	节温器	THERMOSTAT ASSY	1	
RFS150i	20	E01	100024410010	恒温器盖(钱江灰)	THERMOSTAT COVER,GREY	1	
RFS150l	20	E01	10002441JN01	恒温器盖(电镀金)	THERMOSTAT COVER,GOLDEN	1	
RFS150i	21	E01	B0107060106H	螺栓M6x10	BOLT M6x10	1	
RFS150i	22	E01	B0107060186H	螺栓M6x18	BOLT M6x18	1	
RFS150i	23	E01	290016250000	进气温度压力传感器	TEMPERATURE SENSOR,INTAKE	1	
RFS150i	24	E01	109154460000	隔热垫	HEAT INSULATION BODY	1	
RFS150i	25	E01	B190103000A0	O形密封圈	O-RING	2	
RFS150i	26	E01	119014470010	进气管组件	INLET AIR DUCT	1	
RFS150i	27	E01	110043090004	卡箍组件	CLAMP ASSY	1	
RFS150i	28	E01	120073050020	短双头螺柱	SHORT STUD	2	



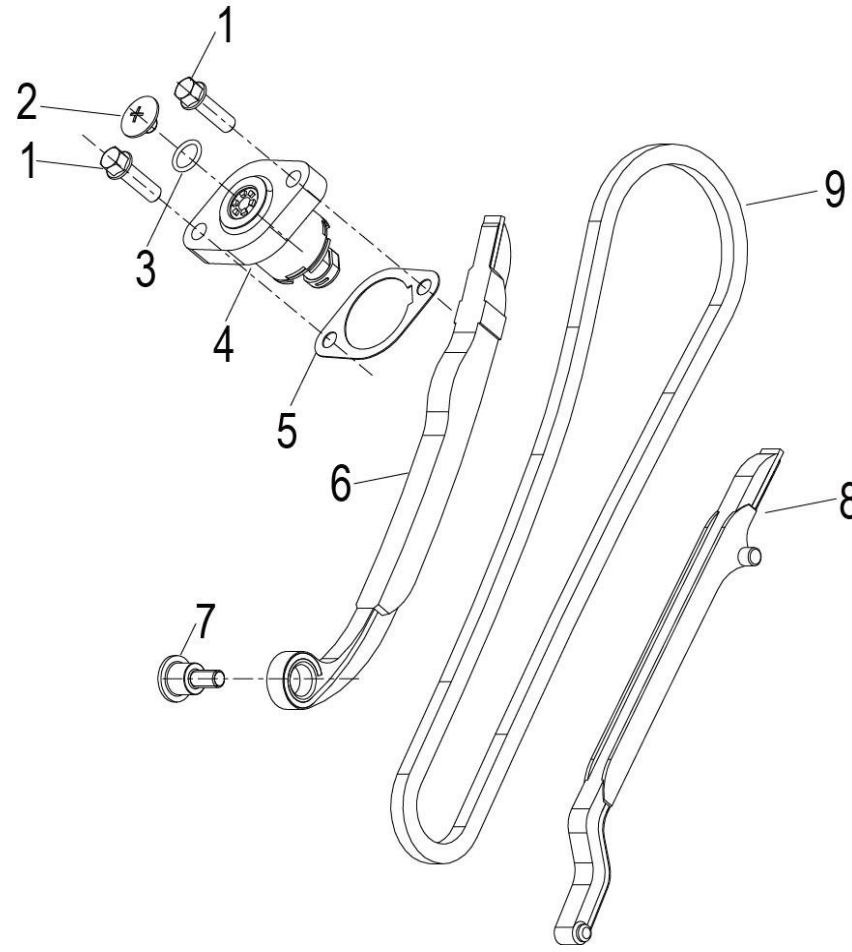
Model	NO.	Position No.	CODE	CN DESCRIPTION	EN DESCRIPTION	Qty/Unit	Remark
RFS150i	29	E01	B0407060005H	六角法兰面螺母M6	NUT M6	2	
RFS150i	30	E01	200086030000	定位销Φ8×8	DOWEL PIN Φ8×8	2	
RFS150i	31	E01	B0107060256H	六角法兰面螺栓M6×25	BOLT M6×25	2	
RFS150i	32	E01	150084230000	通气管	PIPE	1	
RFS150i	33	E01	100024460011	链轮盖(钱江灰)	CHAIN WHEEL COVER,GREY	1	
RFS150l	33	E01	10002446JN01	链轮盖(电镀金)	CHAIN WHEEL COVER,GOLDEN	1	
RFS150i	34	E01	100034460000	链轮盖密封圈	SEAL RING,CHAIN WHEEL COVER	1	
RFS150i	35	E01	100064460000	呼吸室盖分组件	BREATHING ROOM COVER	1	
RFS150i	36	E01	100434460000	密封纸垫	GASKET	1	
RFS150i	37	E01	B13080401023	组合螺钉M4×10	SCREW W/WASHER M4×10	4	
RFS150i	38	E01	150283070000	O型圈	O-RING	1	
RFS150i	39	E01	100044460000	火花塞套	SPARK PLUG COVER	1	
RFS150i	40	E01	120202140000	O型密封圈	O-RING	1	
RFS150i	41	E01	B08000002800	孔用弹性挡圈	CIRCLIP	1	
RFS150i	42	E01	B0201050106H	十字槽沉头螺钉M5×10	SCREW M5×10	2	
RFS150i	43	E01	100074460000	摇臂轴挡板	BACK PLATE,ROCKER ARM SHAFT	1	

E02 VALVE MECHANISM SUB-ASSEMBLY(配气机构分总成)



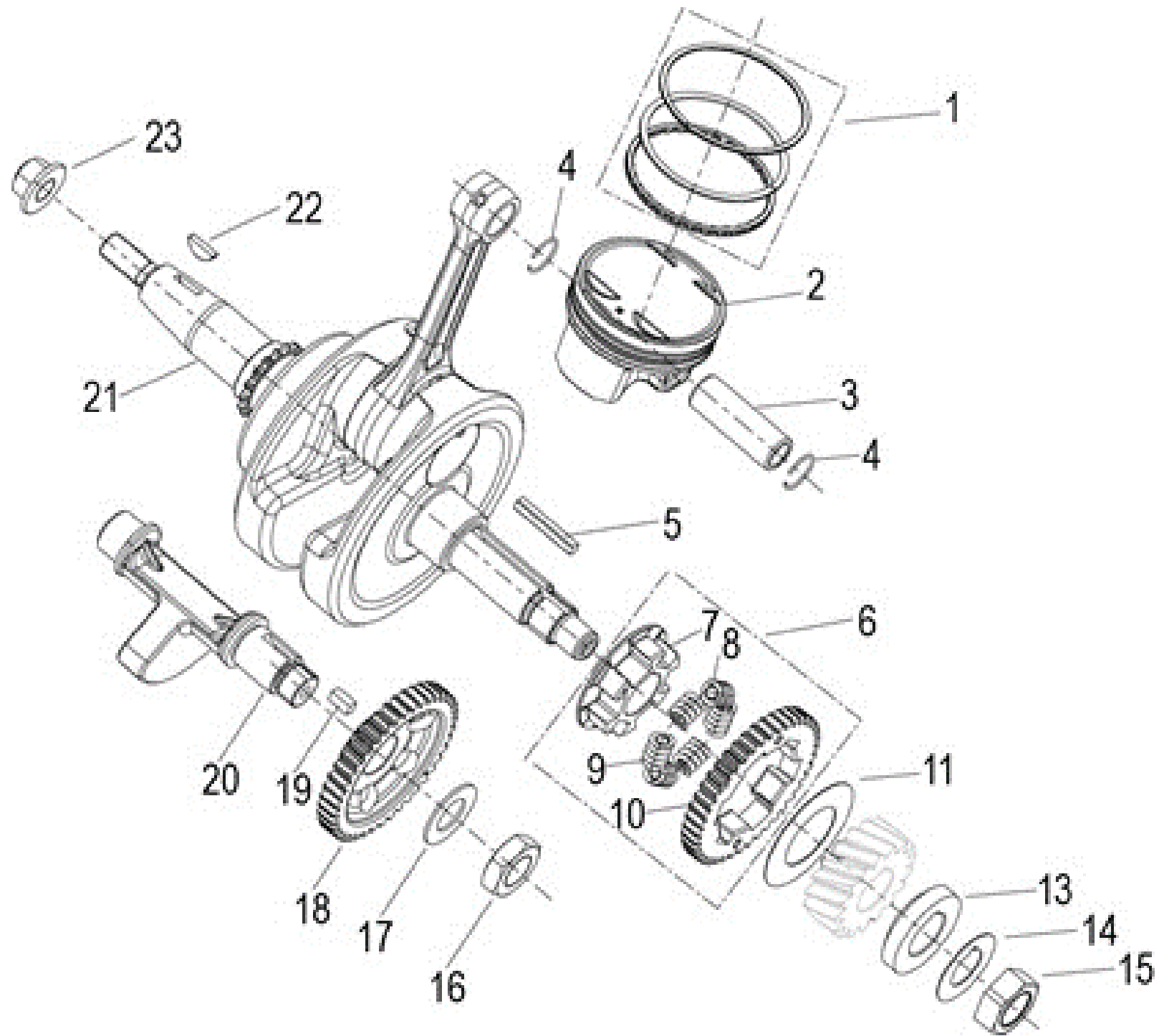
Model	NO.	Position No.	CODE	CN DESCRIPTION	EN DESCRIPTION	Qty/Unit	Remark
RFS150i	1	E02	129314460000	进气摇臂组件	INTAKE ROCKER ARM	1	
RFS150i	2	E02	129324460000	排气摇臂组件	EXHAUST ROCKER ARM	1	
RFS150i	3	E02	129164410000	摇臂轴	ROCKER ARM SHAFT	2	
RFS150i	4	E02	129202290000	气门弹簧盘	RETAINER, VALVE SPRING	4	
RFS150i	5	E02	129225090000	气门锁夹	VALVE COTTER	8	
RFS150i	6	E02	129254410000	气门弹簧	VALVE SPRING	4	
RFS150i	7	E02	129212290000	气门弹簧下座	VALVE LOWER SPRING SEAT	4	
RFS150i	8	E02	129194460000	排气门	EXHAUST VALVE	2	
RFS150i	9	E02	129184460000	进气门	INTAKE VALVE	2	
RFS150i	10	E02	129094460000	凸轮轴组件	CAMSHAFT ASSY.	1	
RFS150l	10	E02	129094460010	凸轮轴组件(SKF轴承)	CAMSHAFT ASSY.SKF bearing	1	
RFS150i	11	E02	129034410000	凸轮轴从动链轮	SPROCKET	1	
RFS150i	12	E02	100424460000	垫片	RUBBER PLUG	1	
RFS150i	13	E02	100414460000	离心挡板	BAFFLE	1	
RFS150i	14	E02	120014410010	链轮螺栓	BOLT	1	

E03 STRAINER UNIT ASSEMBLY(正时传动机构分总成)



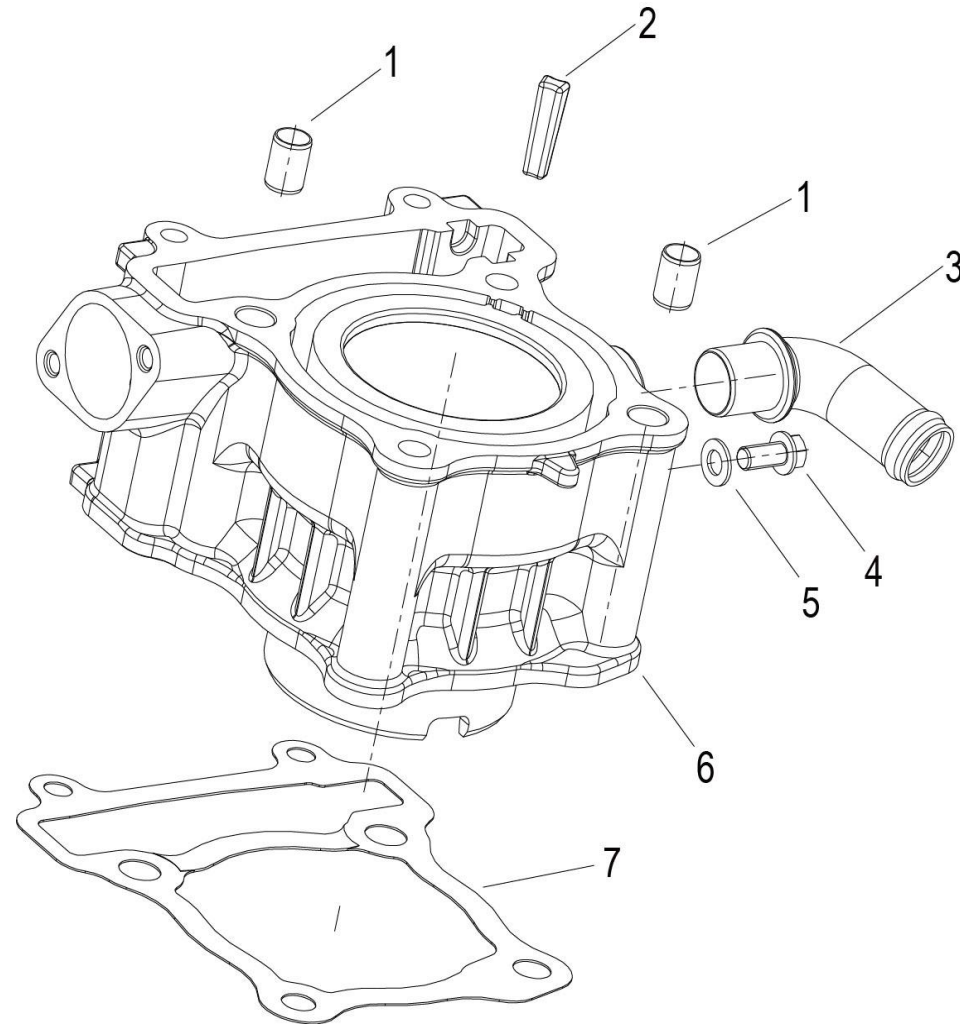
Model	NO.	Position No.	CODE	CN DESCRIPTION	EN DESCRIPTION	Qty/Unit	Remark
RFS150i	1	E03	B01070602064	螺栓M6X20	HEXAGON BOLTS WITH FLANGE	2	
RFS150i	2	E03	14005305001X	堵钉	TENSIONER BOLT	1	
RFS150i	3	E03	210043050000	O型圈	O-RING	1	
RFS150i	4	E03	149033140080	张紧器(钱江灰)	TENSIONER ASSY,GREY	1	
RFS150i	5	E03	140013050040	分气链条调整垫片	GASKET	1	
RFS150i	6	E03	149014410000	主导链板	REAR CHAIN GUIDE ASSY.	1	
RFS150i	7	E03	140053630000	主导链板螺钉	PIVOT, CAM CHAIN TENSIONER	1	
RFS150i	8	E03	149024410000	副导链板组件	FRONT CHAIN GUIDE	1	
RFS150i	9	E03	140023140010	链条	OIL PUMP DRIVE CHAIN	1	

E04 PISTON,CONNECTING ROD & CRANKSHAFT ASSY(活塞连杆曲轴平衡轴分总成)



Model	NO.	Position No.	CODE	CN DESCRIPTION	EN DESCRIPTION	Qty/Unit	Remark
RFS150i	1	E04	17009309003Z	活塞环组件	PISTON RING	1	
RFS150i	2	E04	179134410021	活塞	PISTON	1	
RFS150i	3	E04	149144100000	活塞销	PISTON PIN	1	
RFS150i	4	E04	179153090000	活塞销挡圈	PISTON PIN CLIP	2	
RFS150i	5	E04	B11120404028	平键	STRAIGHT KEY	1	
RFS150i	6	E04	179274410010	平衡轴齿轮组件	BALANCER GEAR ASSY	1	
RFS150i	7	E04	170034410010	驱动齿轮轴套	BUSH	1	
RFS150i	8	E04	170204410010	减震块	DAMPING BLOCK	6	
RFS150i	9	E04	170194410010	减震弹簧	DAMPING SPRING	6	
RFS150i	10	E04	179284410010	平衡轴驱动齿轮	BALANCE SHAFT DRIVE GEAR	1	
RFS150i	11	E04	170144410000	蝶形弹簧	DISC SPRING	1	
RFS150i	13	E04	269063090000	机油泵主动齿轮	OIL PUMP DRIVE GEAR	1	
RFS150i	14	E04	170023090000	锁紧垫片	LOCK WASHER	1	
RFS150i	15	E04	170013090000	螺母M16X1.5	NUT M16X1.5	1	
RFS150i	16	E04	170065150110	螺母M14X1	NUT M14X1	1	
RFS150i	17	E04	170024320000	锥型垫片	CONICAL WASHER	1	
RFS150i	18	E04	179264410000	平衡轴齿轮	BALANCE SHAFT GEAR	1	
RFS150i	19	E04	B11130040008	平键4x8	KEY 4x8	1	
RFS150i	20	E04	179254410000	平衡轴	BALANCE SHAFT	1	
RFS150i	21	E04	179014410000	曲轴连杆组件	CRANKSHAFT ASSY	1	
RFS150i	22	E04	B11810305013	半圆键	WOODRUFF KEY	1	
RFS150i	23	E04	260092140100	螺母	NUT	1	

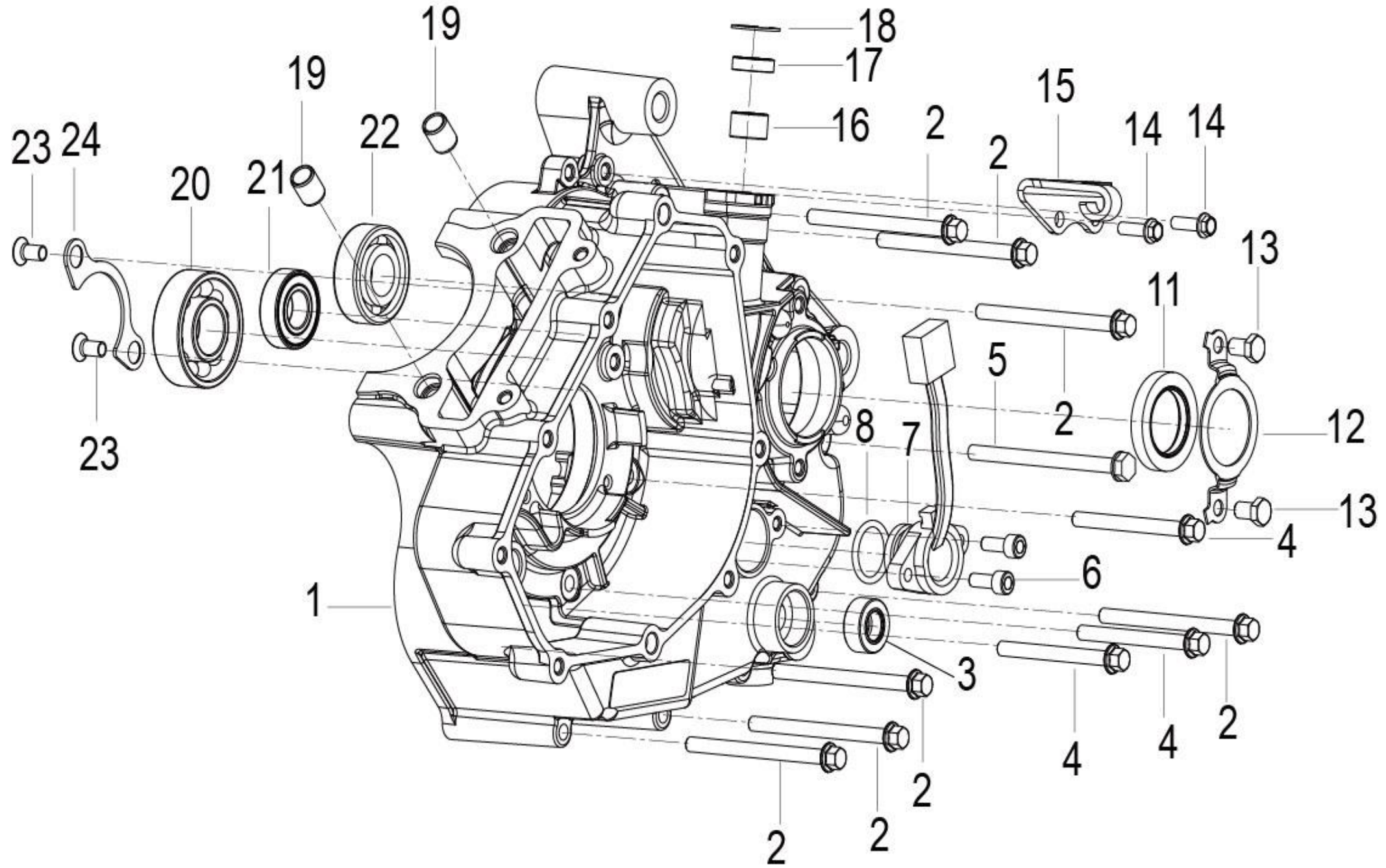
E05 CYLINDER ASSY(气缸体分总成)



Model	NO.	Position No.	CODE	CN DESCRIPTION	EN DESCRIPTION	Qty/Unit	Remark
RFS150i	1	E05	150083070000	定位销	DOWEL PIN	2	
RFS150i	2	E05	139054410000	橡胶塞	RUBBER PLUG	1	
RFS150i	3	E05	279085150000	进水管	INLET HOSE	1	
RFS150i	4	E05	B01070601263	螺栓M6X12	BOLT M6X12	1	
RFS150i	5	E05	150013070000	定位垫片6×11	WASHER 6X11	1	
RFS150i	6	E05	13901446HT01	气缸体组件(钱江灰)	CYLINDER COMP,GREY	1	
RFS150I	6	E05	13901446JN01	气缸体组件(电镀金)配三层密封垫A标记	CYLINDER COMP,GOLDEN,MARK:A	1	
RFS150i	7	E05	139024410010	气缸体垫片	CYLINDER GASKET	1	

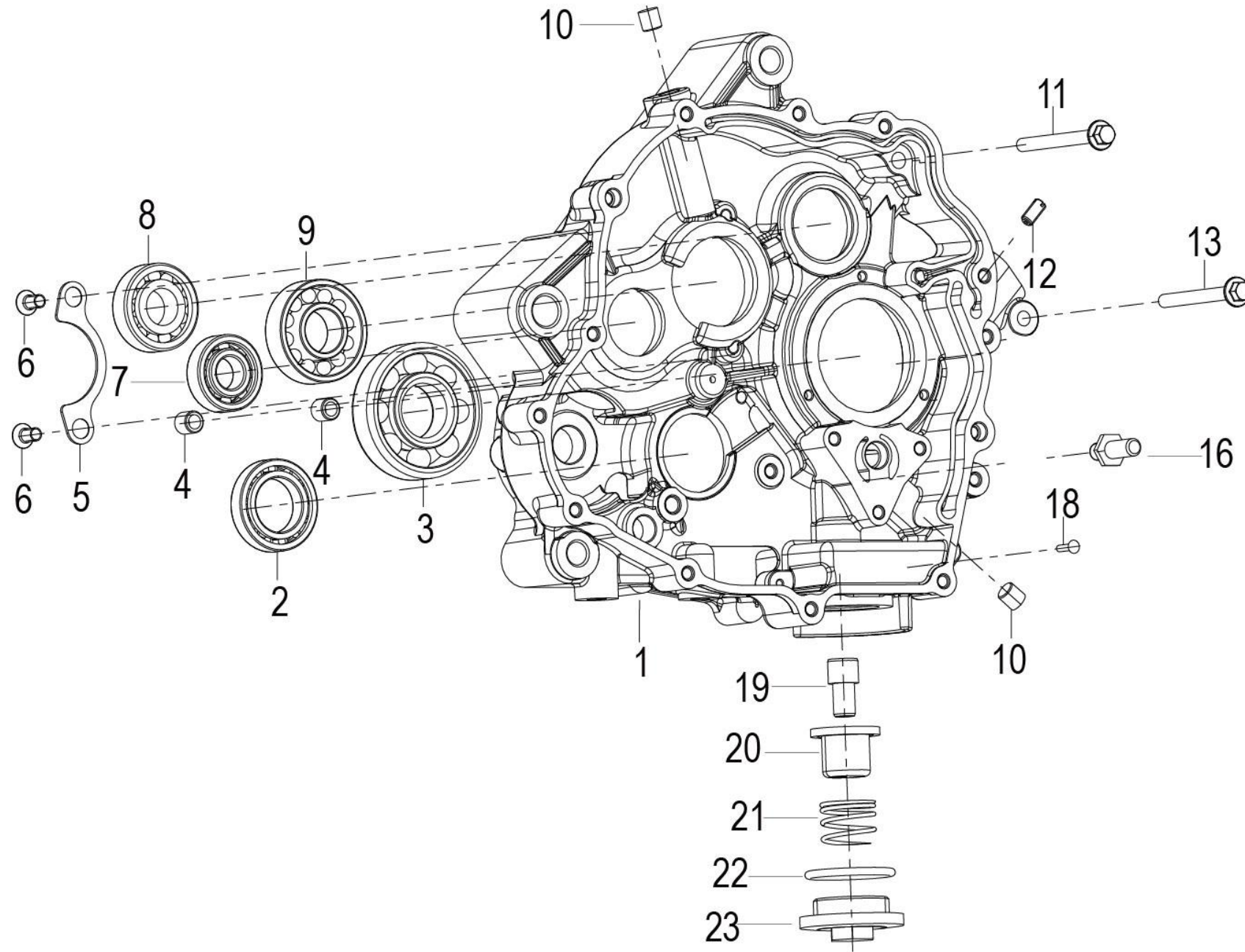


E06 LEFT CRANKCASE ASSY



Model	NO.	Position No.	CODE	CN DESCRIPTION	EN DESCRIPTION	Qty/Unit	Remark
RFS150i	1	E06	150024410010	左曲轴箱组件(钱江灰)	LEFT CRANKCASE ASSY,GREY	1	
RFS150i	1	E06	15002441JN01	左曲轴箱组件(电镀金)	LEFT CRANKCASE ASSY,GOLDEN	1	
RFS150i	2	E06	B01070607564	螺栓M6X75	BOLT M6X75	7	
RFS150i	3	E06	210373090000	油封12X22X9	OIL SEA 12X22X9	1	
RFS150i	4	E06	B01070606064	螺栓M6X60	BOLT M6X60	3	
RFS150i	5	E06	B0107060806H	螺栓M6X80	BOLT M6X80	1	
RFS150i	6	E06	B0205050166H	内六角圆柱头螺钉M5X16	SCREW M5X16	2	
RFS150i	7	E06	159124410000	档位传感器	GEARSHIFT SENSOR	1	
RFS150i	8	E06	B190102030B0	O型圈20.3x2.65	O-RING 20.3X2.65	1	
RFS150i	11	E06	210073090000	油封27x40x6	OIL SEAL 27X40X6	1	
RFS150i	12	E06	210093090000	油封盖	OIL SEAL COVER	1	
RFS150i	13	E06	B01030601063	螺栓M6X10	BOLT M6X10	2	
RFS150i	14	E06	B0107060146H	内六角螺钉 M6X14	BOLT M6X14	2	
RFS150i	15	E06	159134410000	离合器接线导向支架	CLUTCH WIRE GUIDE BRACKET	1	
RFS150i	16	E06	B1212K121002	滚针轴承12x16x10	NEEDLE ROLLER BEARING 12X16X10	1	
RFS150i	17	E06	200001050000	分离杆油封	OIL SEAL	1	
RFS150i	18	E06	B080000020AA	孔用弹性挡圈20	CIRCLIP 20	1	
RFS150i	19	E06	130023090000	定位销	PIN	2	
RFS150i	20	E06	B12016020410	滚动轴承6204 (进口)	BALL BEARING 6204	1	
RFS150i	21	E06	B12016000204	深沟球轴承6002-Z	BEARING 6002-Z	1	
RFS150i	22	E06	B12016020314	滚动轴承6203	BALL BEARING 6203	1	
RFS150i	23	E06	B02010601263	螺钉M6X12	SCREW M6X12	2	
RFS150i	24	E06	150113090000	挡片	BLOCK PLATE	1	

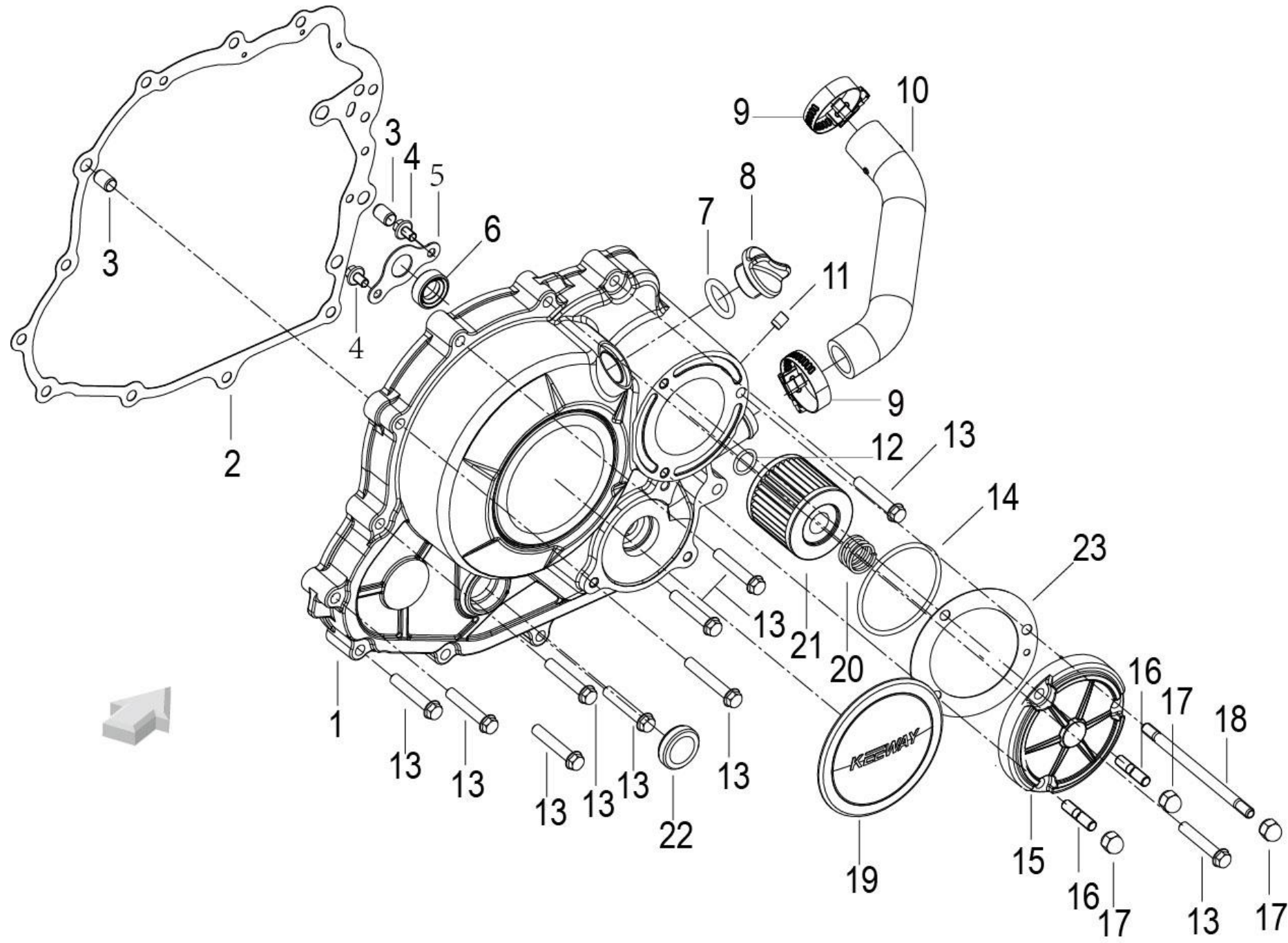
E07 RIGHT CRANKCASE ASSY



Model	NO.	Position No.	CODE	CN DESCRIPTION	EN DESCRIPTION	Qty/Unit	Remark
RFS150i	1	E07	150034410010	右曲轴箱组件(钱江灰)	RIGHT CRANKCASE ASSY,GREY	1	
RFS150i	1	E07	15003441JN01	右曲轴箱组件(电镀金)	RIGHT CRANKCASE ASSY,GOLDEN	1	
RFS150i	2	E07	B12016190503	滚动轴承61905	BEARING 61905	1	
RFS150i	3	E07	B12016030501	滚动轴承	BALL BEARING	1	
RFS150i	4	E07	150083070000	定位销	DOWEL PIN	2	
RFS150i	5	E07	150113090000	挡片	BLOCK PLATE	1	
RFS150i	6	E07	B02010601263	螺钉M6X12	SCREW M6X12	2	
RFS150i	7	E07	B12016020211	滚动轴承	BALL BEARING	1	
RFS150i	8	E07	B12016020314	滚动轴承6203	BALL BEARING 6203	1	
RFS150i	9	E07	B12016020410	滚动轴承6204	BALL BEARING 6204	1	
RFS150i	10	E07	150035140000	堵头	PLUG ( for vehicle vin before ZBNL26009JB915830 )	2	
RFS150i	10	E07	150166090000	锥形塞M10x1	CONE PLUG M10x1 ( start vin:ZBNL26009JB915830 )	2	
RFS150i	11	E07	B01070607064	螺栓M6X70	BOLT M6X70	1	
RFS150i	12	E07	159336190000	油路限流堵头	PLUG	1	
RFS150i	13	E07	B01070606564	螺栓M6X65	BOLT M6X65	1	
RFS150i	16	E07	21010405002X	限位挡钉	LIMIT BLOCK NAIL	1	
RFS150i	18	E07	150126030000	铆钉3X13	RIVET 3X13	1	
RFS150i	19	E07	150045050000	吸油管	HOSE	1	
RFS150i	20	E07	150105050000	滤网组件	SIEVE ASSY	1	
RFS150i	21	E07	150195050000	弹簧	SPRING	1	
RFS150i	22	E07	150205040000	o型圈II	O RING II	1	
RFS150i	23	E07	150215040000	放油螺塞	DRAIN PLUG	1	



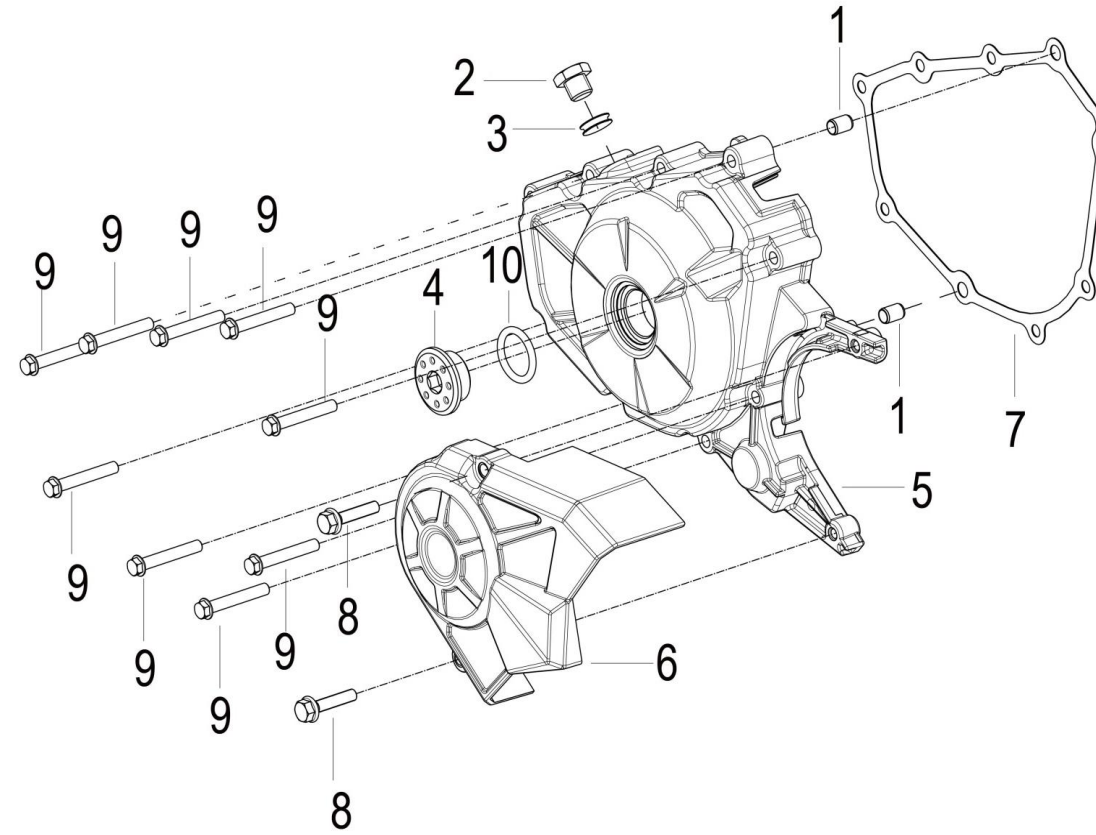
E08 RIGHT COVER ASSY



Model	NO.	Position No.	CODE	CN DESCRIPTION	EN DESCRIPTION	Qty/Unit	Remark
RFS150i	1	E08	16910446HT01	右盖(钱江灰)	RIGHT COVER,GREY	1	
RFS150I	1	E08	16910446JN01	右盖(电镀金)	RIGHT COVER,GOLDEN	1	
RFS150i	2	E08	169114410010	右盖垫片	RIGHT COVER GASKET	1	
RFS150i	3	E08	160056030000	定位销	DOWEL PIN	2	
RFS150i	4	E08	B01070500864	螺栓M5x8	BOLT M5X8	2	
RFS150i	5	E08	160034410000	压板	SEAL PLATE	1	
RFS150i	6	E08	160023090000	曲轴油封	OIL SEAL	1	
RFS150i	7	E08	B190101700C0	O型圈17x3.55	O-RING 17X3.55	1	
RFS150i	8	E08	160024460010	加油口螺塞	OIL FILLER PLUG	1	
RFS150I	8	E08	16002446JN01	加油口螺塞(电镀金)	OIL FILLER PLUG,GOLDEN	1	
RFS150i	9	E08	08060B450000	卡箍16-25	CLAMP 16-25	2	
RFS150i	10	E08	279094460000	出水管	OUTLET HOSE	1	
RFS150i	11	E08	150103070000	堵头	PLUG	1	
RFS150i	12	E08	B190101250A0	O型圈	O-RING	1	
RFS150i	13	E08	B0107060356H	螺栓M6x35	BOLT M6X35	10	
RFS150i	14	E08	B190105260B0	O形圈	O-RING	1	
RFS150i	15	E08	160014410010	机滤盖(钱江灰)	OIL FILTER COVER,,GREY	1	
RFS150I	15	E08	16001441JN01	机滤盖(电镀金)	OIL FILTER COVER,GOLDEN	1	
RFS150i	16	E08	B0300060126H	双头螺柱M6x12	STUB BOLT M6X12	2	
RFS150i	17	E08	B04220600034	M6盖形螺母	NUT M6	3	
RFS150i	18	E08	160024410010	双头螺柱	STUB BOLT	1	
RFS150i	19	E08	160123420030	右盖铝标牌(Benelli字样)	ENGINE SIDE COVER PLATE,MARK:Benelli	1	
RFS150i	20	E08	160033090000	弹簧	SPRING	1	
RFS150i	21	E08	160043090000	纸质滤芯组件	FILTER	1	
RFS150i	22	E08	160083090000	油面指示器组合	OIL LEVEL INDICATOR	1	
RFS150i	23	E08	160373210010	机滤盖垫片	GASKER,FILTER	1	

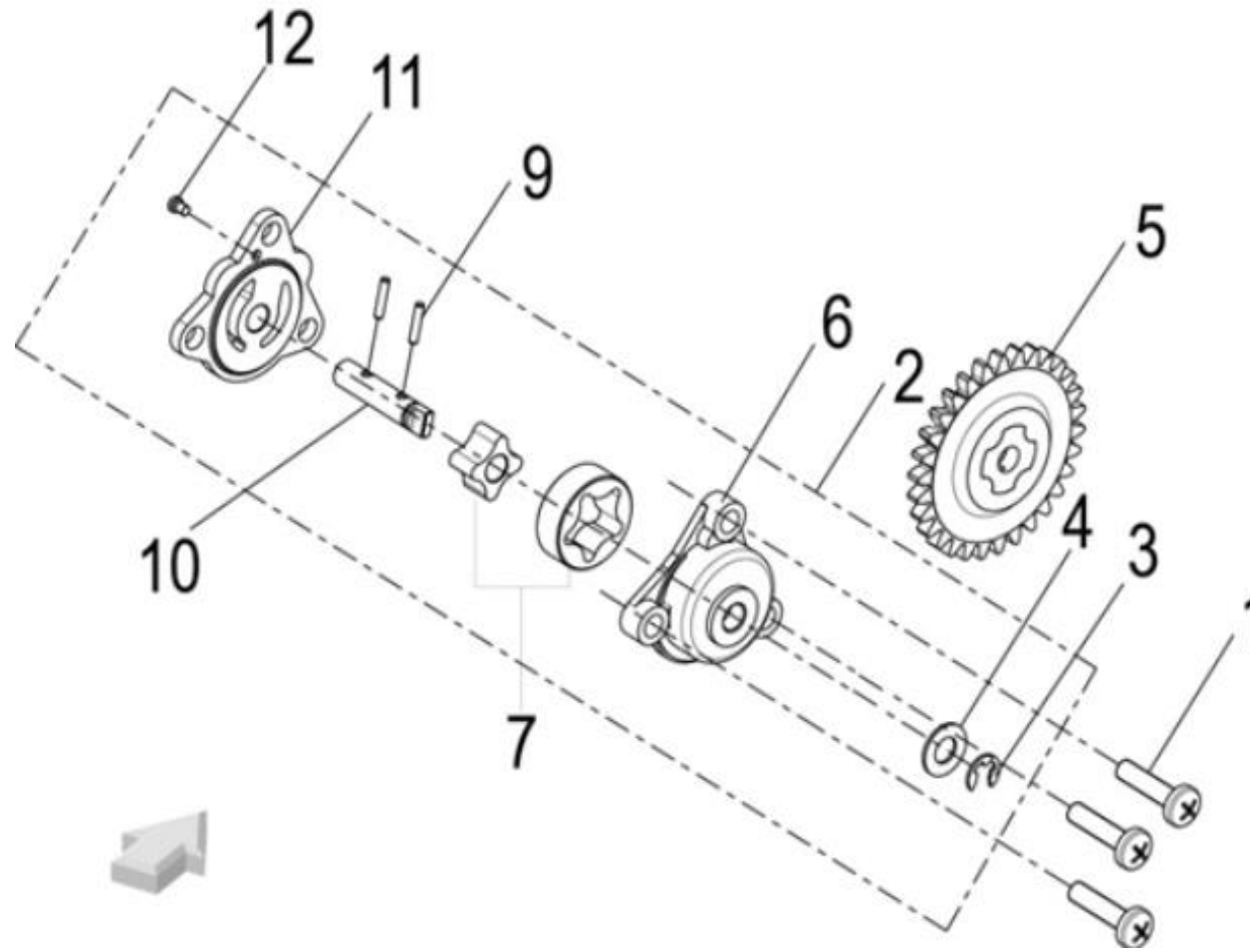


E09 LEFT COVER ASSY



Model	NO.	Position No.	CODE	CN DESCRIPTION	EN DESCRIPTION	Qty/Unit	Remark
RFS150i	1	E09	160056030000	定位销	DOWEL PIN	2	
RFS150i	2	E09	160203090002	螺塞	BOLT PLUG	1	
RFS150i	3	E09	160253090000	螺塞垫片	WASHER	1	
RFS150i	4	E09	160383090000	磁电机螺塞	PLUG,COVER MAGNETO	1	
RFS150i	4	E09	16038309JN01	磁电机螺塞(电镀金)	PLUG,COVER MAGNETO,GOLDEN	1	
RFS150i	5	E09	169024410010	左盖(钱江灰)	LEFT COVER,GREY	1	
RFS150i	5	E09	16902441JN01	左盖(电镀金)	LEFT COVER,GREY,GOLDEN	1	
RFS150i	6	E09	169064410010	左后盖组件	LEFT REAR LID ASSEMBLY	1	
RFS150i	6	E09	16906441JN01	左后盖组件(电镀金)	LEFT REAR LID ASSEMBLY,GOLDEN	1	
RFS150i	7	E09	169074410010	左盖垫片	LEFT COVER GASKET	1	
RFS150i	8	E09	B0107060286H	螺栓M6X28	BOLT M6X28	2	
RFS150i	9	E09	B0107060406H	螺栓M6X40	BOLT M6X40	9	
RFS150i	10	E09	B190102240C0	O型密封圈	O-RING	1	

E10 OIL PUMP ASSY



Model	NO.	Position No.	CODE	CN DESCRIPTION	EN DESCRIPTION	Qty/Unit	Remark
RFS150i	1	E10	B0107060256H	内六角螺钉M6x25	SCREW M6X25	3	
RFS150i	2	E10	269014460030	机油泵组件	OIL PUMP ASSY	1	
RFS150i	3	E10	B08030000600	挡圈6x6	CIRCLIP 6x6	1	
RFS150i	4	E10	260053300000	垫圈	WASHER	1	
RFS150i	5	E10	269084460020	机油泵齿轮组件	OIL PUMP GEAR ASSY	1	
RFS150i	6	E10	260043090000	机油泵体	OIL PUMP BODY	1	
RFS150i	7	E10	269043090000	内外转子	OIL PUMP INNER & OUTER ROTOR	1	
RFS150i	9	E10	B09012501220	销B2.5x12	PIN B2.5x12	2	
RFS150i	10	E10	260064460020	机油泵轴	OIL PUMP SHAFT	1	
RFS150i	11	E10	260013090000	机油泵座	OIL PUMP SEAT	1	
RFS150i	12	E10	B02000300522	十字槽盘头螺钉M3x5	SCREW M3X5	1	



Model	NO.	Position No.	CODE	CN DESCRIPTION	EN DESCRIPTION	Qty/Unit	Remark
RFS150i	1	E11	209014410000	离合器组件	CLUTCH ASSY	1	
RFS150i	2	E11	200053090000	轴套	SPACER	1	
RFS150i	3	E11	200573090000	离合器主动毂组件	CLUTCH HOUSING	1	
RFS150i	4	E11	200073090000	离合器从动毂	CLUTCH HUB	1	
RFS150i	5	E11	200083090000	离合器摩擦片组件	FRICITION PLATE	5	
RFS150i	6	E11	200093090000	从动片	CLUTCH PLATE	4	
RFS150i	7	E11	209144410000	离合器弹簧	CLUTCH SPRING	5	
RFS150i	8	E11	200103090000	压力盘	PRESSURE PLATE	1	
RFS150i	9	E11	B13010501605	组合螺钉M5x16	SCREW W/WASHER M5x16	5	
RFS150i	10	E11	B0402060000H	六角薄螺母M6	NUT M6	1	
RFS150i	11	E11	20013309001X	一字槽调节螺钉	SLOTTED ADJUSTING SCREW	1	
RFS150i	12	E11	200143090000	轴承座	BEARING SEAT	1	
RFS150i	13	E11	B1203M152800	推力垫圈	THRUST WASHER	2	sub part of 200123090000 (item E11-14)
RFS150i	14	E11	200123090000	平面滚针轴承	NEEDLE BEARING	1	
RFS150i	15	E11	200013210020	推杆	PUSH ROD	1	
RFS150i	16	E11	209044410000	分离杆组件	RELEASE LEVER ASSEMBLY	1	
RFS150i	17	E11	200024410000	回位弹簧	RETURN SPRING	1	
RFS150i	18	E11	200153090000	锁紧螺母	NUT	1	
RFS150i	19	E11	200163090000	锁紧垫圈	LOCKING WASHER	1	
RFS150i	20	E11	200043090000	止推垫圈	THRUST WASHER	1	
RFS150i	21	E11	170014410000	离合器主动齿轮	CLUTCH DRIVE GEAR	1	

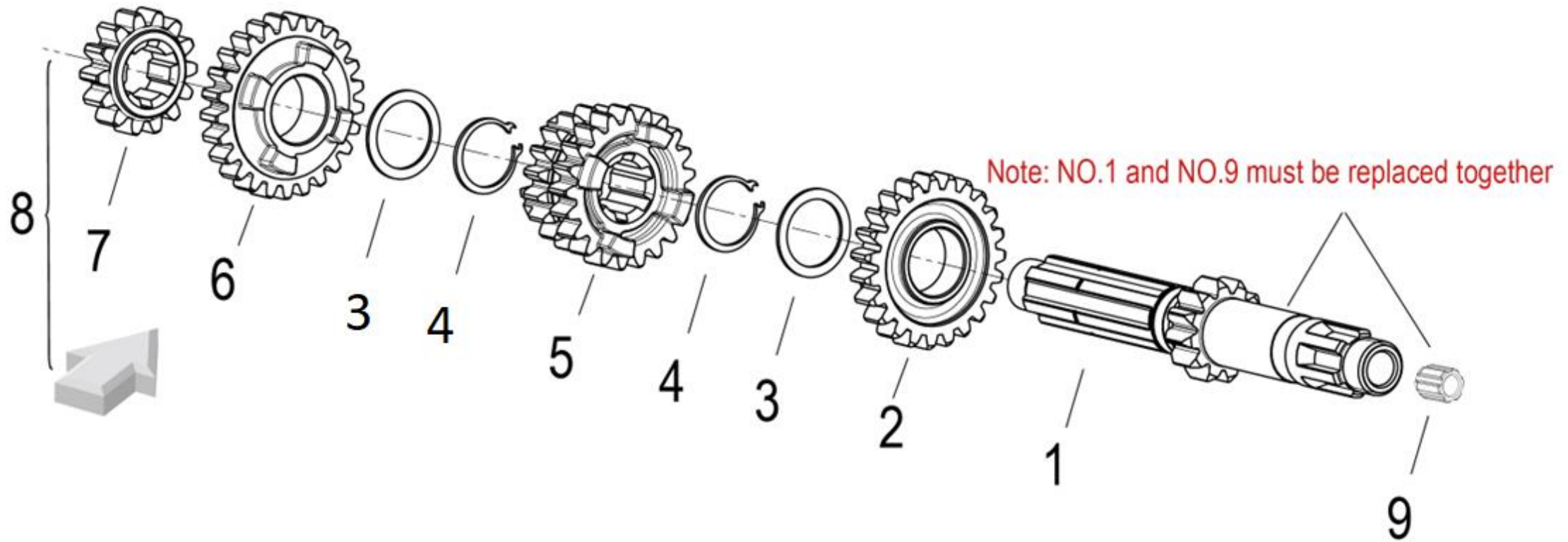




Model	NO.	Position No.	CODE	CN DESCRIPTION	EN DESCRIPTION	Qty/Unit	Remark
RFS150i	1	E12	219014410010	变档轴组件	SHIFT LEVER ASSEMBLY	1	
RFS150i	2	E12	B01070602064	六角法兰面螺栓M6x20	FLANGE BOLT M6x20	1	
RFS150i	3	E12	219344410000	垫圈	WASHER	1	
RFS150i	4	E12	210026030000	止动臂弹簧	STOPPER LEVER SPRING	1	
RFS150i	5	E12	210416030010	摇臂组件	STOPPER LEVER	1	
RFS150i	6	E12	219334410000	垫片	WASHER	1	
RFS150i	7	E12	210343090000	垫片6.2x14x2.2	WASHER 6.2x14x2.2	1	
RFS150i	8	E12	210014410000	星轮螺钉	BOLT	1	
RFS150i	9	E12	210366030000	荆轮	PLATE COMP,GEARSHIFT DRUM STOPPER	1	
RFS150i	10	E12	210356030000	定位销	DOWEL PIN	1	
RFS150i	11	E12	219054410000	变档鼓	SHIFT DRUM	1	
RFS150i	12	E12	210313090000	触头弹簧	PROD SPRING	1	
RFS150i	13	E12	210323090000	变档转换触头	SHIFT PROD	1	
RFS150i	14	E12	B080100015A0	轴用弹性挡圈	CIRCLIPS FOR SHAFT	1	
RFS150i	15	E12	210133090000	止推垫圈(内)15	THRUST WASHER	3	
RFS150i	16	E12	210034410000	轴套	COLLAR	1	
RFS150i	17	E12	210013210000	主轴轴套	AXLE SLEEVE,MAIN SHAFT ASSY	1	
RFS150i	18	E12	B190101900B1	O形密封圈	O RING	1	
RFS150i	19	E12	210053090000	轴套	COLLAR	1	
RFS150i	20	E12	219313090000	锁片	WASHER	1	
RFS150i	21	E12	219304410000	主动链轮	DRIVE SPROCKET	1	
RFS150i	22	E12	210063090100	锁紧螺母M16x1.5	NUT M16x1.5	1	
RFS150i	23	E12	219093090000	拨叉轴	SHIFT FORK SHAFT	1	
RFS150i	24	E12	219124410000	右拨叉	RIGHT SHIFT FORK	1	
RFS150i	25	E12	219114410000	中拨叉	MIDDLE SHIFT FORK	1	
RFS150i	26	E12	219104410000	左拨叉	LEFT SHIFT FORK	1	

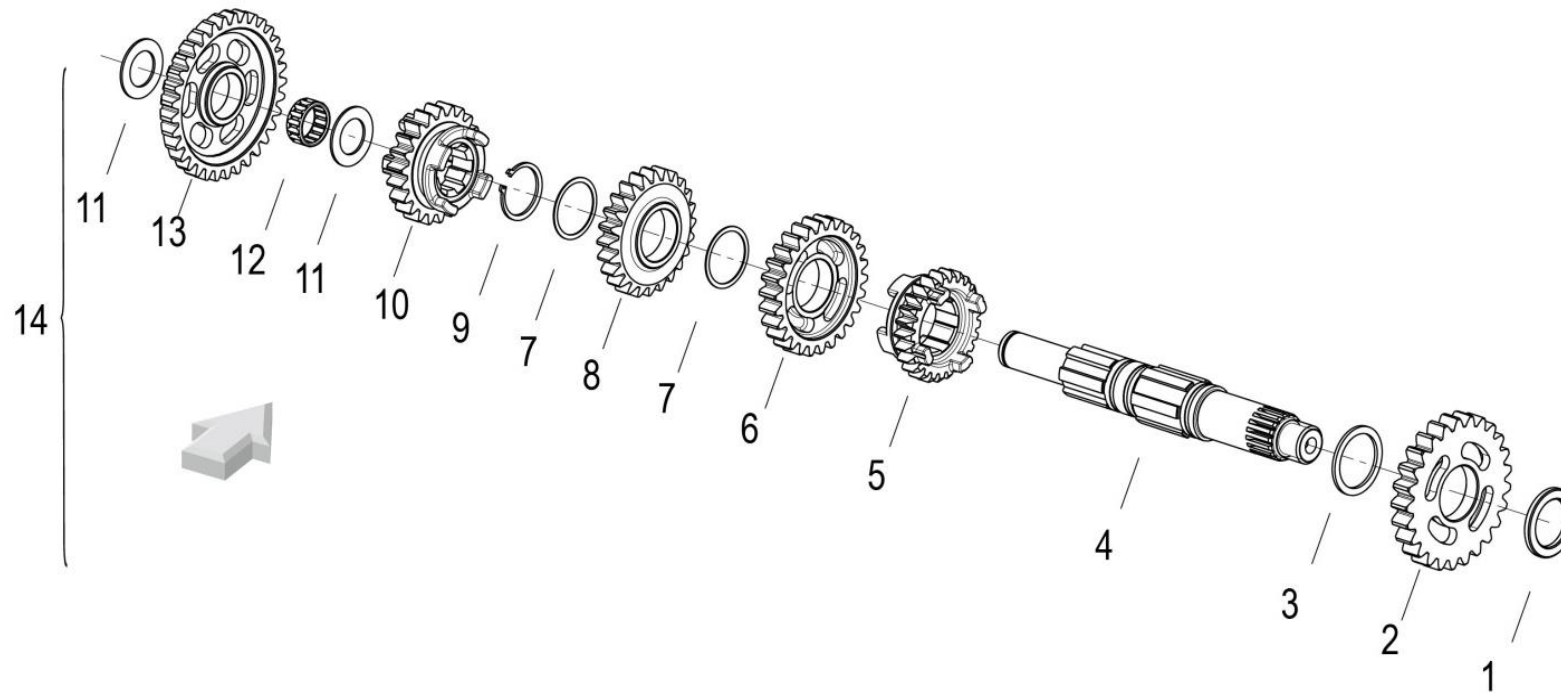


E13 PRIMARY SHAFT ASSY



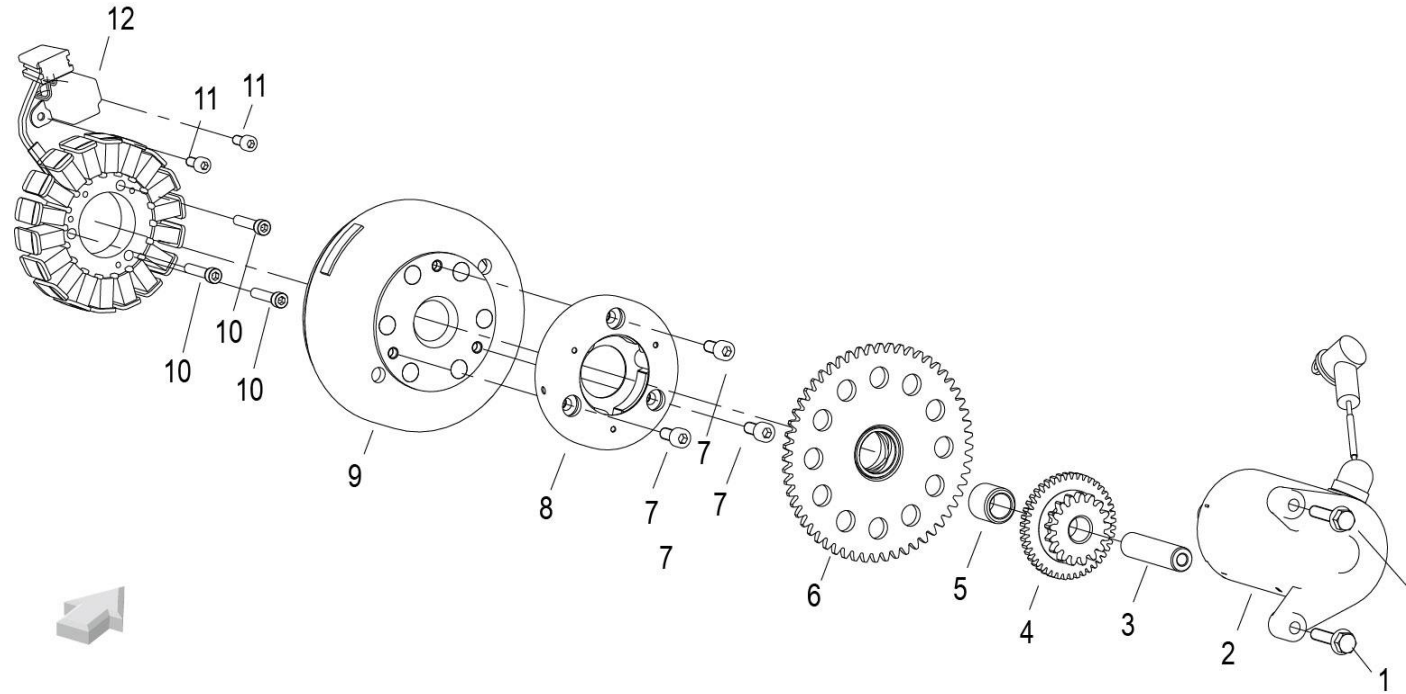
Model	NO.	Position No.	CODE	CN DESCRIPTION	EN DESCRIPTION	Qty/Unit	Remark
RFS150i	1	E13	219144410000	主轴	MAIN SHAFT	1	
RFS150i	2	E13	219193390000	主轴五挡齿轮	PRIMARY SHAFT GEAR 5	1	
RFS150i	3	E13	210243090000	垫圈	WASHER	2	
RFS150i	4	E13	210023070000	挡圈φ20	CIRCLIP	2	
RFS150i	5	E13	210023390000	主动三、四挡齿轮	PRIMARY SHAFT GEAR 3&4	1	
RFS150i	6	E13	219203390000	主轴六挡齿轮	PRIMARY SHAFT GEAR 6	1	
RFS150i	7	E13	219163390000	主轴二挡齿轮	PRIMARY SHAFT GEAR 2	1	
RFS150i	8	E13	219134410000	主轴组件	PRIMARY SHAFT ASSY	1	
RFS150i	9	E13	210043090000	堵柱	PLUG	1	

E14 COUNTERSHAFT ASSY



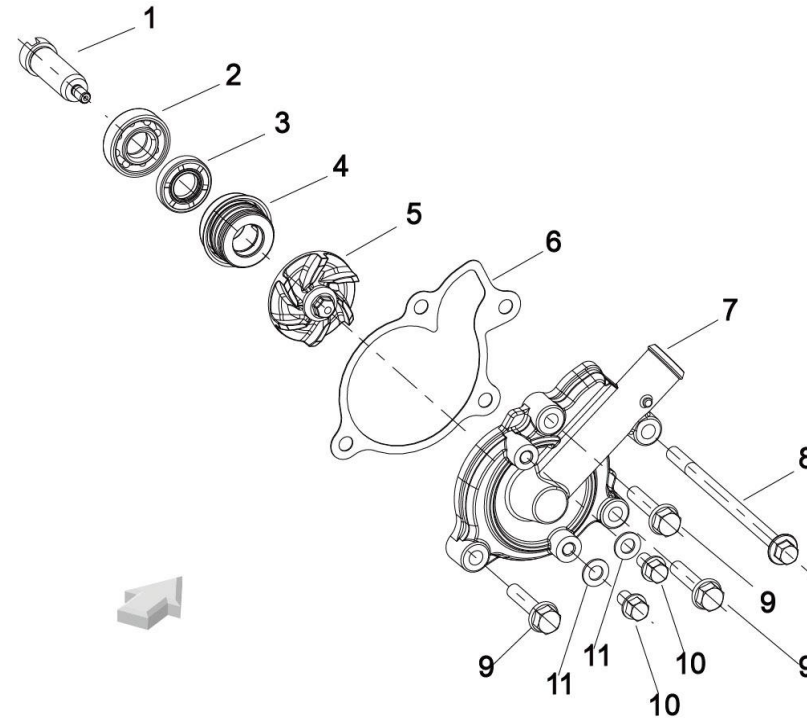
Model	NO.	Position No.	CODE	CN DESCRIPTION	EN DESCRIPTION	Qty/Unit	Remark
RFS150i	1	E14	210013390000	垫片20	WASHER 20	1	
RFS150i	2	E14	219243090000	副轴二挡齿轮	COUNTERSHAFT GEAR 2	1	
RFS150i	3	E14	210033390000	垫片23	WASHER 30	1	
RFS150i	4	E14	219224410000	副轴	COUNTERSHAFT	1	
RFS150i	5	E14	219283390000	副轴六挡齿轮	COUNTERSHAFT GEAR 6	1	
RFS150i	6	E14	219253390000	副轴三挡齿轮	COUNTERSHAFT GEAR 3	1	
RFS150i	7	E14	210043390000	垫片22	WASHER 22	2	
RFS150i	8	E14	219263390000	副轴四挡齿轮	COUNTERSHAFT GEAR 4	1	
RFS150i	9	E14	210053390000	挡圈22	CIRCLIP 22	1	
RFS150i	10	E14	219273390000	副轴五挡齿轮	COUNTERSHAFT GEAR 5	1	
RFS150i	11	E14	210133090000	止推垫圈 (内) 15	THRUSH WASHER 15	2	
RFS150i	12	E14	210463090000	滚针轴承	NEEDLE BEARING	1	
RFS150i	13	E14	219233090000	副轴一档齿轮	COUNTERSHAFT GEAR 1	1	
RFS150i	14	E14	219214410000	副轴组合	COUNTERSHAFT ASSY	1	ALT: 219215300000 + 219135300000

E15 ELECTRIC STARTER ASSY



Model	NO.	Position No.	CODE	CN DESCRIPTION	EN DESCRIPTION	Qty/Unit	Remark
RFS150i	1	E15	B0107060286H	螺栓M6x28	BOLT M6x28	2	
RFS150i	2	E15	249013210140	起动电机组件	STARTER MOTOR ASSY	1	
RFS150i	3	E15	240023090000	销轴	DOWEL PIN	1	
RFS150i	4	E15	249043090000	起动惰轮	GEAR,STARTER IDLER	1	
RFS150i	5	E15	240013090000	衬套	SLEEVE	1	
RFS150i	6	E15	240043090020	传动齿轮	GEAR,STARTER DRIVEN	1	
RFS150i	7	E15	B0205060146H	内六角螺钉 M6x14	SCREW M6x14	3	
RFS150i	7	E15	240025140000	螺钉 M8	SCREW M8 ( start Vin ZBNL2600XKBA39970 )	3	
RFS150i	8	E15	249093230040	星轮组合	SPROCKET UNIT	1	
RFS150i	8	E15	249093230050	星轮组合	GEAR,STARTER ( start Vin ZBNL2600XKBA39970)	1	
RFS150i	9	E15	299024180010	飞轮组合	FLY WHEEL ASSY	1	
RFS150i	9	E15	299024180060	飞轮组合	FLY WHEEL ASSY ( start Vin ZBNL2600XKBA39970)	1	
RFS150i	10	E15	B0205050256H	内六角螺钉 M5x25	SCREW M5x25	3	
RFS150i	11	E15	B02050401063	内六角圆柱头螺钉 M4x10	SCREW M4x10	2	
RFS150i	12	E15	299033090000	定子组合	COIL ASSY	1	

E16 WATER PUMP ASSY



Model	NO.	Position No.	CODE	CN DESCRIPTION	EN DESCRIPTION	Qty/Unit	Remark
RFS150i	1	E16	279224460010	水泵轴	IMPELLER SHAFT	1	
RFS150i	1	E16	279224460020	水泵轴	IMPELLER SHAFT ( start vin ZBNL26009JB968057 )	1	
RFS150i	2	E16	B12016000100	轴承6001	BEARING 6001	1	
RFS150i	3	E16	270153160000	油封	OIL SEAL	1	
RFS150i	4	E16	270216030000	EKK水封组件	EKK SEAL COMPONENTS	1	
RFS150i	5	E16	279214460000	水泵叶轮	IMPELLER	1	
RFS150i	6	E16	279344460000	垫片	GASKET	1	
RFS150i	7	E16	279334460010	水泵盖(钱江灰)	WATER PUMP COVER,GREY	1	
RFS150i	7	E16	27933446JN01	水泵盖(电镀金)	WATER PUMP COVER,GOLDEN	1	
RFS150i	8	E16	B0107061056H	螺栓M6x105	BOLT M6x105	1	
RFS150i	9	E16	B0107060286H	螺栓M 6 x 2 8	BOLT M 6 x 2 8	3	
RFS150i	10	E16	B0107060106H	螺栓M 6 x 1 0	BOLT M 6 x 1 0	2	
RFS150i	11	E16	150013070000	定位垫片6	WASHER 6	2	